



US00D806406S

(12) **United States Design Patent**
Malhotra et al.

(10) **Patent No.:** **US D806,406 S**
(45) **Date of Patent:** **** Jan. 2, 2018**

(54) **HANGER SYSTEM**
(71) Applicants: **Deepak Malhotra**, Newton, MA (US);
Sung W. Min, Los Angeles, CA (US)
(72) Inventors: **Deepak Malhotra**, Newton, MA (US);
Sung W. Min, Los Angeles, CA (US)
(**) Term: **15 Years**

3,459,348 A * 8/1969 Masson A47G 25/34
223/87
3,477,623 A * 11/1969 Milette A47G 25/36
223/88
4,364,496 A 12/1982 Bridgeman
5,868,289 A * 2/1999 Lee A47G 25/36
223/85
5,927,571 A 7/1999 Richards
6,041,985 A * 3/2000 Balser A47G 25/16
223/88

(Continued)

(21) Appl. No.: **29/573,583**
(22) Filed: **Aug. 8, 2016**
(51) **LOC (11) Cl.** **06-08**
(52) **U.S. Cl.**
USPC **D6/319**
(58) **Field of Classification Search**
USPC D6/315-328; 211/13, 85.3, 113
CPC A47G 25/28; A47G 25/32; A47G 25/487;
A47G 25/26; A47G 25/4023; A47G
25/20; A47G 25/481; A47G 25/743;
A47G 25/442; A47G 25/30; A47G 25/48;
A47G 25/36; A47G 25/24; A47G 25/16;
A47G 25/14; A47G 25/40; A47G 25/52;
A47G 25/70; A47G 25/4038; A47G
25/1457; A47G 25/06; A47G 2025/484;
A47G 25/0685; A47G 25/34; A47G
25/0607; A47G 25/74
See application file for complete search history.

FOREIGN PATENT DOCUMENTS

FR 2607691 A1 6/1988
Primary Examiner — Lauren Calve
(74) *Attorney, Agent, or Firm* — Ballard Spahr LLP

(57) **CLAIM**

We claim the ornamental design for a hanger system, as shown and described.

DESCRIPTION

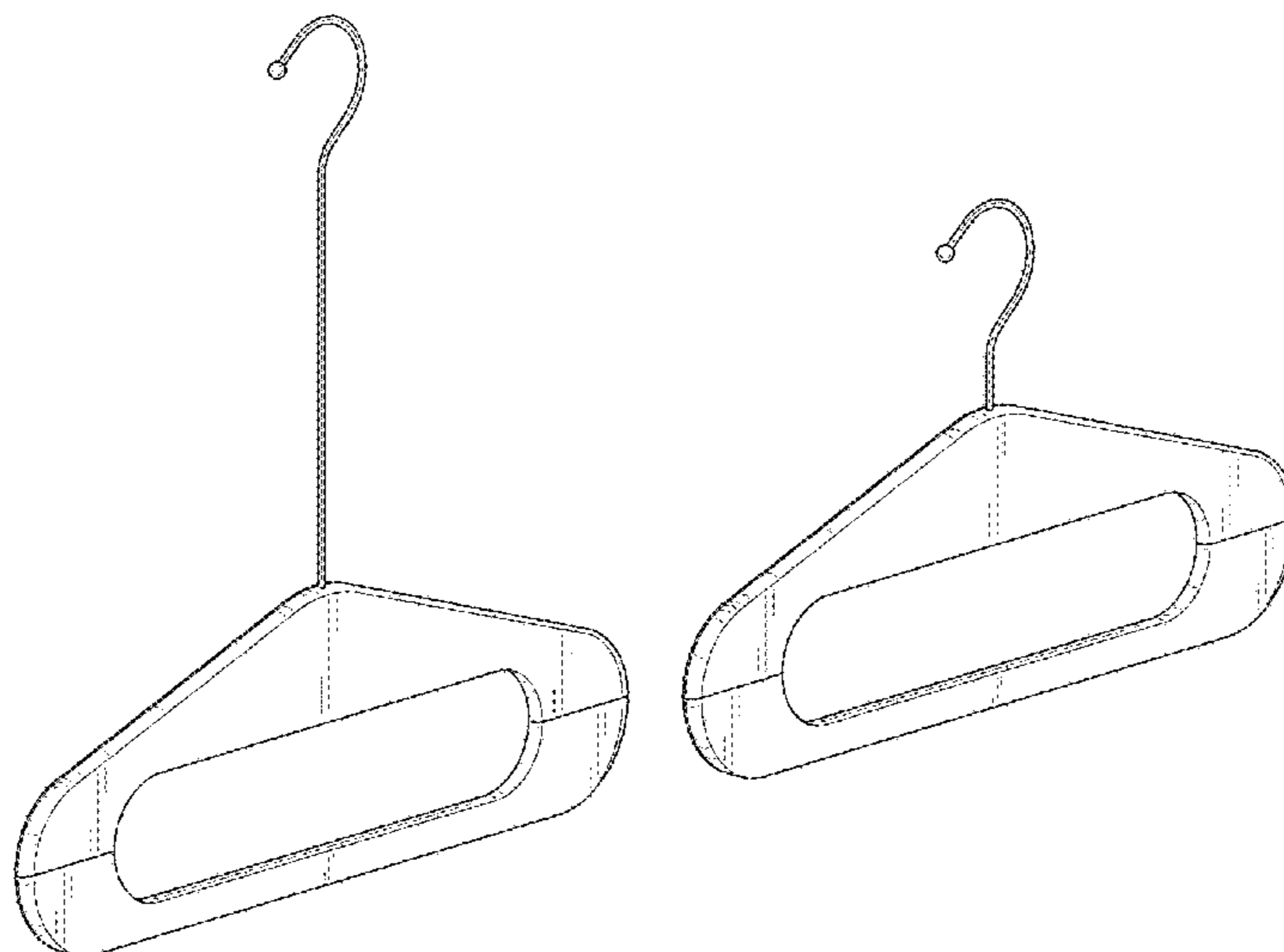
FIG. 1 is an isometric view of a hanger system according to our design;
FIG. 2 is a front view thereof;
FIG. 3 is a rear view thereof;
FIG. 4 is a left side view thereof;
FIG. 5 is a right side view thereof;
FIG. 6 is a top view thereof;
FIG. 7 is a bottom view thereof;
FIG. 8 is an isometric view of a hanger system according to a second embodiment;
FIG. 9 is a front view thereof;
FIG. 10 is a rear view thereof;
FIG. 11 is a left side view thereof;
FIG. 12 is a right side view thereof;
FIG. 13 is a top view thereof; and,
FIG. 14 is a bottom view thereof.

(56) **References Cited**

U.S. PATENT DOCUMENTS

1,636,972 A * 7/1927 Ward A47G 25/28
223/87
2,645,357 A * 7/1953 Taylor A47G 25/18
211/106
2,917,212 A 12/1959 Parker
3,042,217 A * 7/1962 Shores D06F 73/00
211/119
3,171,576 A 3/1965 Allan
3,186,609 A * 6/1965 Patch A47G 25/20
223/88
D206,303 S * 11/1966 Louik 223/92

1 Claim, 10 Drawing Sheets



(56)

References Cited

U.S. PATENT DOCUMENTS

6,286,734 B1 * 9/2001 Schneider A47G 25/487
223/91
6,315,176 B1 * 11/2001 Abdi A47G 25/28
223/85
7,267,252 B2 * 9/2007 Goodman A47G 25/36
223/85
7,832,604 B2 11/2010 Gouldson
D642,388 S * 8/2011 Henderson D6/319
2010/0019003 A1 * 1/2010 Barnwell A47G 25/36
223/87
2011/0089202 A1 * 4/2011 Pakzad A47G 25/36
223/85
2011/0139832 A1 * 6/2011 Camp A47G 25/18
223/85
2011/0198373 A1 * 8/2011 Wong A47G 25/32
223/85

* cited by examiner

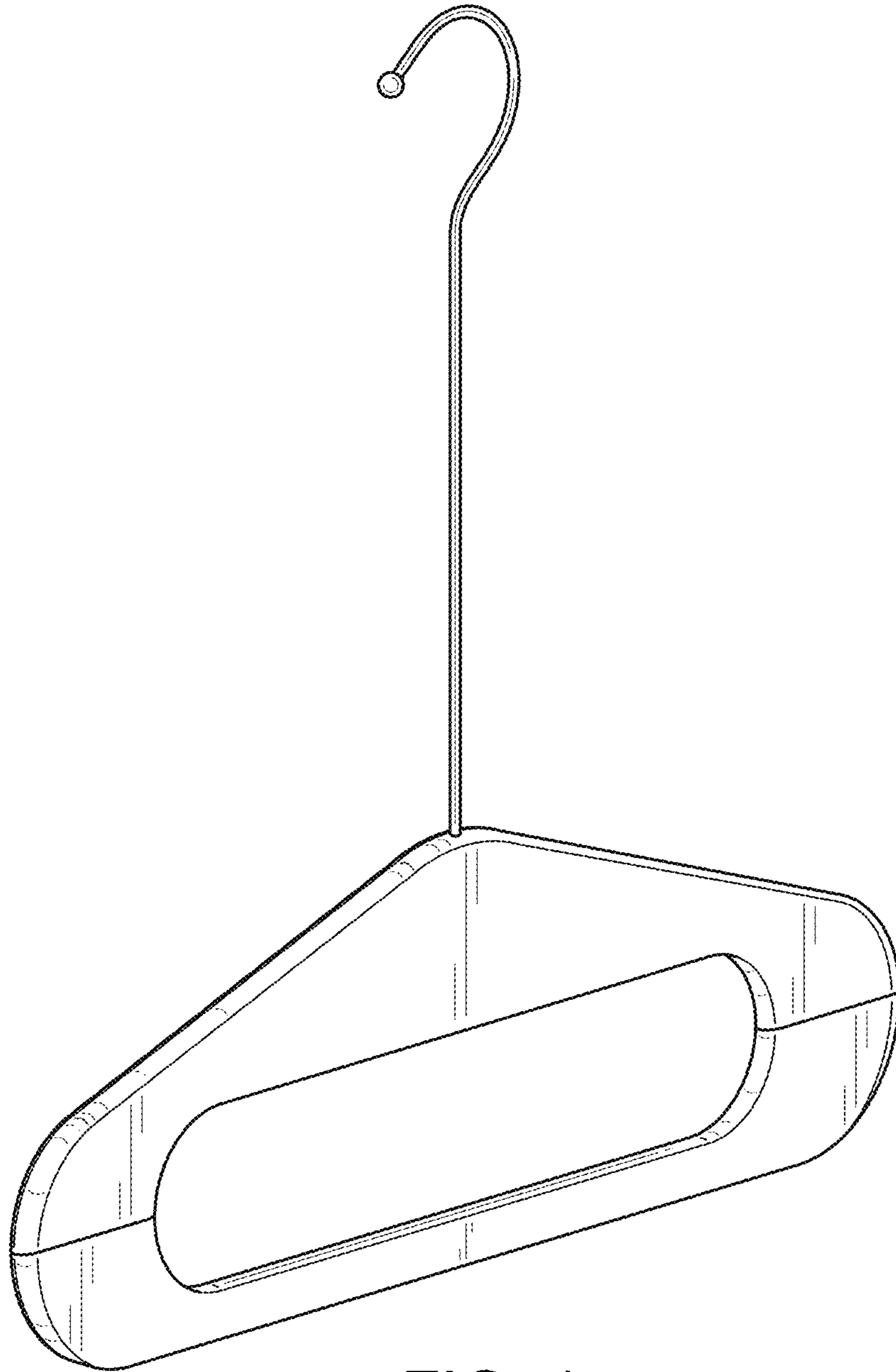


FIG. 1

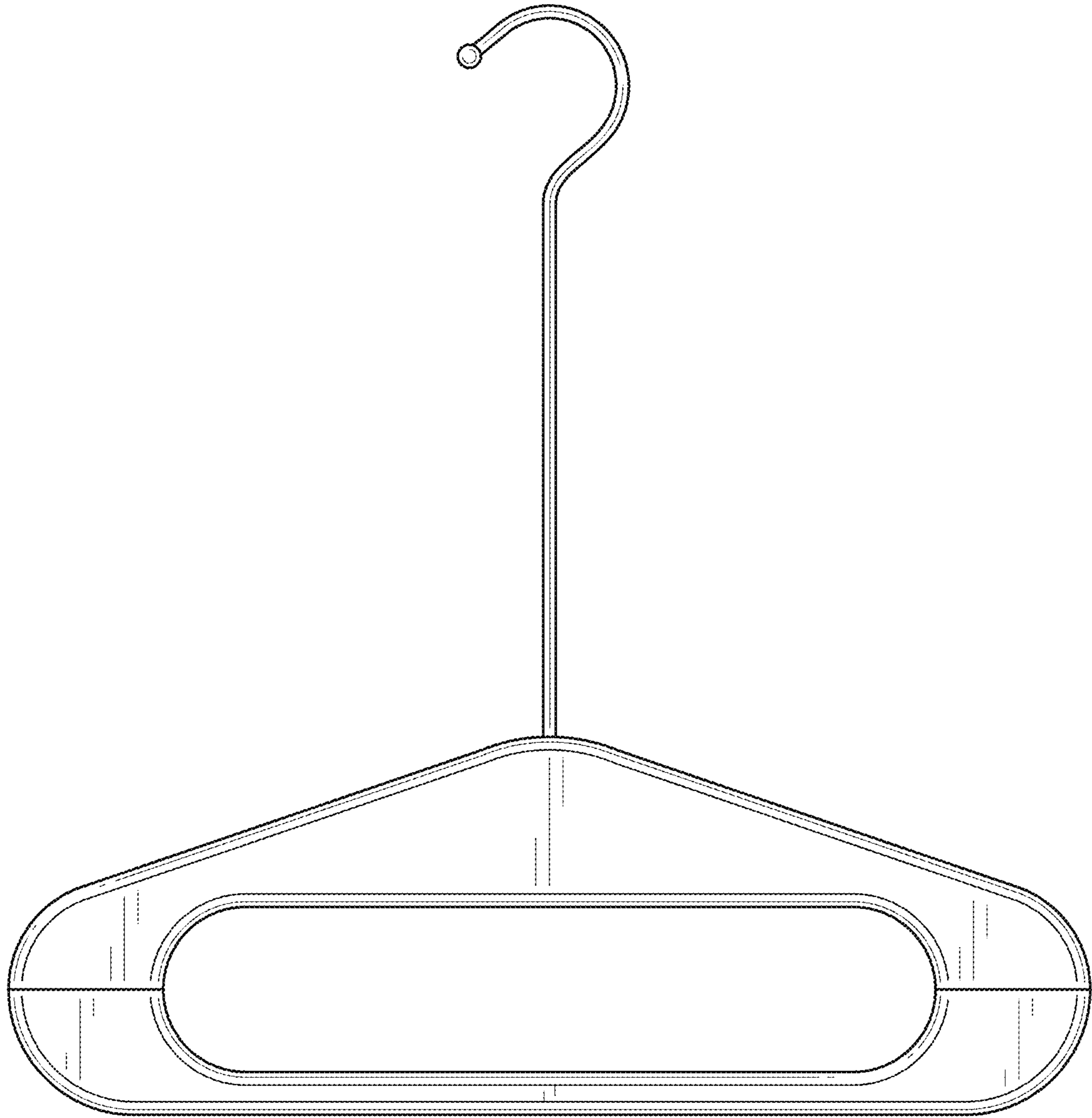


FIG. 2

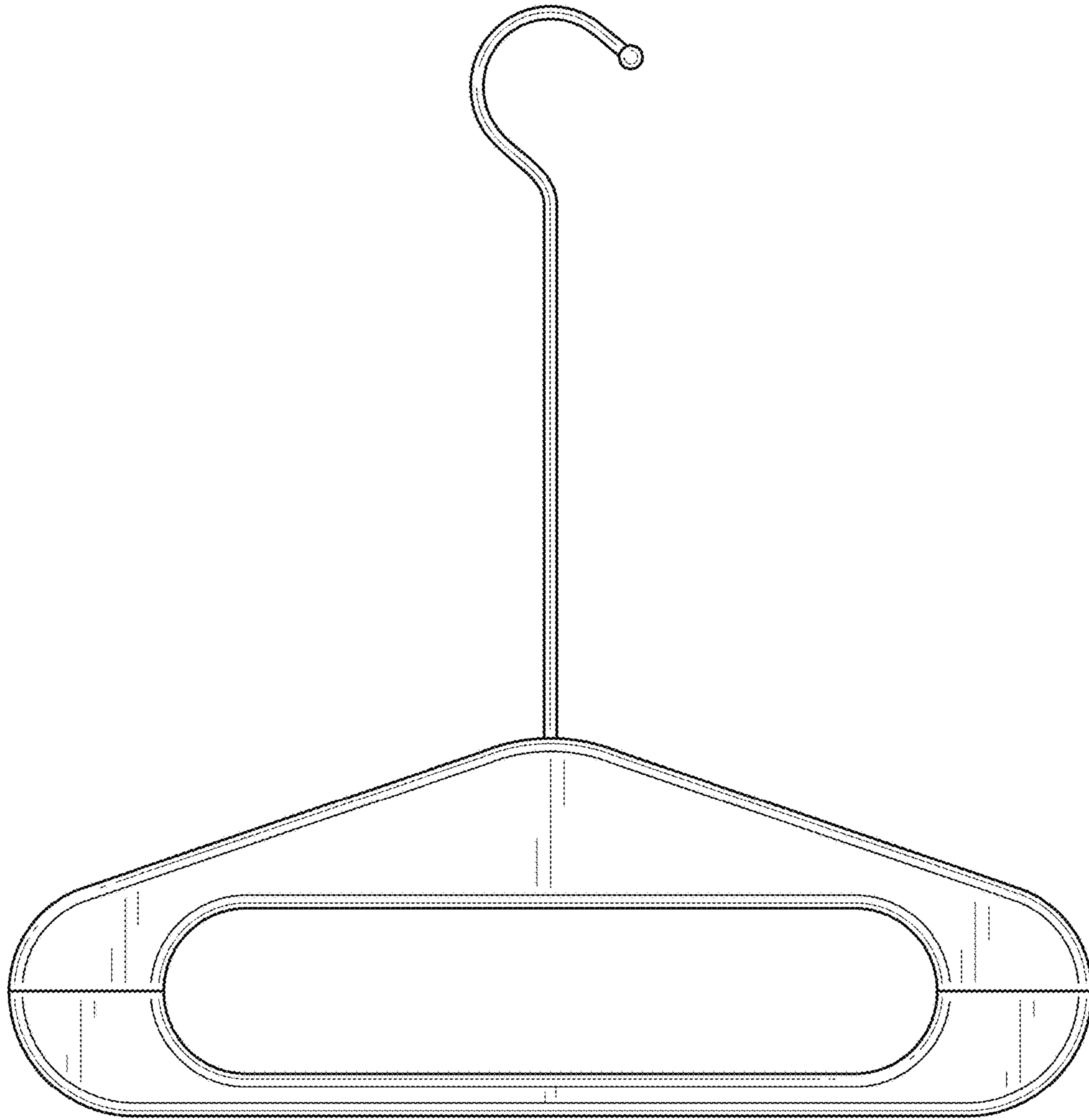


FIG. 3

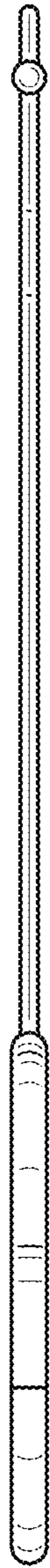


FIG. 4

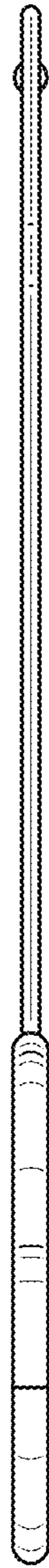


FIG. 5

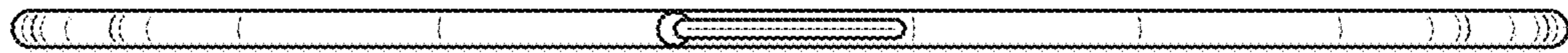


FIG. 6

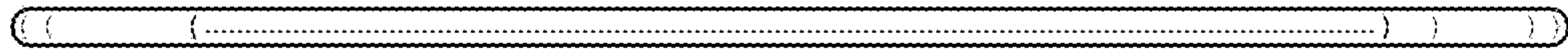


FIG. 7

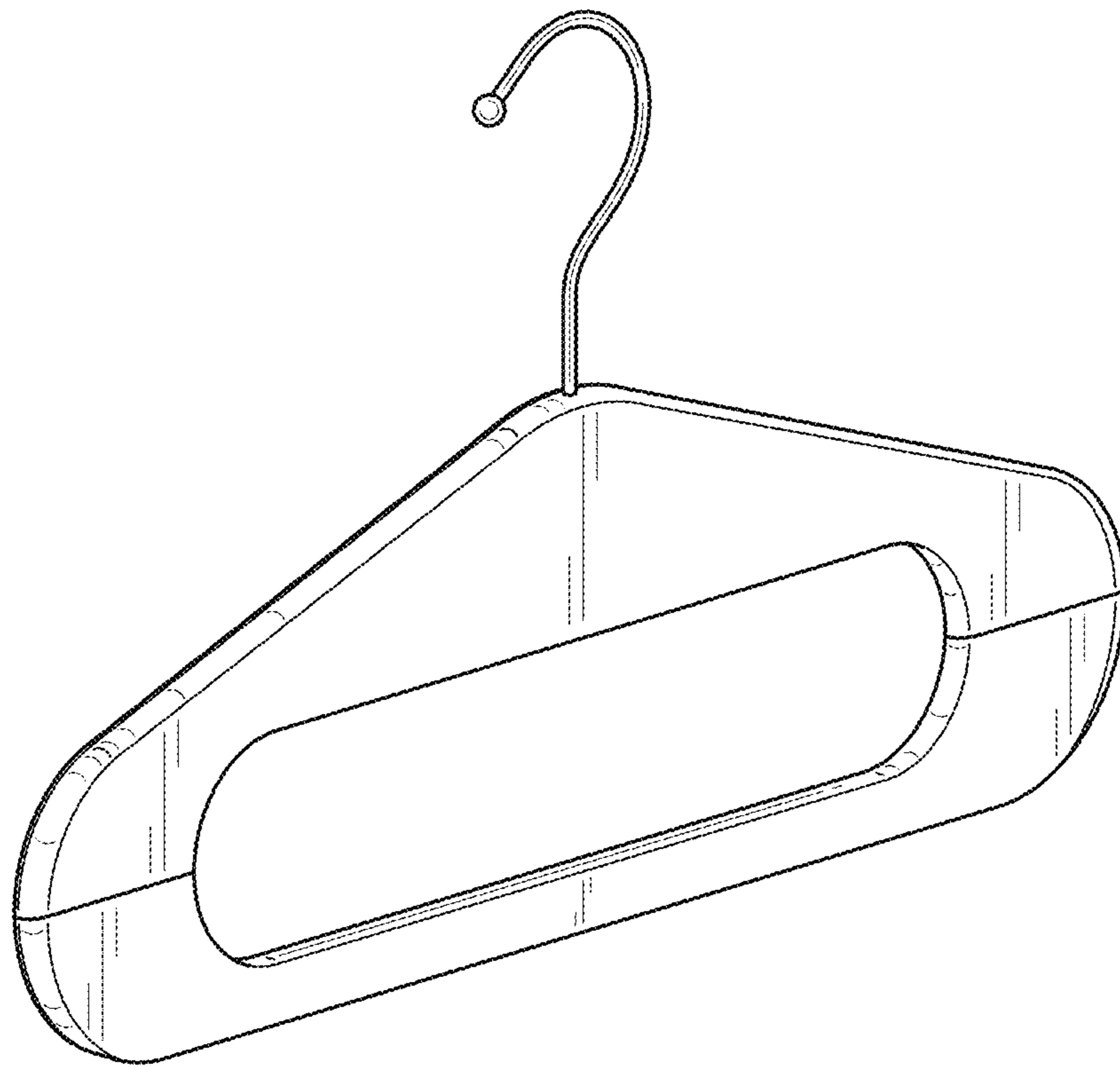


FIG. 8

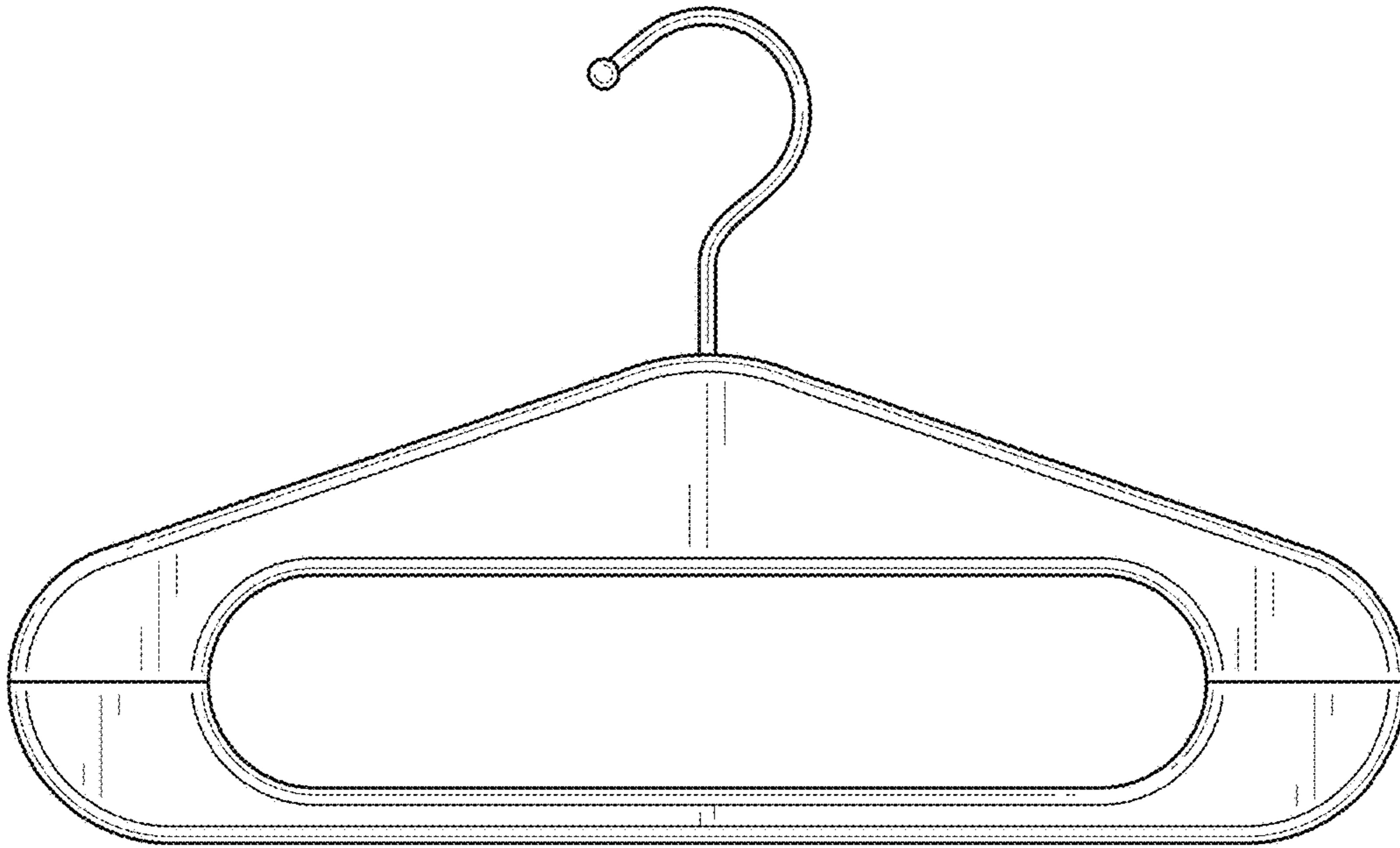


FIG. 9

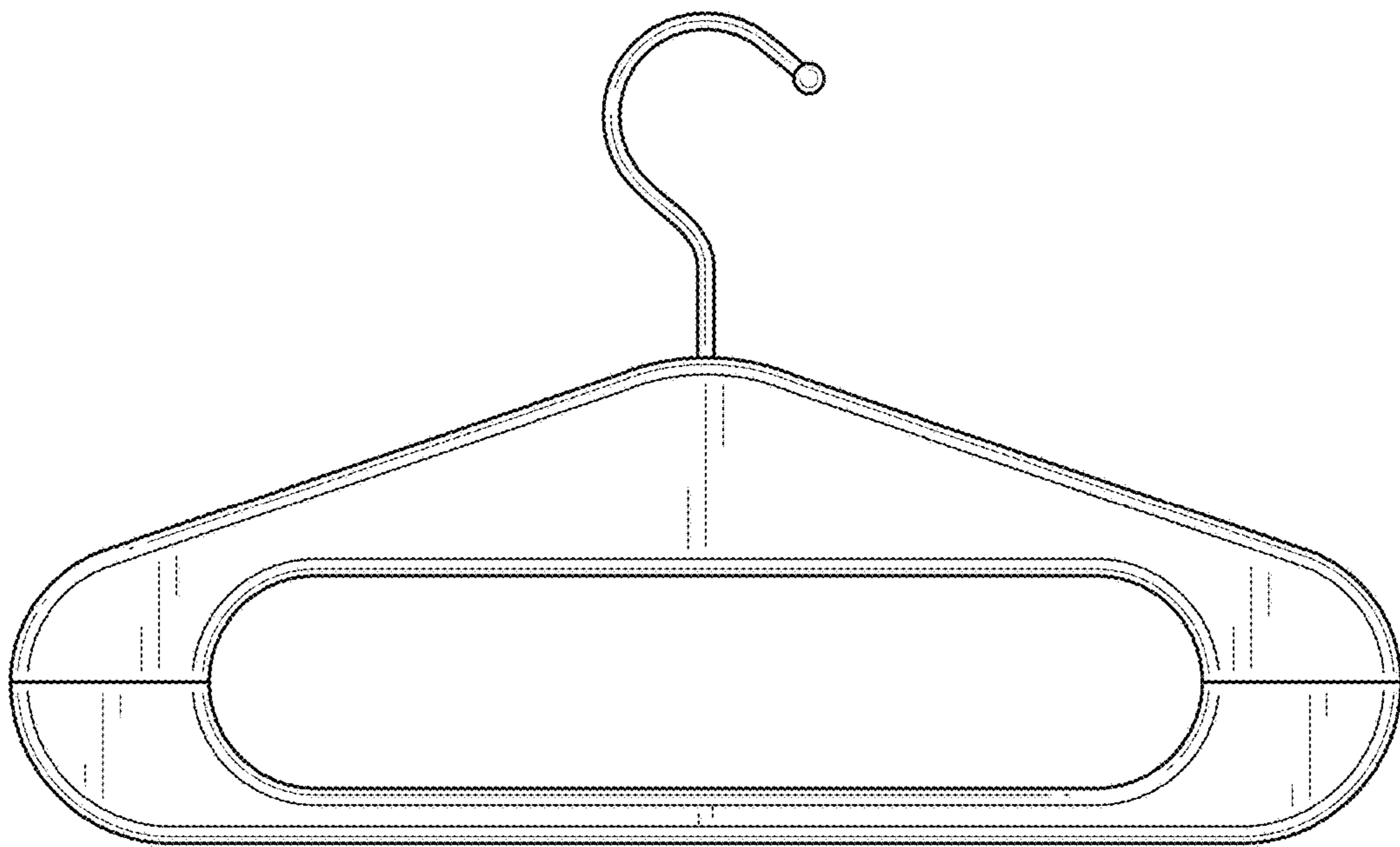


FIG. 10



FIG. 11



FIG. 12

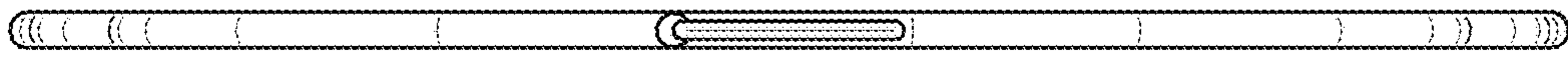


FIG. 13

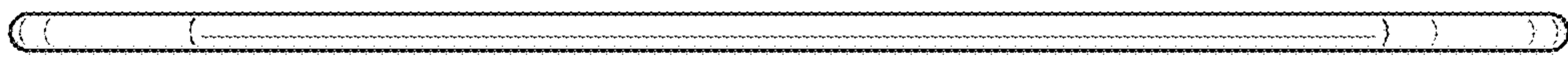


FIG. 14