



US00D806401S

(12) **United States Design Patent**
Hartman et al.

(10) **Patent No.:** **US D806,401 S**
(45) **Date of Patent:** **** Jan. 2, 2018**

- (54) **UNDERGARMENT HANGER**
- (71) Applicant: **Union Underwear Company, Inc.**,
Bowling Green, KY (US)
- (72) Inventors: **Mark Hartman**, Gallatin, TN (US);
Stacey Davenport, Bowling Green, KY
(US)
- (73) Assignee: **Union Underwear Company, Inc.**,
Bowling Green, KY (US)
- (**) Term: **15 Years**
- (21) Appl. No.: **29/604,883**
- (22) Filed: **May 22, 2017**

Related U.S. Application Data

- (62) Division of application No. 29/560,982, filed on Apr. 12, 2016, now Pat. No. Des. 787,203, which is a division of application No. 29/512,033, filed on Dec. 16, 2014, now Pat. No. Des. 753,924.
- (51) **LOC (11) Cl.** **06-08**
- (52) **U.S. Cl.**
USPC **D6/315**
- (58) **Field of Classification Search**
USPC D6/315-328; 223/85-98; 211/1, 13.1,
211/85.3, 113; 206/495; D9/415, 457
CPC A47G 25/28; A47G 25/32; A47G 25/487;
A47G 25/26; A47G 25/20; A47G 25/743;
A47G 25/30; A47G 25/36; A47G 25/14;
A47F 7/19; A47B 61/003; A47B 61/02;
A47B 5/04; Y10T 24/51; Y10T 24/3449;
Y10T 24/44017; Y10T 24/44752
See application file for complete search history.

(56) **References Cited**

U.S. PATENT DOCUMENTS

- 1,780,137 A * 10/1930 Lee B42D 15/08
229/74
- D182,057 S * 2/1958 Bauman 223/88

- 2,855,649 A * 10/1958 Kanter A47G 25/743
206/292
- 2,901,103 A * 8/1959 Brunner B42D 3/04
206/495
- 2,910,214 A * 10/1959 Gouner A47G 25/743
223/87
- 3,032,242 A * 5/1962 Roberts A47G 25/743
206/806

(Continued)

Primary Examiner — Lauren Calve

(74) *Attorney, Agent, or Firm* — Jeremy A. Smith; Nathan W. Johnson; Bradley Arant Boult Cummings LLP

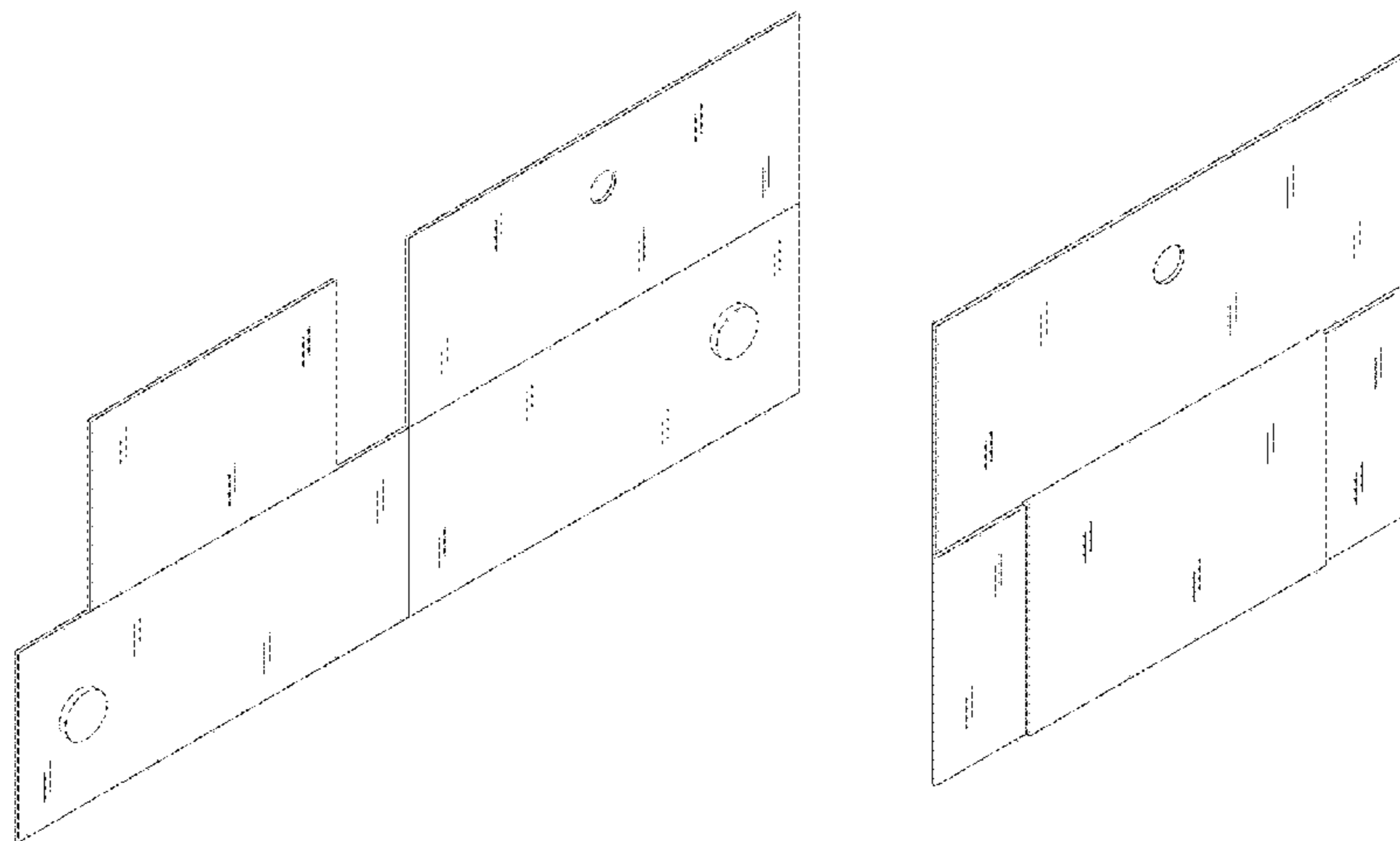
(57) **CLAIM**

The ornamental design for an undergarment hanger, as shown and described.

DESCRIPTION

FIG. 1 is a front perspective view of an undergarment hanger.
 FIG. 2 is a rear perspective view thereof.
 FIG. 3 is a front perspective view of the undergarment hanger shown in a partially folded position.
 FIG. 4 is a rear perspective view of the undergarment hanger shown in a second partially folded position.
 FIG. 5 is a front perspective view of the undergarment hanger shown in a folded position.
 FIG. 6 is a second perspective view thereof.
 FIG. 7 is a rear perspective view thereof.
 FIG. 8 is a second rear perspective view thereof.
 FIG. 9 is a front view of the undergarment hanger of FIG. 1 shown in environmental use.
 FIG. 10 is a rear view thereof.
 FIG. 11 is a front view of the undergarment hanger of FIG. 5; and,
 FIG. 12 is a rear view thereof.
 The broken lines shown represent unclaimed subject matter and form no part of the claimed design.

1 Claim, 7 Drawing Sheets



(56)

References Cited

U.S. PATENT DOCUMENTS

D193,256 S * 7/1962 Silver D6/315
 3,112,848 A * 12/1963 Peach A47G 25/36
 223/95
 3,246,812 A * 4/1966 Walker A47G 25/36
 223/87
 3,329,386 A * 7/1967 Rosen B65D 85/18
 206/299
 3,370,765 A * 2/1968 Jossem A47G 25/743
 223/87
 3,414,175 A * 12/1968 Brosk A47F 5/0006
 206/216
 3,458,093 A * 7/1969 Bacharach A47G 25/20
 223/87
 3,841,478 A * 10/1974 Wells B65D 33/14
 206/335
 D235,316 S * 6/1975 Wells D6/327
 3,997,091 A * 12/1976 Burnette B65D 73/0064
 206/296
 D264,789 S * 6/1982 Zyla D6/315
 D268,811 S * 5/1983 Black D24/145
 D282,790 S * 3/1986 Morawski D6/327
 5,452,802 A * 9/1995 Green B65D 75/004
 206/461
 D368,168 S * 3/1996 Bennett D6/320

D368,590 S * 4/1996 Charlet D6/315
 D368,591 S * 4/1996 Doyle, III D6/315
 6,622,858 B1 * 9/2003 Wilkinson B65D 73/0078
 206/299
 6,651,810 B2 * 11/2003 Nichol, Jr. B65D 85/18
 206/278
 D502,010 S * 2/2005 Starr D6/323
 D570,679 S * 6/2008 Emery D9/415
 7,441,678 B2 * 10/2008 Ford B65D 73/0071
 206/292
 8,286,882 B2 * 10/2012 Norman G06K 19/07758
 206/5
 8,425,391 B2 * 4/2013 Branger B65D 5/4208
 206/288
 8,678,251 B2 * 3/2014 Norman A47F 5/0006
 223/85
 9,004,276 B2 * 4/2015 Brown B65D 85/54
 206/335
 D753,924 S * 4/2016 Hartman D6/315
 D787,203 S * 5/2017 Hartman D6/315
 2007/0068981 A1 * 3/2007 Koeda A47G 25/36
 223/94
 2007/0119880 A1 * 5/2007 Fitzgerald A47F 5/0006
 223/85
 2010/0326935 A1 * 12/2010 Noble A47F 5/0006
 211/85.3

* cited by examiner

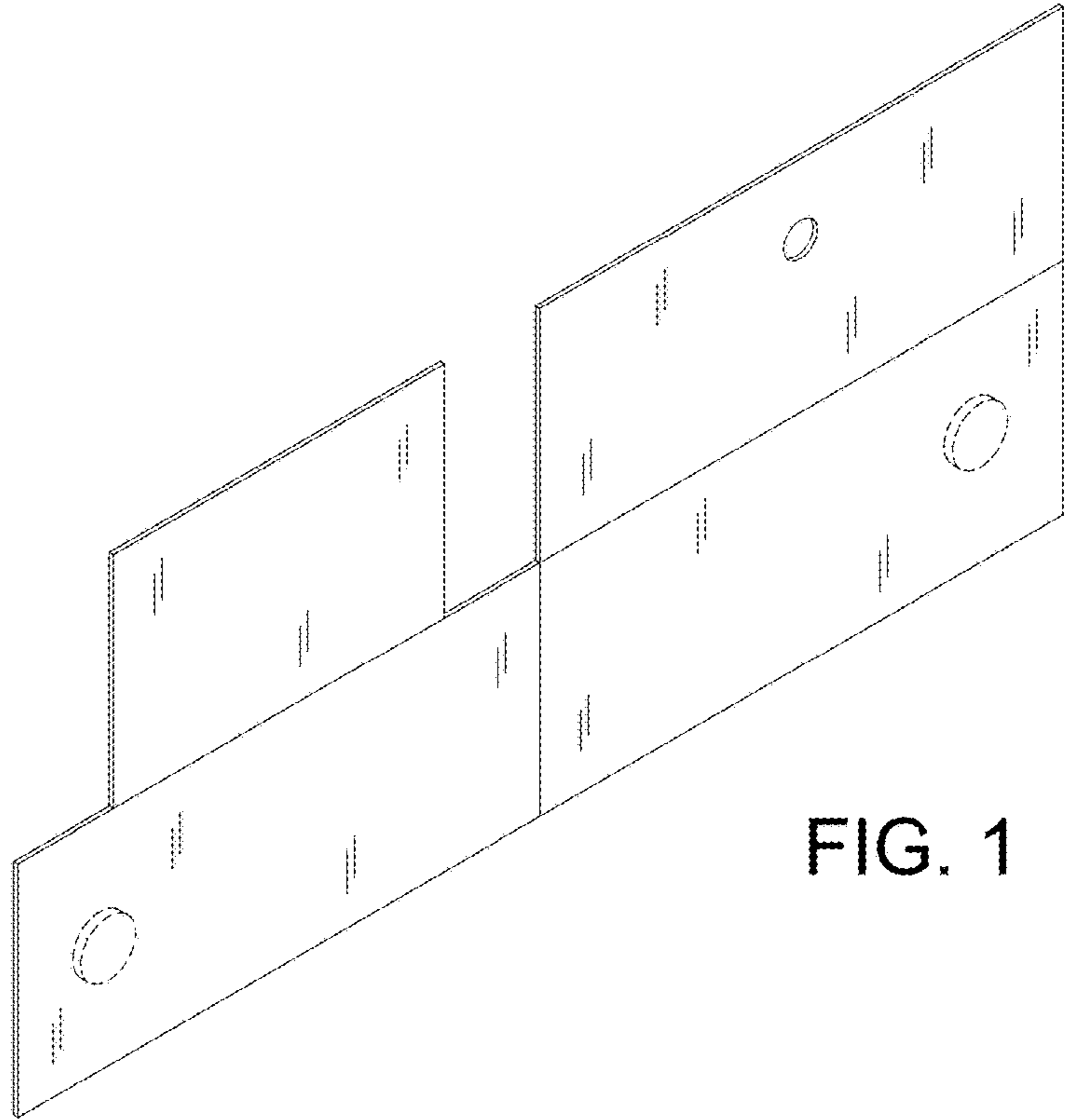


FIG. 1

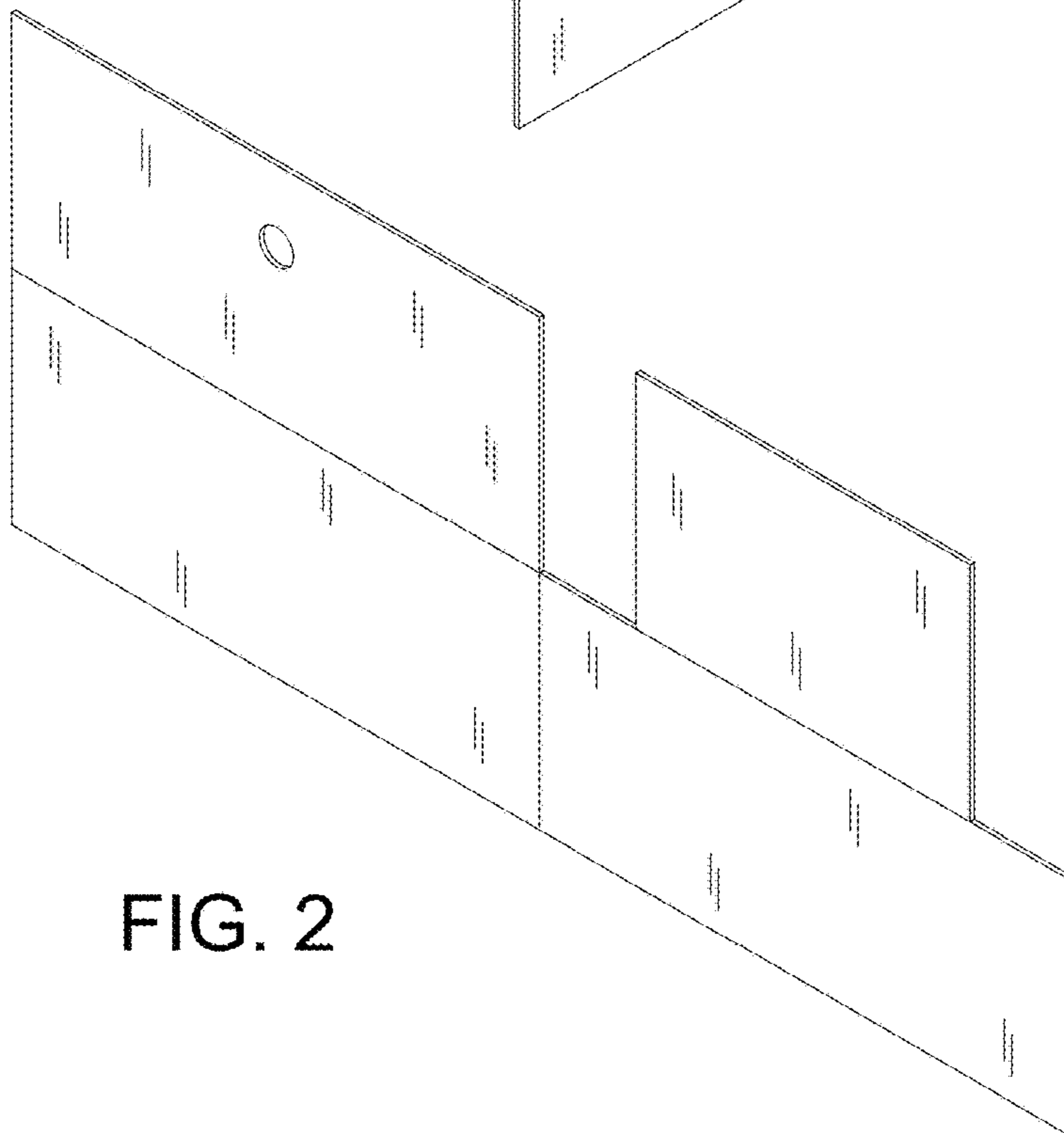


FIG. 2

FIG. 3

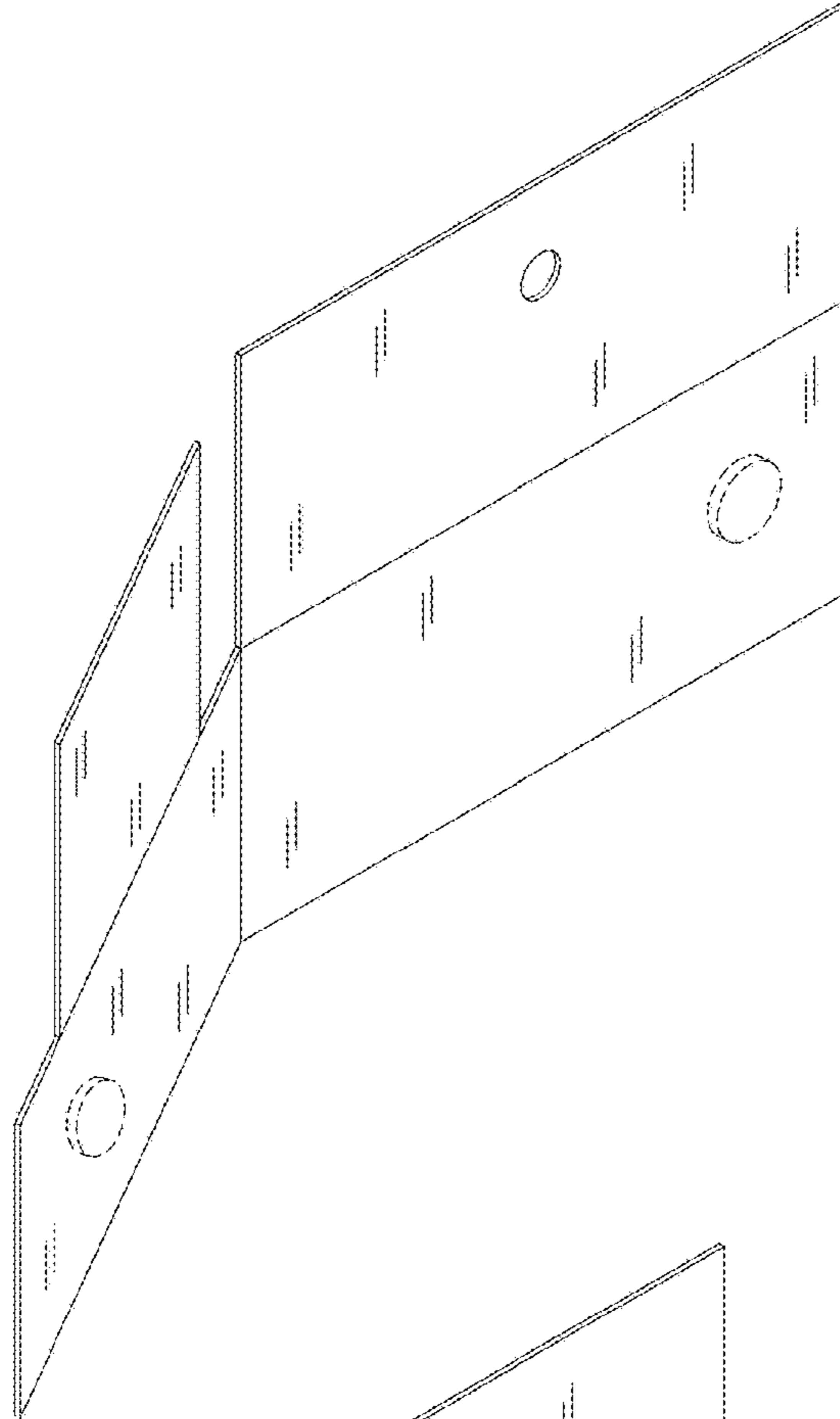


FIG. 4

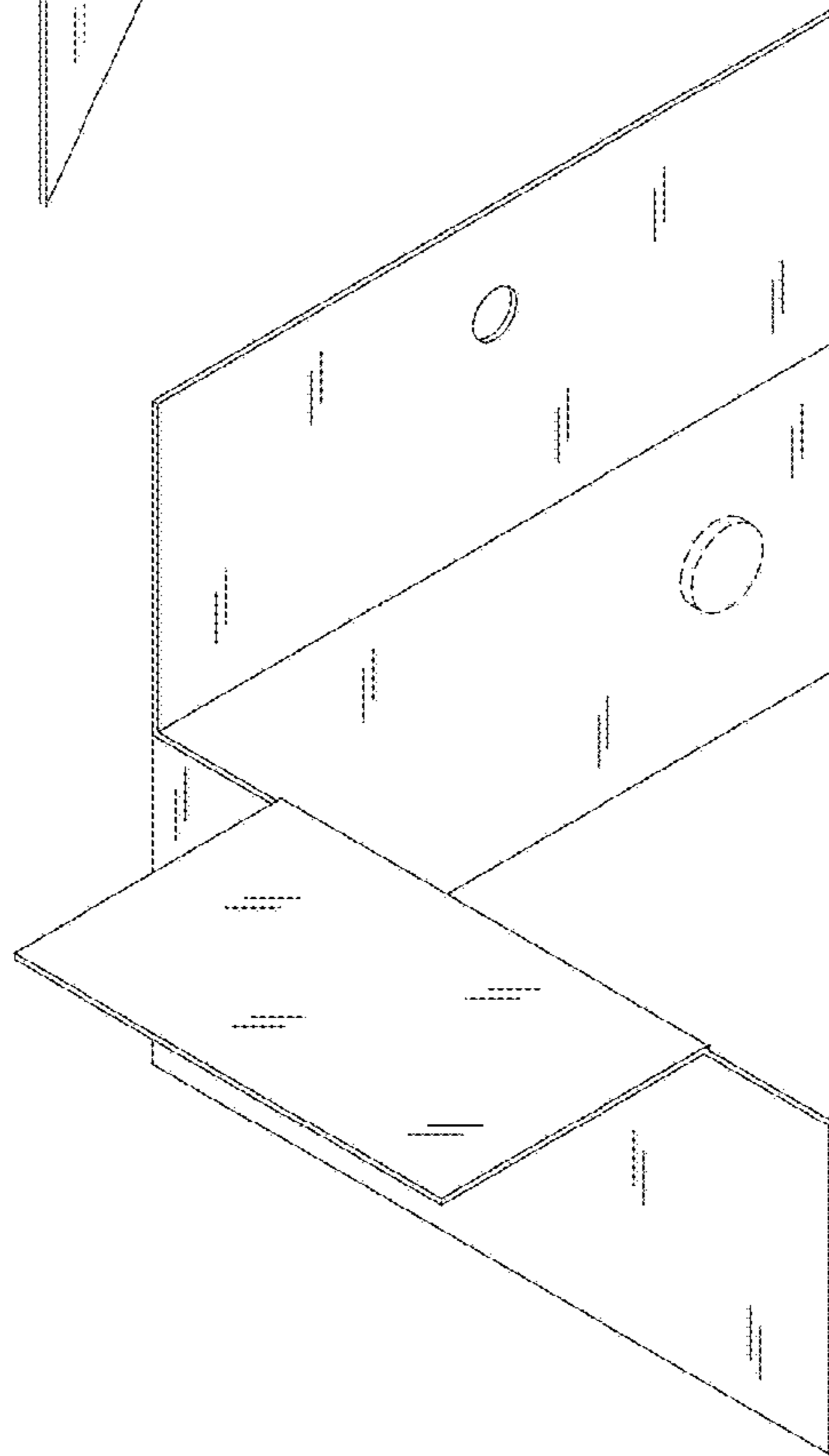


FIG. 5

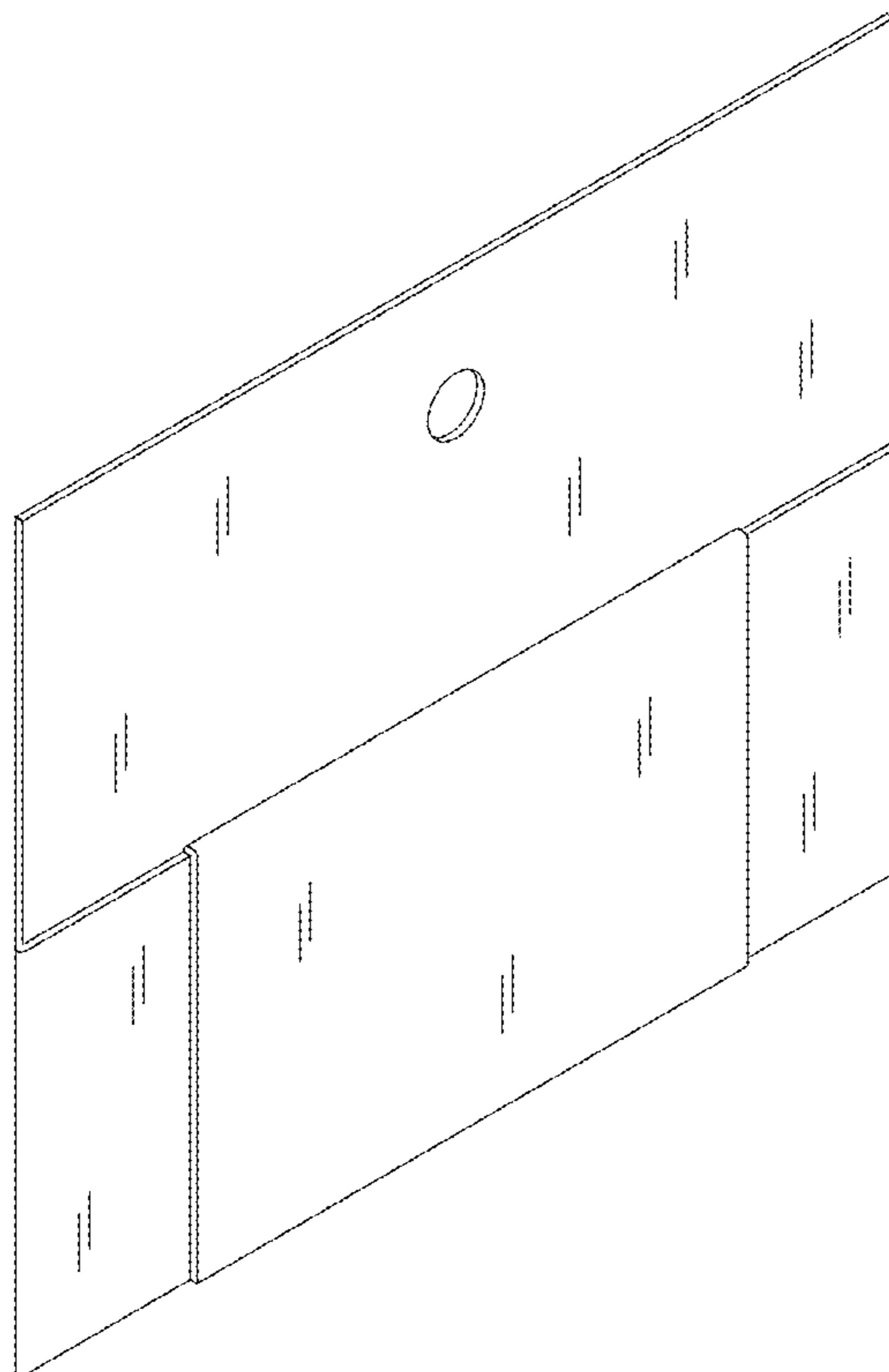


FIG. 6

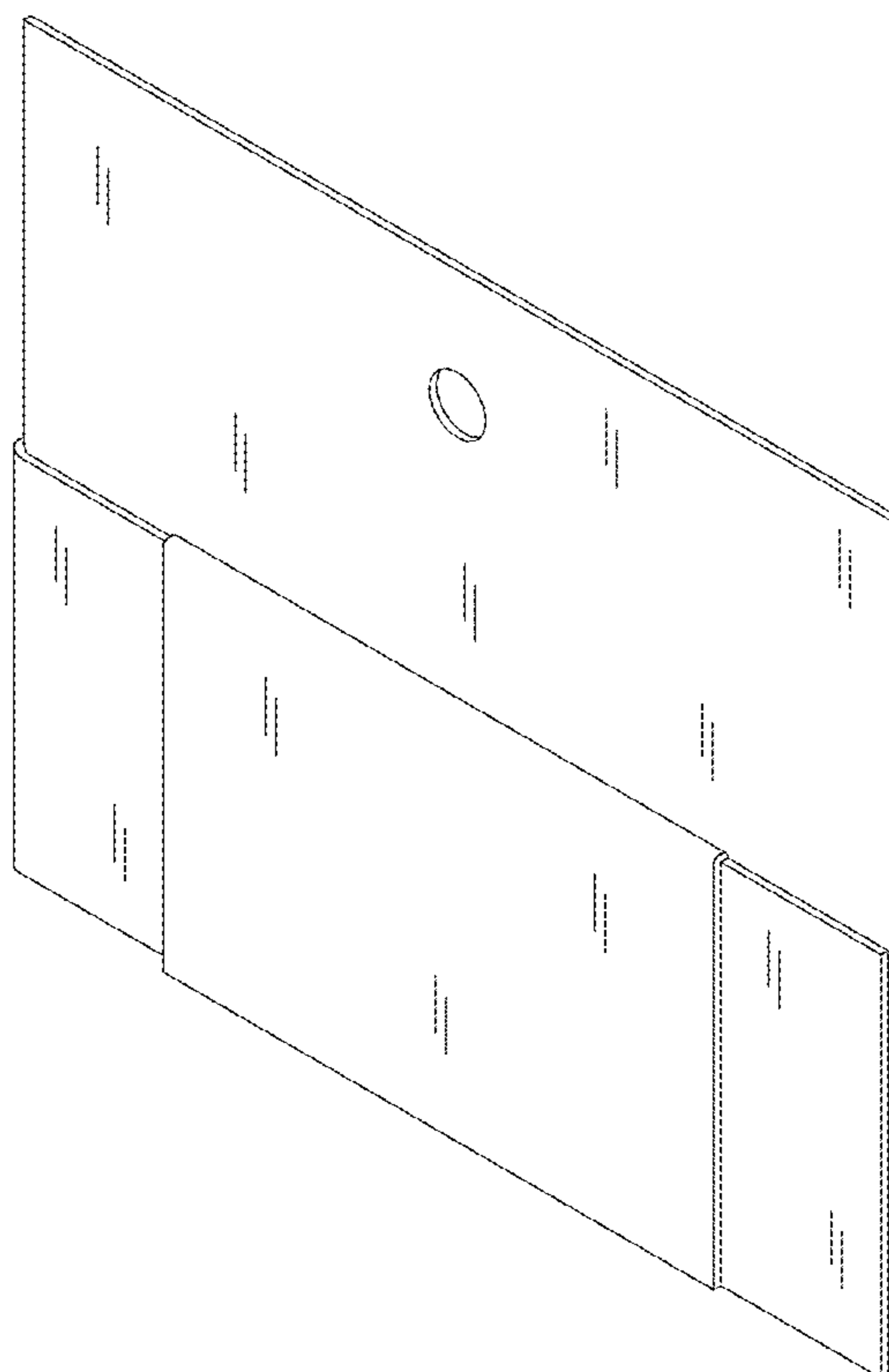


FIG. 7

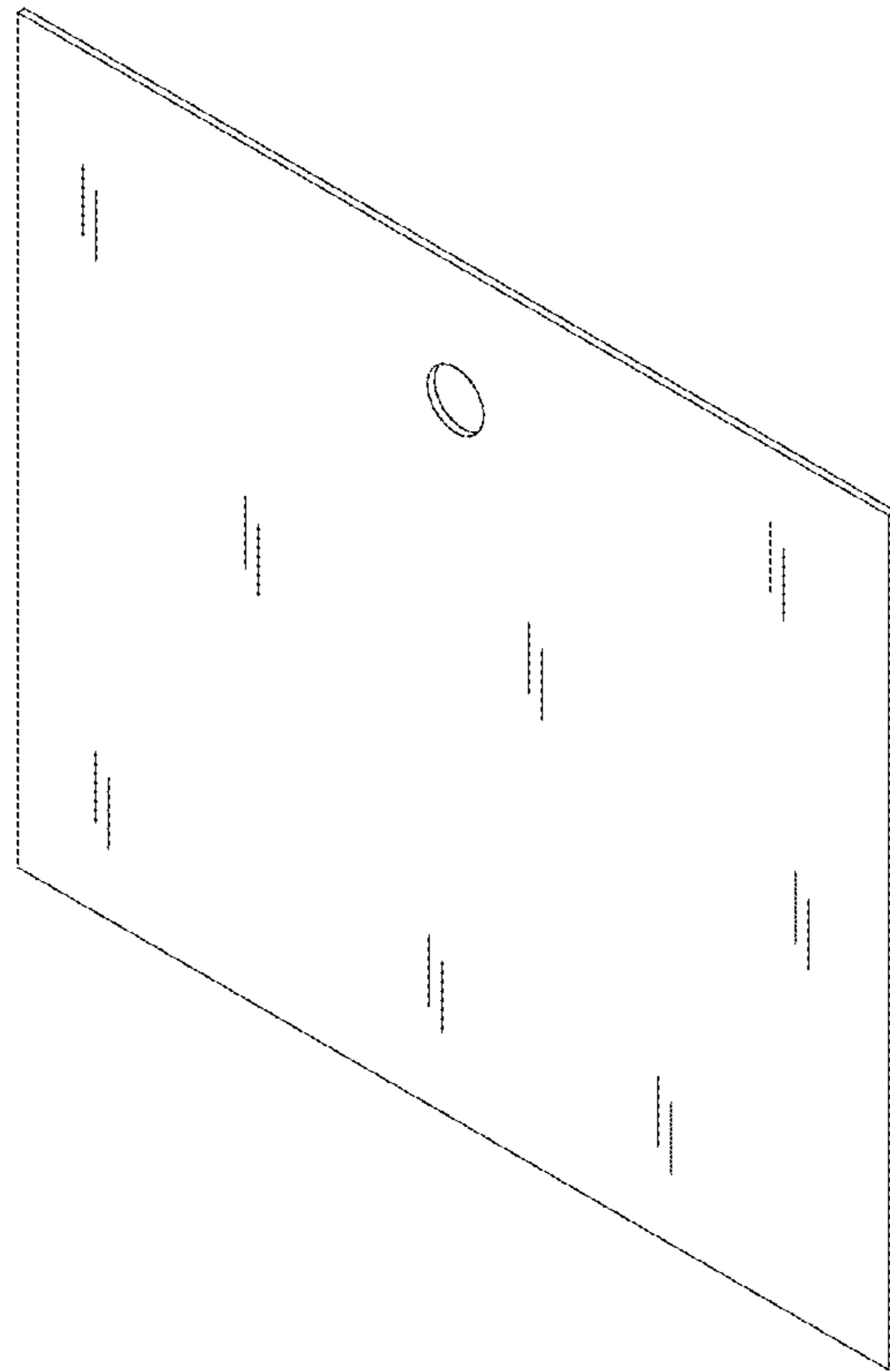
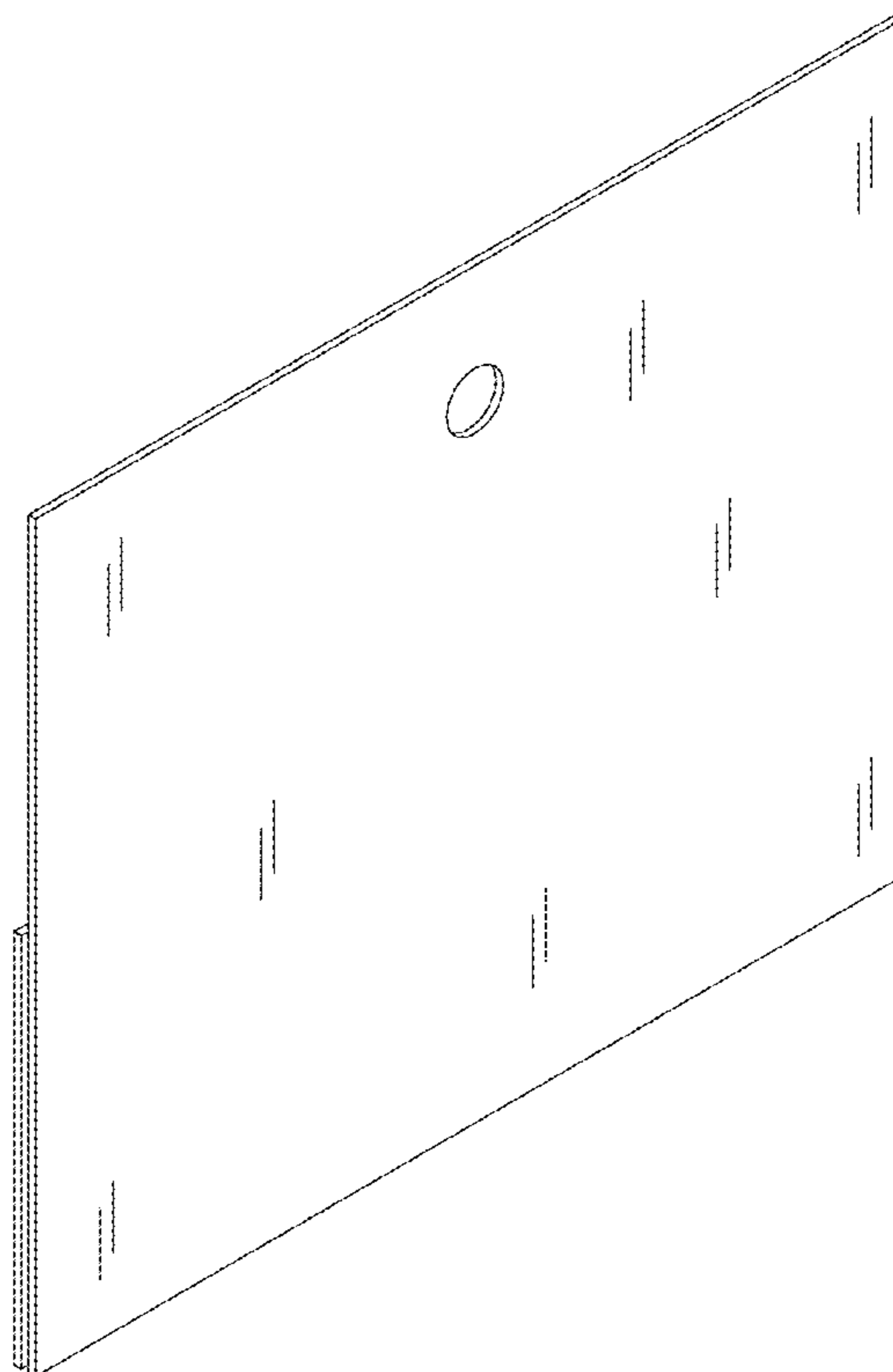


FIG. 8



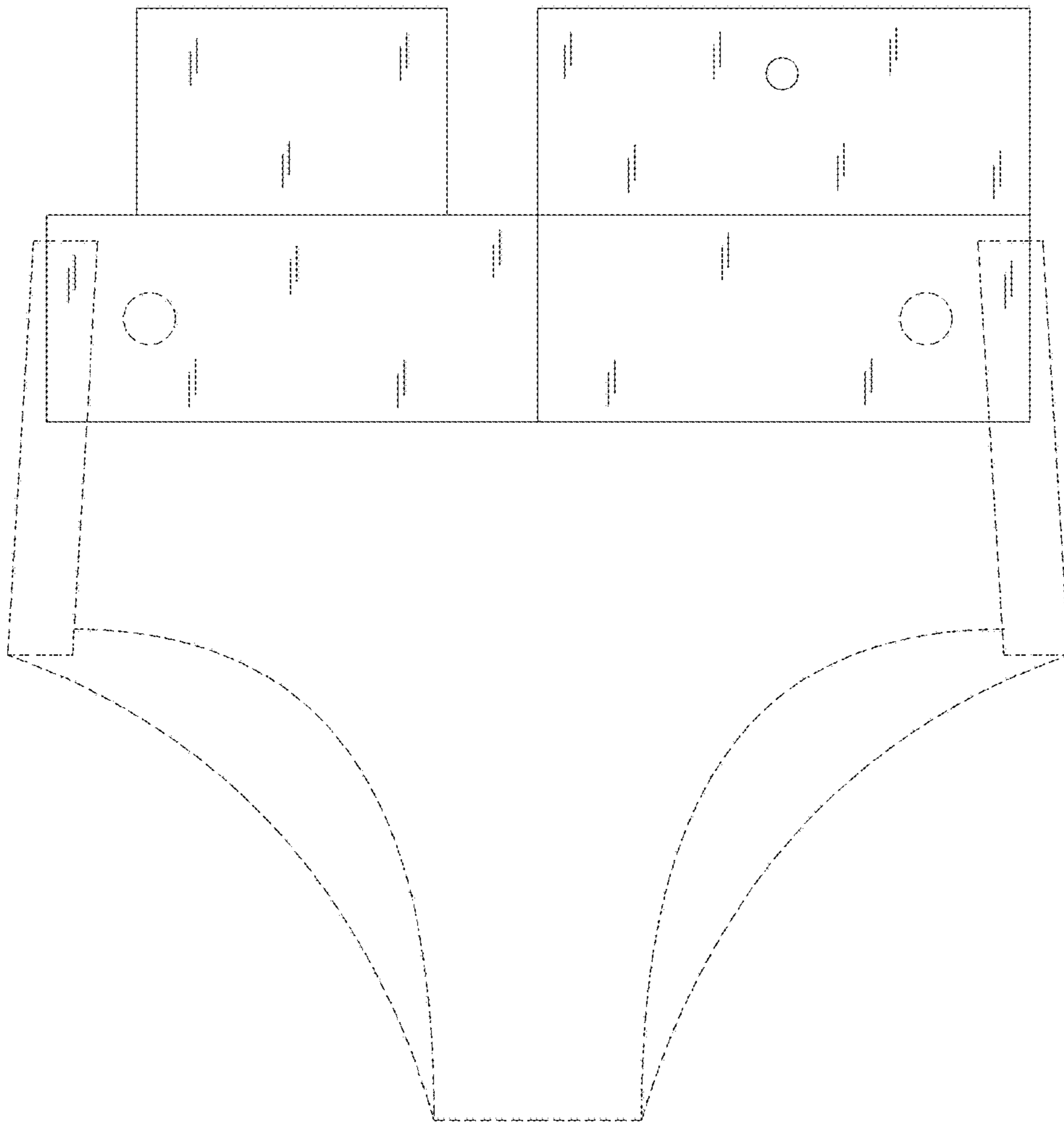


FIG. 9

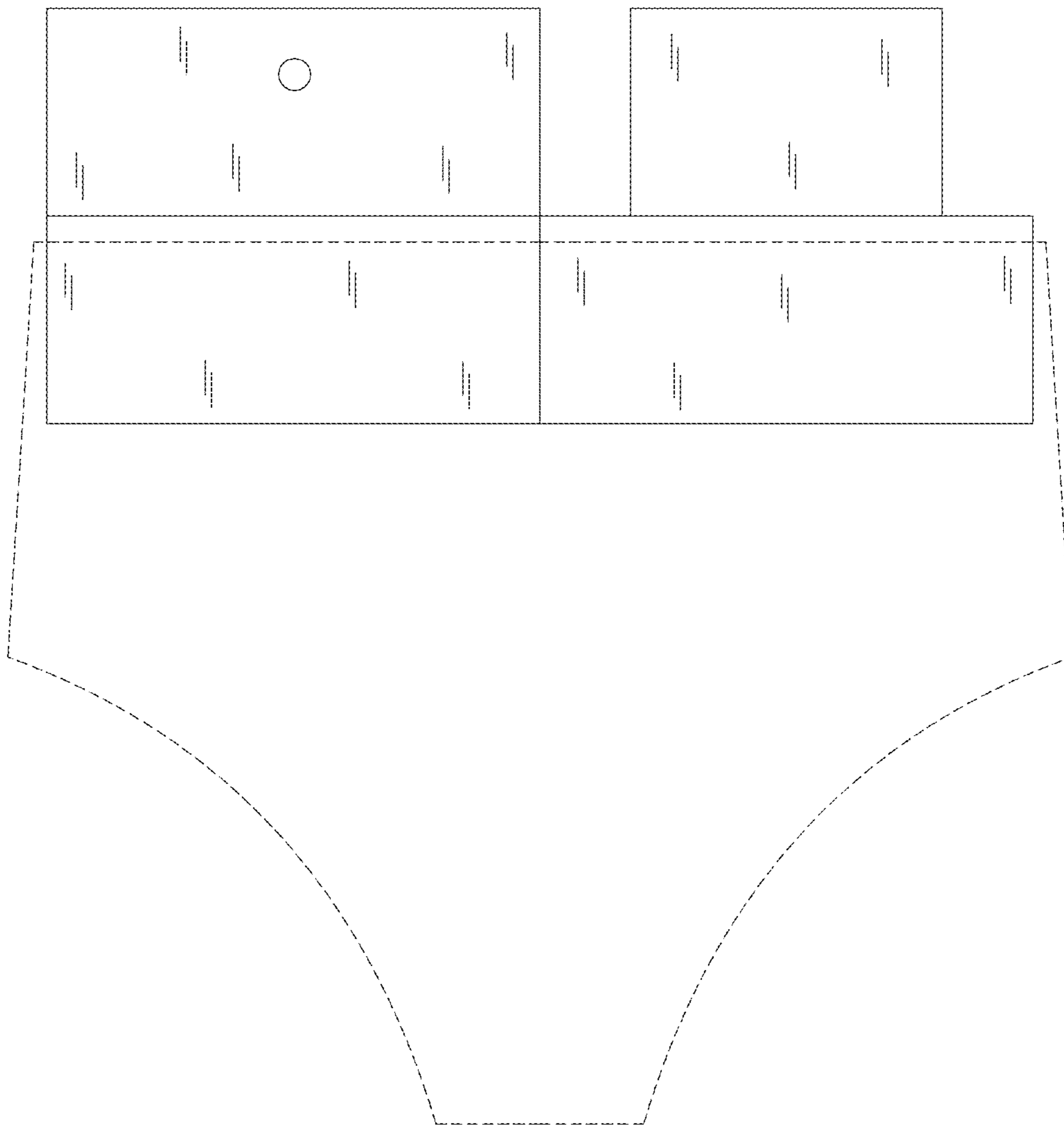


FIG. 10

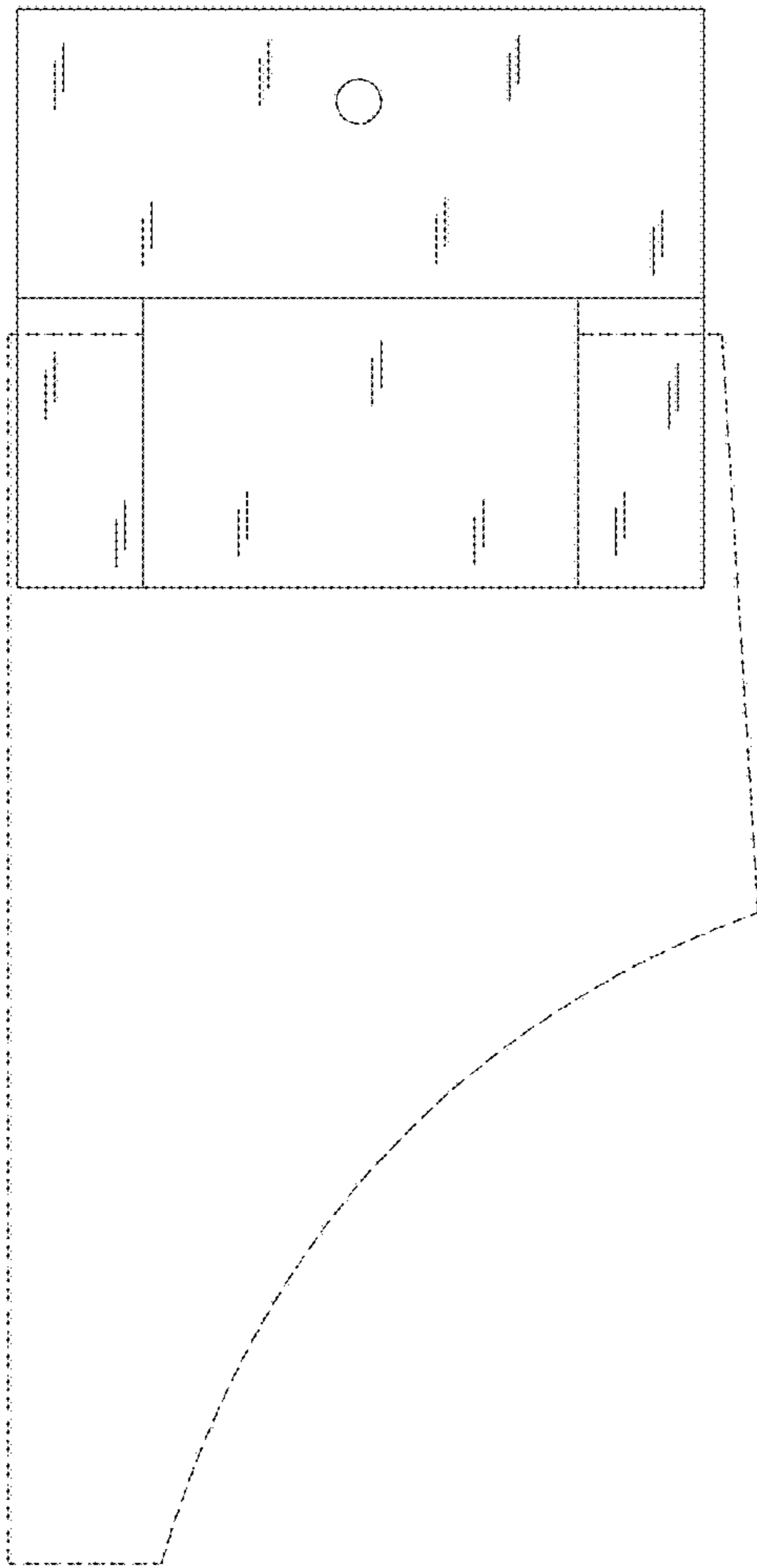


FIG. 11

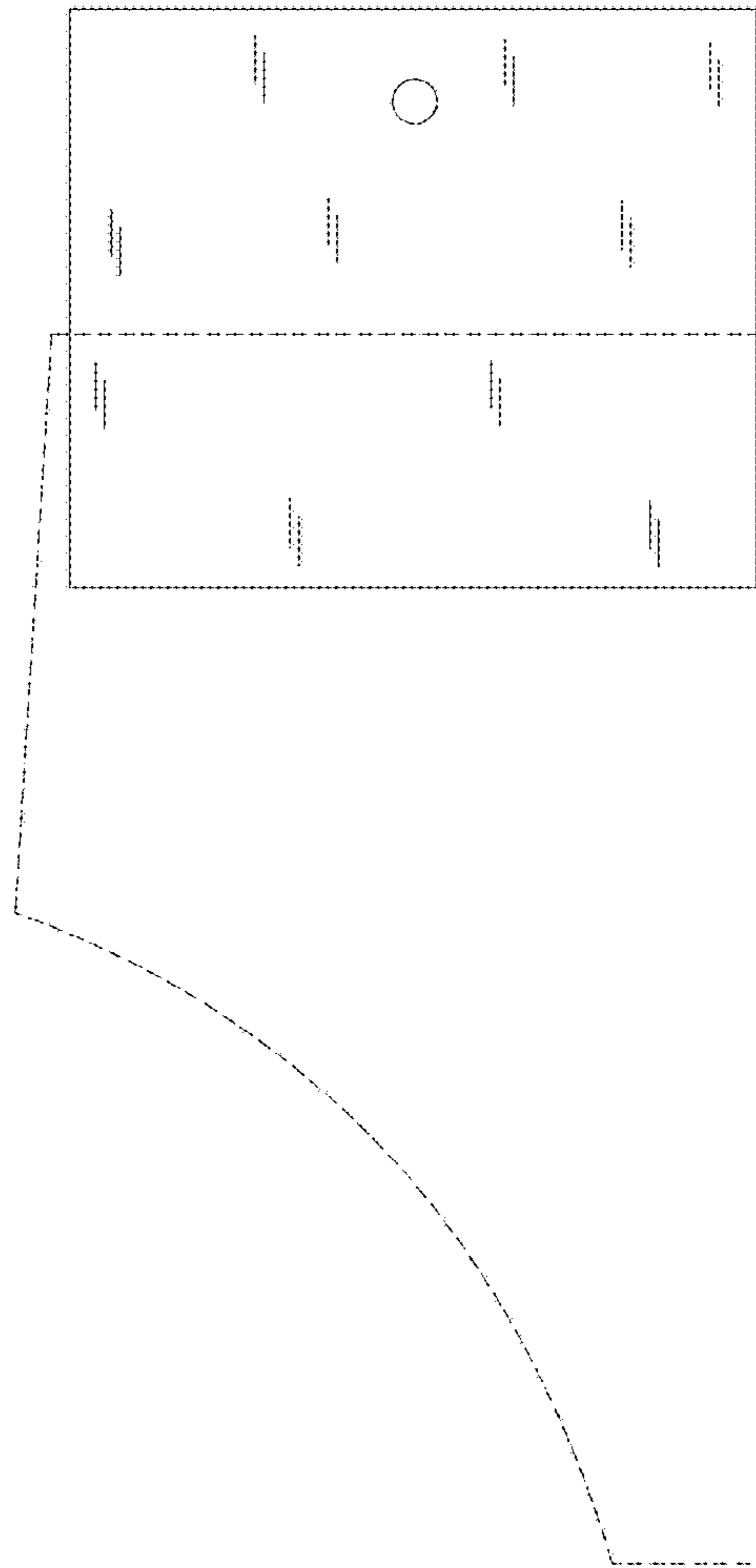


FIG. 12