



US00D806394S

(12) **United States Design Patent**  
**Liang**

(10) **Patent No.:** **US D806,394 S**  
(45) **Date of Patent:** **\*\* Jan. 2, 2018**

- (54) **SWINGABLE PULLING HANDLE FOR A WHEELED BAG**
- (71) Applicant: **Joseph Liang**, Ping-Tung Hsien (TW)
- (72) Inventor: **Joseph Liang**, Ping-Tung Hsien (TW)
- (\*\*) Term: **15 Years**
- (21) Appl. No.: **29/566,104**
- (22) Filed: **May 26, 2016**
- (51) **LOC (11) Cl.** ..... **03-01**
- (52) **U.S. Cl.**  
USPC ..... **D3/318**
- (58) **Field of Classification Search**  
USPC ..... D3/318  
CPC ..... A45C 5/14; A45C 13/26  
See application file for complete search history.

- (56) **References Cited**  
U.S. PATENT DOCUMENTS  
5,813,504 A \* 9/1998 Iny ..... A45C 5/14  
16/405  
6,186,295 B1 \* 2/2001 Lin ..... A45C 13/262  
190/115  
D463,124 S \* 9/2002 Godshaw ..... D3/318  
6,942,077 B1 \* 9/2005 Nykoluk ..... A45C 5/14  
16/113.1  
6,978,514 B2 \* 12/2005 Kuo ..... A45C 13/262  
16/113.1

- 7,461,730 B2 \* 12/2008 Costa ..... A45C 13/262  
16/113.1
- 8,037,983 B2 \* 10/2011 Leung ..... A45C 13/262  
16/113.1
- D702,442 S \* 4/2014 Liang ..... D3/318

\* cited by examiner

*Primary Examiner* — Holly H Baynham  
(74) *Attorney, Agent, or Firm* — DLA Piper LLP (US)

(57) **CLAIM**

The ornamental design for a swingable pulling handle for a wheeled bag, as shown and described.

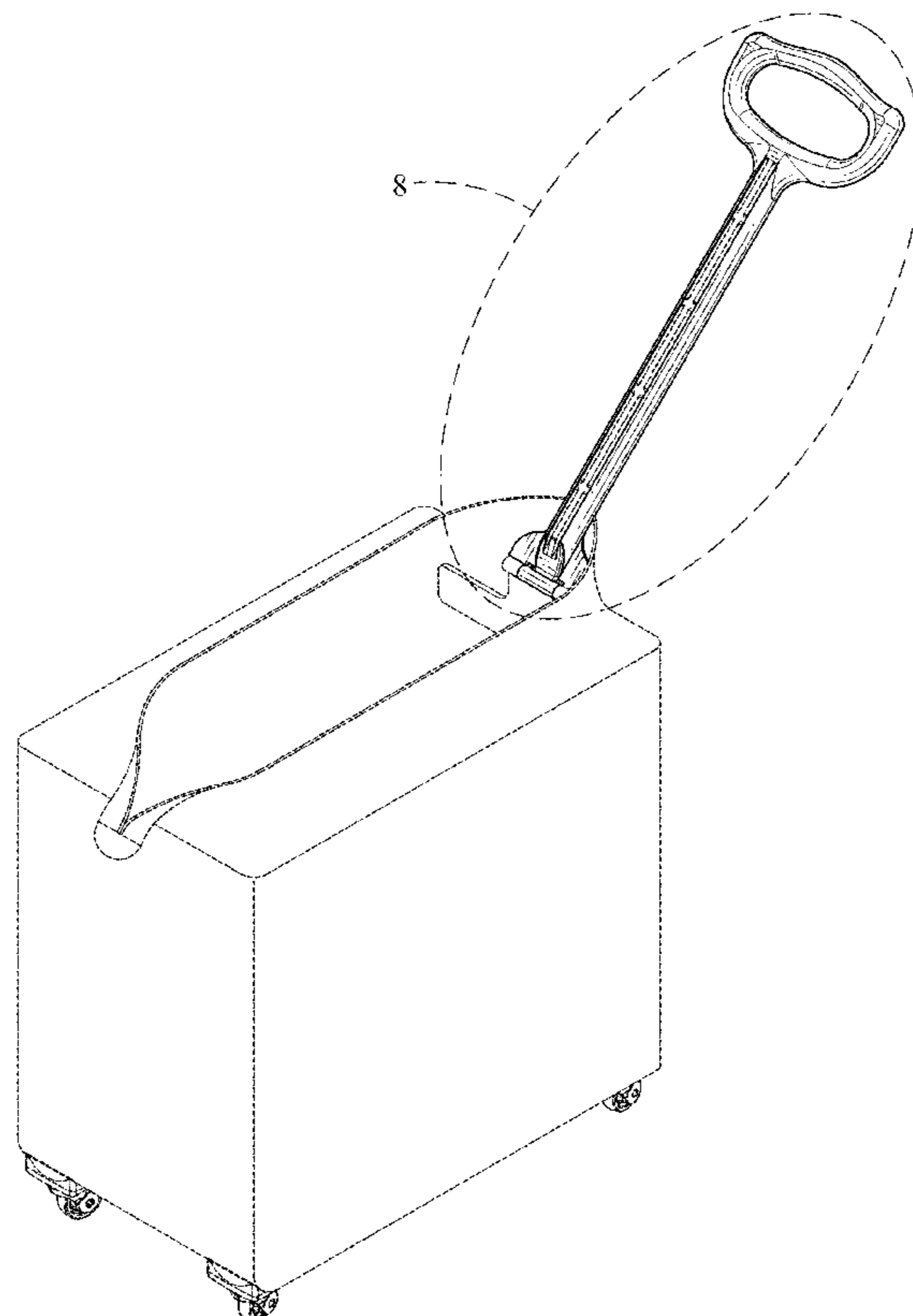
**DESCRIPTION**

FIG. 1 is a perspective view of a swingable pulling handle for a wheeled bag showing my new design; FIG. 2 is a front elevational view thereof; FIG. 3 is a rear elevational view thereof; FIG. 4 is a right side elevational view thereof; FIG. 5 is a left side elevational view thereof; FIG. 6 is a top plan view thereof; FIG. 7 is a bottom plan view thereof; and, FIG. 8 is an enlarged perspective view of a circled portion 8 of FIG. 1.

The broken lines depicting the wheeled bag are shown for environmental purpose only and form no part of the claimed design.

The broken lines depicting portions of the swingable pulling handle are shown for illustrative purpose only and form no part of the claimed design.

**1 Claim, 8 Drawing Sheets**



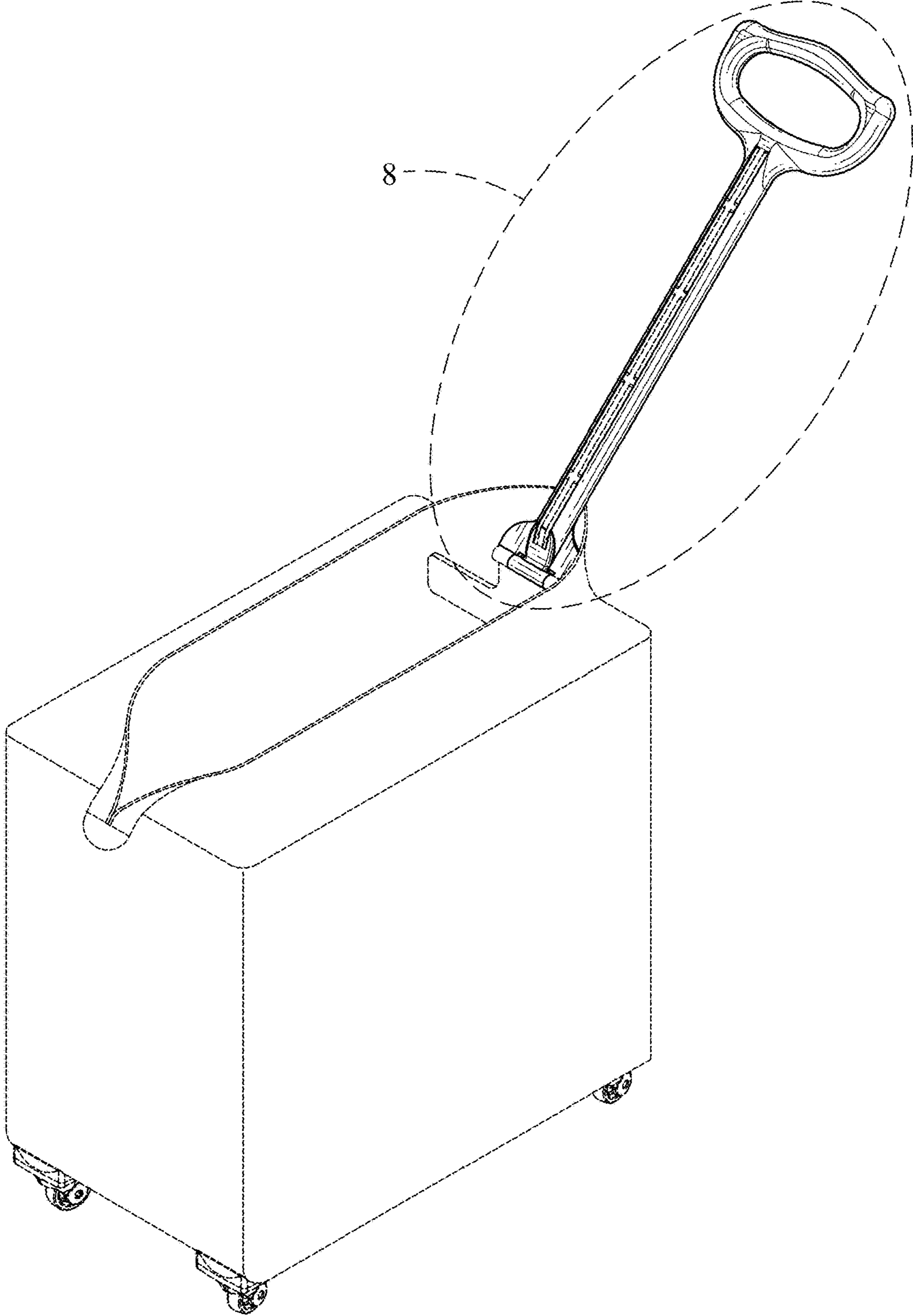


FIG. 1

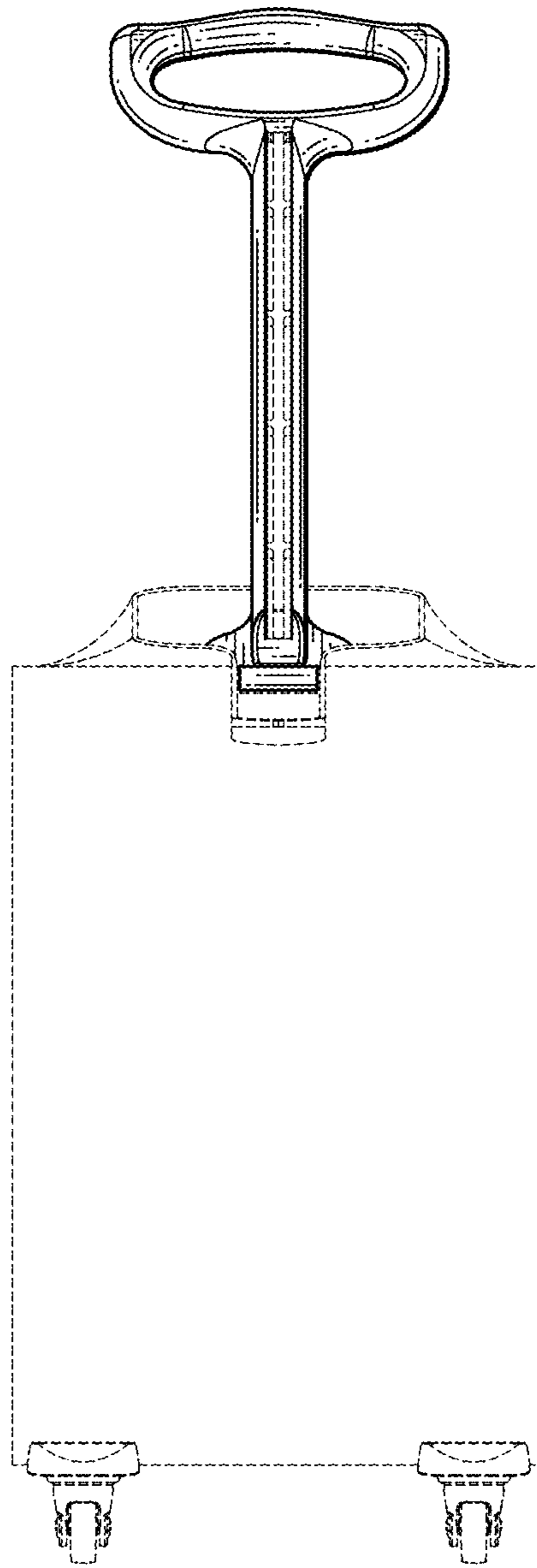


FIG.2

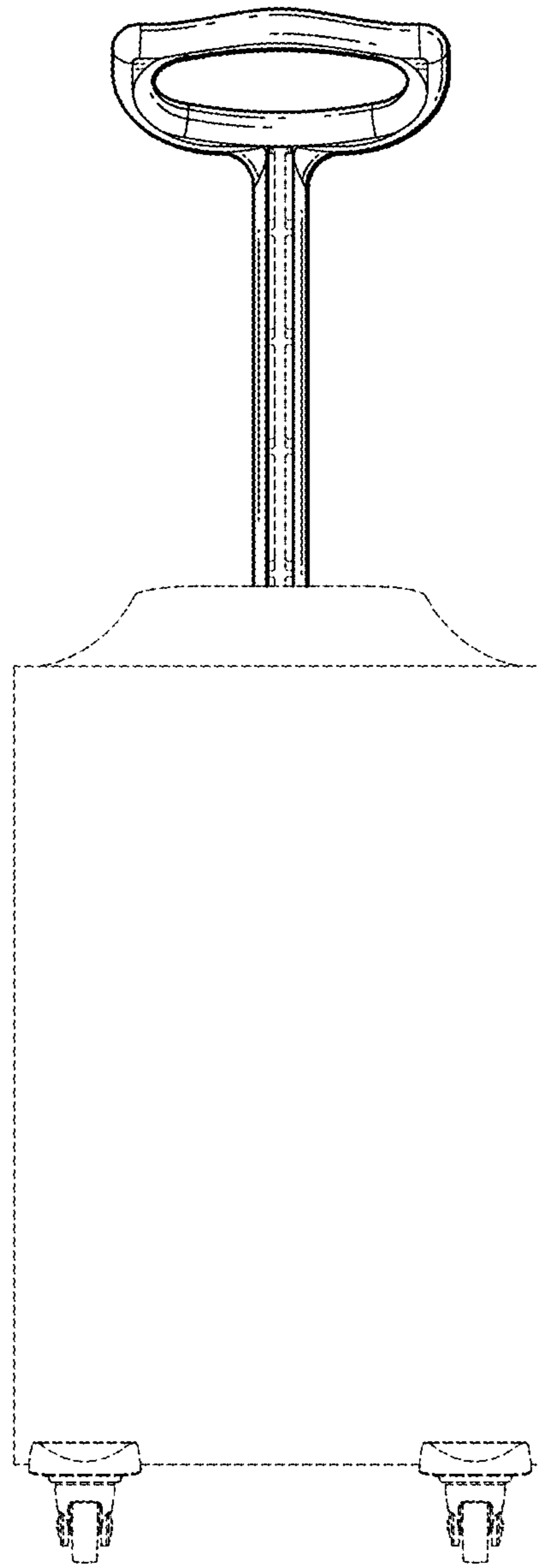


FIG.3

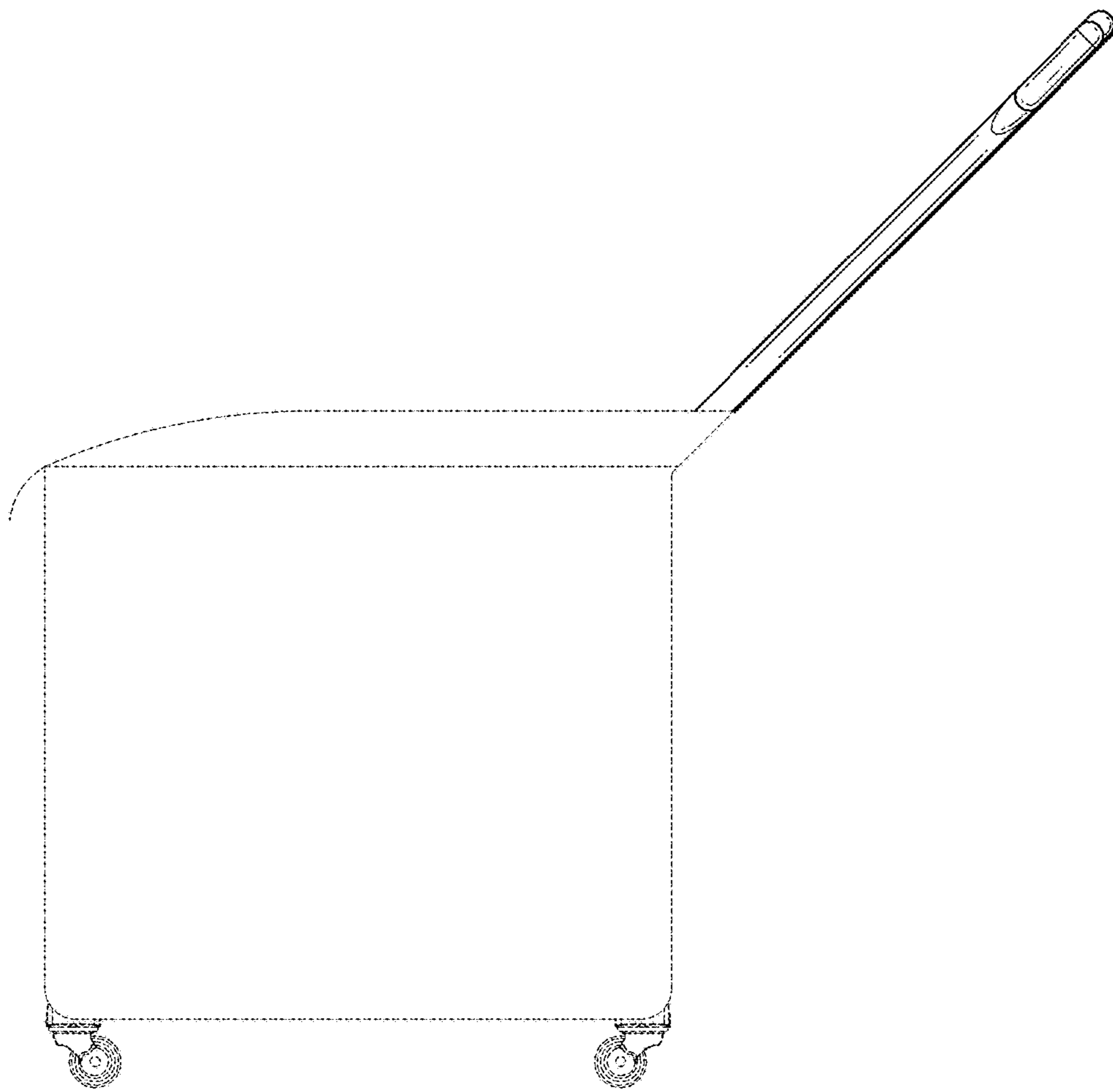


FIG. 4

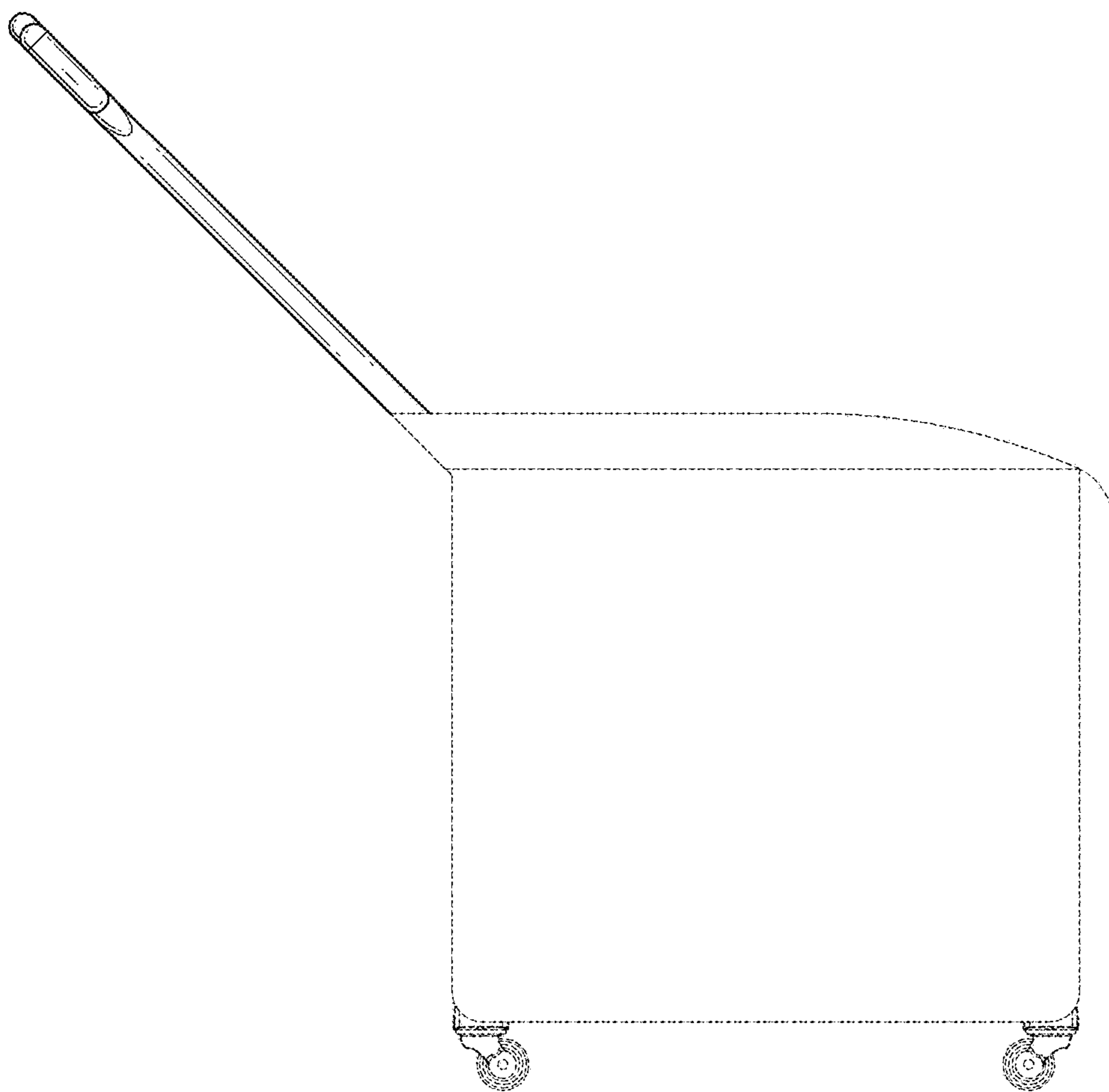


FIG. 5

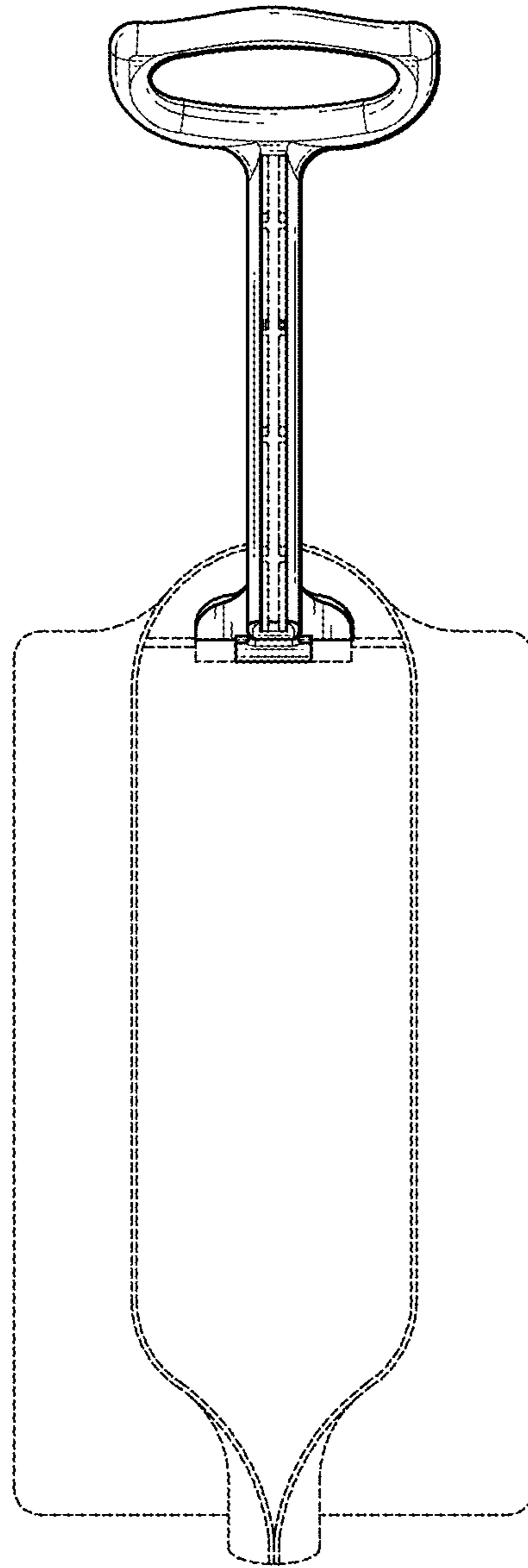


FIG.6

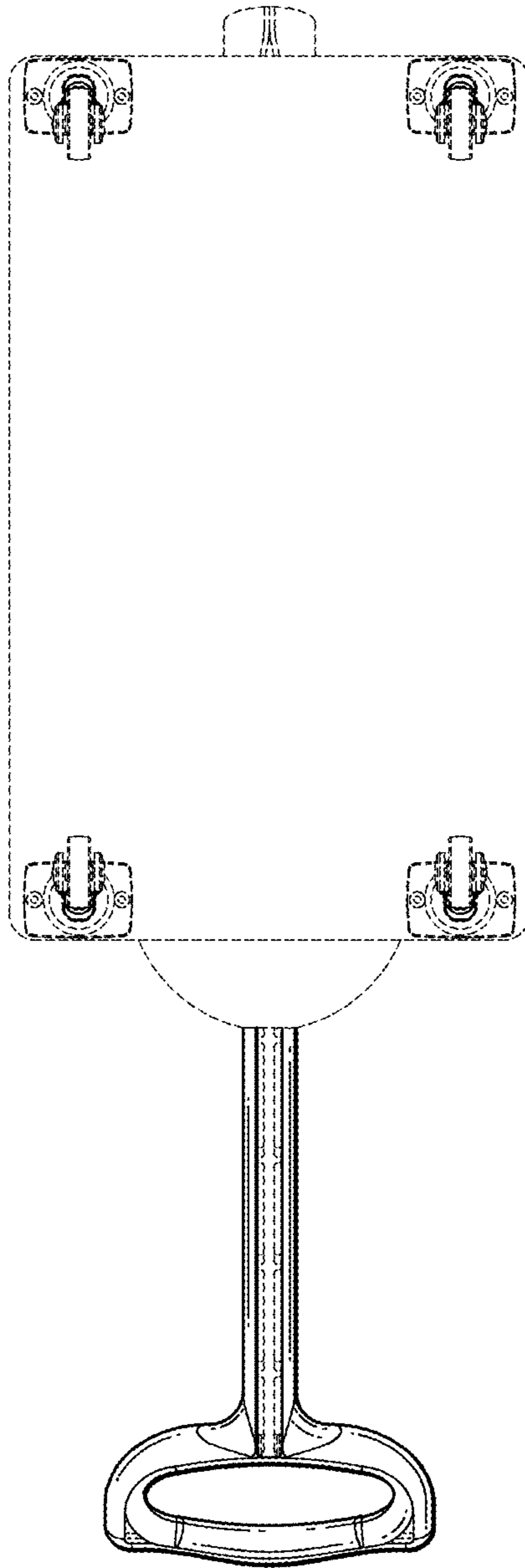


FIG. 7



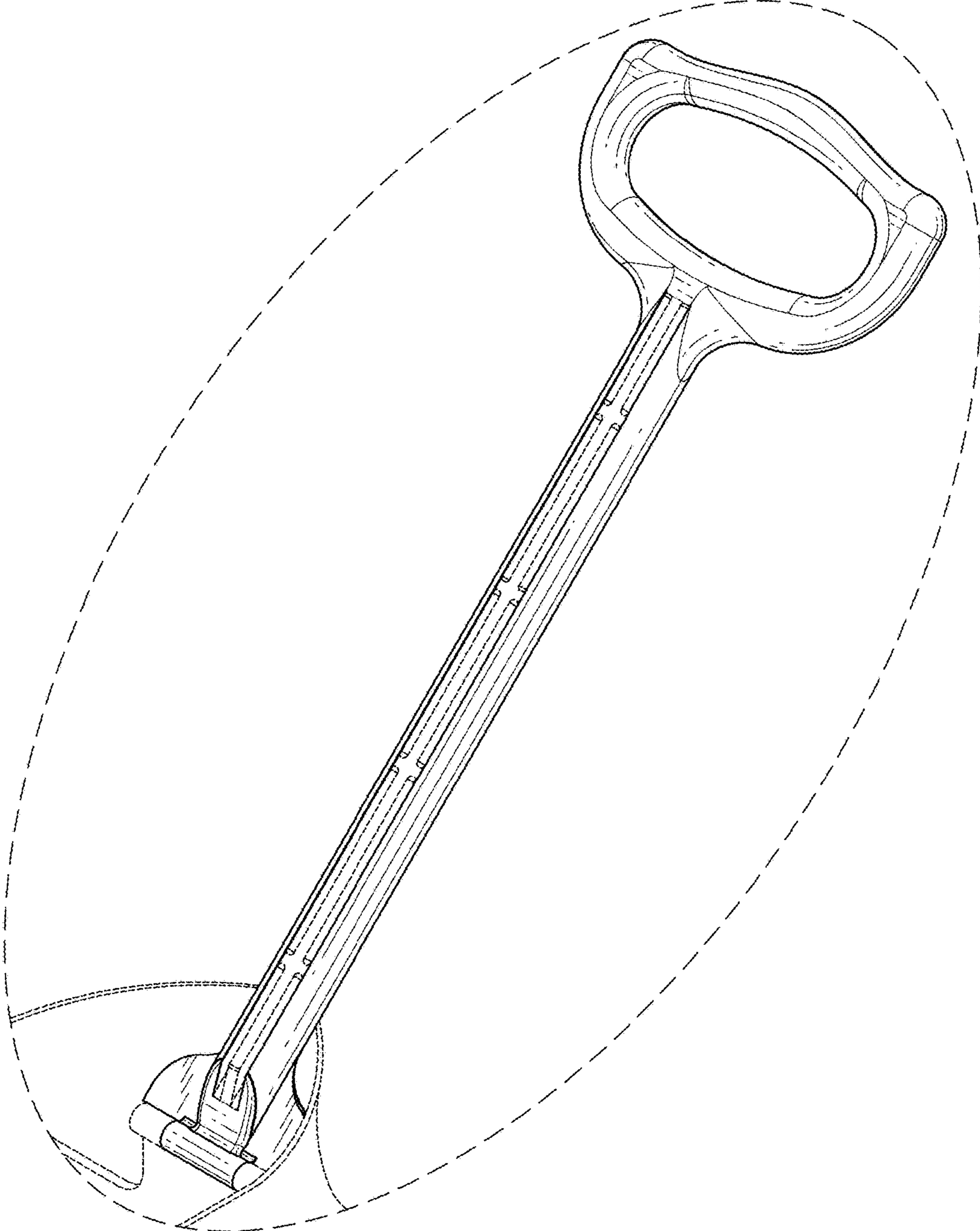


FIG. 8