

US00D806392S

(12) **United States Design Patent**  
**Glick**

(10) **Patent No.:** **US D806,392 S**

(45) **Date of Patent:** **\*\* Jan. 2, 2018**

(54) **WRITING UTENSIL CADDY**

(71) Applicant: **Angeles Glick**, Palm Coast, FL (US)

(72) Inventor: **Angeles Glick**, Palm Coast, FL (US)

(\*\*) Term: **15 Years**

(21) Appl. No.: **29/600,158**

(22) Filed: **Apr. 10, 2017**

**Related U.S. Application Data**

(63) Continuation-in-part of application No. 15/067,859, filed on Mar. 11, 2016, now abandoned.

(51) **LOC (11) Cl.** ..... **03-00**

(52) **U.S. Cl.**  
USPC ..... **D3/315; D3/206; D19/77**

(58) **Field of Classification Search**  
USPC ..... D3/206, 315; D19/77, 81, 84, 85  
CPC ..... B43M 99/008; B43M 99/002; B43M 99/006; B25H 3/003; A45C 11/34; A45C 11/36  
See application file for complete search history.

(56) **References Cited**

**U.S. PATENT DOCUMENTS**

D321,371 S \* 11/1991 Galante ..... D19/75  
D357,886 S \* 5/1995 Fuller ..... D11/152

D390,727 S \* 2/1998 Ferry ..... D19/77  
D401,016 S \* 11/1998 Holliday ..... D19/85  
D469,926 S \* 2/2003 Petruccelli ..... D28/73  
D495,880 S \* 9/2004 Warren, III ..... D3/313  
D525,657 S \* 7/2006 Warren, III ..... D19/77  
D601,836 S \* 10/2009 Carr ..... D6/525  
D619,364 S \* 7/2010 Barrick ..... D3/206  
D681,406 S \* 5/2013 Soliman ..... D19/77

\* cited by examiner

*Primary Examiner* — Charles Hanson

(74) *Attorney, Agent, or Firm* — Dale J. Ream

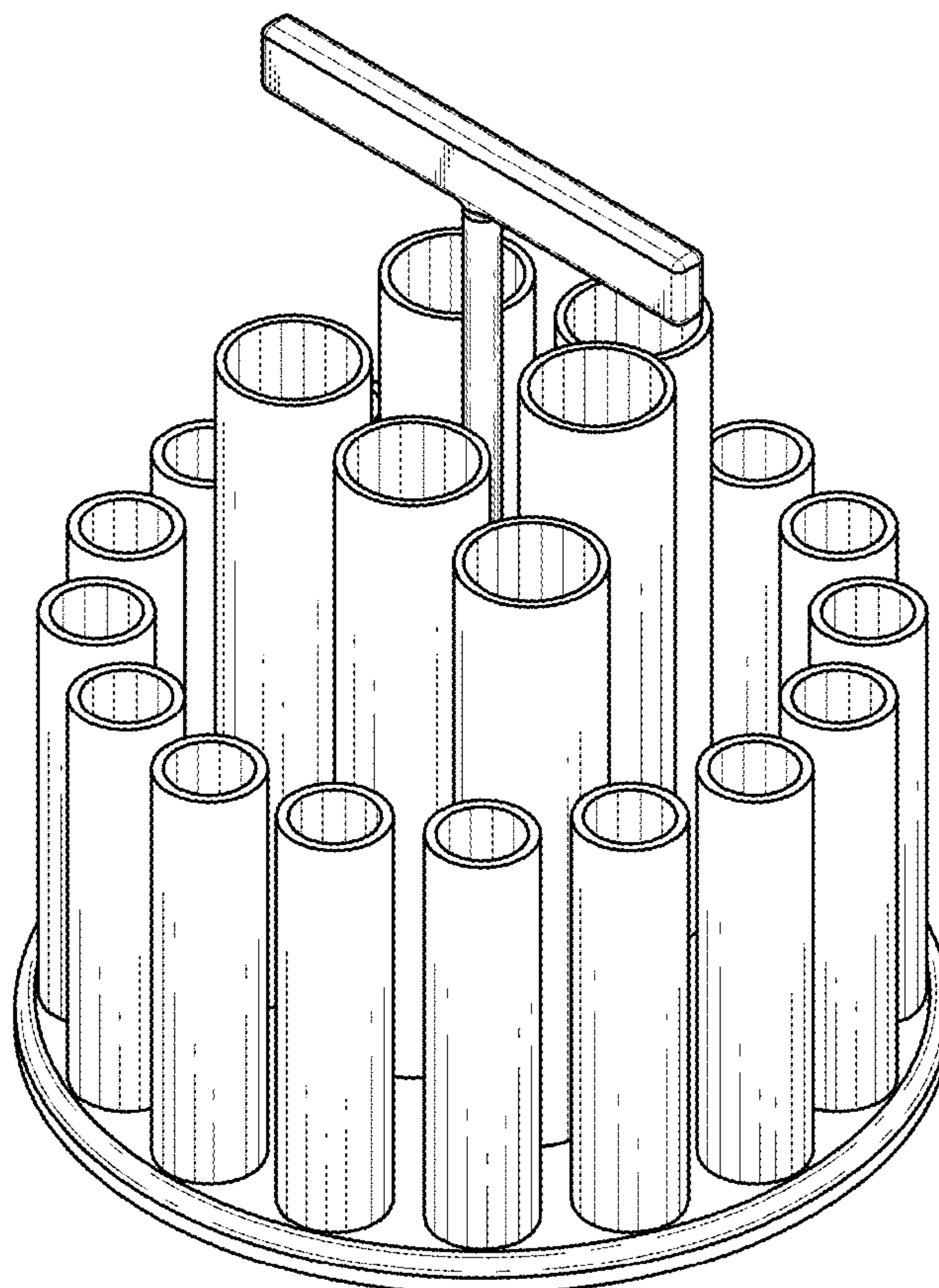
(57) **CLAIM**

The ornamental design for a writing utensil caddy, as shown and described.

**DESCRIPTION**

FIG. 1 is a perspective view of a writing utensil caddy showing my new design;  
FIG. 2 is a top plan view thereof;  
FIG. 3 is a bottom plan view thereof  
FIG. 4 is a left side view thereof;  
FIG. 5 is a right side view thereof;  
FIG. 6 is a front elevation view thereof; and,  
FIG. 7 is a back elevation view thereof.

**1 Claim, 7 Drawing Sheets**



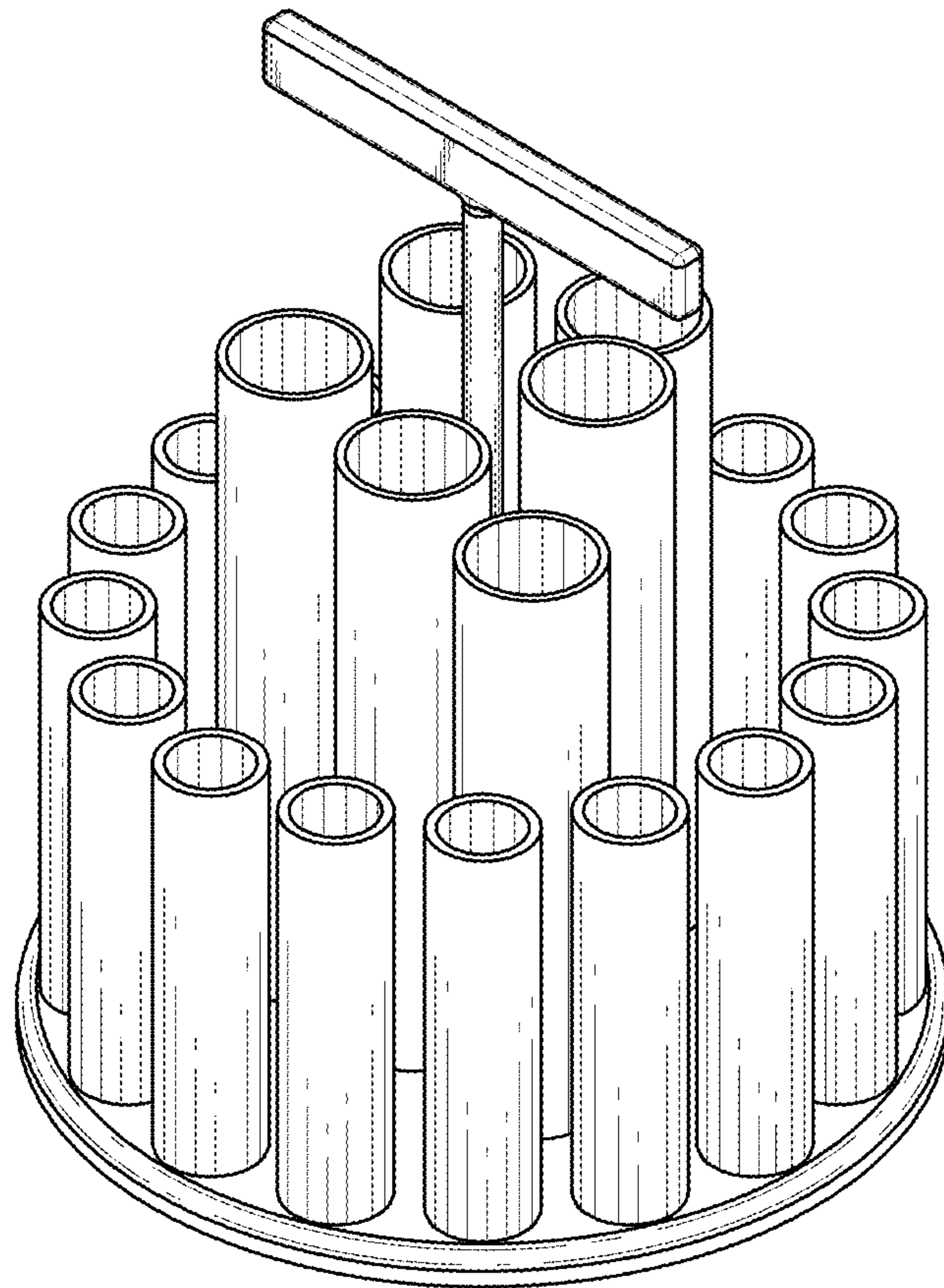


FIG. 1

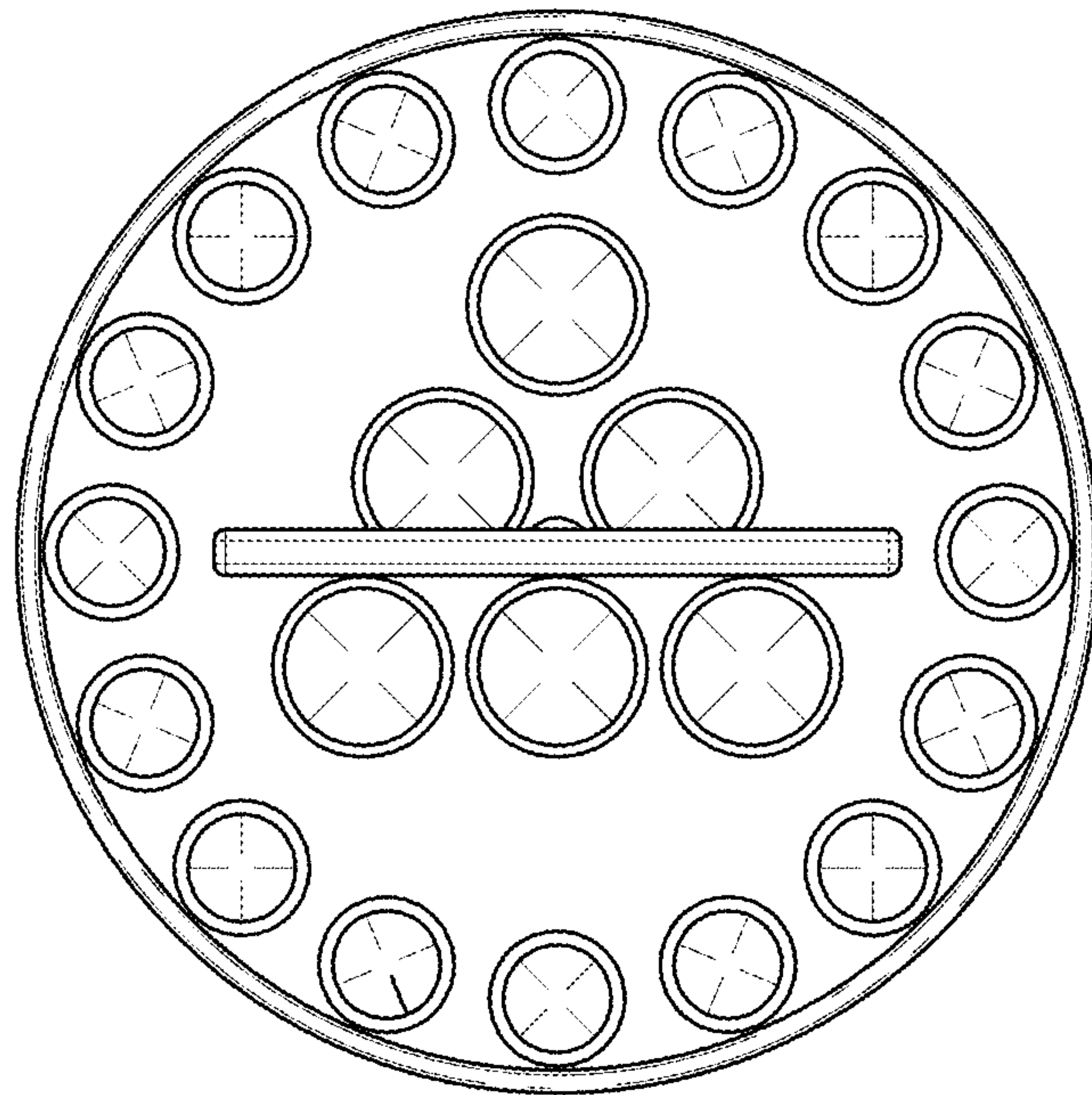


FIG. 2

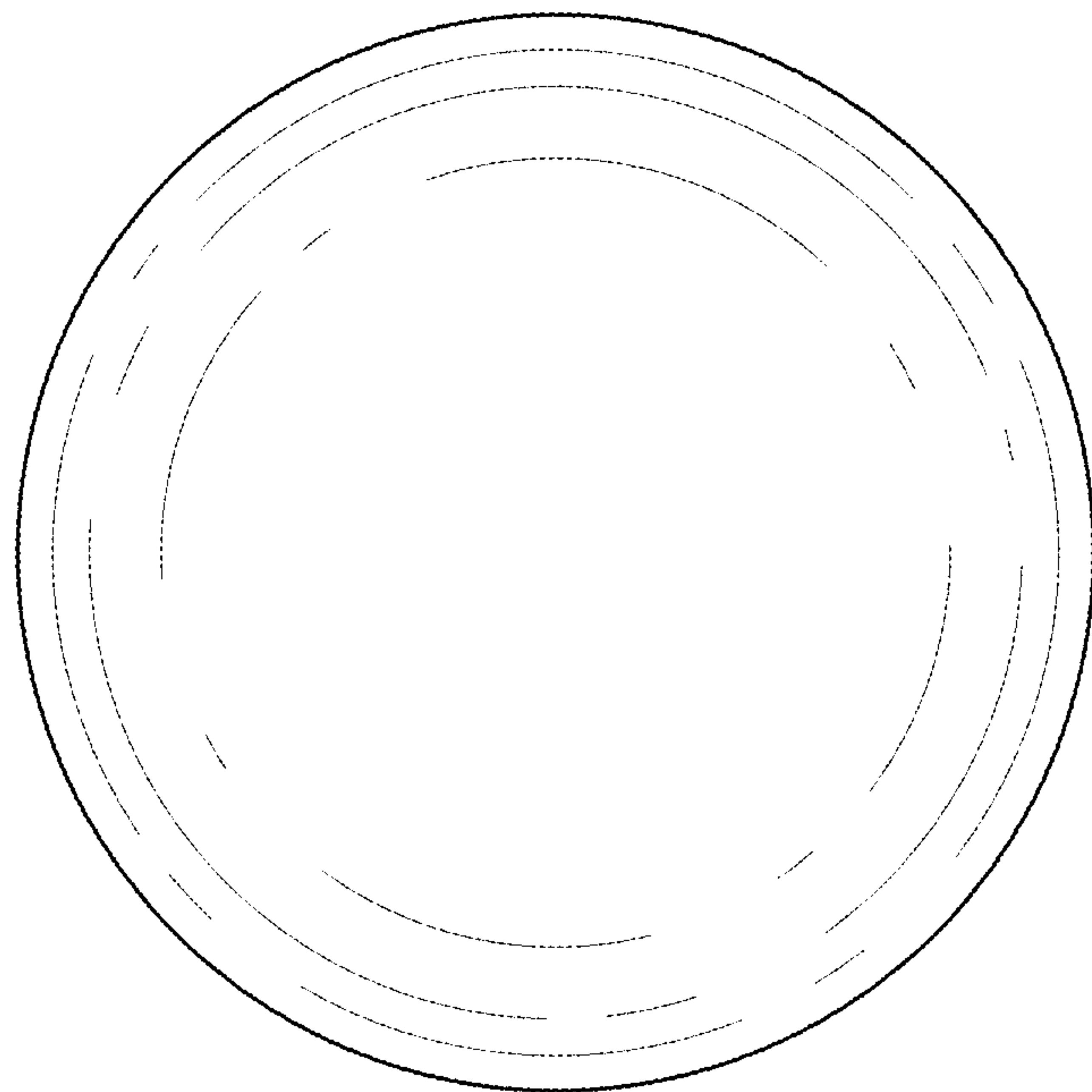


FIG. 3

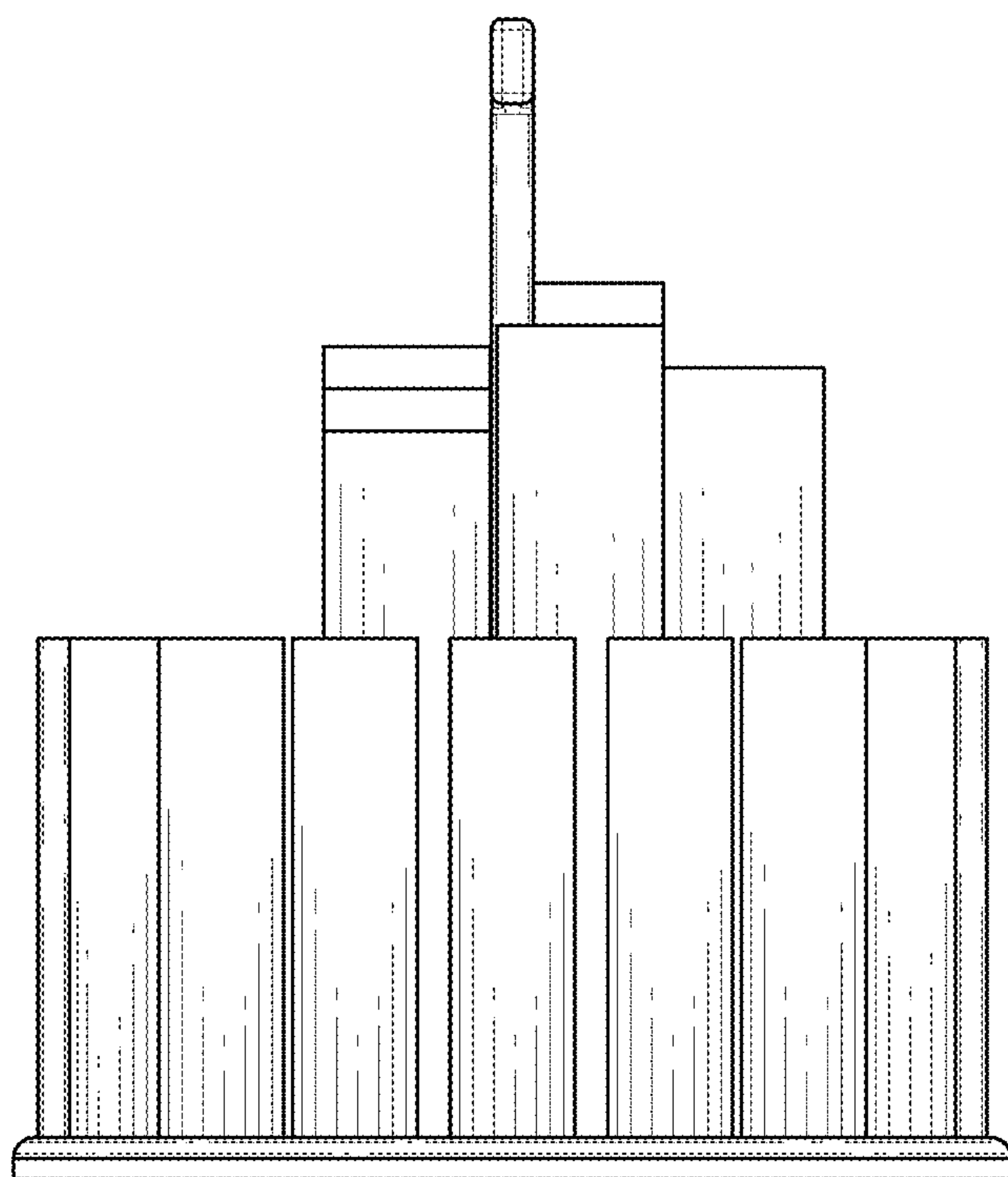


FIG. 4

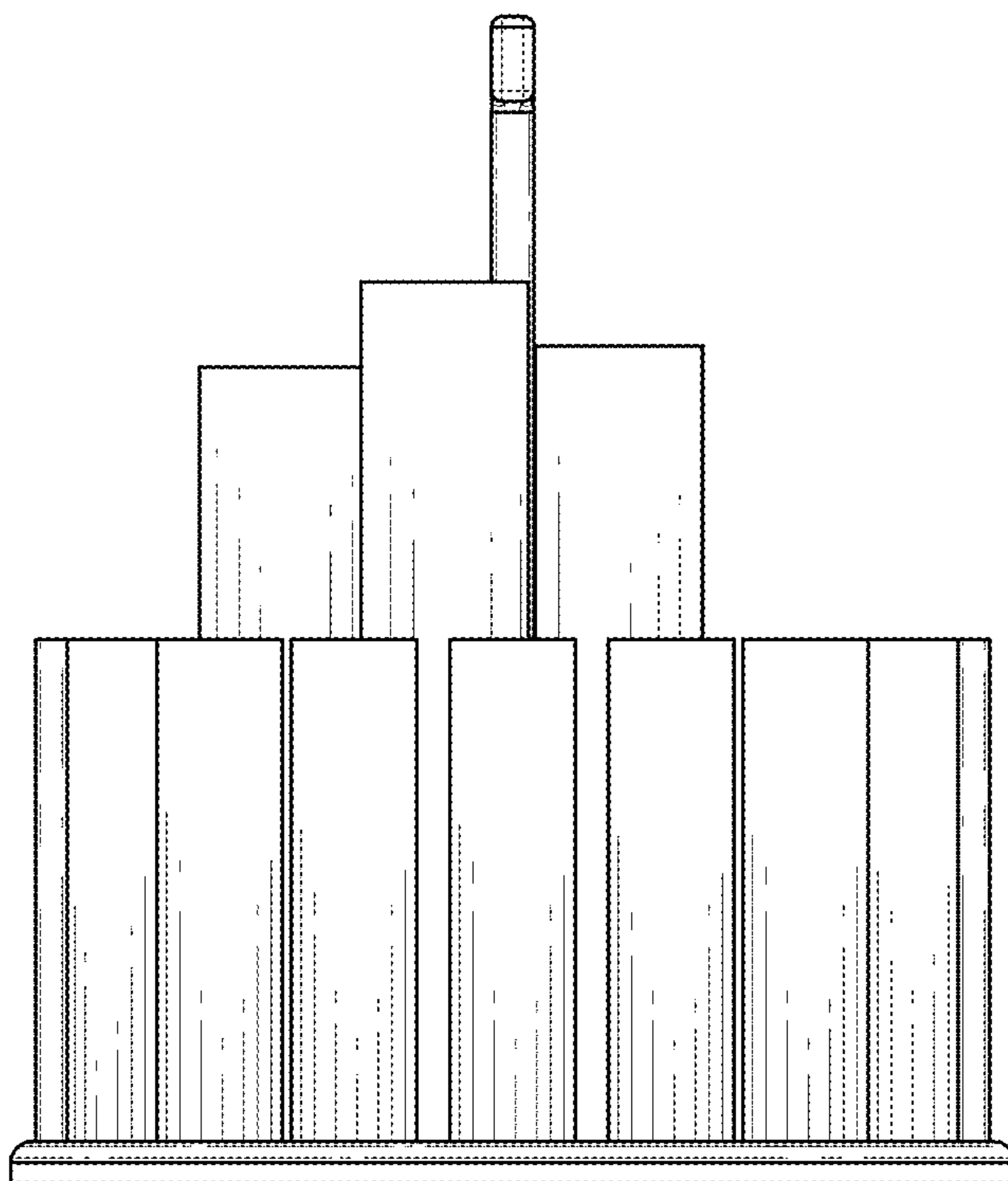


FIG. 5



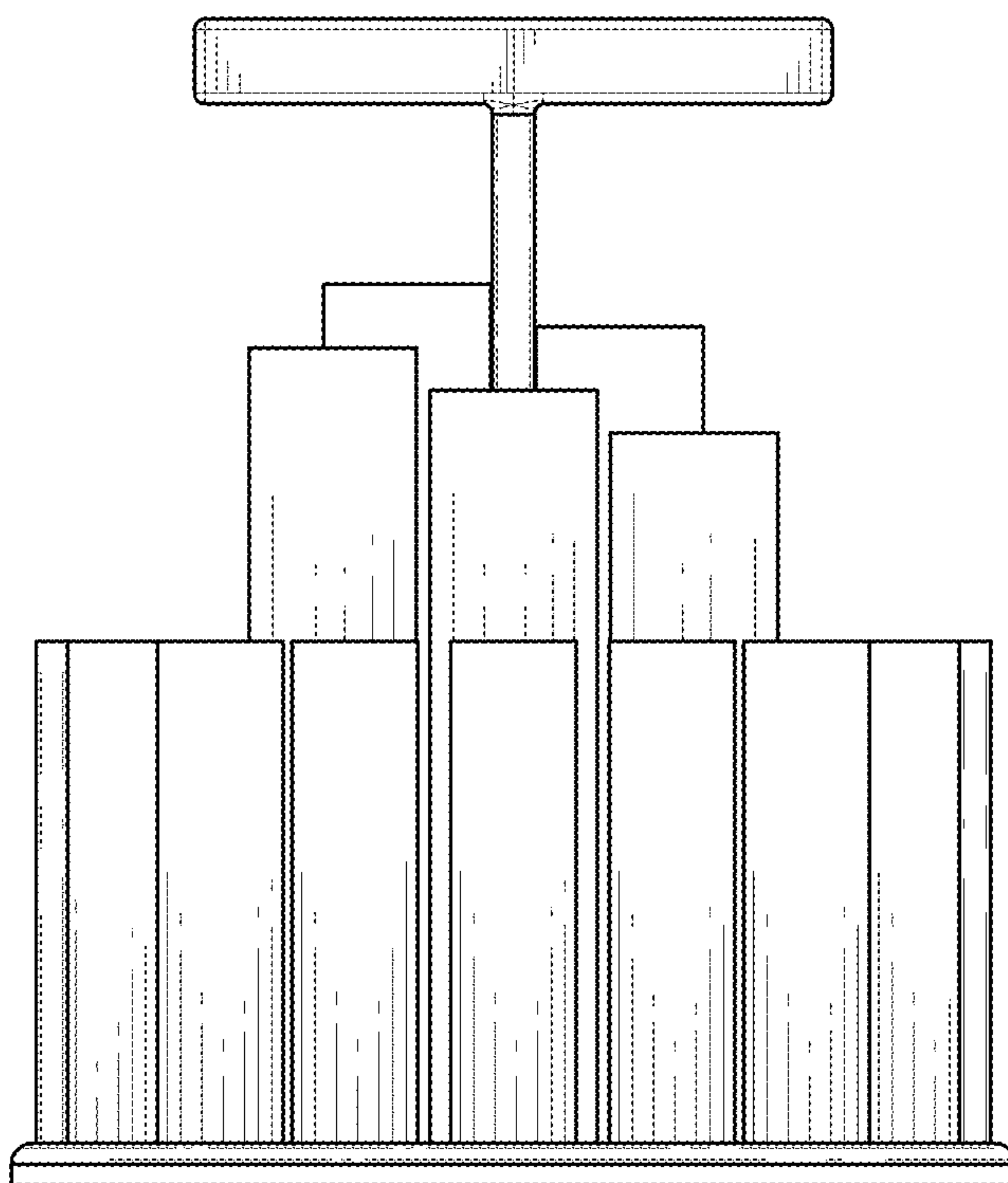


FIG. 6

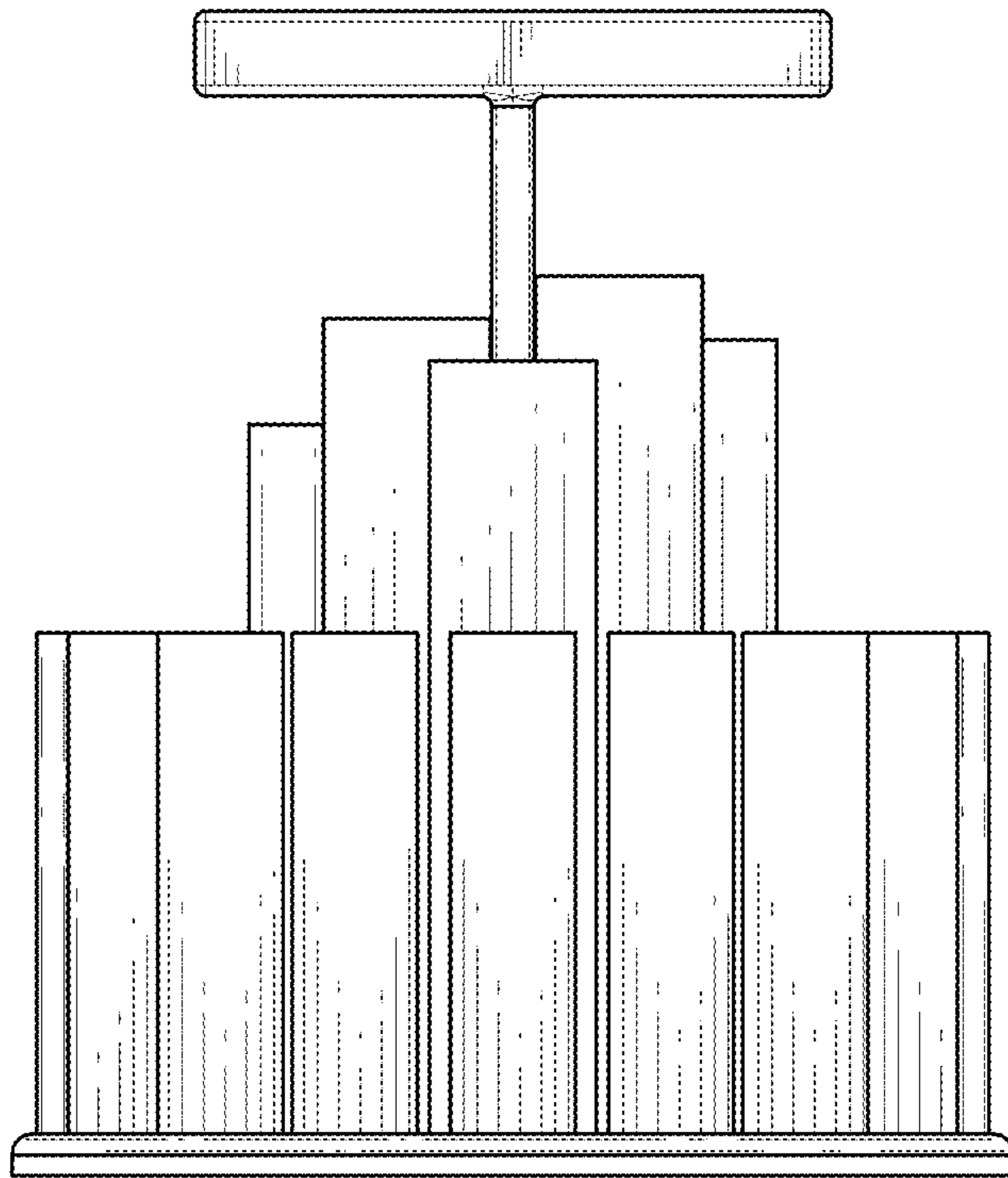


FIG. 7