



US00D806390S

(12) **United States Design Patent** (10) **Patent No.:** **US D806,390 S**
Goldszer (45) **Date of Patent:** **** Jan. 2, 2018**

(54) **PHONE OR ACCESSORY POUCH FOR CHAIR**

(71) Applicant: **JGR Copa LLC**, Hollywood, FL (US)

(72) Inventor: **Jacob Goldszer**, Hollywood, FL (US)

(73) Assignee: **JGR Copa, LLC**, Hollywood, FL (US)

(**) Term: **15 Years**

(21) Appl. No.: **29/562,000**

(22) Filed: **Apr. 21, 2016**

(51) **LOC (11) Cl.** **03-01**

(52) **U.S. Cl.**
USPC **D3/303**

(58) **Field of Classification Search**
USPC D3/221, 255, 247, 269, 299, 273, 276,
D3/289, 293, 290, 301, 303, 318, 319;
D9/702, 703, 705, 707, 709, 710, 433,
D9/901; D14/250; D19/3
CPC A47C 7/62; A47C 1/14
See application file for complete search history.

(56) **References Cited**

U.S. PATENT DOCUMENTS

D363,603 S * 10/1995 Leveen D3/303
5,605,235 A * 2/1997 Johnson F16M 13/00
211/26.1
D482,195 S * 11/2003 Hansen D3/227
D484,689 S * 1/2004 Hansen D3/227
D522,750 S * 6/2006 Girod D3/303
D543,032 S * 5/2007 Owenby D3/303
D546,705 S * 7/2007 Suzuki D9/415
D601,799 S * 10/2009 Andre D3/303
D636,997 S * 5/2011 DeVoe D12/133
D694,009 S * 11/2013 D'Amore D3/249
D709,700 S * 7/2014 Nunez D3/303
D717,545 S * 11/2014 Chuang D3/318
D718,935 S * 12/2014 Hyzdu D3/303

D728,937 S * 5/2015 Fridley D3/303
D744,236 S * 12/2015 Turksu D3/300
D753,398 S * 4/2016 Arami D3/299
D764,800 S * 8/2016 Juniper D3/303
D771,943 S * 11/2016 Milstead D3/303
2013/0328362 A1* 12/2013 Miller A47C 7/62
297/188.2

OTHER PUBLICATIONS

Rio SC642C HiBoy Beach Chair Free Shipping, Island Beach Gear, islandbeachgear.com, Code: S2236, MFG Code: SC6421610, Mar. 1, 2016, <https://www.islandbeachgear.com>.

* cited by examiner

Primary Examiner — Sandra Snapp

Assistant Examiner — Holly E Thurman

(74) *Attorney, Agent, or Firm* — Robert C. Kain, Jr.

(57) **CLAIM**

I claim the ornamental design for a pocket or accessory pouch for chair, as shown and described.

DESCRIPTION

FIG. 1 is a perspective view of the phone or accessory pouch for chair from an inboard chair viewpoint.

FIG. 2 is a left side or inboard view of the pouch.

FIG. 3 is a right side or outboard view of the pouch.

FIG. 4 is a front elevational view of the pouch which is a reduced view of FIGS. 2 and 3.

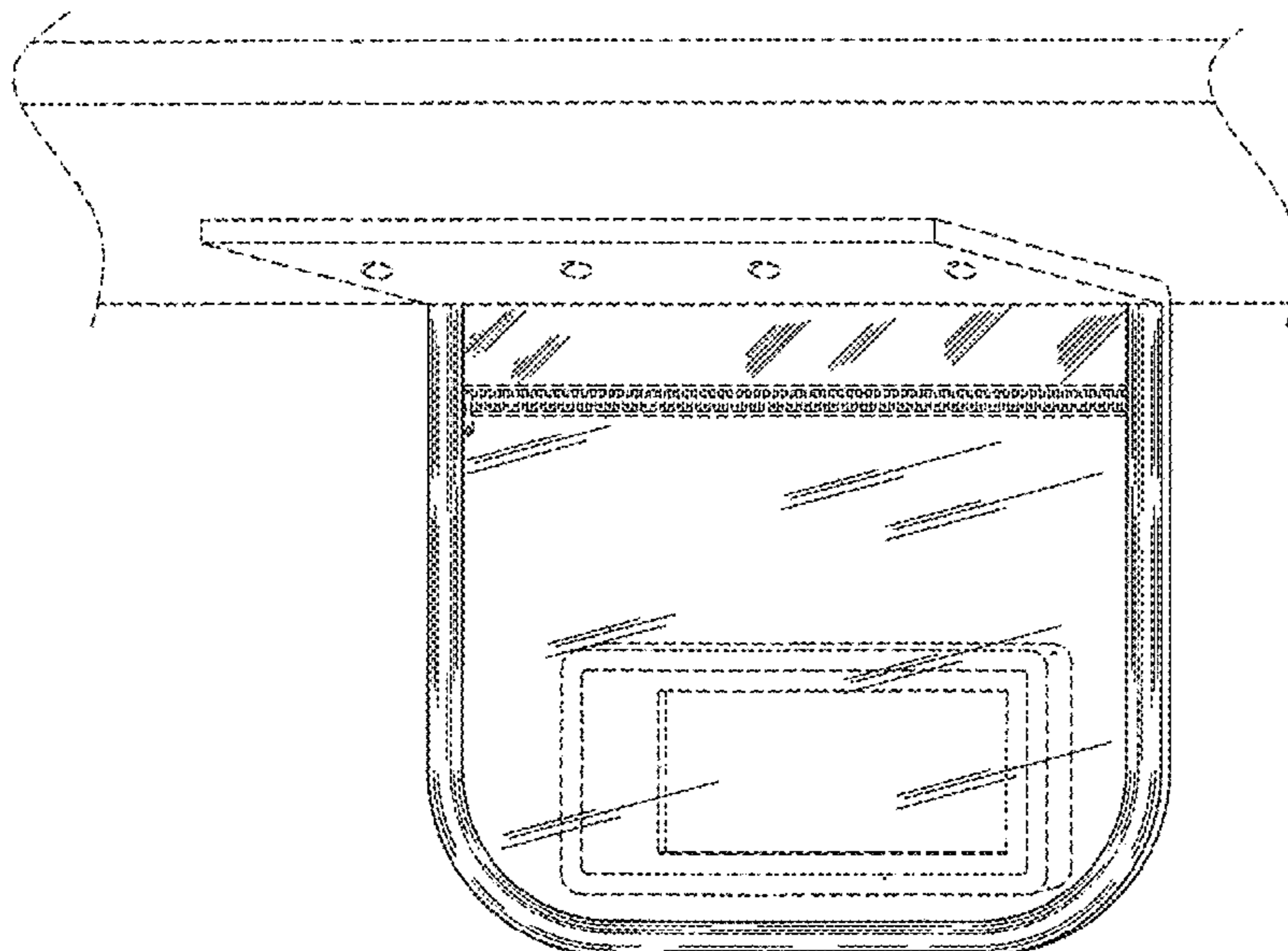
FIG. 5 is a rear elevational view of the pouch which is a reduced view of FIGS. 2 and 3; and,

FIG. 6 is a bottom view of the pouch.

The top view of the pouch is not visible.

The broken lines immediately adjacent the claimed surfaces represent boundaries of the claimed design. The dash-dot-dash broken lines represent stitching. The dashed broken lines depict unclaimed environmental structures, to include an accessory in FIGS. 1 and 2. All broken lines form no part of the claimed design.

1 Claim, 6 Drawing Sheets



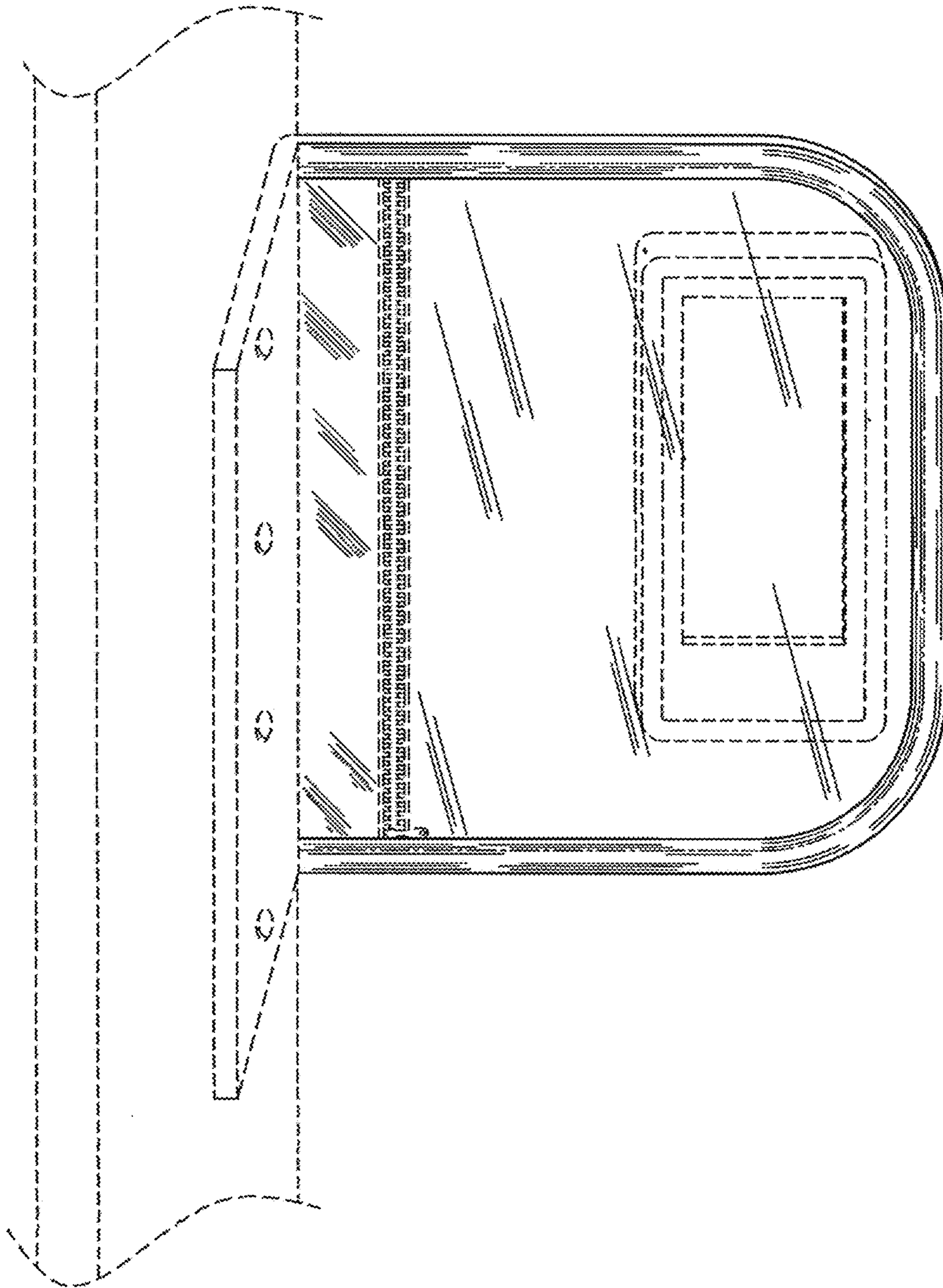


FIG.1

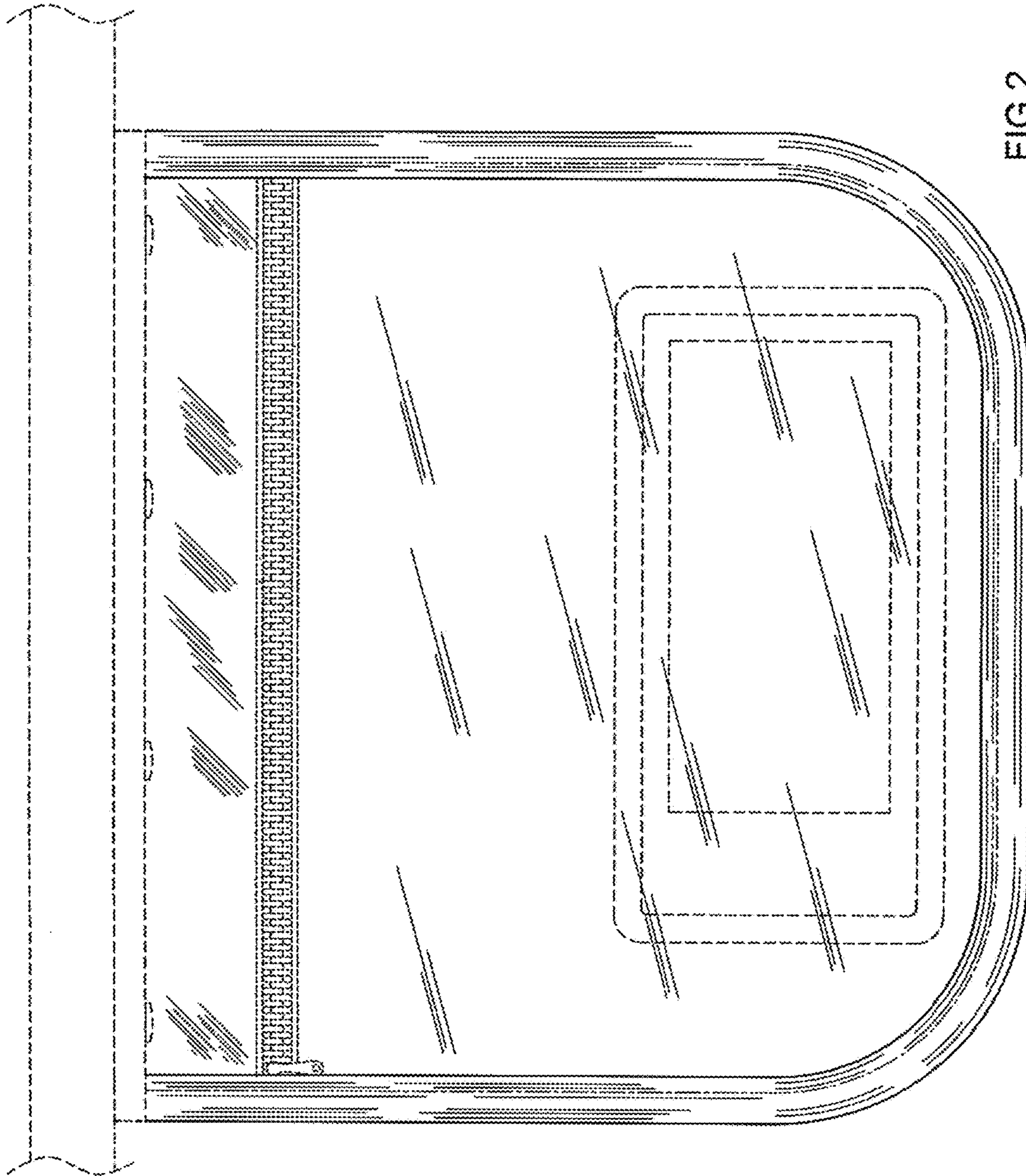


FIG. 2

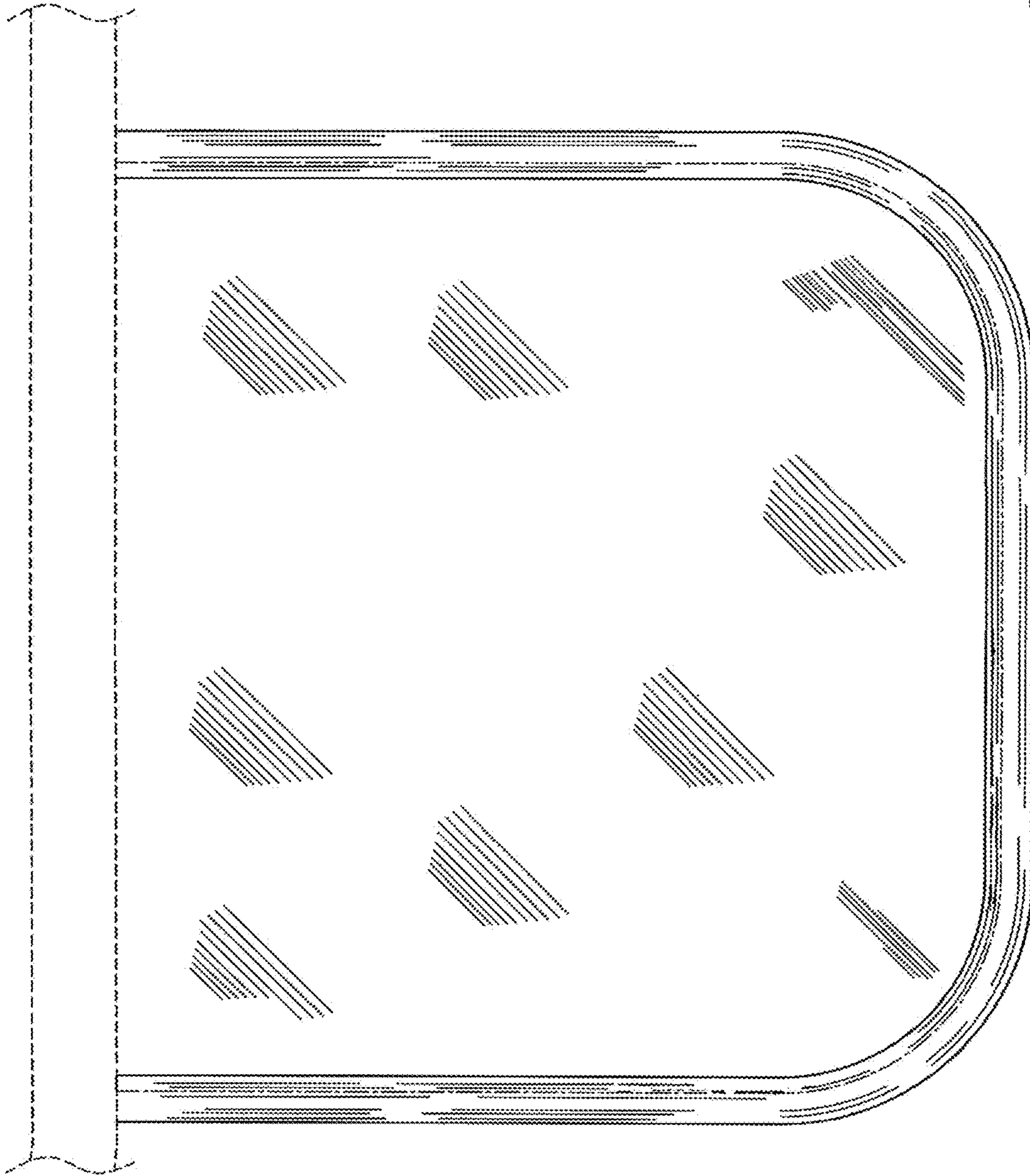


FIG. 3

FIG.4

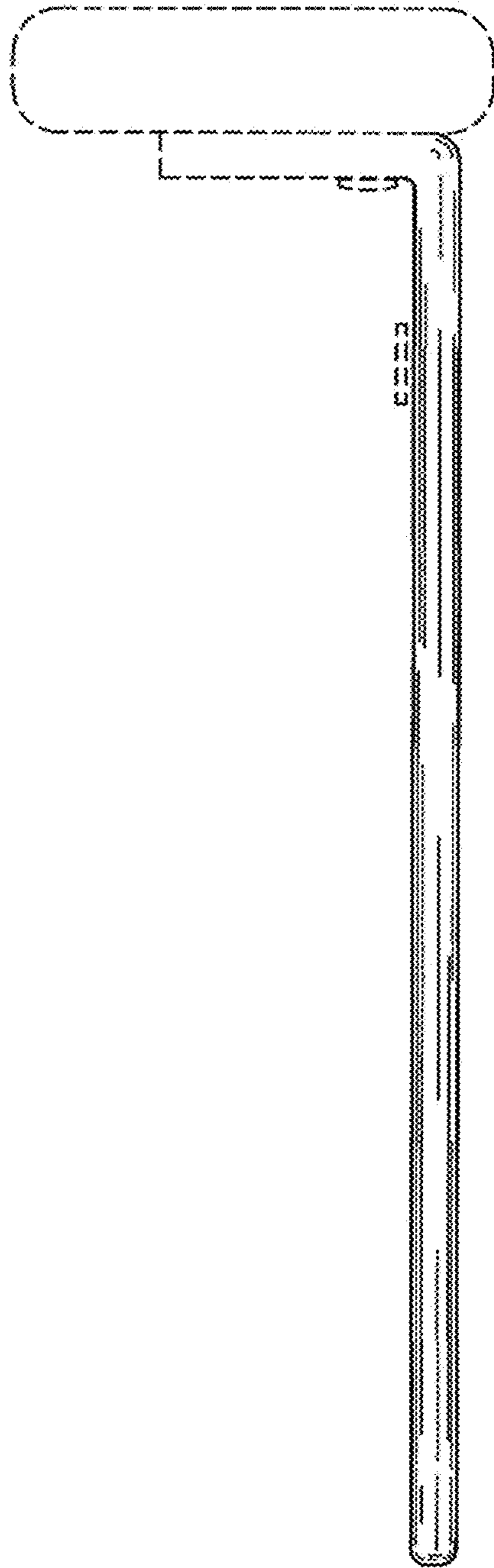


FIG.5

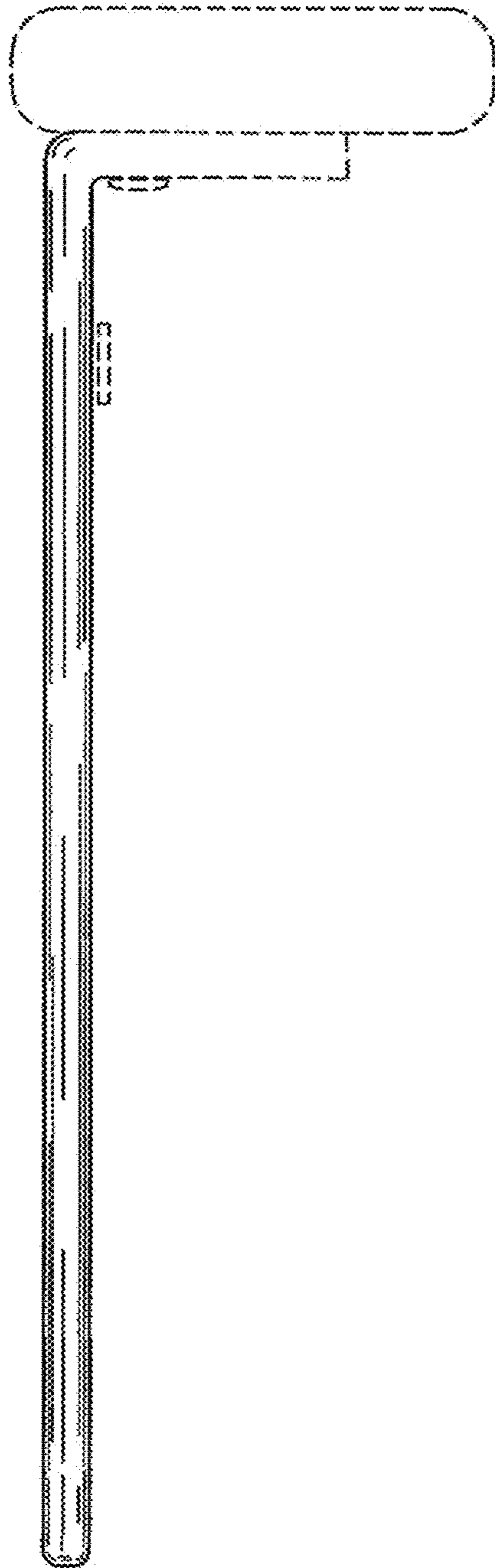


FIG.6

