



US00D806389S

(12) **United States Design Patent**
Muhlenkamp, IV

(10) **Patent No.:** **US D806,389 S**
(45) **Date of Patent:** **** Jan. 2, 2018**

- (54) **DEVICE CASE**
- (71) Applicant: **GoPro, Inc.**, San Mateo, CA (US)
- (72) Inventor: **John George Muhlenkamp, IV**,
Brisbane, CA (US)
- (73) Assignee: **GoPro, Inc.**, San Mateo, CA (US)
- (**) Term: **15 Years**
- (21) Appl. No.: **29/549,863**
- (22) Filed: **Dec. 29, 2015**
- (51) **LOC (11) Cl.** **03-01**
- (52) **U.S. Cl.**
USPC **D3/295**
- (58) **Field of Classification Search**
USPC D3/273, 276, 279, 281, 282, 284, 288,
D3/291, 292, 294, 295, 297, 298, 302,
D3/901, 905
CPC .. B25H 3/02-3/028; B25H 3/00; B25H 3/003
See application file for complete search history.

(56) **References Cited**

U.S. PATENT DOCUMENTS

D458,751 S *	6/2002	Hsieh	D3/273
D527,182 S *	8/2006	Ham	D3/274
D702,438 S *	4/2014	Chen	D3/294
D718,048 S *	11/2014	Hsu	D3/273
D718,049 S *	11/2014	Hsu	D3/273
D727,622 S *	4/2015	Hile	D3/294
D728,223 S *	5/2015	Setre Shens	D3/232
D738,110 S *	9/2015	Jiang	D3/294
D740,025 S *	10/2015	Phan	D3/294
D749,847 S *	2/2016	Koeniger	D3/294
D749,848 S *	2/2016	Koeniger	D3/294
D772,572 S *	11/2016	Palmberg	D3/201

D778,610 S * 2/2017 Chen D3/302

* cited by examiner

Primary Examiner — Sandra Snapp

Assistant Examiner — Holly E Thurman

(74) *Attorney, Agent, or Firm* — Fenwick & West LLP

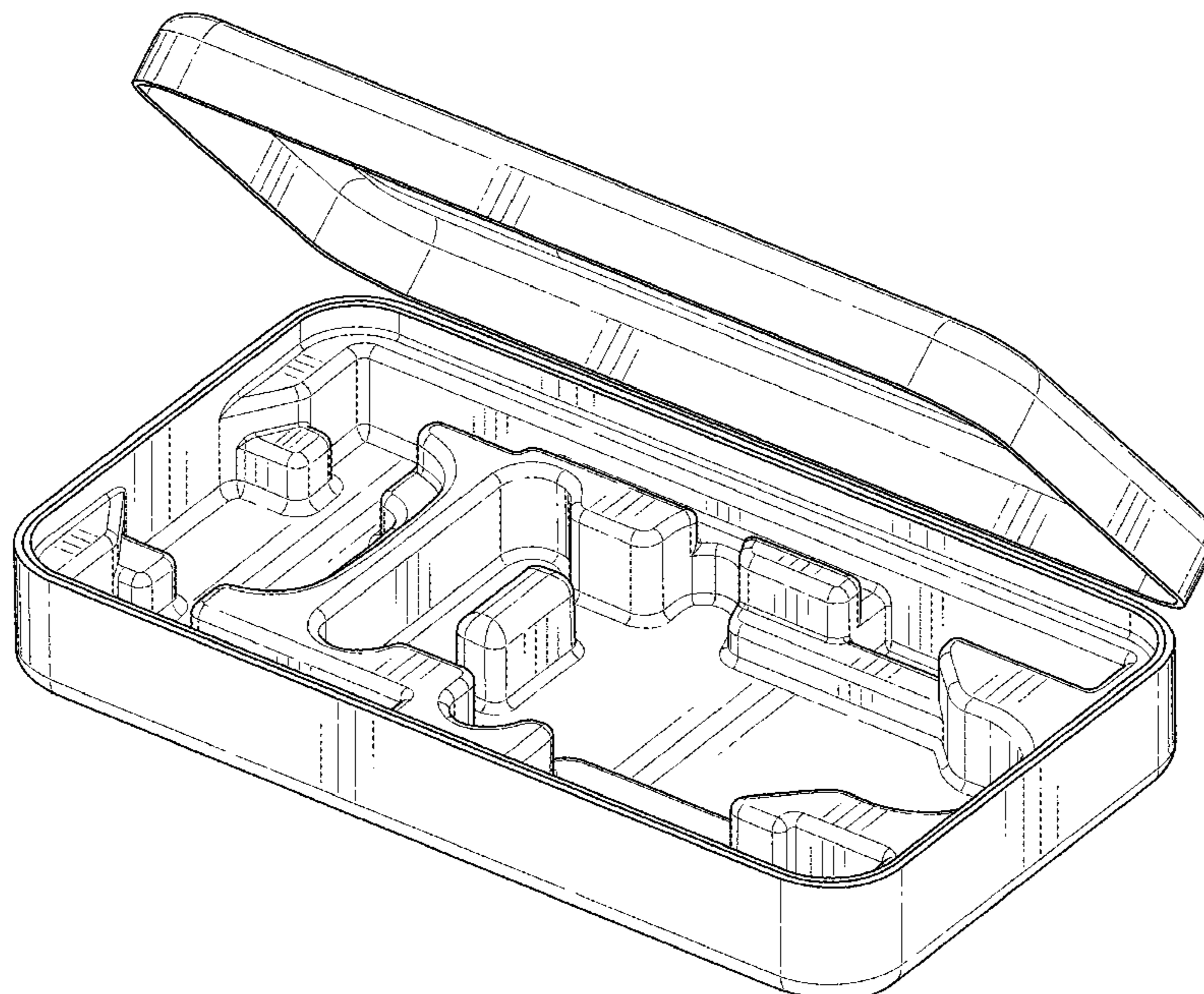
(57) **CLAIM**

The ornamental design for a device case, as shown and described.

DESCRIPTION

FIG. 1 is a front, top, right perspective view of a device case including a lid and a base;
 FIG. 2 is a front, top, and left perspective view thereof;
 FIG. 3 is a rear, top, left perspective view of the base of the device case of FIG. 1, shown separately for ease of illustration;
 FIG. 4 is a rear, top, and right perspective view thereof;
 FIG. 5 is a front view thereof;
 FIG. 6 is a rear view thereof;
 FIG. 7 is a left view thereof;
 FIG. 8 is a right view thereof;
 FIG. 9 is a top view thereof;
 FIG. 10 is a bottom view thereof;
 FIG. 11 is a front, top, right perspective view of the lid of the device case of FIG. 1, shown separately for ease of illustration;
 FIG. 12 is a front, bottom, and left perspective view thereof;
 FIG. 13 is a front view thereof;
 FIG. 14 is a rear view thereof;
 FIG. 15 is a left view thereof;
 FIG. 16 is a right view thereof;
 FIG. 17 is a top view thereof; and,
 FIG. 18 is a bottom view thereof.

1 Claim, 18 Drawing Sheets



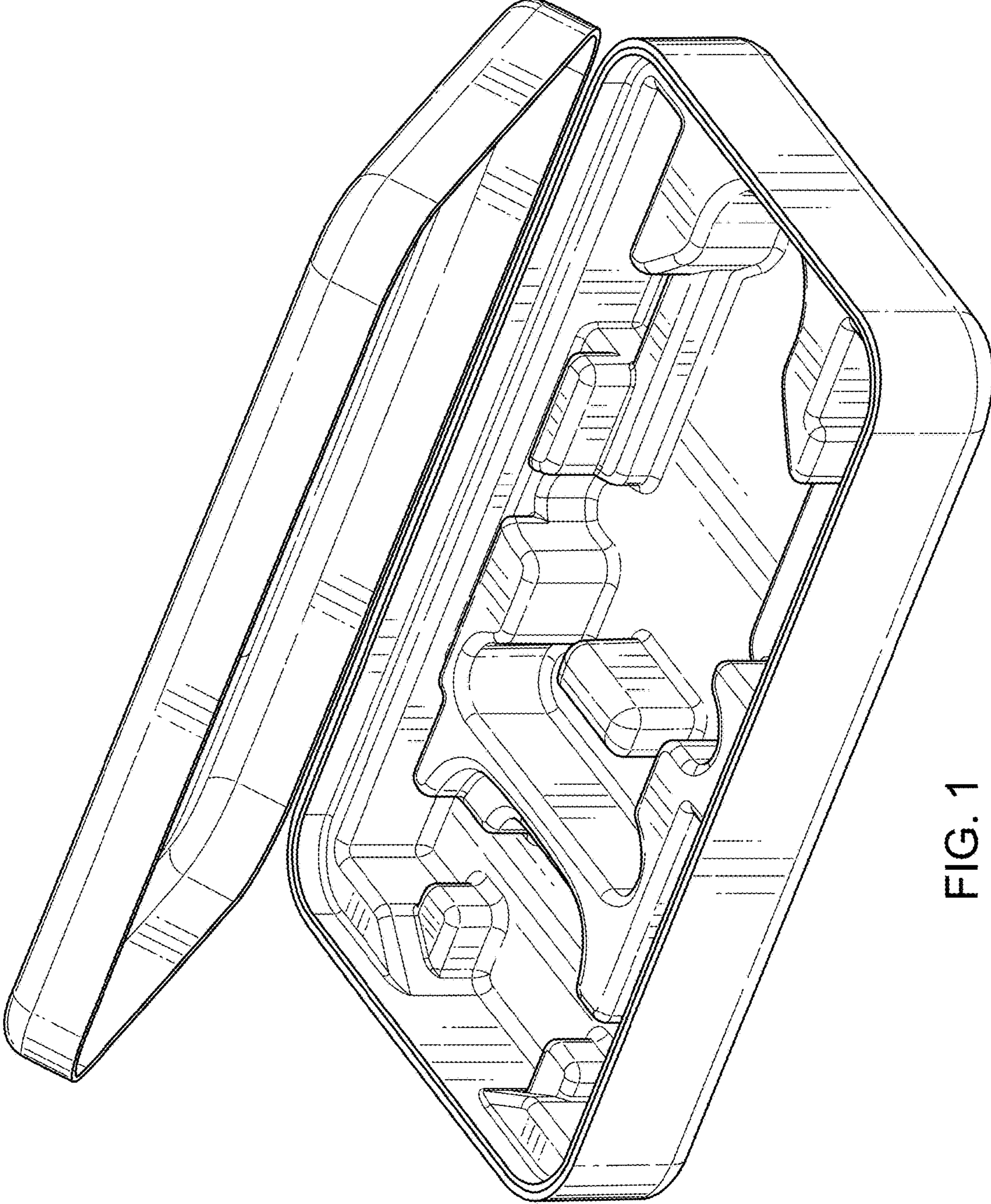


FIG. 1

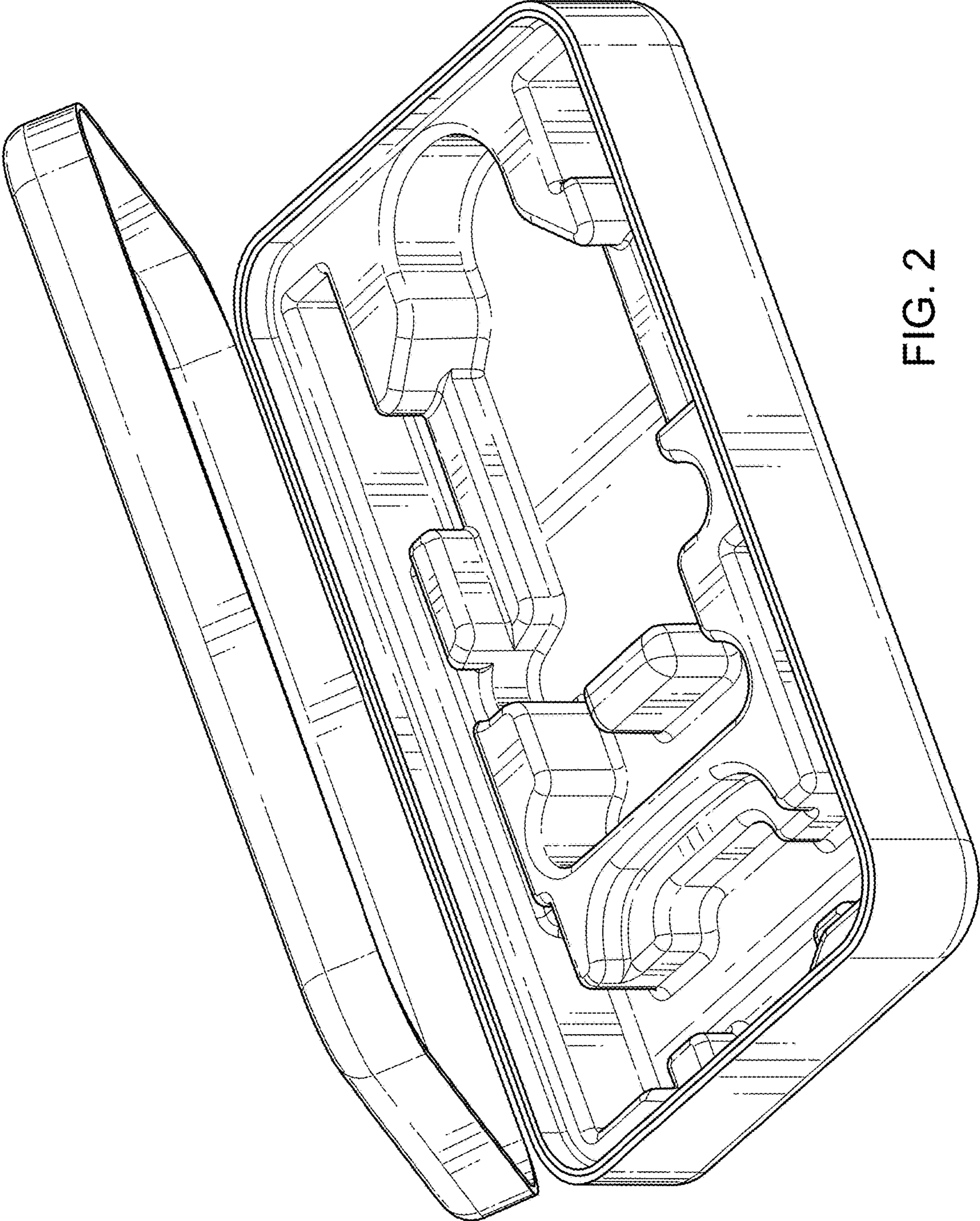


FIG. 2

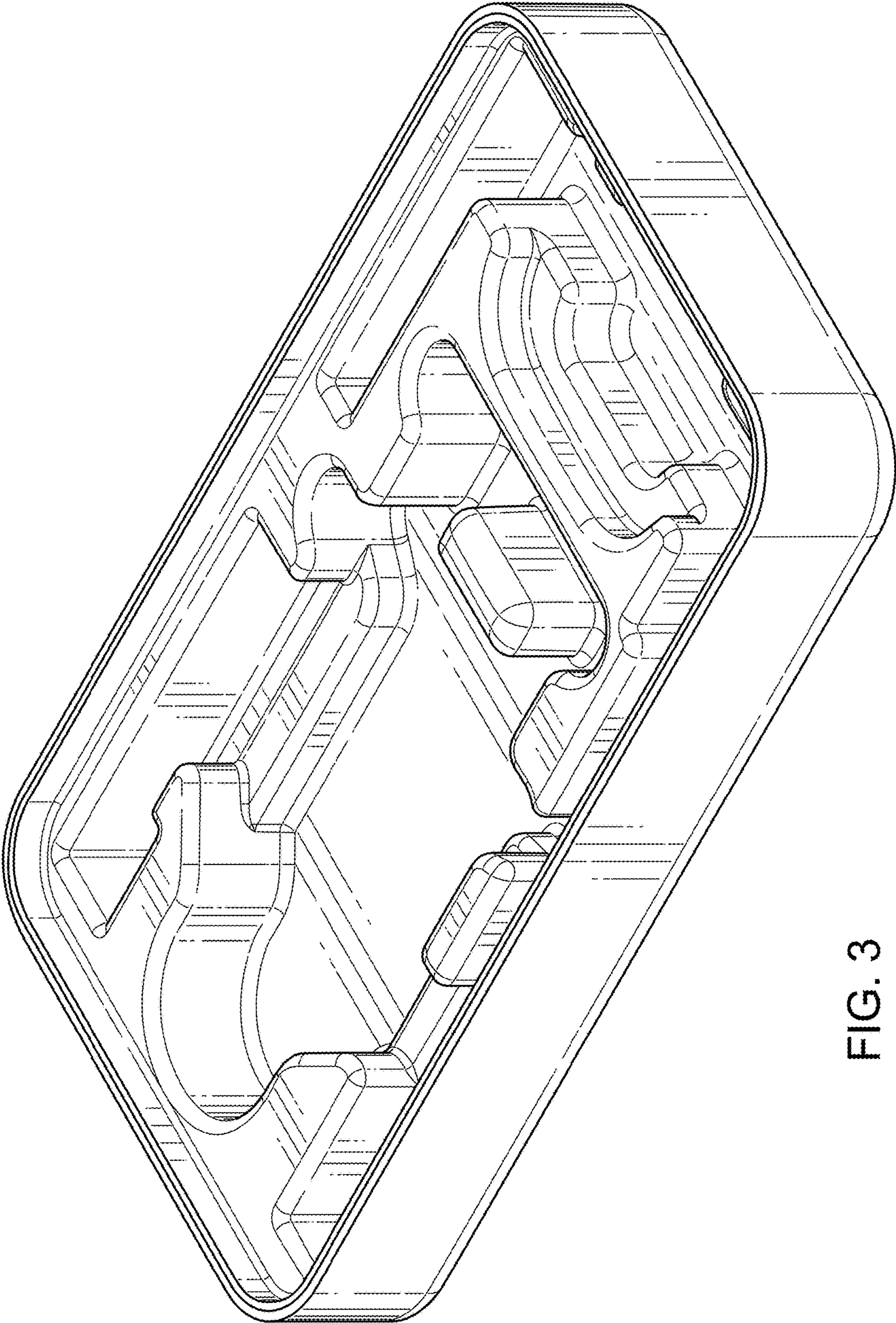


FIG. 3

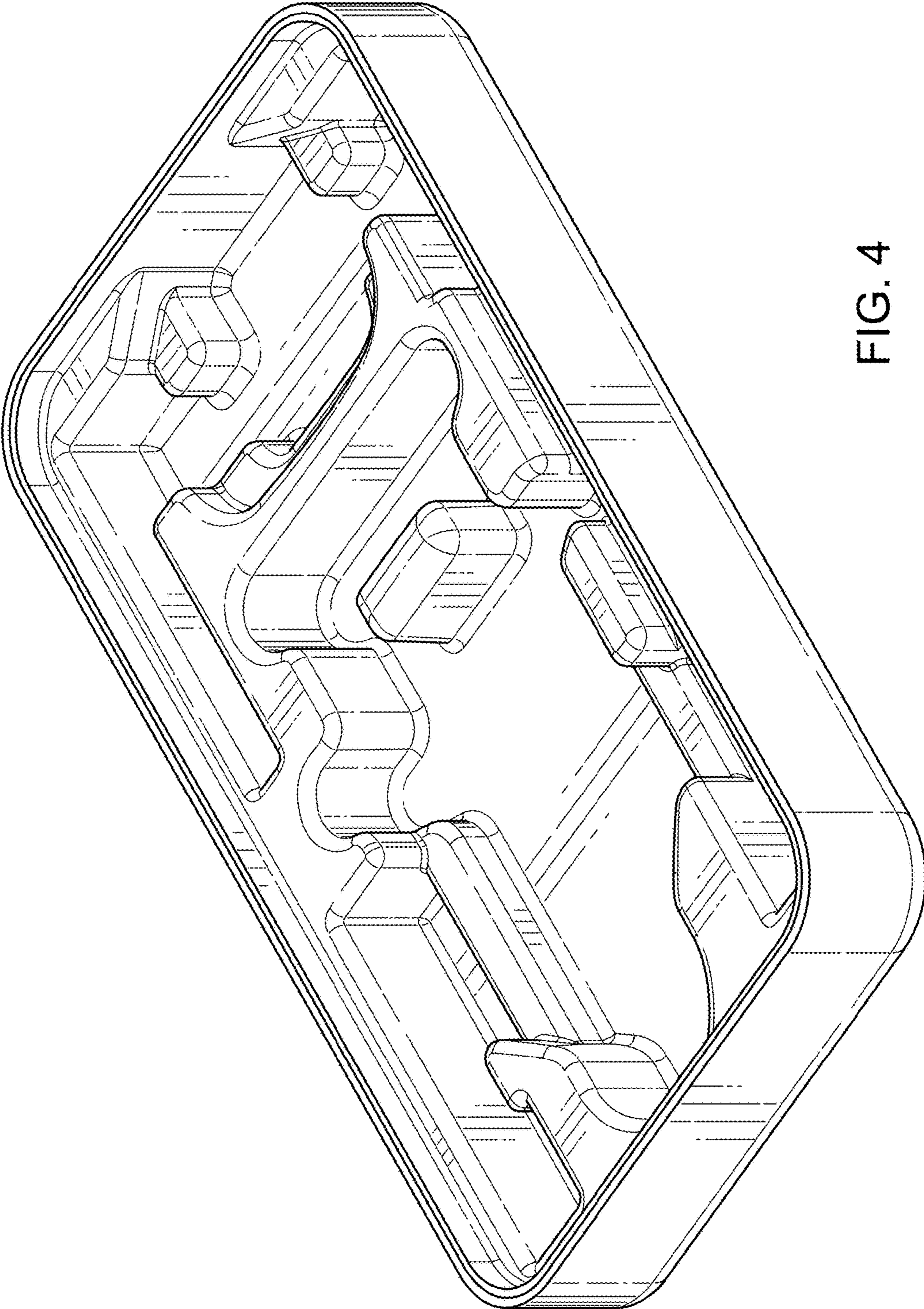


FIG. 4

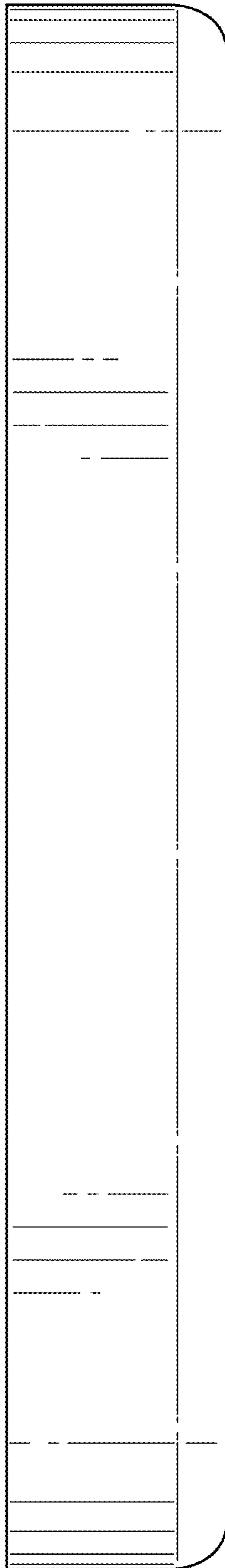


FIG. 5

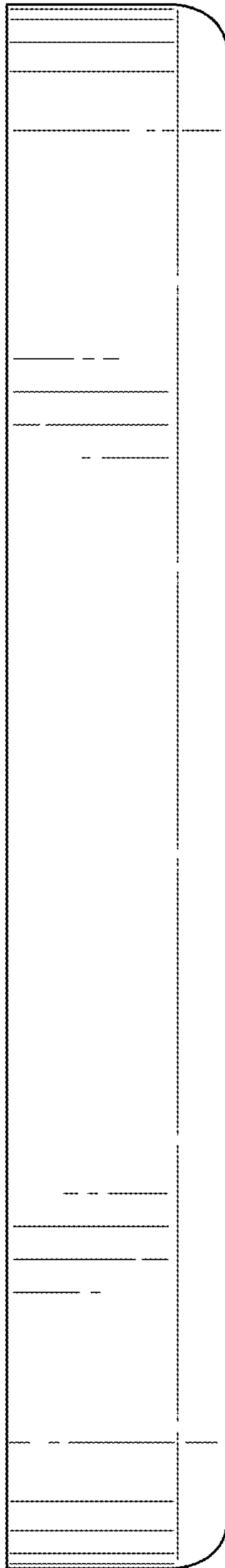


FIG. 6

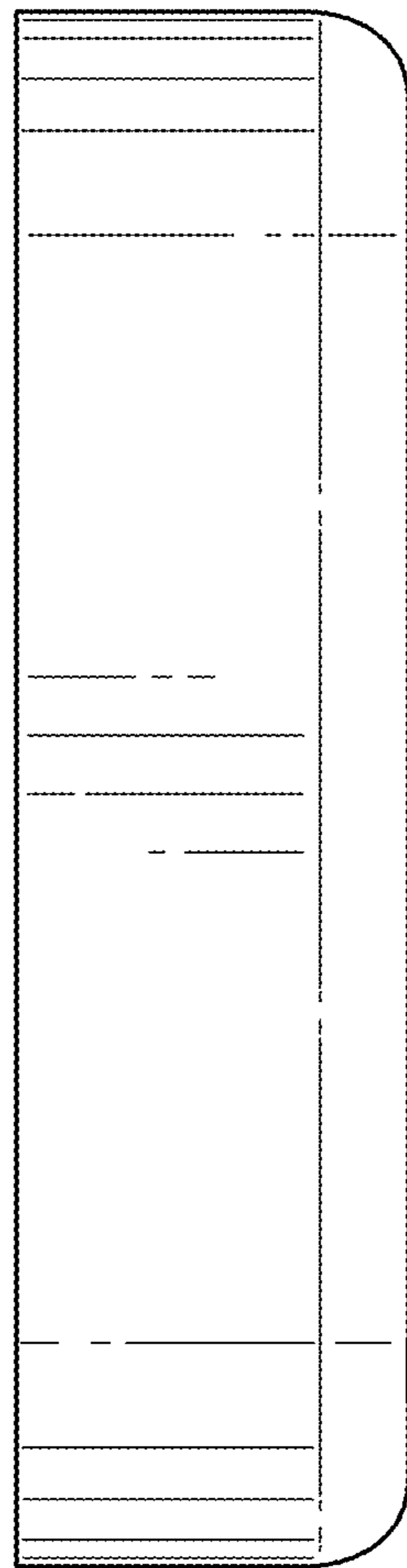


FIG. 7

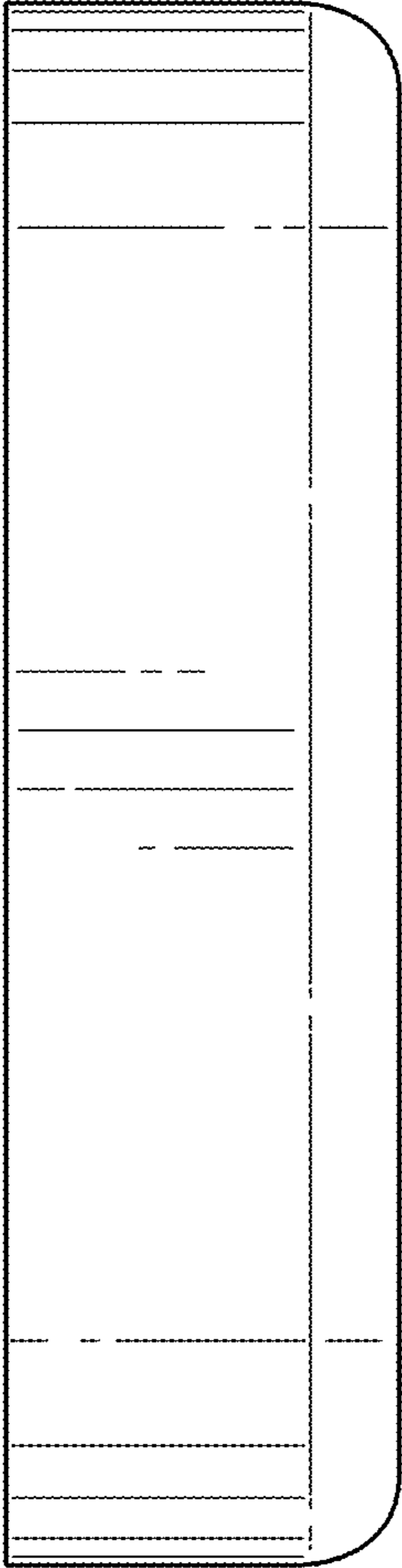


FIG. 8

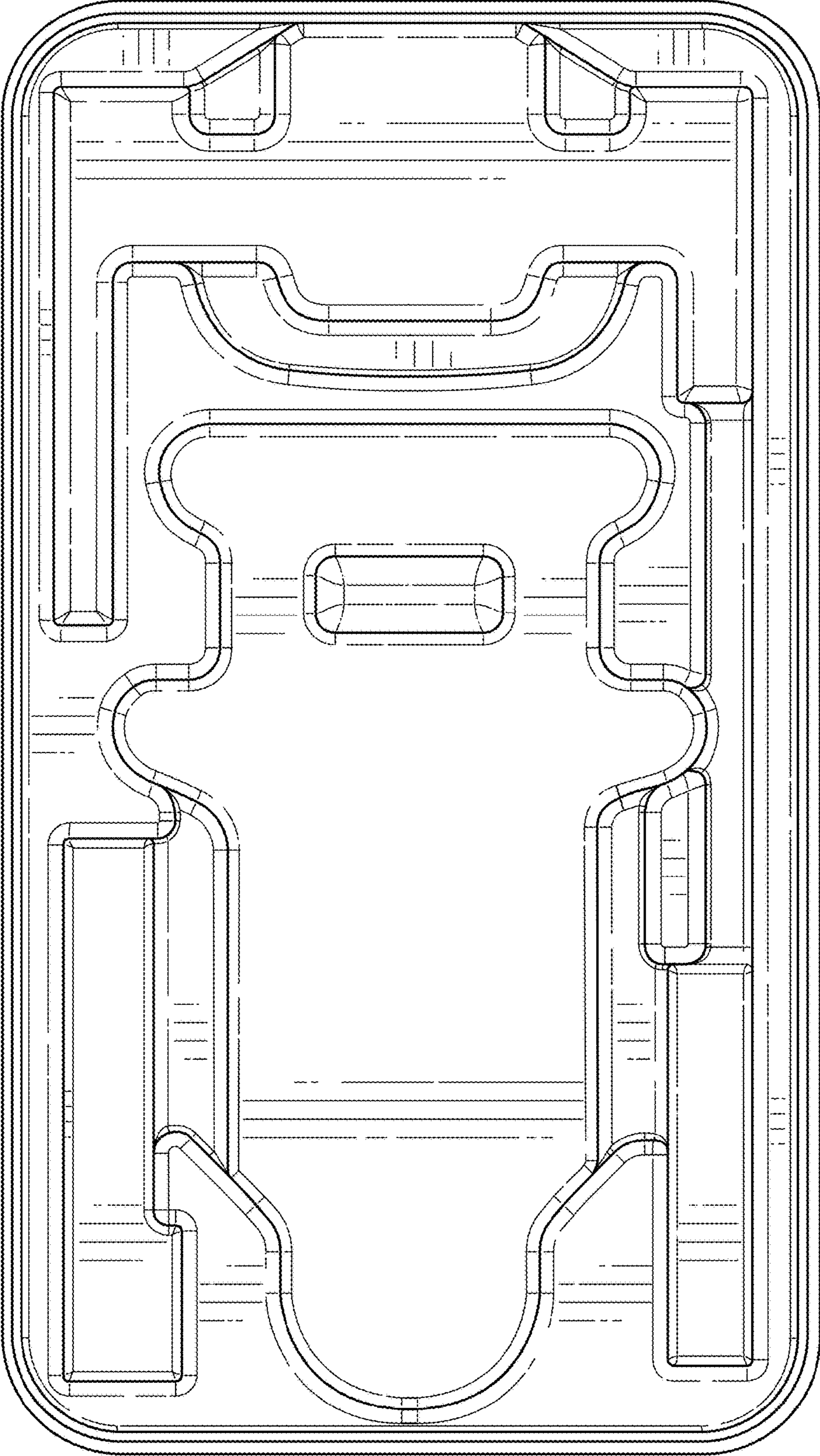


FIG. 9

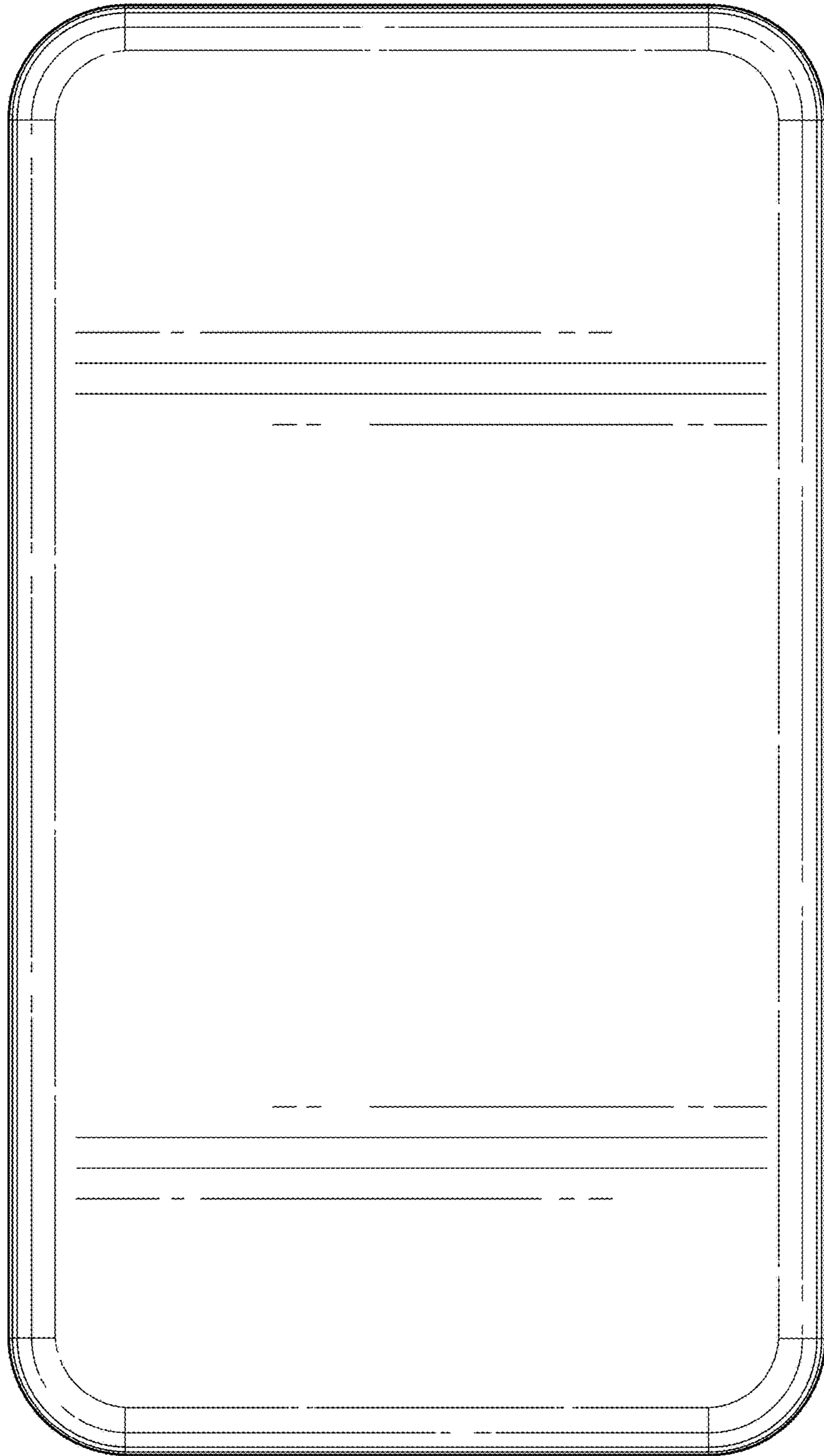


FIG. 10

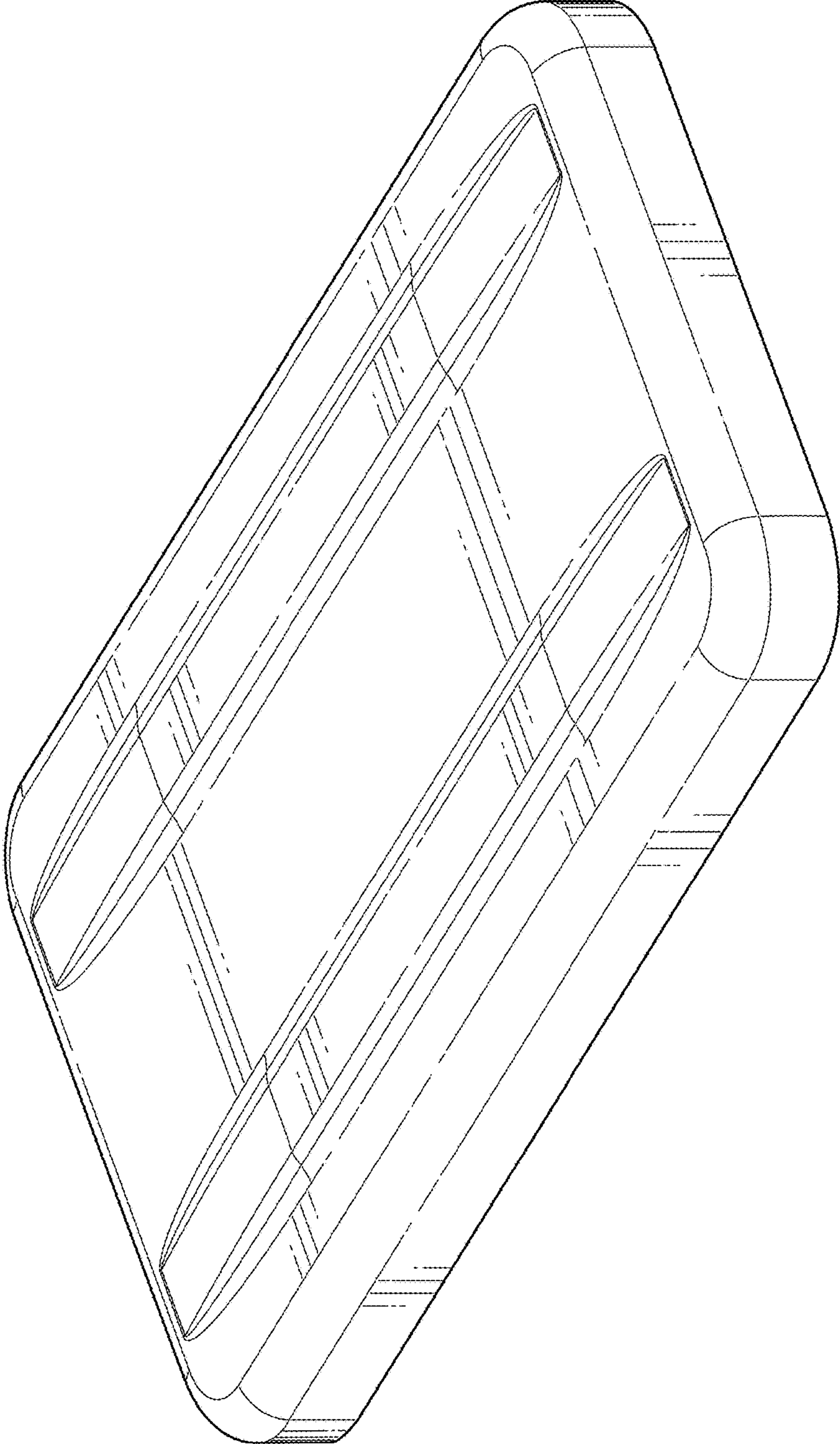


FIG. 11

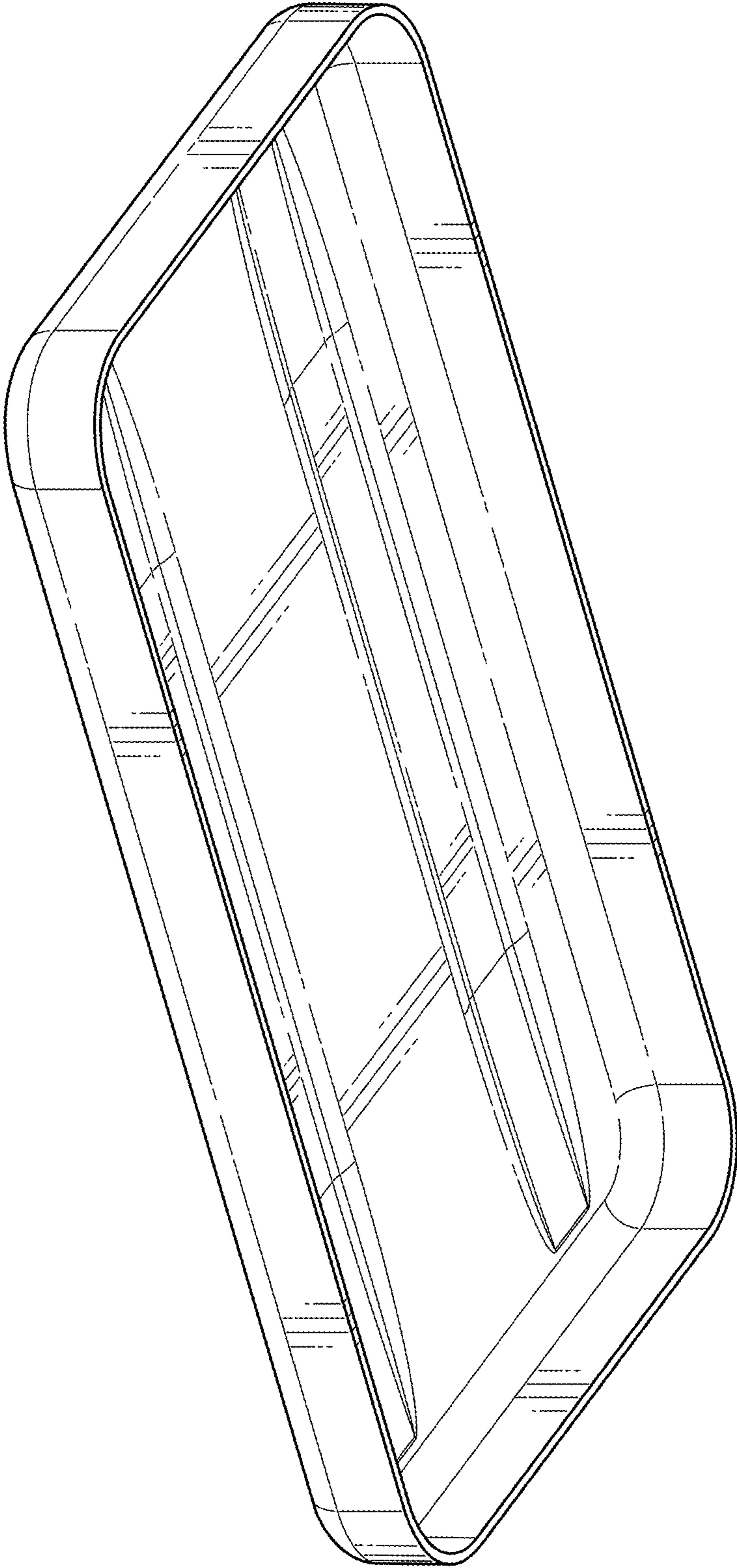


FIG. 12

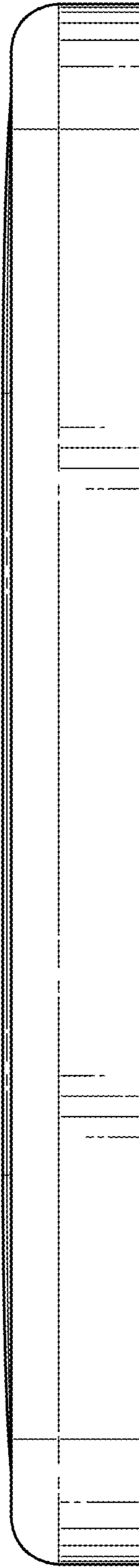


FIG. 13

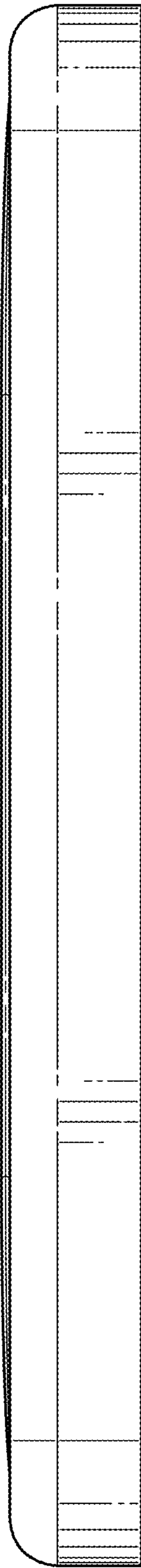


FIG. 14

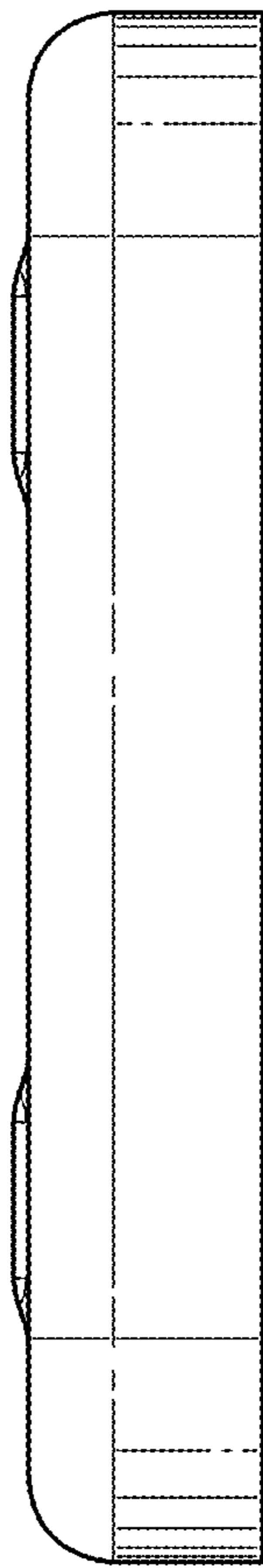


FIG. 15

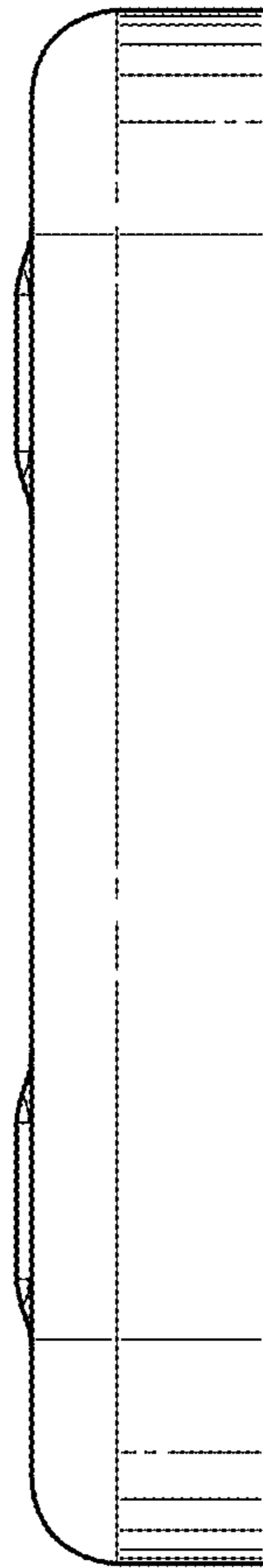


FIG. 16

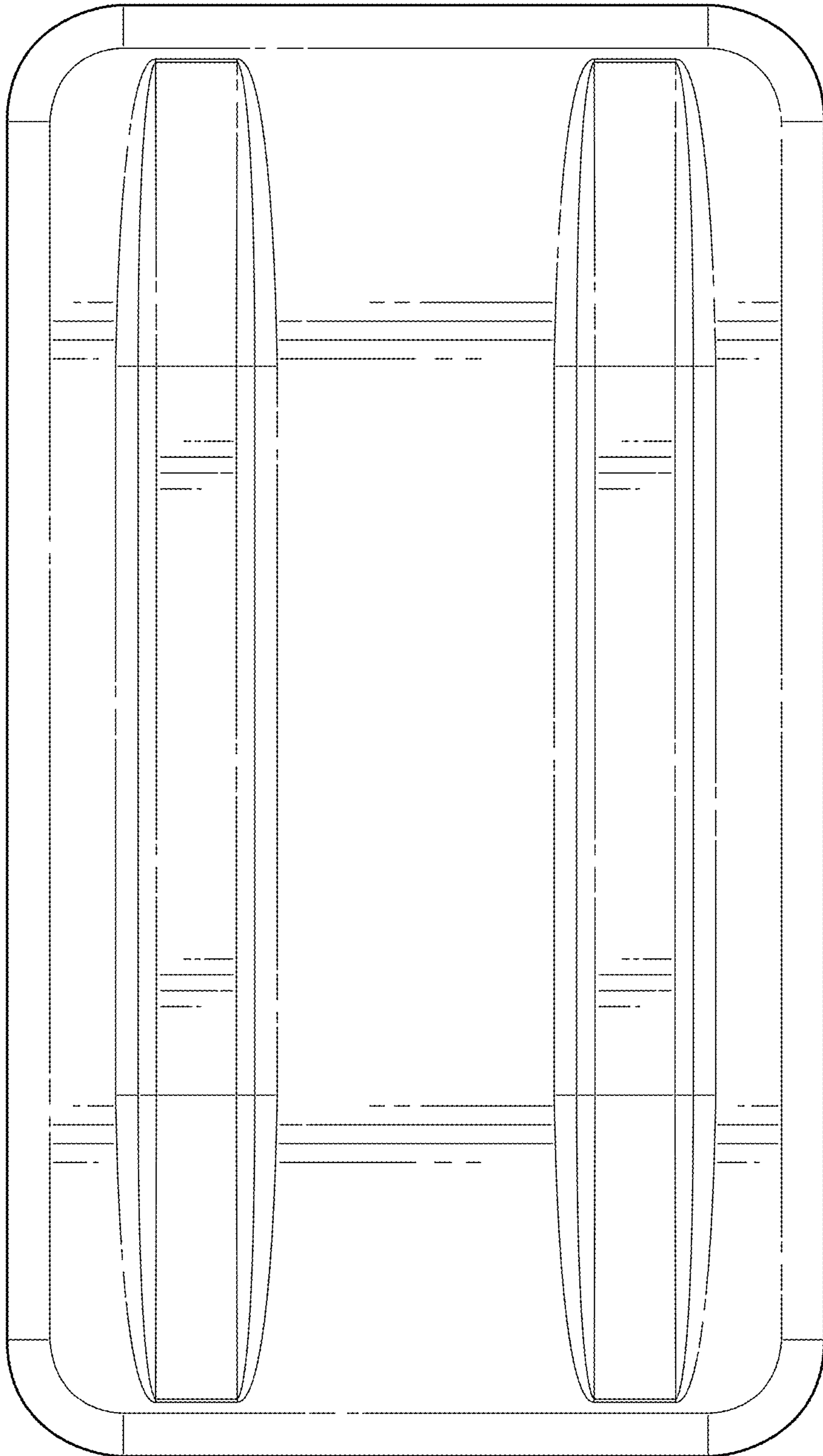


FIG. 17

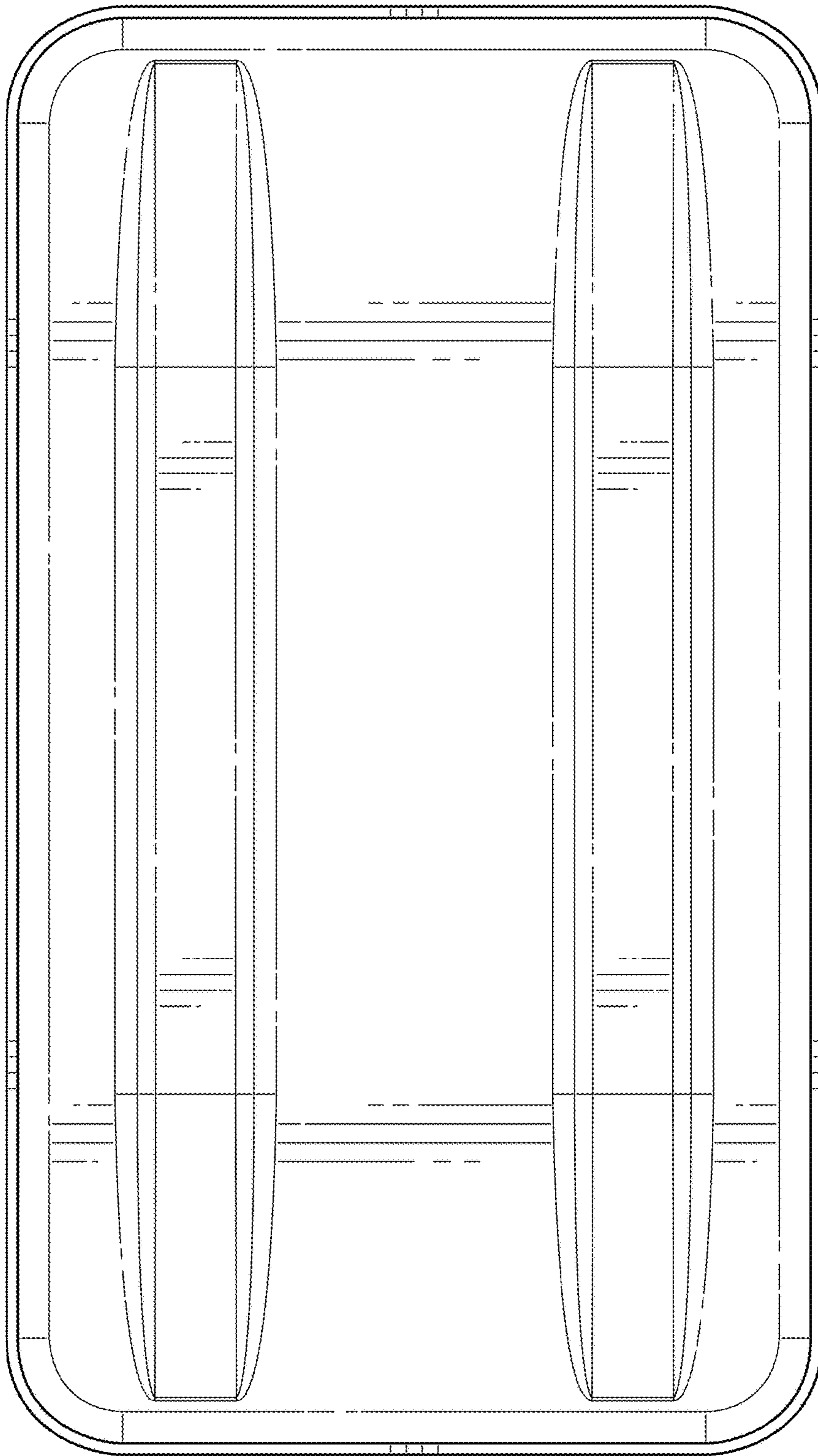


FIG. 18