



US00D806387S

(12) **United States Design Patent**  
**Tillmann**

(10) **Patent No.:** **US D806,387 S**

(45) **Date of Patent:** **\*\* Jan. 2, 2018**

(54) **CONTACT LENS CASE**

(71) Applicant: **TJSC OPTIX INC**, Longwood, FL (US)

(72) Inventor: **John Tillmann**, Longwood, FL (US)

(73) Assignee: **John Tillman**, Longwood, FL (US)

(\*\*) Term: **15 Years**

(21) Appl. No.: **29/584,288**

(22) Filed: **Nov. 14, 2016**

(51) **LOC (11) Cl.** ..... **03-01**

(52) **U.S. Cl.**  
USPC ..... **D3/264**

(58) **Field of Classification Search**  
USPC ..... D3/219, 252, 263-265; 206/5, 5.1, 6  
CPC ..... A45C 11/04; A45C 11/005; A45C 11/38;  
A45C 11/06; A45C 2011/001; G02C  
3/04; A47F 7/021

See application file for complete search history.

(56) **References Cited**

**U.S. PATENT DOCUMENTS**

D208,166	S *	7/1967	Hueber et al.	.....	D3/264
D285,744	S *	9/1986	Vinot	.....	D3/264
D289,923	S *	5/1987	Hoogesteger	.....	D24/218
4,996,027	A	2/1991	Kanner		
5,433,314	A *	7/1995	Lin	.....	A45C 11/005 134/901
D498,590	S *	11/2004	Borovsky	.....	D3/263
6,868,963	B2 *	3/2005	Borovsky	.....	A45C 11/005 206/5.1
D512,565	S *	12/2005	Sasso	.....	D3/263
D551,448	S *	9/2007	Stull	.....	D3/264
D570,113	S *	6/2008	Maraia	.....	D3/263
8,251,205	B2 *	8/2012	Azera	.....	A45C 11/005 206/5.1
D714,051	S *	9/2014	Priebe	.....	D3/264
D714,052	S *	9/2014	Priebe	.....	D3/264

D720,532	S *	1/2015	Priebe	.....	D3/264
D784,694	S *	4/2017	Priebe	.....	D3/264
2004/0140229	A1 *	7/2004	Borovsky	.....	A45C 11/005 206/5.1
2005/0109638	A1 *	5/2005	Eastman	.....	A45C 11/005 206/5.1
2006/0011496	A1 *	1/2006	Mangabeira Nunez	.....	A45C 11/005 206/5.1
2006/0102496	A1 *	5/2006	Christy	.....	A45C 11/005 206/5.1

(Continued)

**OTHER PUBLICATIONS**

OptiCase 4 Pack, Amazon.com, [online], [site visited Oct. 6, 2017].  
<URL: [https://www.amazon.com/OptiCase-Pack-Contact-shaped-bottom/dp/B072C2X8B8?ref=ast\\_p\\_ep](https://www.amazon.com/OptiCase-Pack-Contact-shaped-bottom/dp/B072C2X8B8?ref=ast_p_ep)> (Year: 2017).\*

(Continued)

*Primary Examiner* — T. Chase Nelson

*Assistant Examiner* — Jonathan J. Han

(74) *Attorney, Agent, or Firm* — Matthew G. McKinney

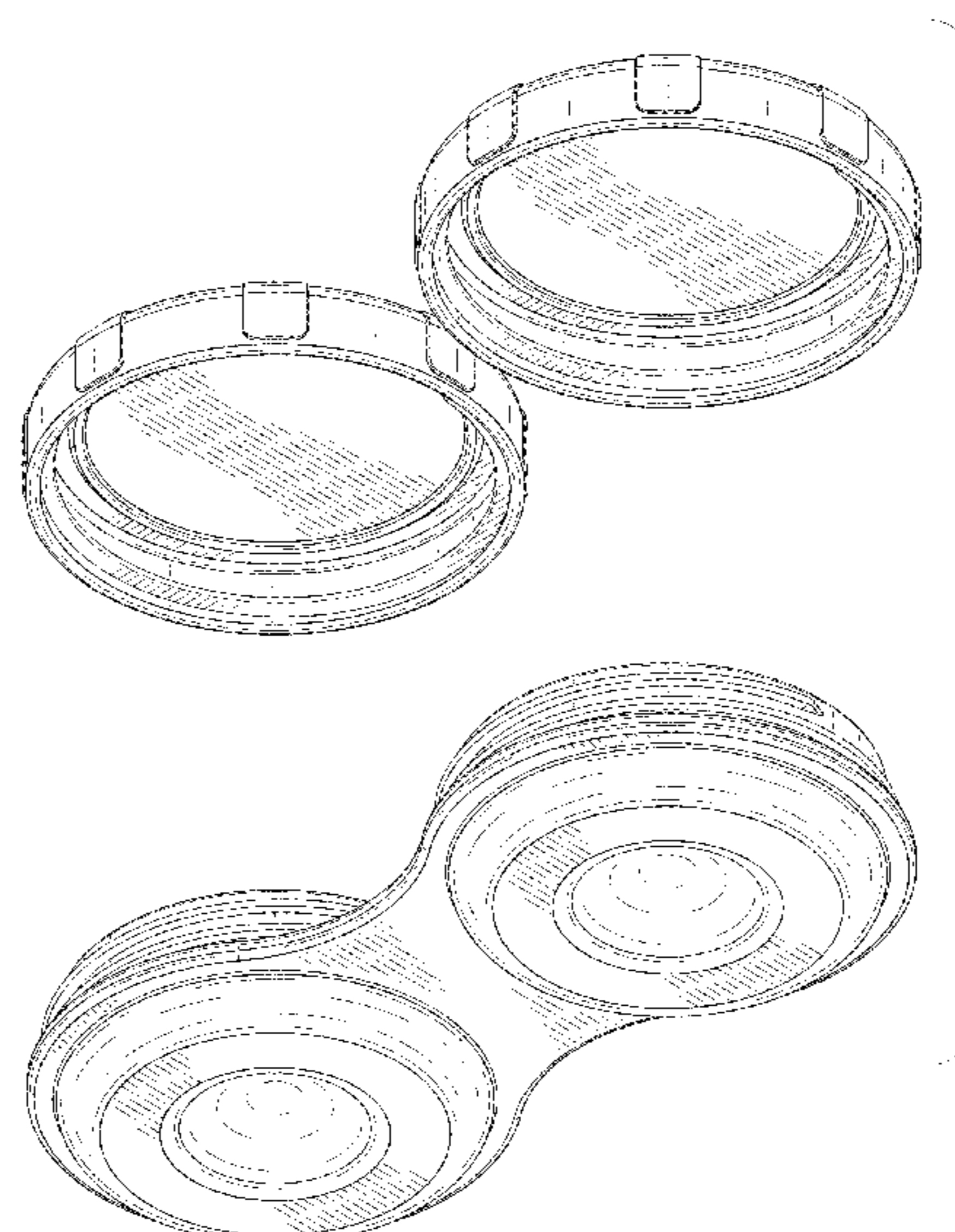
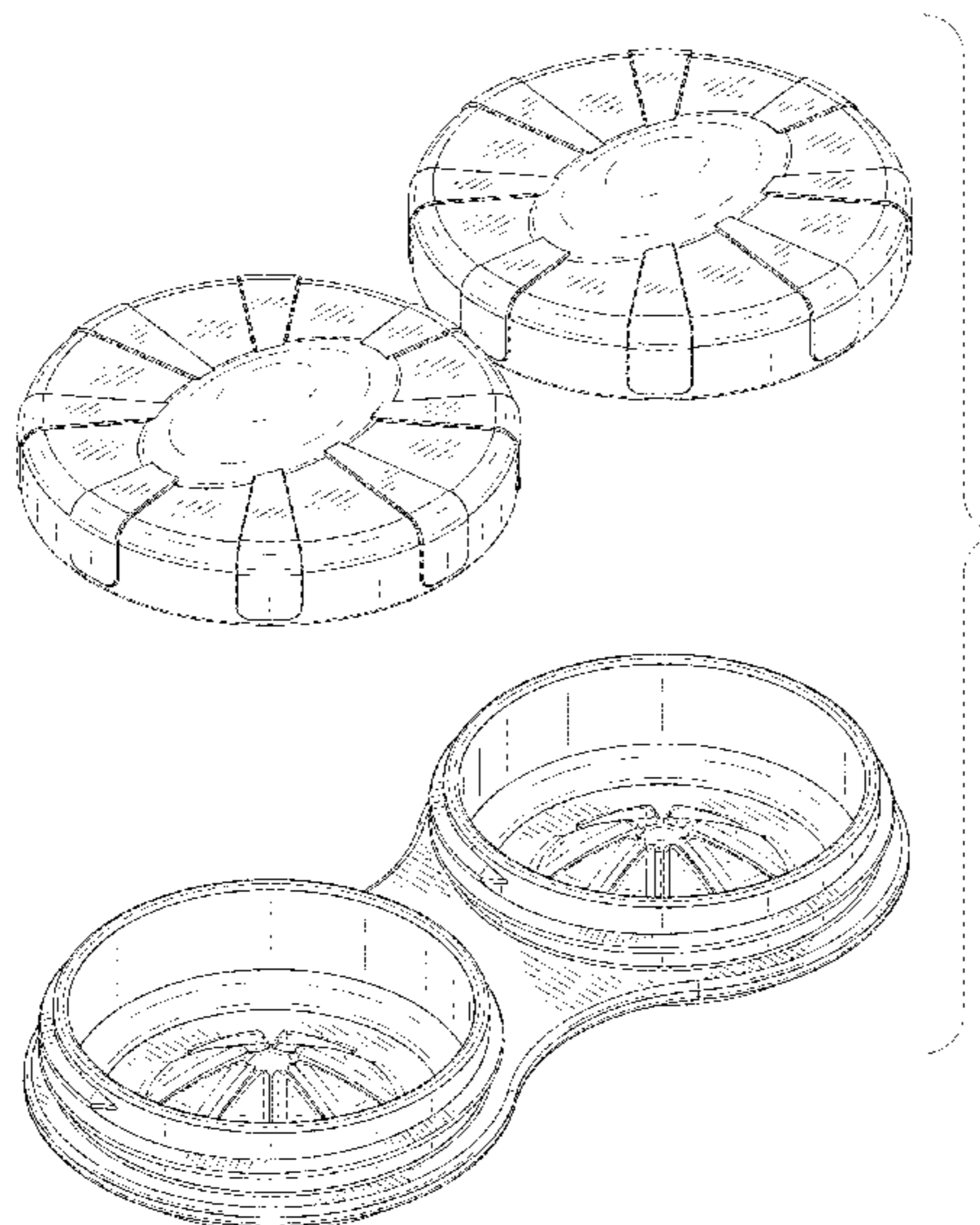
(57) **CLAIM**

The ornamental design for a contact lens case, as shown and described.

**DESCRIPTION**

FIG. 1 is a front perspective view of a contact lens case showing my new design;  
FIG. 2 is a rear perspective view thereof;  
FIG. 3 is a bottom perspective view thereof;  
FIG. 4 is a top plan view thereof;  
FIG. 5 is a bottom plan view thereof;  
FIG. 6 is a left side elevational view thereof;  
FIG. 7 is a right side elevational view thereof;  
FIG. 8 is a front elevational view thereof; and,  
FIG. 9 is a rear elevational view thereof.

**1 Claim, 8 Drawing Sheets**



(56)

**References Cited**

## U.S. PATENT DOCUMENTS

2007/0261970 A1\* 11/2007 Stull ..... A45C 11/005  
206/5.1  
2008/0179200 A1\* 7/2008 O'Hara ..... A45C 11/005  
206/5.1  
2009/0084305 A1\* 4/2009 Song ..... A45C 11/005  
116/308  
2010/0122917 A1\* 5/2010 Azera ..... A45C 11/005  
206/5.1  
2013/0220851 A1\* 8/2013 Priebe ..... A45C 11/005  
206/234

## OTHER PUBLICATIONS

OptiCase, ContactLensKit.com, [online], [site visited Oct. 6, 2017].  
<URL: <https://www.contactlenskit.com/opticase/>> (Year: 2017).\*

OptiKit—OptiWand contact lens insertion & removal tool +  
OptiCase eye shaped lens case, YouTube.com, Hot Optix, Published  
on Sep 7, 2017, [online], [site visited Oct. 6, 2017]. <URL:  
[https://www.youtube.com/watch?v=E9mLvFeCbPA  
&feature=youtu.be](https://www.youtube.com/watch?v=E9mLvFeCbPA&feature=youtu.be)> (Year: 2017).\*

Beyond Optics E-Z Find Contact Lens Case, Red (Pack of 3),  
Amazon.com, [online], [site visited Oct. 6, 2017]. <URL: [https://  
www.amazon.com/Beyond-Optics-Find-Contact-Lens/dp/  
B001IDY9DC/ref=sr\\_1\\_119\\_s\\_it?s=  
&qid=1507324022&sr=1-119](https://www.amazon.com/Beyond-Optics-Find-Contact-Lens/dp/B001IDY9DC/ref=sr_1_119_s_it?s=hpc&ie=UTF8&qid=1507324022&sr=1-119)> (Year: 2017).\*

\* cited by examiner

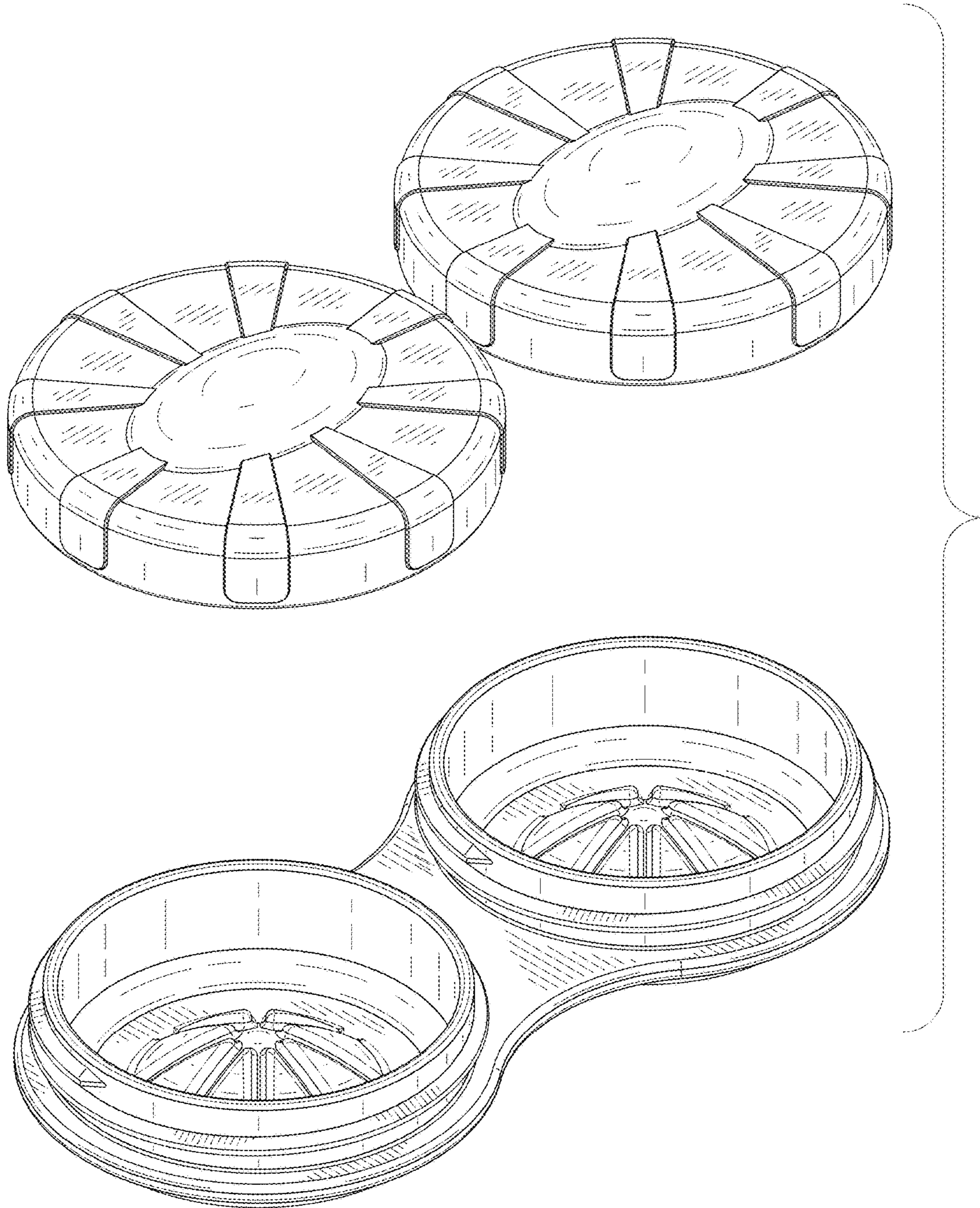


FIG. 1

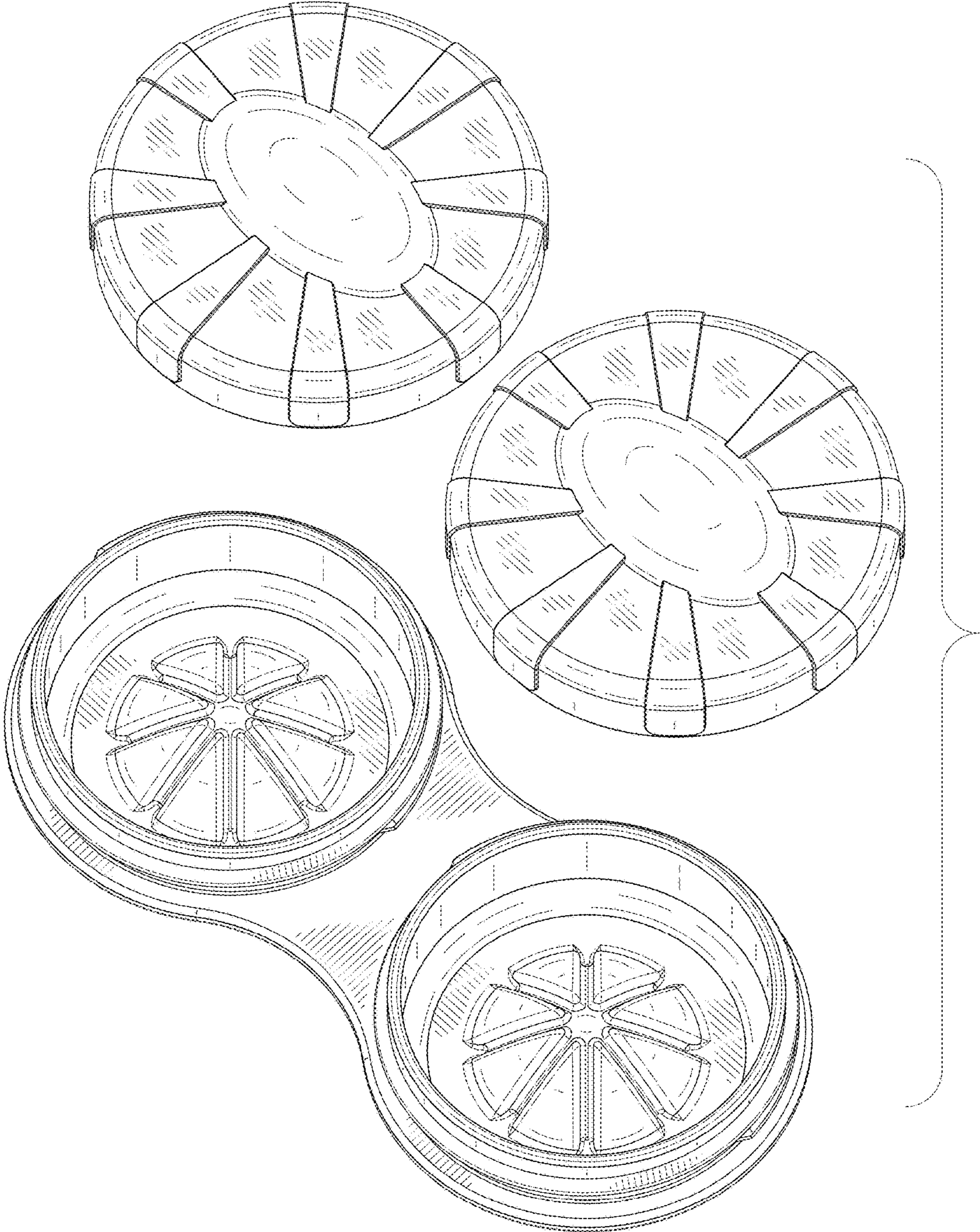


FIG. 2

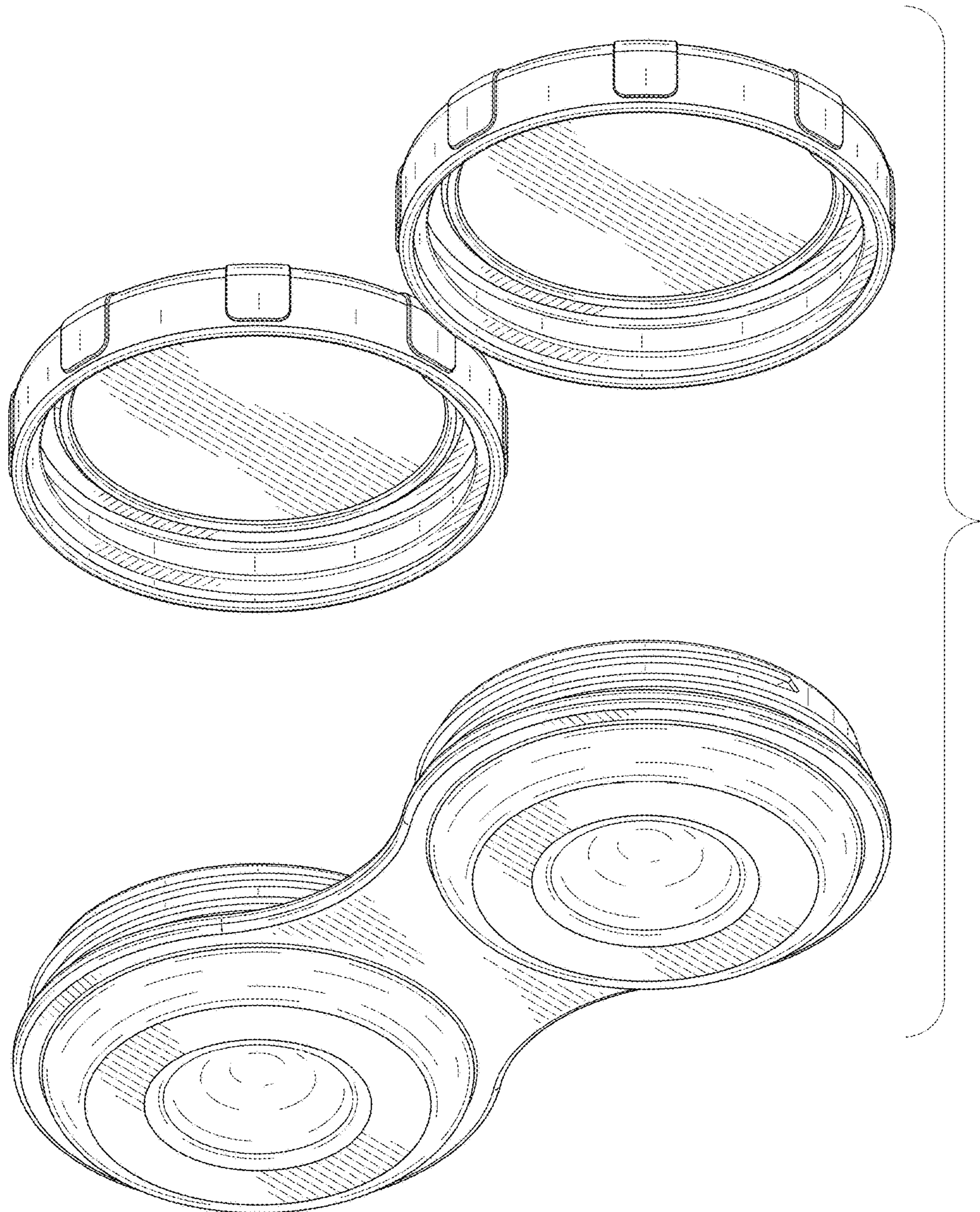


FIG. 3

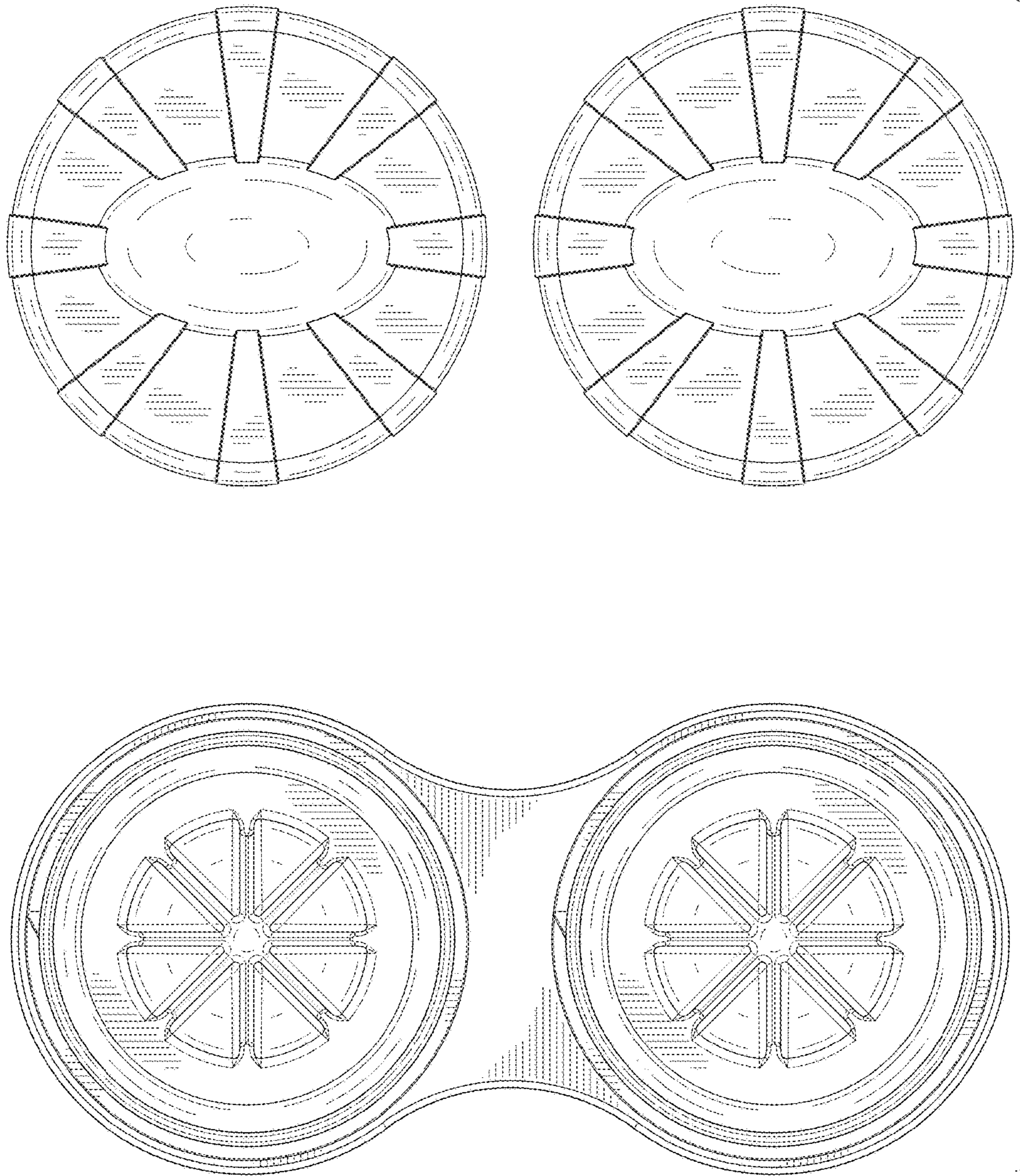


FIG. 4

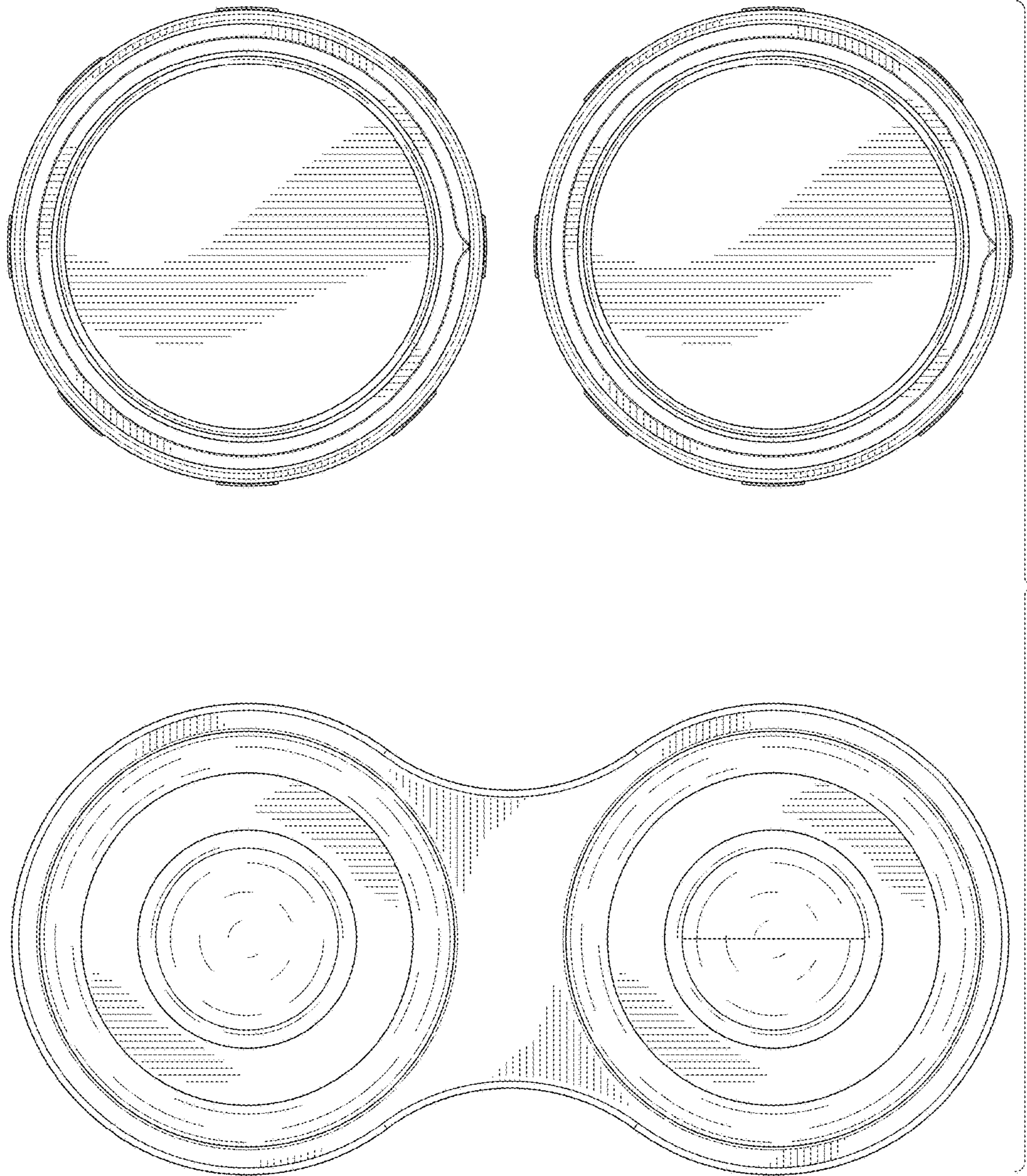


FIG. 5

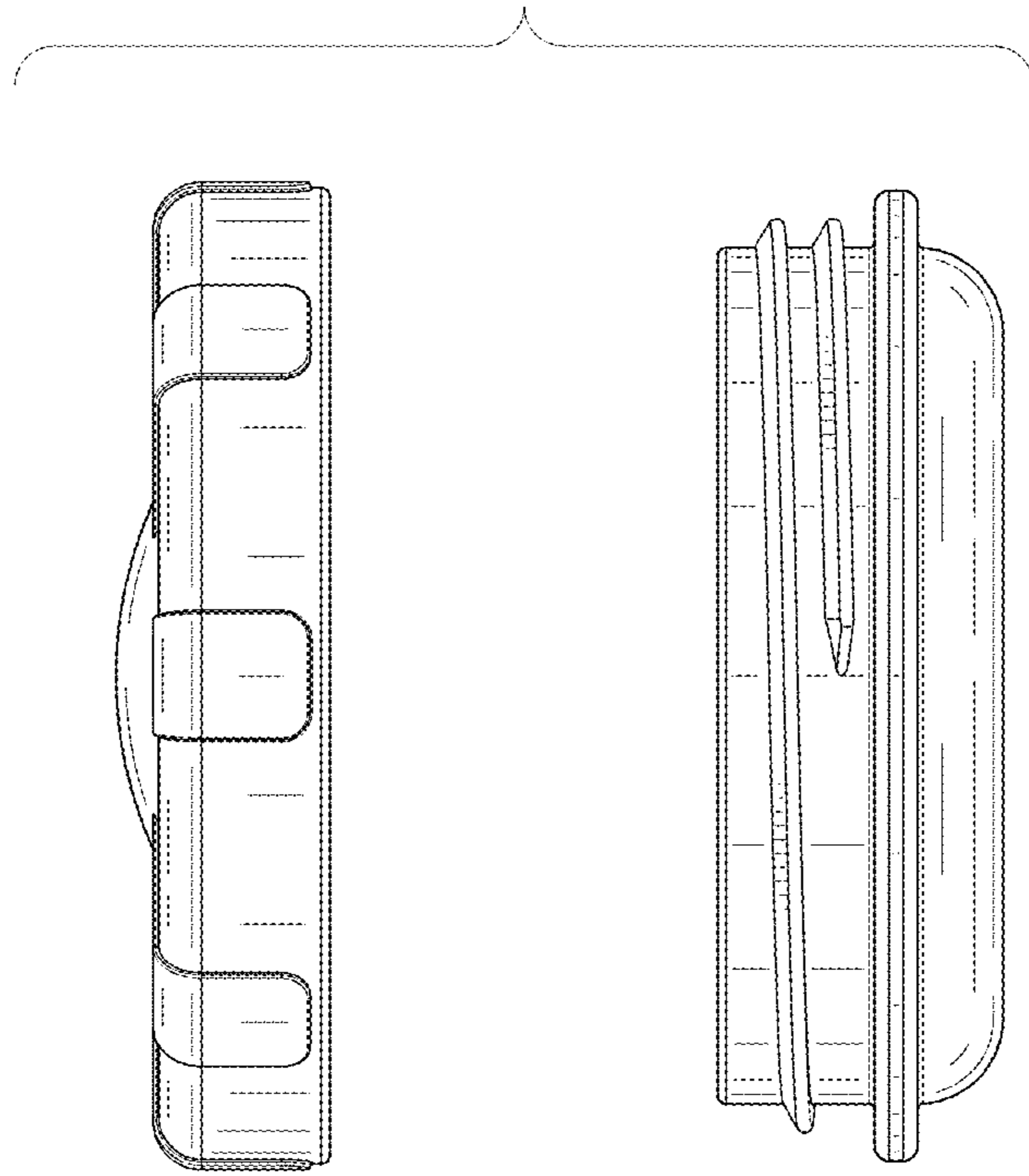


FIG. 7

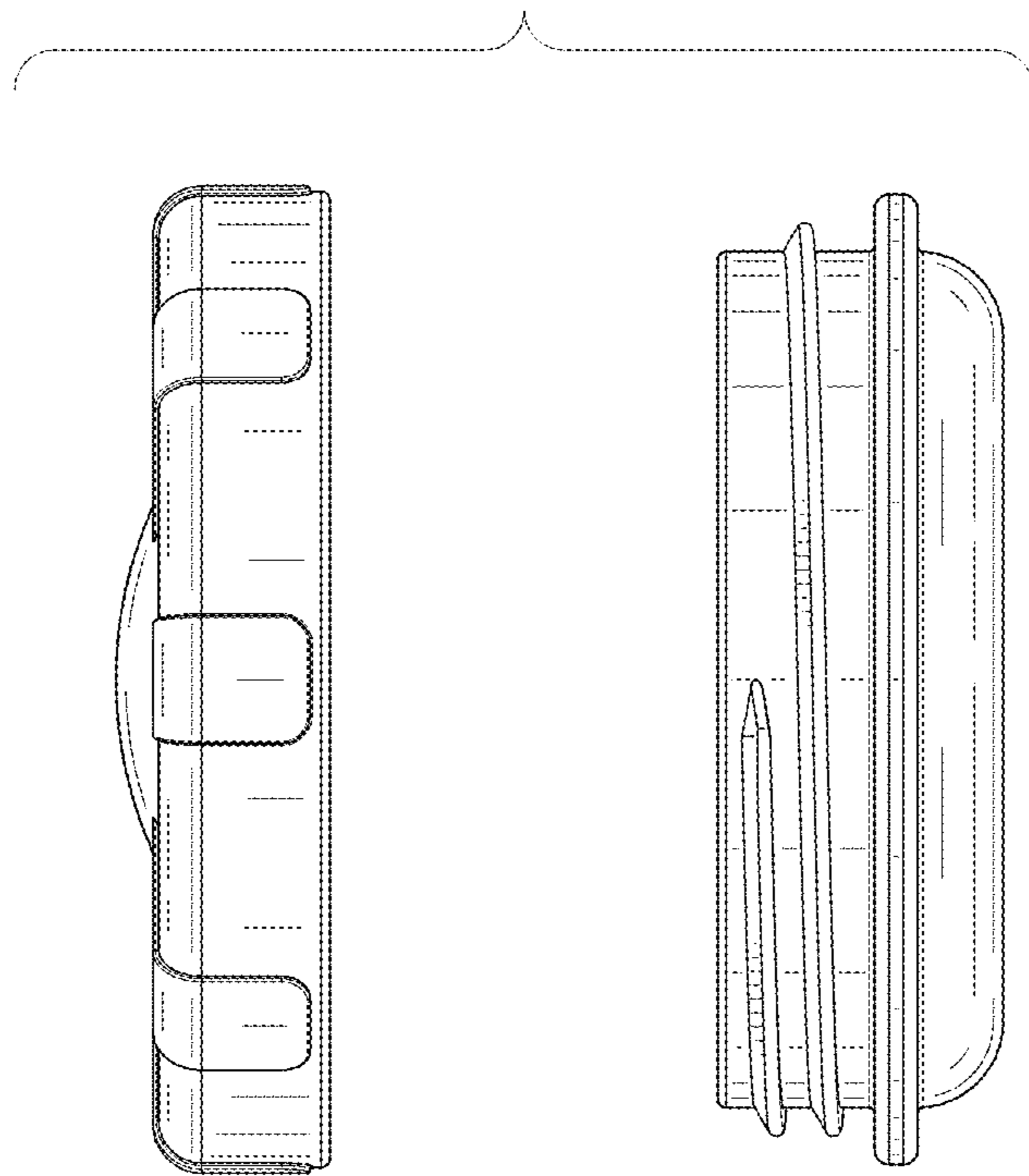


FIG. 6



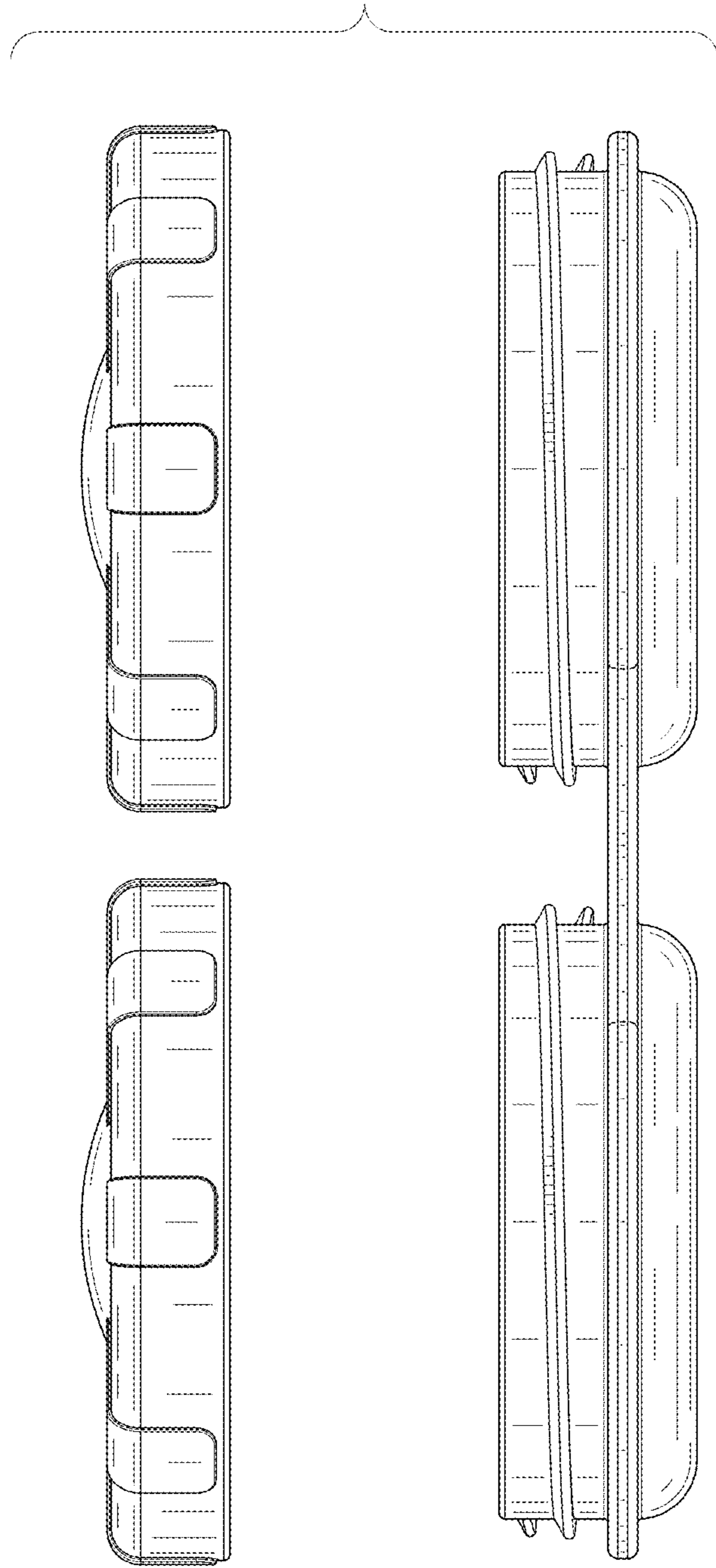


FIG. 8

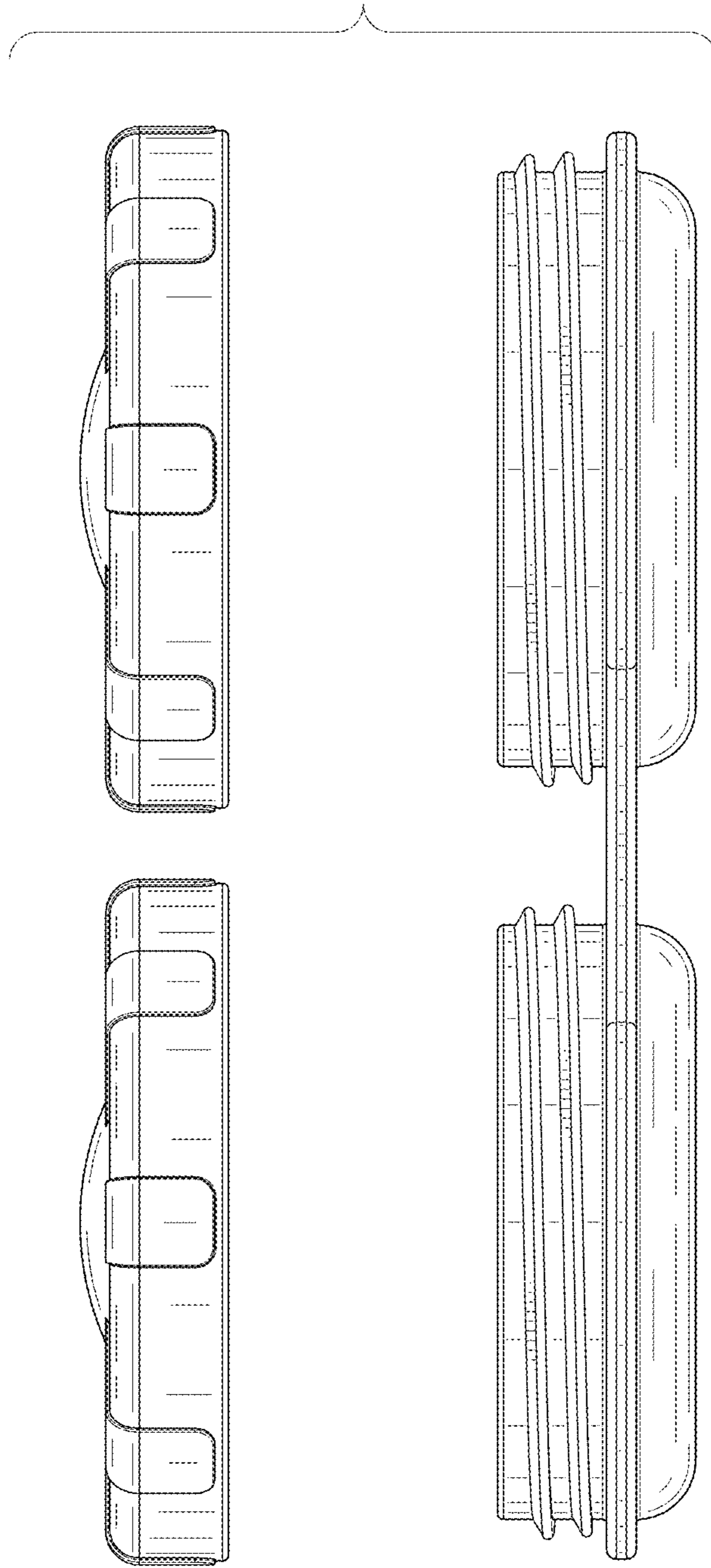


FIG. 9