



US00D806382S

(12) **United States Design Patent** (10) **Patent No.:** **US D806,382 S**  
**Beard et al.** (45) **Date of Patent:** **\*\* Jan. 2, 2018**

(54) **HOLSTER FOR A HANDGUN** 5,100,036 A \* 3/1992 Rogers ..... F41C 33/0209  
224/193  
(71) Applicant: **N82 Tactical, Inc.**, Lexington, NC (US) D335,221 S 5/1993 Nichols ..... D3/101  
5,265,781 A 11/1993 Nichols ..... 224/198  
(72) Inventors: **Nathan Beard**, Lexington, NC (US); 5,419,474 A 5/1995 Marx ..... 224/244  
**Nathan B. Johnson**, Lexington, NC 5,445,303 A 8/1995 Cawile, Jr. .... 224/222  
(US) 5,544,794 A \* 8/1996 Nichols ..... F41C 33/045  
224/198

(Continued)

(73) Assignee: **N82 Tactical, Inc.**, Lexington, NC (US)

(\*\*) Term: **15 Years**

(21) Appl. No.: **29/571,102**

(22) Filed: **Jul. 14, 2016**

(51) **LOC (11) Cl.** ..... **03-01**

(52) **U.S. Cl.**  
USPC ..... **D3/222**

(58) **Field of Classification Search**  
USPC ..... D3/222-223; 224/191-193, 197-198,  
224/238, 240, 243, 911-912, 914, 901.4,  
224/673

CPC .... A45F 5/021; F41C 33/0236; F41C 33/041;  
F41C 33/048; F41C 33/04

See application file for complete search history.

(56) **References Cited**

**U.S. PATENT DOCUMENTS**

2,576,231 A 11/1951 Lawson, Jr. et al. .... 224/2  
3,289,903 A 12/1966 Taormina ..... 224/2  
3,583,612 A 6/1971 Paris ..... 224/2.2  
3,731,858 A 5/1973 Baker ..... 224/2 B  
3,942,692 A 3/1976 Chica ..... 224/2 B  
4,022,361 A 5/1977 Devlin ..... 224/2 B  
4,062,481 A 12/1977 Clark ..... 224/2 B  
4,143,798 A \* 3/1979 Perkins ..... F41C 33/0227  
224/243  
D255,141 S \* 5/1980 Clark ..... D3/226  
4,667,374 A 5/1987 Bianchi ..... 24/3 J  
4,718,585 A 1/1988 Atkins, Sr. .... 224/238  
4,785,983 A 11/1988 DeSantis ..... 224/206  
4,898,310 A 2/1990 Remington ..... 224/238  
5,054,671 A 10/1991 Else ..... 224/196

**OTHER PUBLICATIONS**

Nate Squared Tactical is proud to introduce the Ambassador Series Holster!, N82Tactical.com, [online], [site visited May 25, 2017]. <URL: <https://n82tactical.com/new-products/>>.\*

(Continued)

*Primary Examiner* — T. Chase Nelson

*Assistant Examiner* — Jonathan J. Han

(74) *Attorney, Agent, or Firm* — MacCord Mason PLLC

(57) **CLAIM**

The ornamental design for holster for a handgun, as shown and described.

**DESCRIPTION**

FIG. 1 is a front perspective view of a holster for a handgun showing our new design;

FIG. 2 is a front view thereof;

FIG. 3 is a right side view thereof;

FIG. 4 is a left side view thereof;

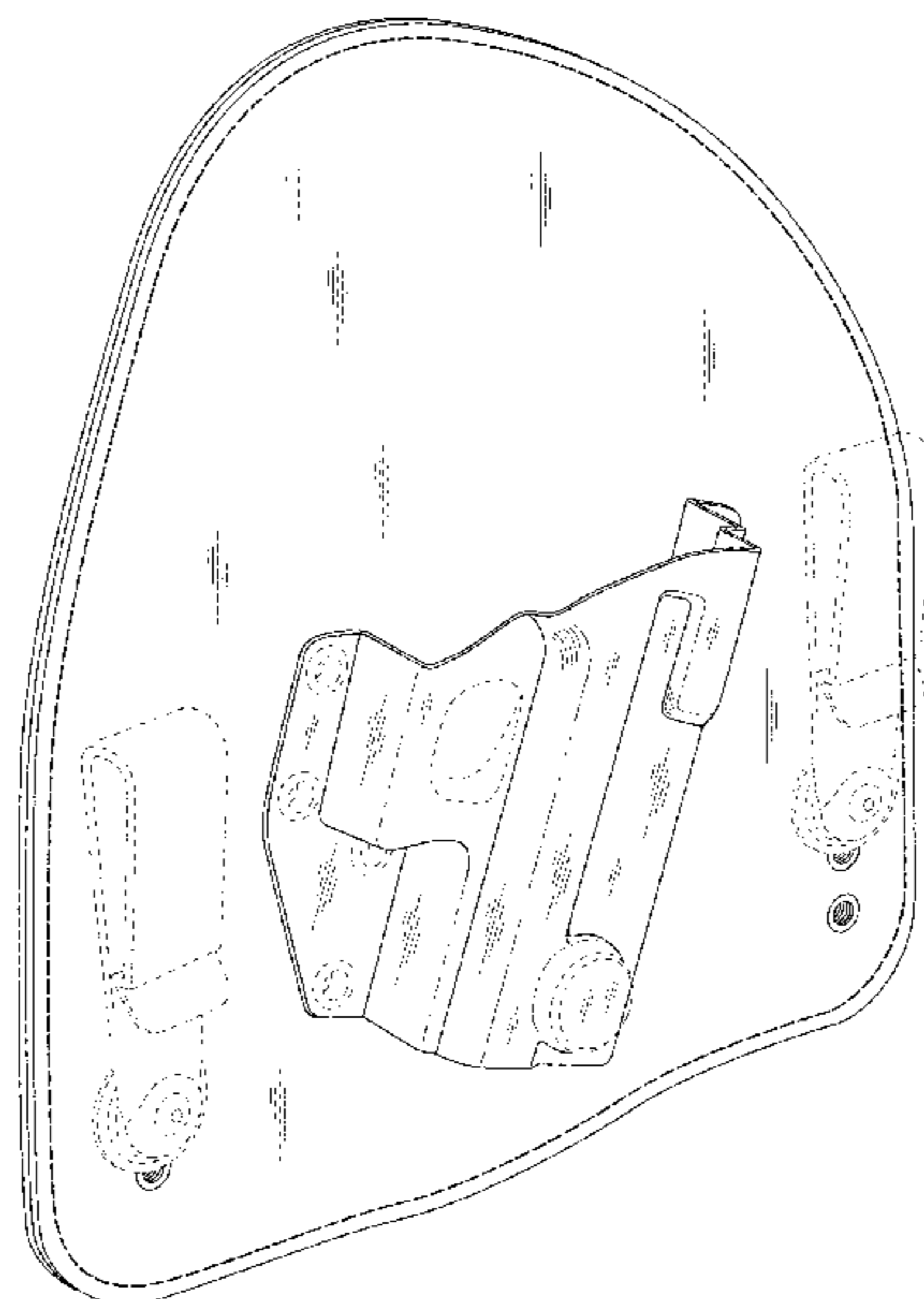
FIG. 5 is a top view thereof; and,

FIG. 6 is a bottom view.

The back is plain and unadorned.

The objects shown in broken lines depict unclaimed features and form no part of the claimed design. The heavier broken lines around the perimeter of the holster in FIGS. 1 and 2 depict stitching, which does not form a part of the claimed design.

**1 Claim, 6 Drawing Sheets**



(56)

References Cited

U.S. PATENT DOCUMENTS

5,570,827 A 11/1996 Wiesner ..... 224/587  
 5,816,459 A 10/1998 Armistead ..... 224/246  
 6,089,432 A 7/2000 Gage et al. .... 224/587  
 6,092,703 A 7/2000 Johnson ..... 224/198  
 6,264,079 B1 7/2001 Skaggs ..... 224/192  
 6,398,089 B1 6/2002 Har-Shen ..... 224/192  
 6,685,066 B2 2/2004 Cragg ..... 224/238  
 6,814,270 B2 11/2004 Mason ..... 224/587  
 D537,246 S \* 2/2007 Carver ..... D3/222  
 D543,353 S \* 5/2007 Carver ..... D3/222  
 D543,354 S \* 5/2007 Carver ..... D3/222  
 7,258,259 B1 8/2007 Owens ..... 224/193  
 7,314,152 B1 1/2008 Garrett ..... 224/192  
 D567,501 S \* 4/2008 Zusman ..... D3/222  
 D589,251 S 3/2009 Har Shen ..... D3/222  
 D594,649 S \* 6/2009 Zusman ..... D3/222  
 D601,339 S 10/2009 Zusman ..... D8/222  
 D603,159 S 11/2009 Zusman ..... D3/222  
 D620,705 S 8/2010 Beard et al. .... D3/222  
 D681,943 S 5/2013 Beard et al. .... D3/222  
 8,672,201 B2 3/2014 Craighead ..... 224/587  
 9,104,656 B2 8/2015 Bowman et al. .... 224/239  
 D749,840 S \* 2/2016 Laemmlen ..... D3/221  
 D764,788 S \* 8/2016 Beard ..... D3/222  
 D773,806 S \* 12/2016 Laemmlen ..... F41C 33/048  
 D780,438 S \* 3/2017 Marques ..... D3/222  
 2003/0226866 A1 \* 12/2003 Har-Shen ..... F41C 33/0209  
 2005/0205624 A1 \* 9/2005 French ..... F41C 33/0263  
 2009/0314813 A1 \* 12/2009 Woolery ..... A45F 5/02  
 2010/0181353 A1 7/2010 Craighead ..... 224/193  
 2010/0270349 A1 10/2010 Craighead ..... 224/587  
 2011/0101063 A1 \* 5/2011 Zusman ..... F41C 33/0227  
 2011/0174849 A1 \* 7/2011 Clifton, Jr. .... F41C 33/0209  
 2011/0174850 A1 \* 7/2011 Clifton, Jr. .... F41C 33/0209  
 2013/0181021 A1 \* 7/2013 Yarbrough ..... F41C 33/0263  
 2014/0027485 A1 \* 1/2014 Van Heusen ..... F41C 33/0209  
 2014/0027486 A1 \* 1/2014 McGee ..... F41C 33/02

2014/0061262 A1 \* 3/2014 Pomeroy ..... F41C 33/0209  
 2014/0097216 A1 \* 4/2014 Rogers ..... F41C 33/046  
 2014/0217136 A1 \* 8/2014 Wegner ..... F41C 33/0227  
 2015/0247701 A1 \* 9/2015 Faifer ..... F41C 33/0209  
 2015/0285587 A1 \* 10/2015 Abushaev ..... F41C 33/0209  
 2015/0345898 A1 \* 12/2015 Bardy ..... F41C 33/0263  
 2016/0091279 A1 \* 3/2016 Massaro, Jr. .... F41C 33/04  
 2016/0102940 A1 \* 4/2016 Sykes ..... F41C 33/0236  
 2017/0115095 A1 \* 4/2017 Moultrie ..... F41C 33/048

OTHER PUBLICATIONS

We're excited to release our newest holster, Ambassador!, Facebook.com, N82 Tactical, Inc., Apr. 28, 2017, [online], [site visited May 25, 2017]. <URL: <https://www.facebook.com/N82Tactical/photos/a.334338376577383.90047.139900289354527/1556293641048511/?type=3&theater>>.\*  
 2017 NRA Annual Meeting: Day One, N82 Tactical Ambassador Holster, ShootingIllustrated.com, by Evan Brune—Friday, Apr. 28, 2017, [online], [site visited May 25, 2017]. <URL: <https://www.shootingillustrated.com/articles/2017/4/28/2017-nra-annual-meeting-day-one/>>.\*  
 Alien Gear Cloak Tuck 3.0 IWB Holster, AlienGearHolster.com, [online], [site visited May 25, 2017]. <URL: <http://aliengearholsters.com/alien-gear-cloak-tuck-3-0-iwb-holster-inside-the-waistband.html>>.\*  
 Hybrid Kydex Inside Waistband IWB Concealed Carry Holster for CZ 82, Amazon.com, [online], [site visited May 25, 2017]. <URL: <https://www.amazon.com/Hybrid-Inside-Waistband-Concealed-Holster/dp/B00AG2Y4XQ>>.\*  
 Sig Sauer P320 Compact W/Rail No Accessory Ventcore Holsters, StealthGearUSA.com, [online], [site visited May 25, 2017]. <URL: <https://stealthgearusa.com/sgusa-ventcore-holsters-for-the-sig-sauer-p320-compact-w-rail.html>>.\*  
 Galco Kingtuk IWB Holster, SportsmansWarehouse.com, [online], [site visited May 25, 2017]. <URL: <http://www.sportsmanswarehouse.com/sportsmans/Galco-Kingtuk-IWB-Holster/productDetail/Handgun-Holsters/prod99999032914/cat100060>>.\*

\* cited by examiner

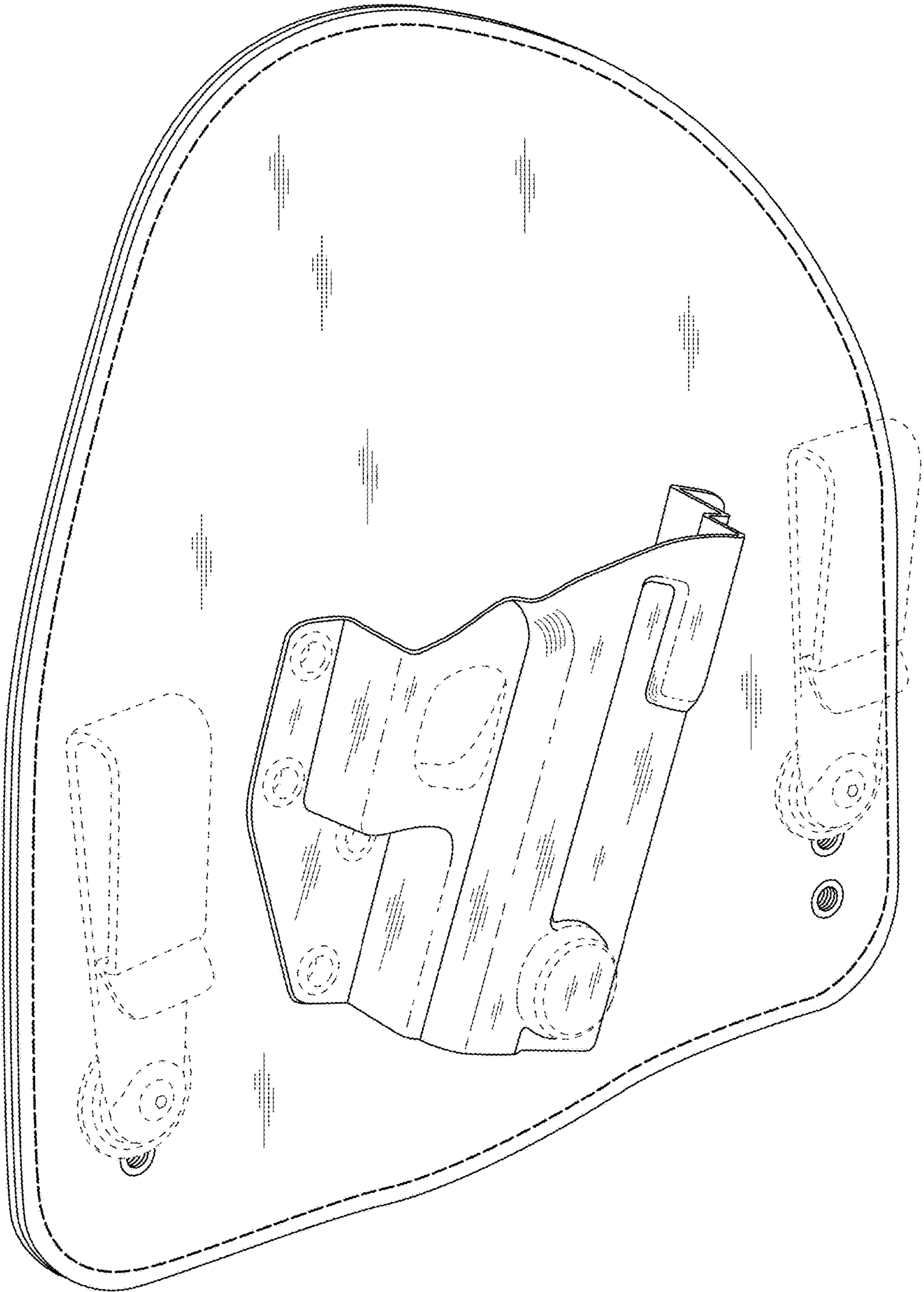


FIG. 1

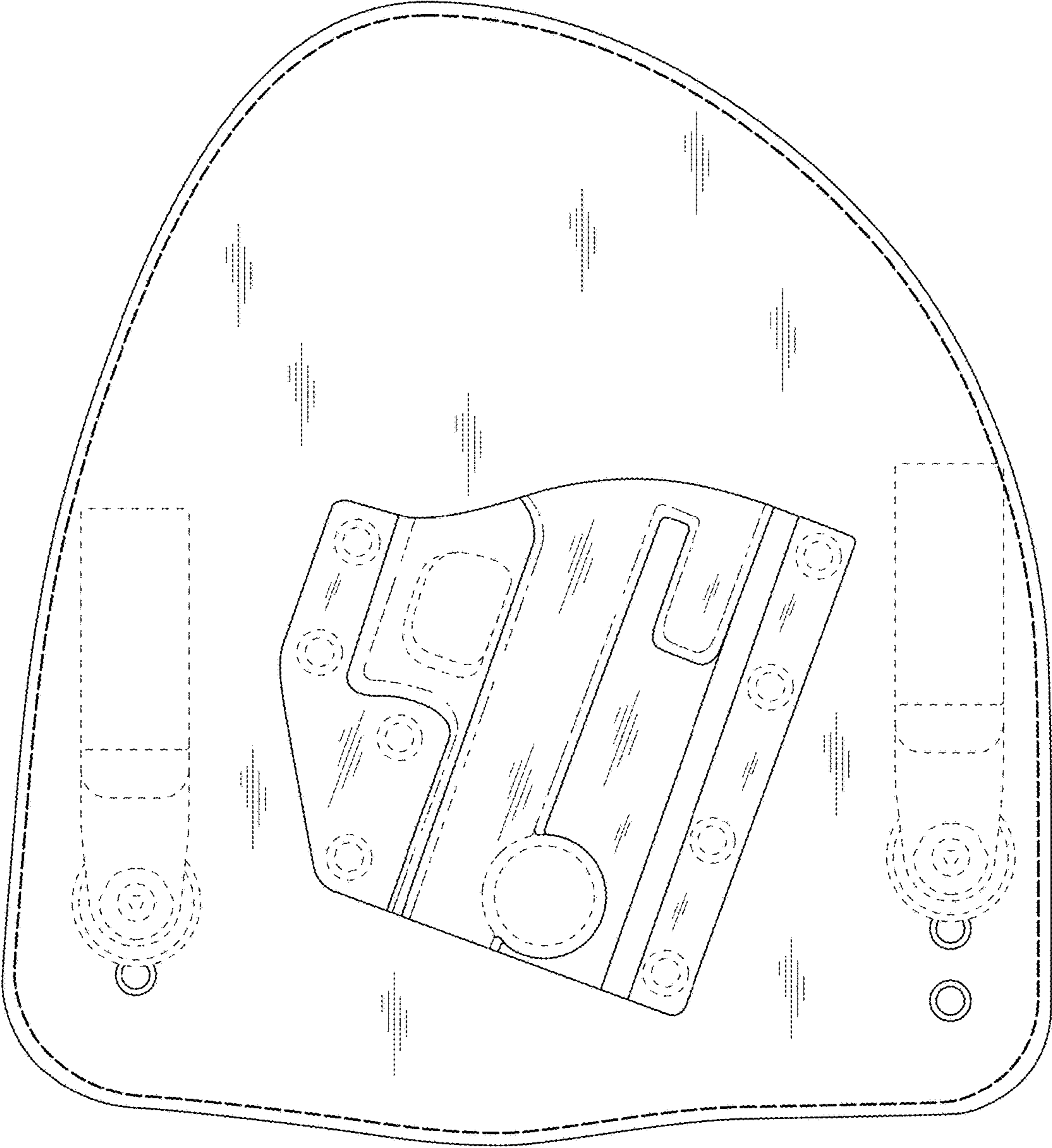


FIG. 2

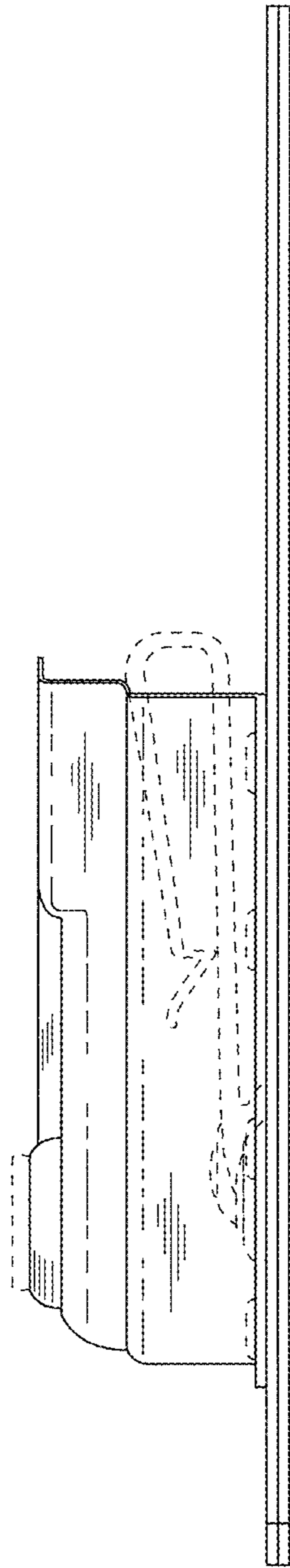


FIG. 3

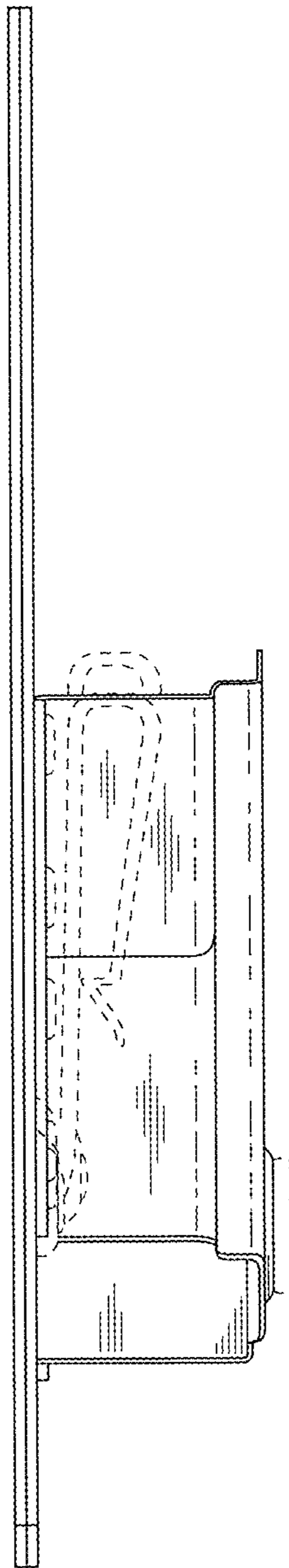


FIG. 4

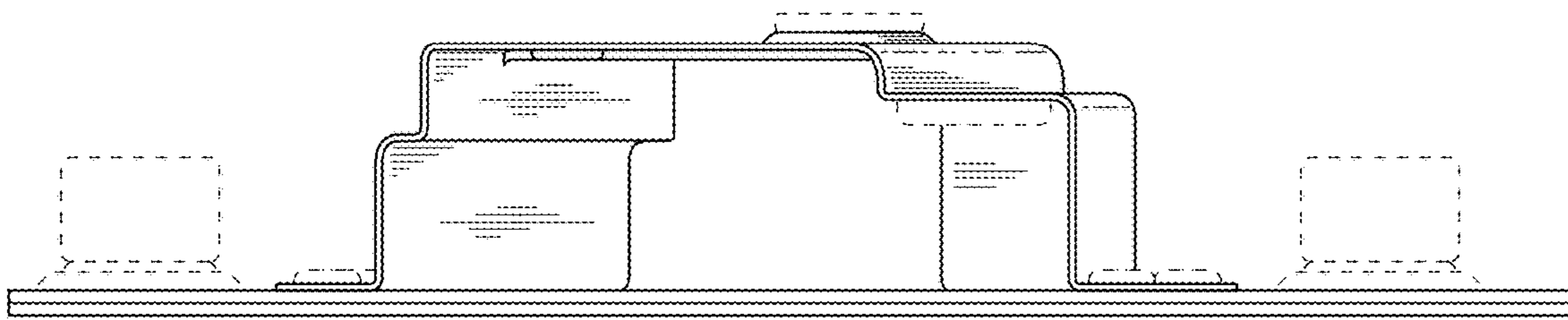


FIG. 5

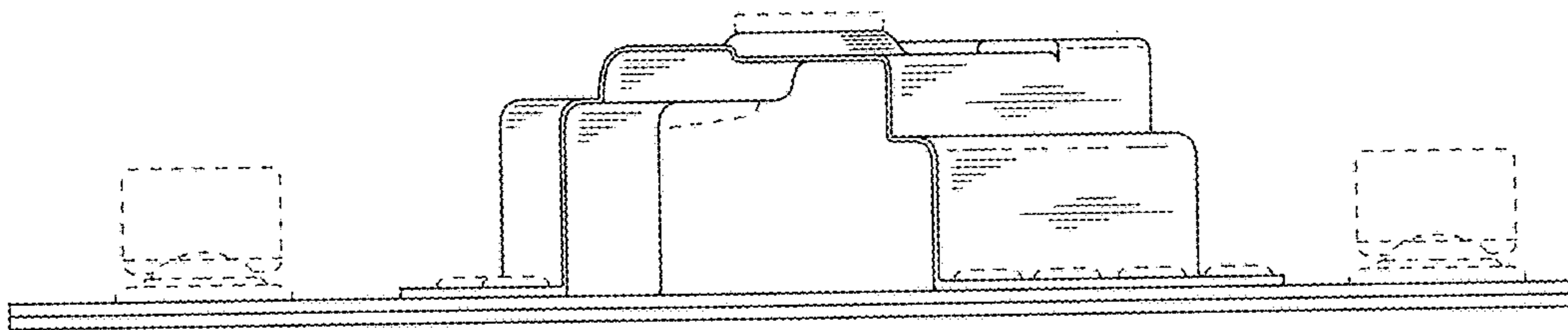


FIG. 6