



US00D806380S

(12) **United States Design Patent** (10) **Patent No.:** **US D806,380 S**
Hines et al. (45) **Date of Patent:** **** Jan. 2, 2018**

(54) **MEDICATION DISPENSER**
(71) Applicant: **Dose Health, LLC**, Maple Grove, MN (US)
(72) Inventors: **Paul Hines**, Minneapolis, MN (US); **Hayden Schoen**, Tacoma, WA (US); **Steven Wesner**, Maple Grove, MN (US); **Joe Jensen**, Minneapolis, MN (US)
(73) Assignee: **Dose Health, LLC**, Maple Grove, MN (US)

D458,016 S * 6/2002 Christianson D3/203.4
D459,873 S * 7/2002 Stillwell D3/203.4
6,471,087 B1 10/2002 Shusterman
D473,786 S * 4/2003 Chue D3/203.4
6,594,549 B2 7/2003 Siegel
D547,940 S * 8/2007 Sandy D3/203.2
D604,835 S * 11/2009 Conley D24/111
D610,796 S * 3/2010 Siegel D3/203.2
D621,603 S * 8/2010 Traylor D3/203.2
D641,970 S * 7/2011 Xu D3/203.2
D645,657 S * 9/2011 Portney D3/203.2
D681,936 S * 5/2013 Basas D3/203.2
D723,793 S * 3/2015 MacVittie D3/203.2

(Continued)

(**) Term: **15 Years**

Primary Examiner — John Windmuller

Assistant Examiner — Steven Czyz

(21) Appl. No.: **29/563,171**

(74) *Attorney, Agent, or Firm* — Todd R. Fronck; Larkin Hoffman Daly & Lindgren, Ltd.

(22) Filed: **May 3, 2016**

(51) **LOC (11) Cl.** **03-01**

(57) **CLAIM**

(52) **U.S. Cl.**
USPC **D3/203.2**

The ornamental design for a medication dispenser, as shown and described.

(58) **Field of Classification Search**
USPC D3/201, 203.1, 203.2, 203.3, 203.4, D3/203.6, 203.8; D6/515; D9/730, 731
CPC A61J 1/03; A61J 7/0076; A61J 7/02; A61J 7/0084; B65D 75/327; B65D 83/04; B65D 83/0418; B65D 83/0445; B65D 2585/56; B65D 83/0454; B65D 83/0481
See application file for complete search history.

DESCRIPTION

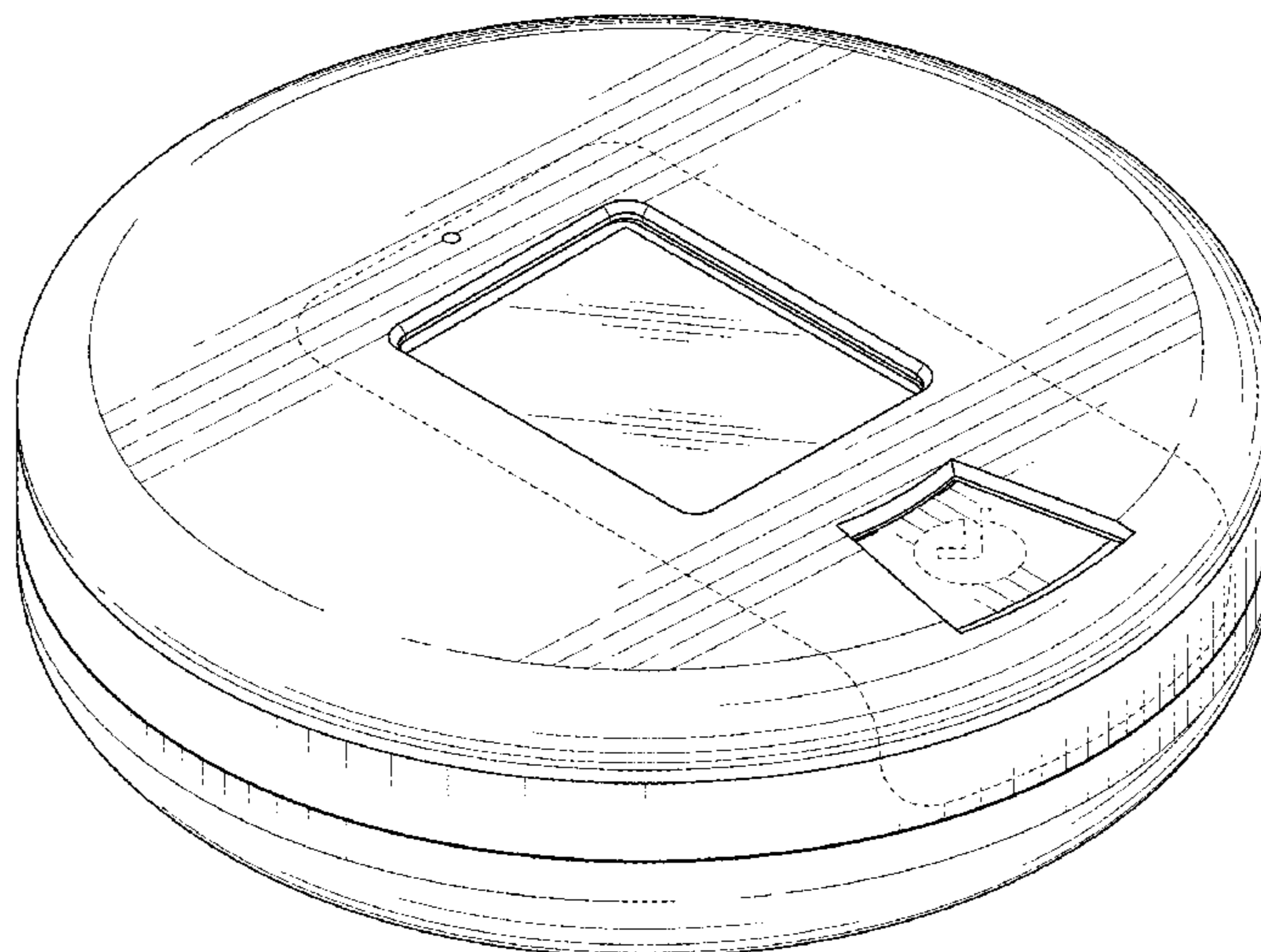
(56) **References Cited**

U.S. PATENT DOCUMENTS

D238,756 S * 2/1976 Swett et al. D28/78
D285,883 S * 9/1986 Tegze D3/10
D372,863 S * 8/1996 Gatewood D3/203.2
5,582,323 A 12/1996 Kurtenbach
D398,444 S * 9/1998 Ricci D3/203.2
5,971,594 A 10/1999 Sahai et al.
D431,458 S * 10/2000 Bried D3/203.2
6,145,697 A * 11/2000 Gudish A61J 7/0481
221/3

FIG. 1 is an isometric view of a medication dispenser.
FIG. 2 is a top plan view of the medication dispenser of FIG. 1.
FIG. 3 is a bottom plan view of the medication dispenser of FIG. 1.
FIG. 4 is a front plan view of the medication dispenser of FIG. 1.
FIG. 5 is a rear plan view of the medication dispenser of FIG. 1.
FIG. 6 is a left plan view of the medication dispenser of FIG. 1; and,
FIG. 7 is a right plan view of the medical dispenser of FIG. 1.
The broken lines depict portions of the article that form no part of the claimed design.

1 Claim, 7 Drawing Sheets



(56)

References Cited

U.S. PATENT DOCUMENTS

2003/0052135 A1* 3/2003 Conley A61J 7/0472
221/258
2005/0205595 A1* 9/2005 Lepke B65D 83/0454
221/87
2005/0258066 A1* 11/2005 Conley A61J 7/0472
206/538
2006/0163267 A1* 7/2006 Lapsker G07F 11/54
221/2
2007/0012712 A1* 1/2007 Syiau A61J 7/0481
221/2
2007/0261985 A1* 11/2007 Allen A61J 7/04
206/538
2008/0203107 A1* 8/2008 Conley A61J 7/0472
221/1
2010/0305750 A1* 12/2010 Conley A61J 7/0481
700/237
2012/0323360 A1 12/2012 Lavin
2016/0008226 A1* 1/2016 Hines A61J 7/0481
221/12

* cited by examiner

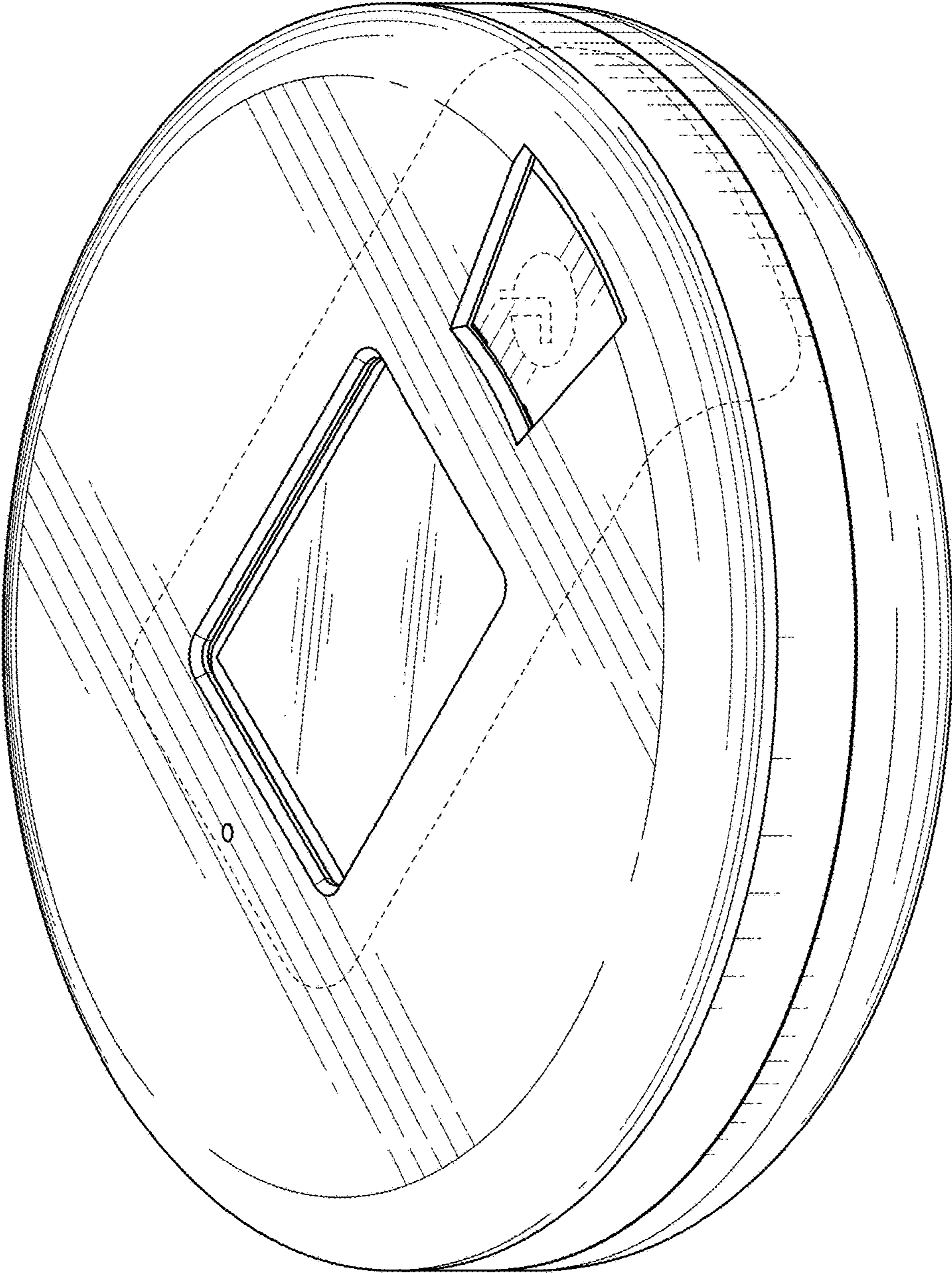


FIG. 1

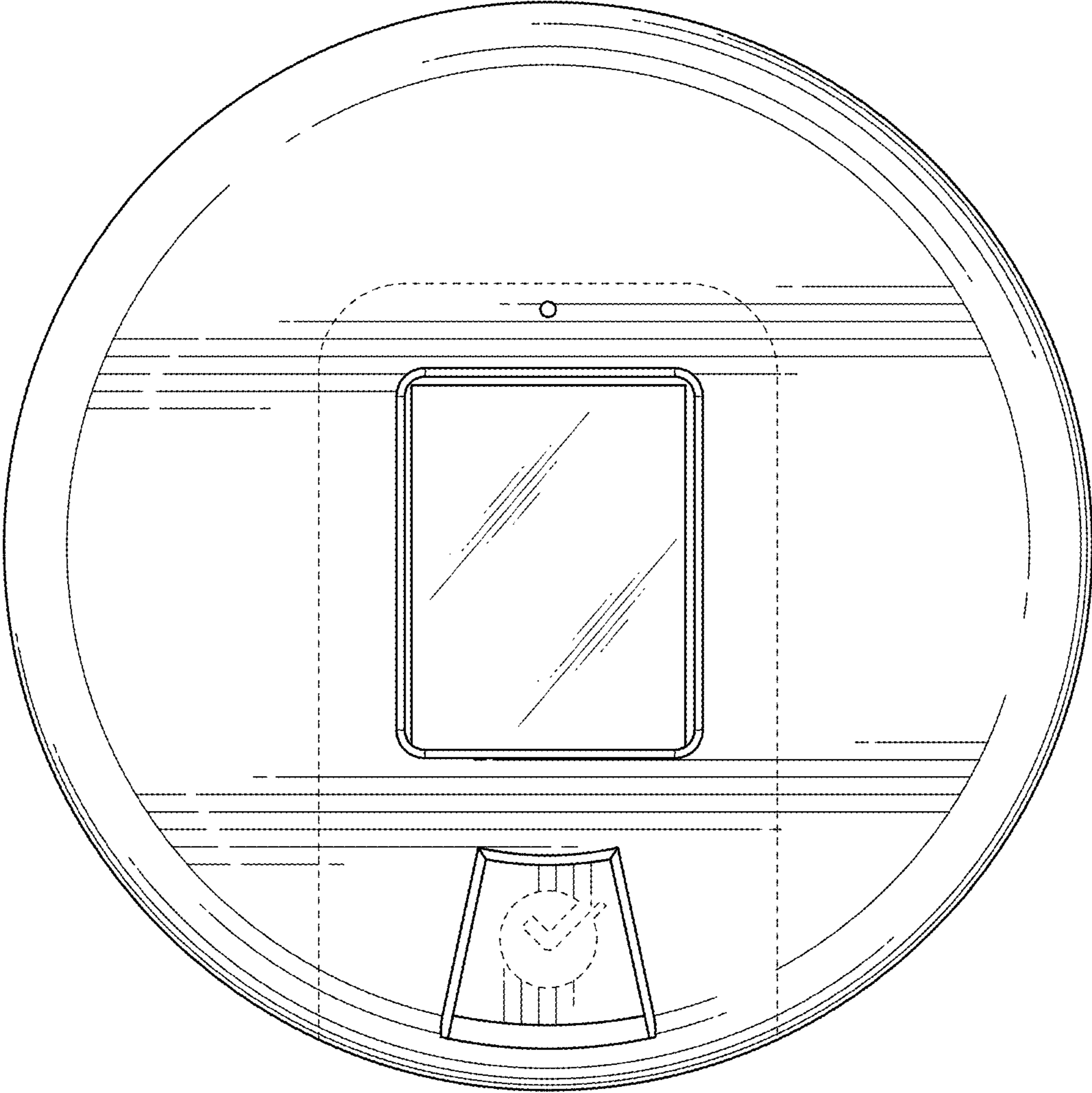


FIG. 2

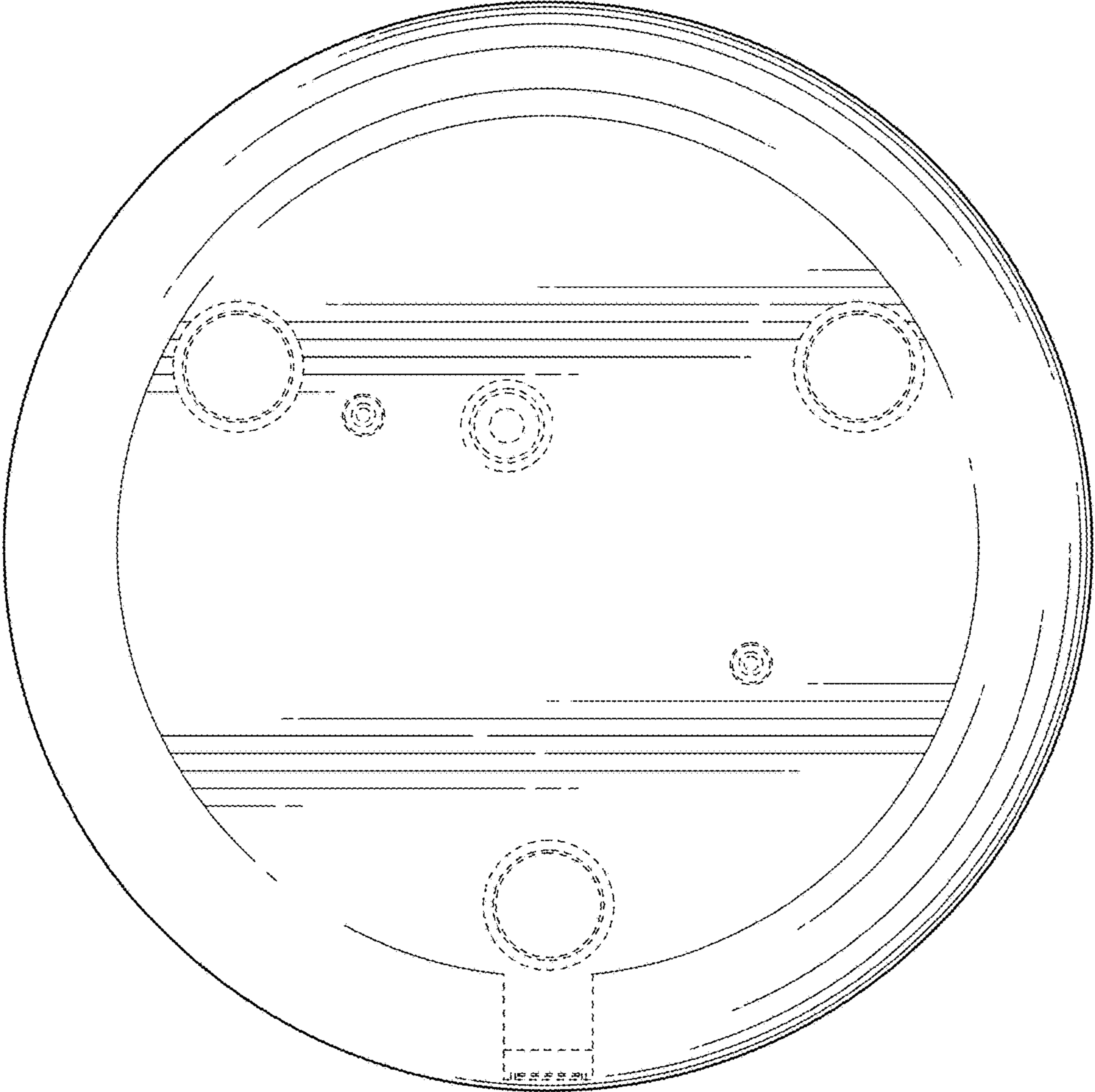


FIG. 3

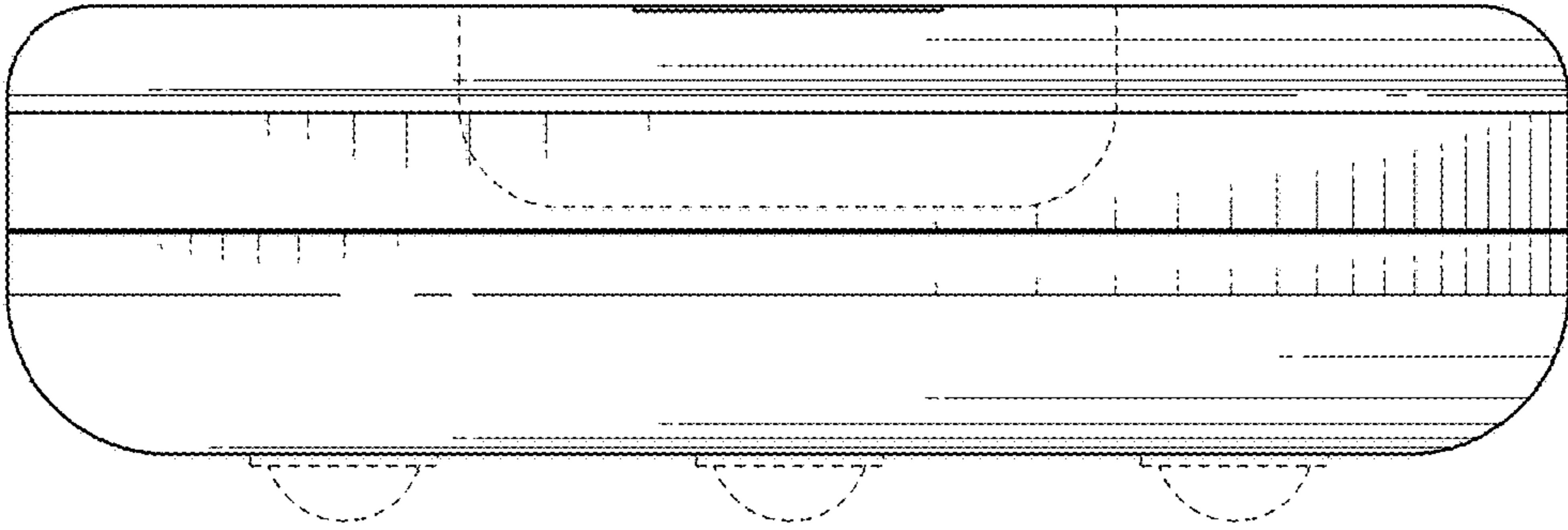


FIG. 4

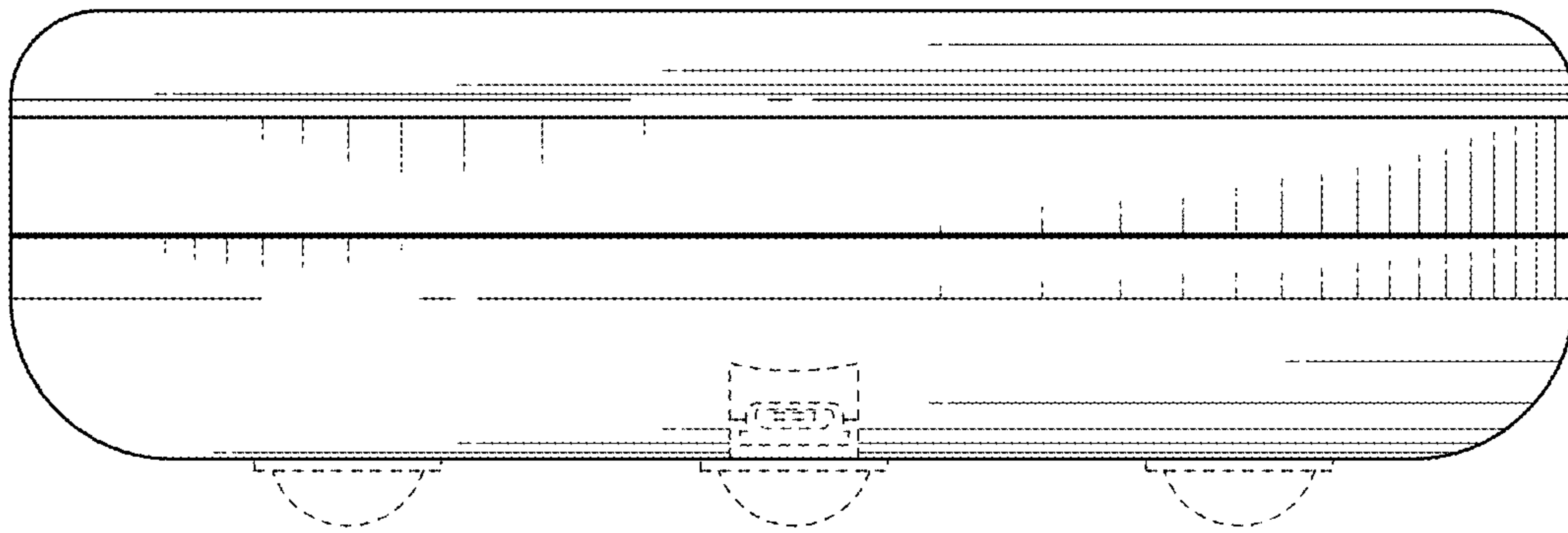


FIG. 5

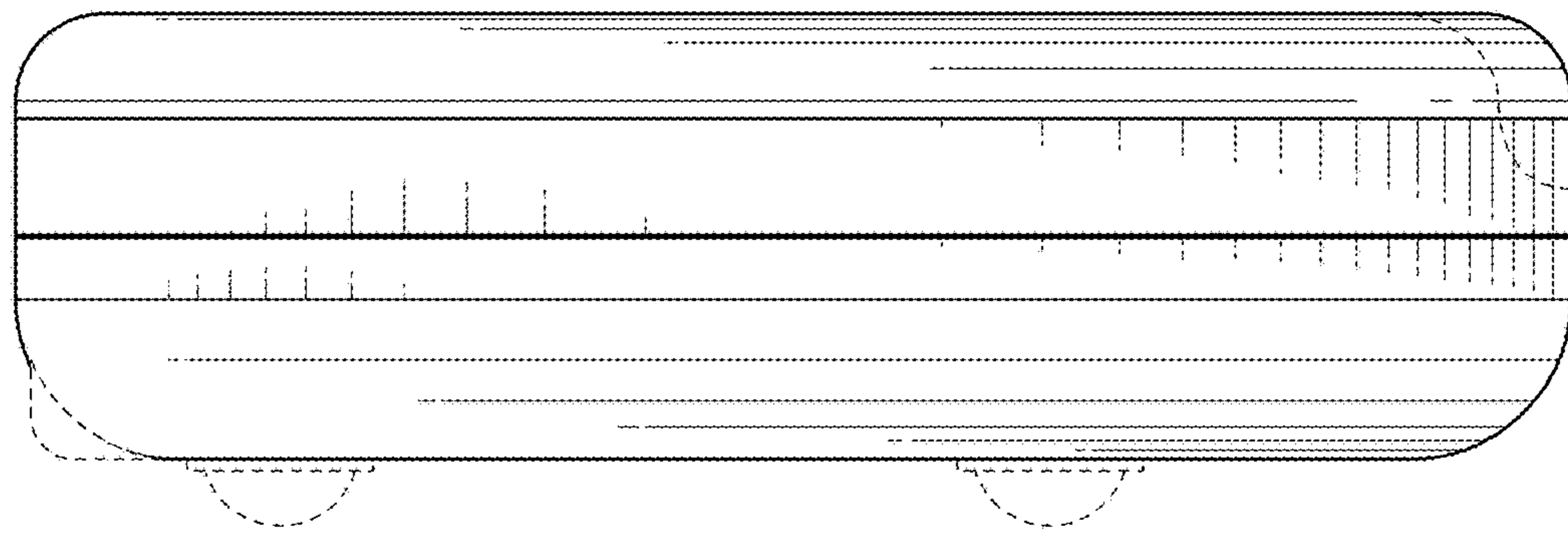


FIG. 6

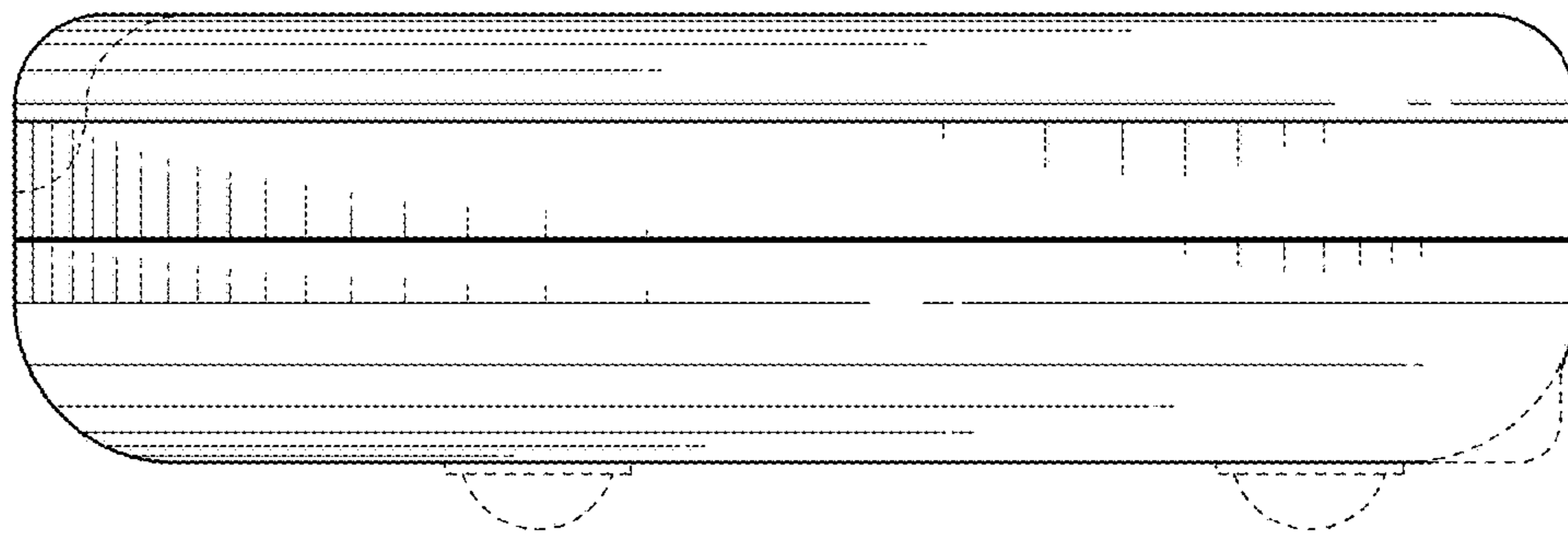


FIG. 7