



US00D806378S

(12) **United States Design Patent**  
**Lerenthal**

(10) **Patent No.:** **US D806,378 S**  
(45) **Date of Patent:** **\*\* Jan. 2, 2018**

(54) **CASE**

- (71) Applicant: **Uniluv Marketing, Inc.**, San Diego, CA (US)
- (72) Inventor: **Moran Lerenthal**, Tel Aviv (IL)
- (73) Assignee: **Uniluv Marketing Inc.**, San Diego, CA (US)
- (\*\*) Term: **15 Years**
- (21) Appl. No.: **29/542,289**
- (22) Filed: **Oct. 13, 2015**
- (51) **LOC (11) Cl.** ..... **03-01**
- (52) **U.S. Cl.**  
USPC ..... **D3/201; D14/250**
- (58) **Field of Classification Search**  
USPC ..... **D3/201, 273; D14/250, 440, 447, 344, D14/439, 432, 300**  
CPC ..... **G06F 3/416; G06F 3/4886; G06F 3/41; G06F 3/45; G06F 1/1628; G06F 1/1613**  
See application file for complete search history.

(56) **References Cited**

**U.S. PATENT DOCUMENTS**

- D414,033 S \* 9/1999 Rohm ..... D3/201
- D582,405 S \* 12/2008 Andre ..... D3/299
- 8,763,795 B1 \* 7/2014 Oten ..... A45C 11/00  
206/320
- D713,834 S \* 9/2014 Almstrom ..... D14/250
- D714,054 S \* 9/2014 Kershenstein ..... D3/269

(Continued)

*Primary Examiner* — Sandra Snapp  
*Assistant Examiner* — Holly E Thurman  
(74) *Attorney, Agent, or Firm* — Pasadena Legal Group;  
Norman R. Van Treeck

(57) **CLAIM**

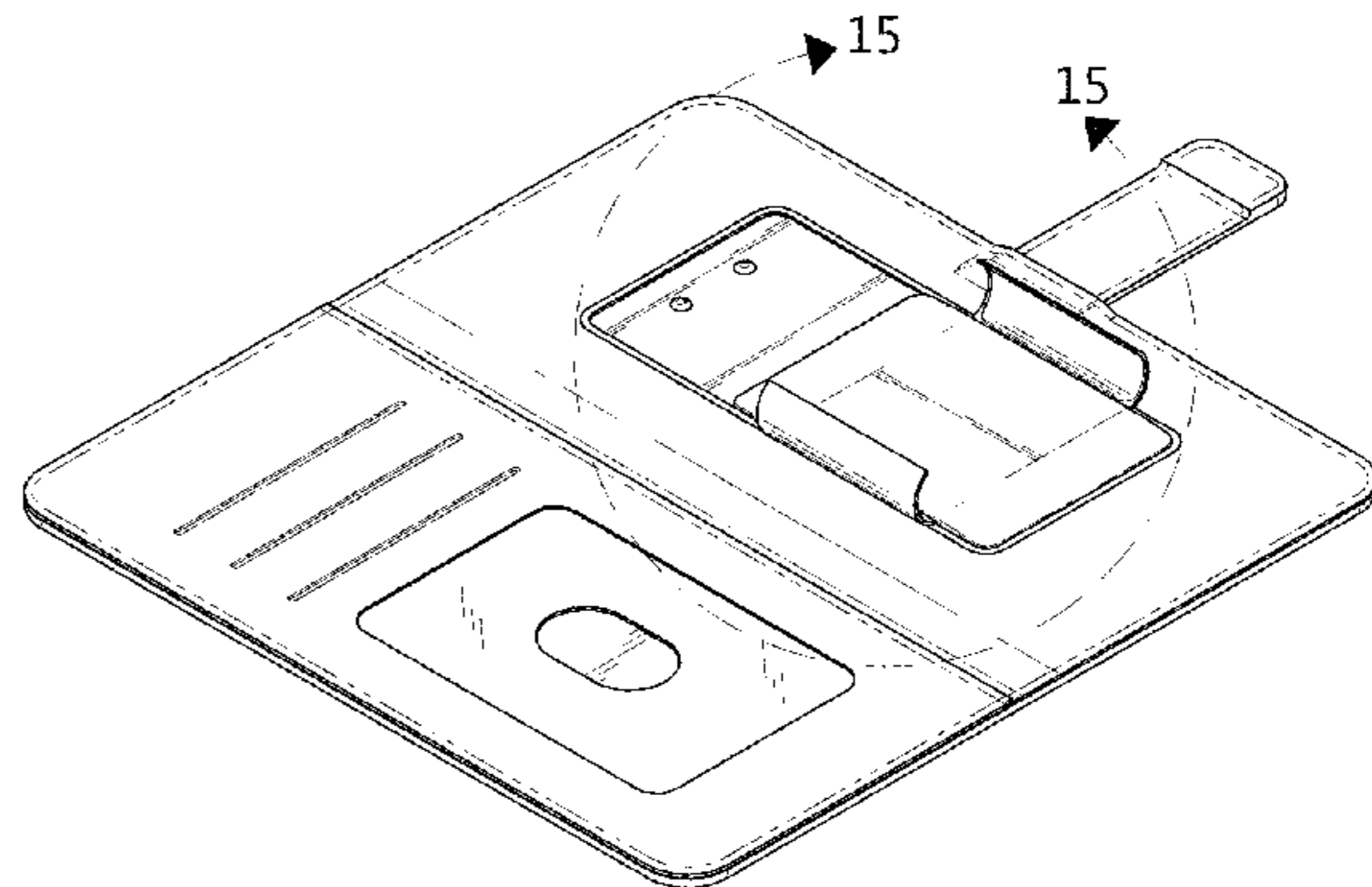
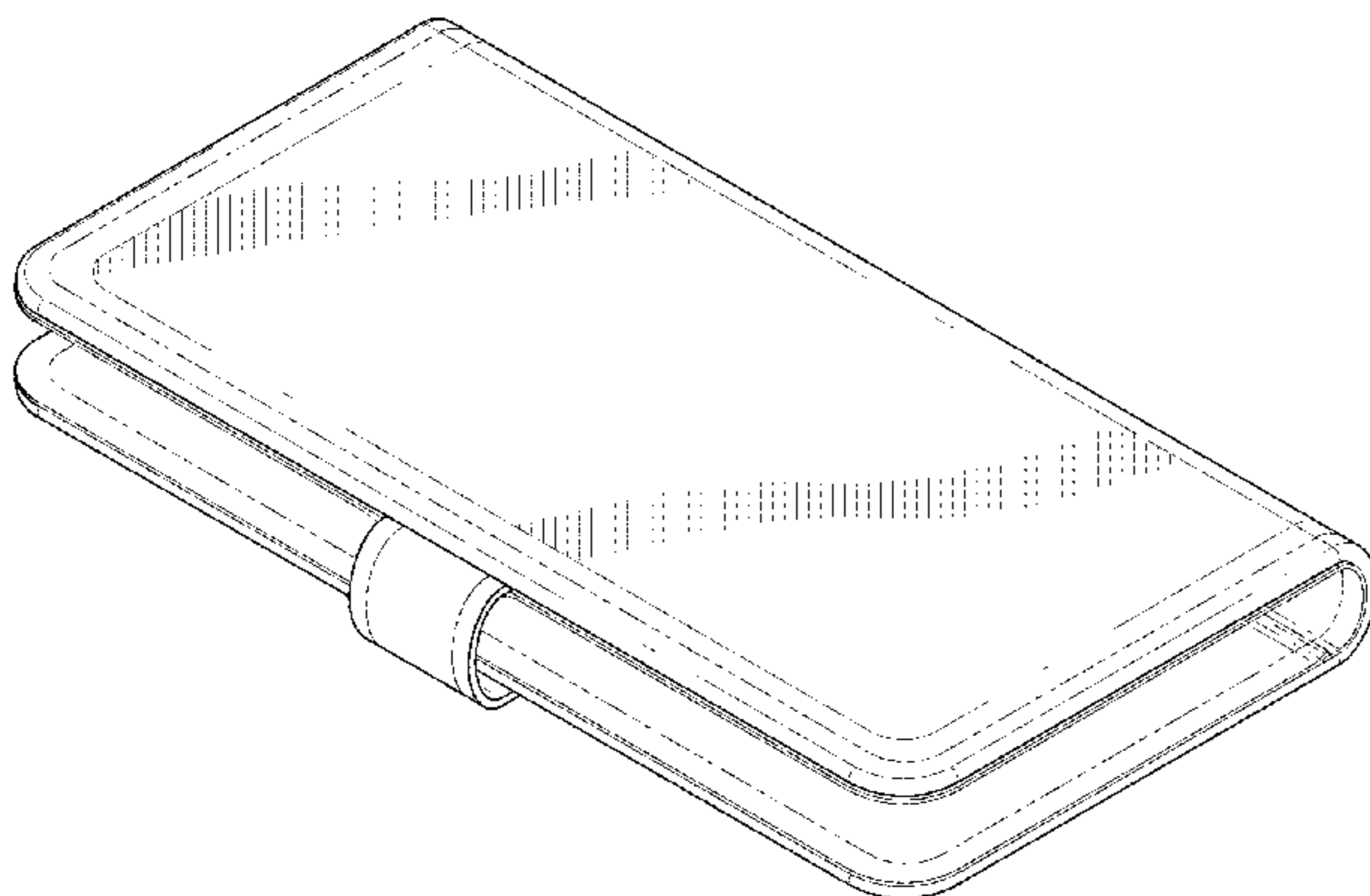
The ornamental design for a case, as shown and described.

**DESCRIPTION**

FIG. 1 is a back, bottom and side perspective view of a case in a closed position embodying my new design;  
 FIG. 2 is a first side view thereof with arms for securing an electronic device in a lowered position;  
 FIG. 3 is a second side view thereof;  
 FIG. 4 is a back view thereof;  
 FIG. 5 is a front view thereof;  
 FIG. 6 is a top view thereof, the bottom view being a mirror image;  
 FIG. 7 is a front, bottom and side perspective view of the case in an open position with arms for securing an electronic device shown in a lowered position;  
 FIG. 8 is a first side view thereof;  
 FIG. 9 is a second side view thereof;  
 FIG. 10 is a front view thereof;  
 FIG. 11 is a back view thereof;  
 FIG. 12 is a bottom view thereof, the top view being a mirror image;  
 FIG. 13 is a front, bottom and side perspective view of the case in an open position with arms for securing an electronic device in a raised position;  
 FIG. 14 is a front, bottom and side perspective view thereof, with arms for securing an electronic device in a lowered and expanded position containing an unclaimed electronic device; and,  
 FIG. 15 is an enlarged view of the encircled portion shown in FIG. 7.

Broken lines are used to illustrate features of the case which form no part of the claimed design. Lines with a long dash followed by two short dashes are used to represent stitching which forms no part of the claimed design. The dash-dash-dot boundary line **15-15** in FIG. 7 identifies a portion of the figure which is shown enlarged in FIG. 15. The dash-dash-dot boundary lines in FIG. 7 and FIG. 15 form no part of the claimed design. The evenly broken lines in FIG. 14 illustrate an unclaimed electronic device being held in the case.

**1 Claim, 13 Drawing Sheets**



(56)

**References Cited**

U.S. PATENT DOCUMENTS

D729,522	S *	5/2015	Kim	.....	D3/218
D737,828	S *	9/2015	Albano	.....	D14/440
D745,780	S *	12/2015	Feng	.....	D3/269
D760,708	S *	7/2016	Hirst	.....	D14/250
D762,205	S *	7/2016	Dang	.....	D14/250
D777,421	S *	1/2017	Grote	.....	D14/250
D778,895	S *	2/2017	Park	.....	D14/250
D778,896	S *	2/2017	Park	.....	D14/250
D779,472	S *	2/2017	Lee	.....	D14/250
D779,473	S *	2/2017	Lee	.....	D14/250
D779,474	S *	2/2017	Kim	.....	D14/250
D779,475	S *	2/2017	Park	.....	D14/250
2014/0262934	A1 *	9/2014	Fathollahi	.....	A45C 13/002 206/774
2015/0230570	A1 *	8/2015	Kim	.....	A45C 1/06 150/139

\* cited by examiner

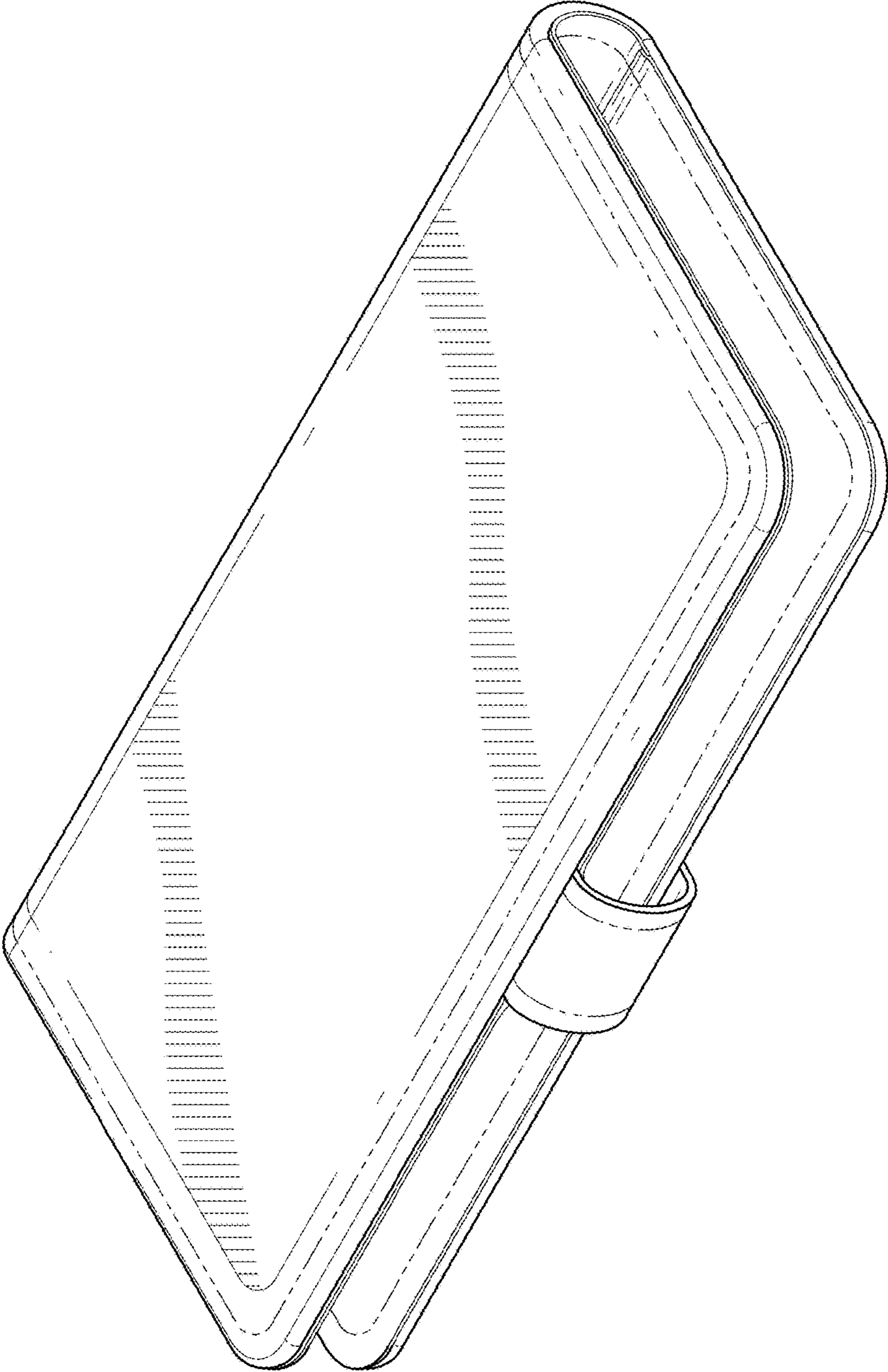


FIG. 1

FIG. 2

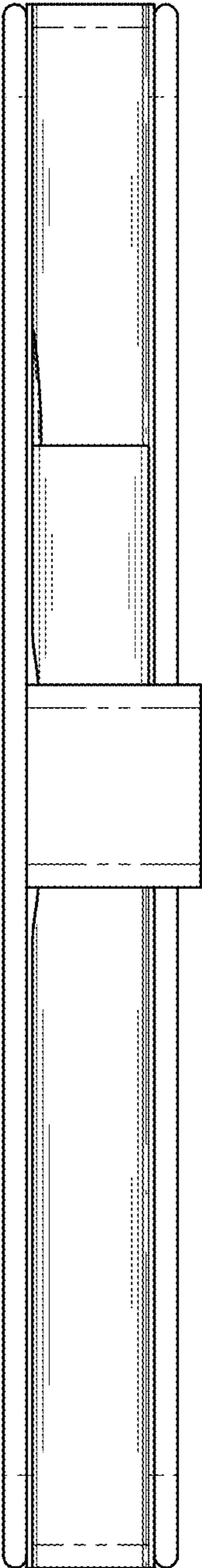


FIG. 3

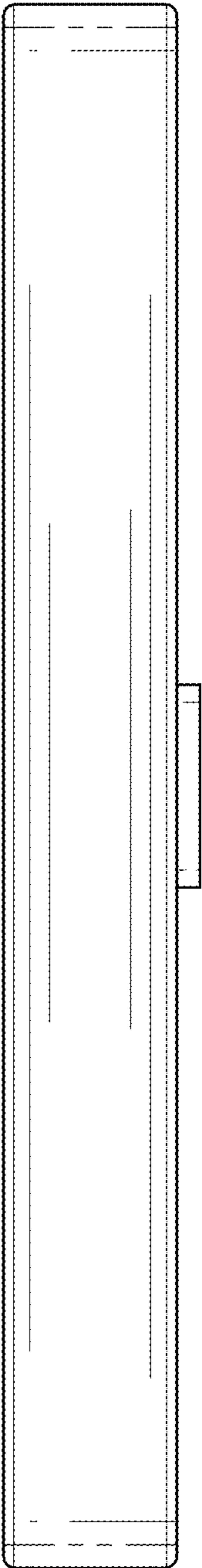


FIG. 4

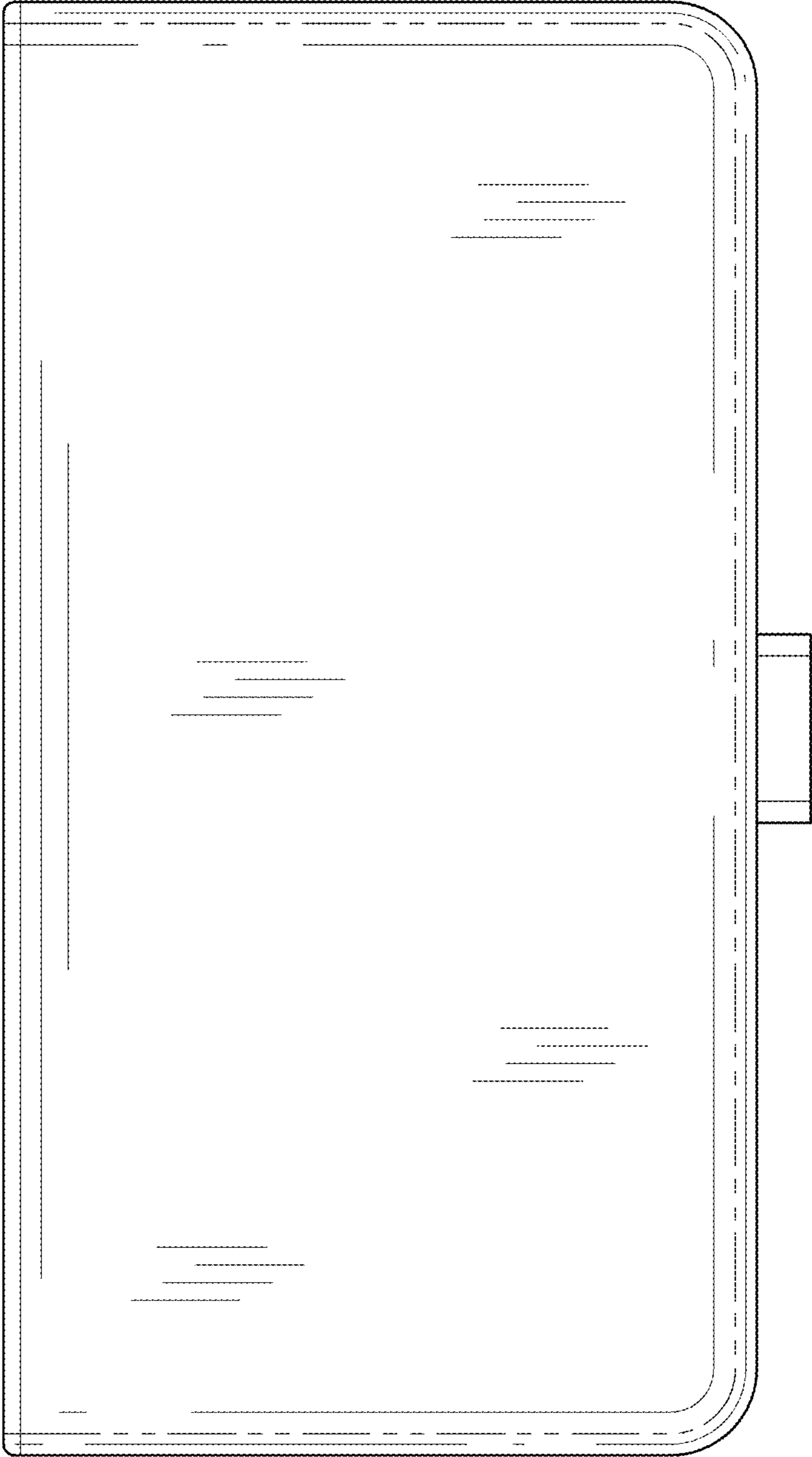


FIG. 5

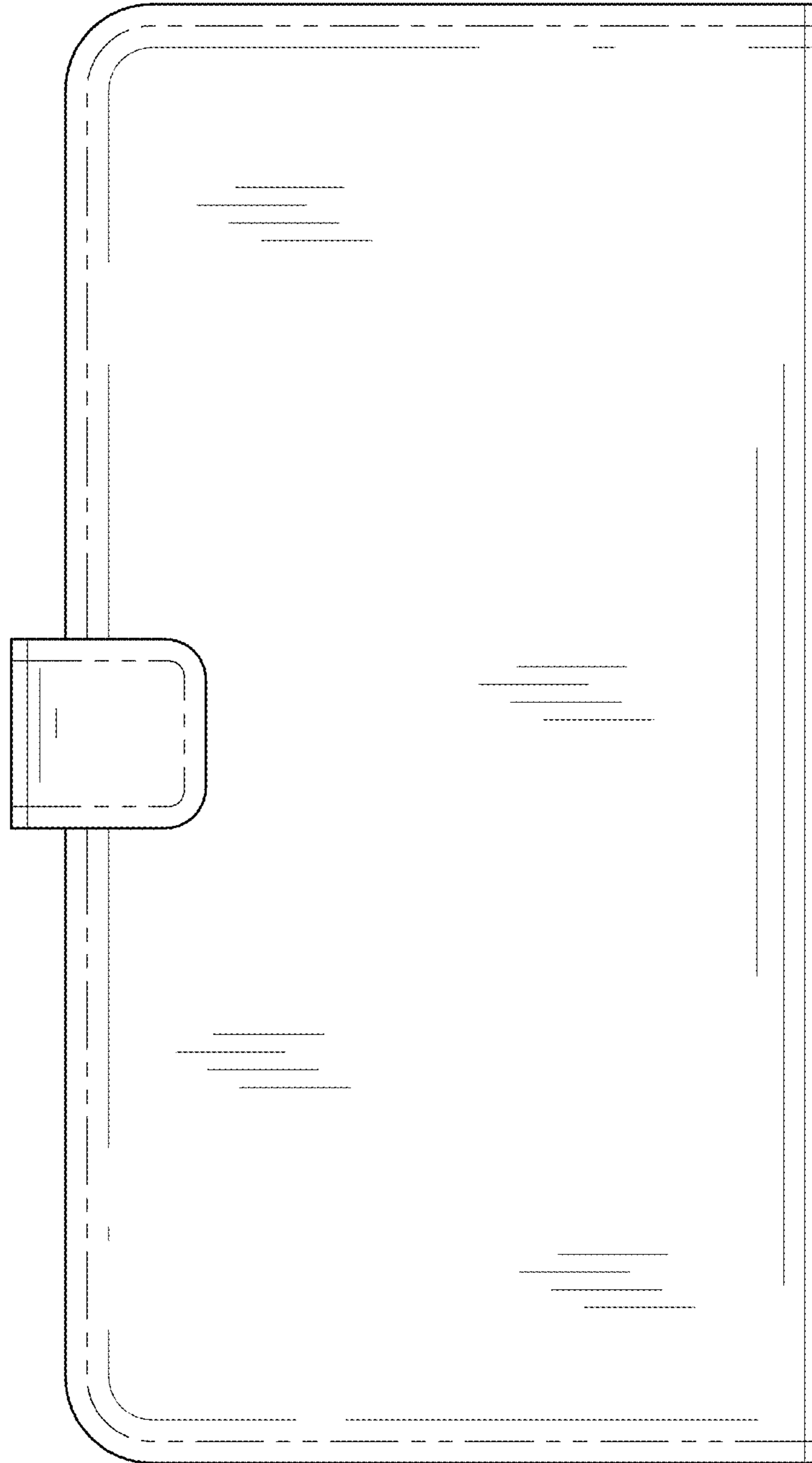


FIG. 6

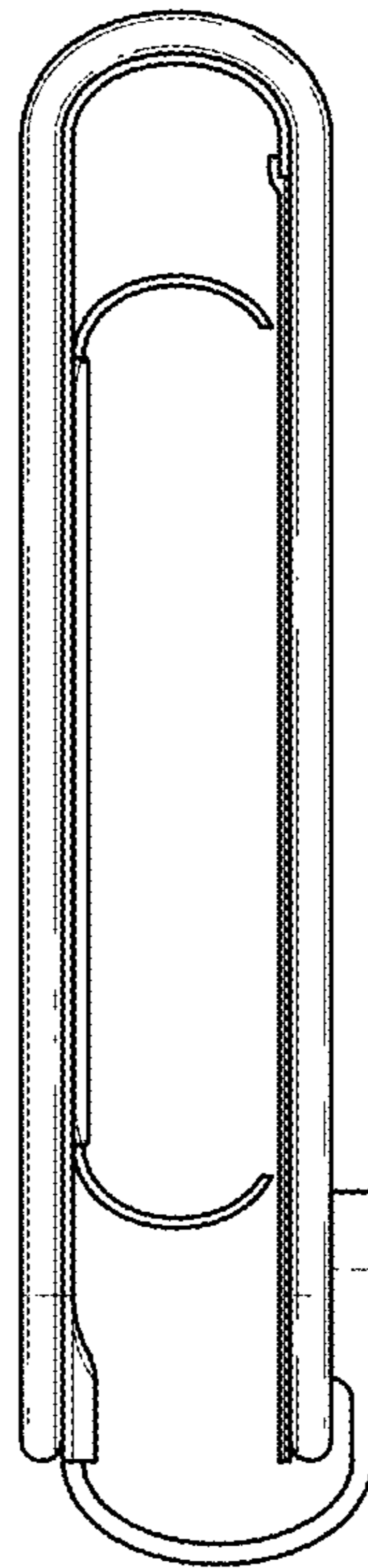


FIG. 7

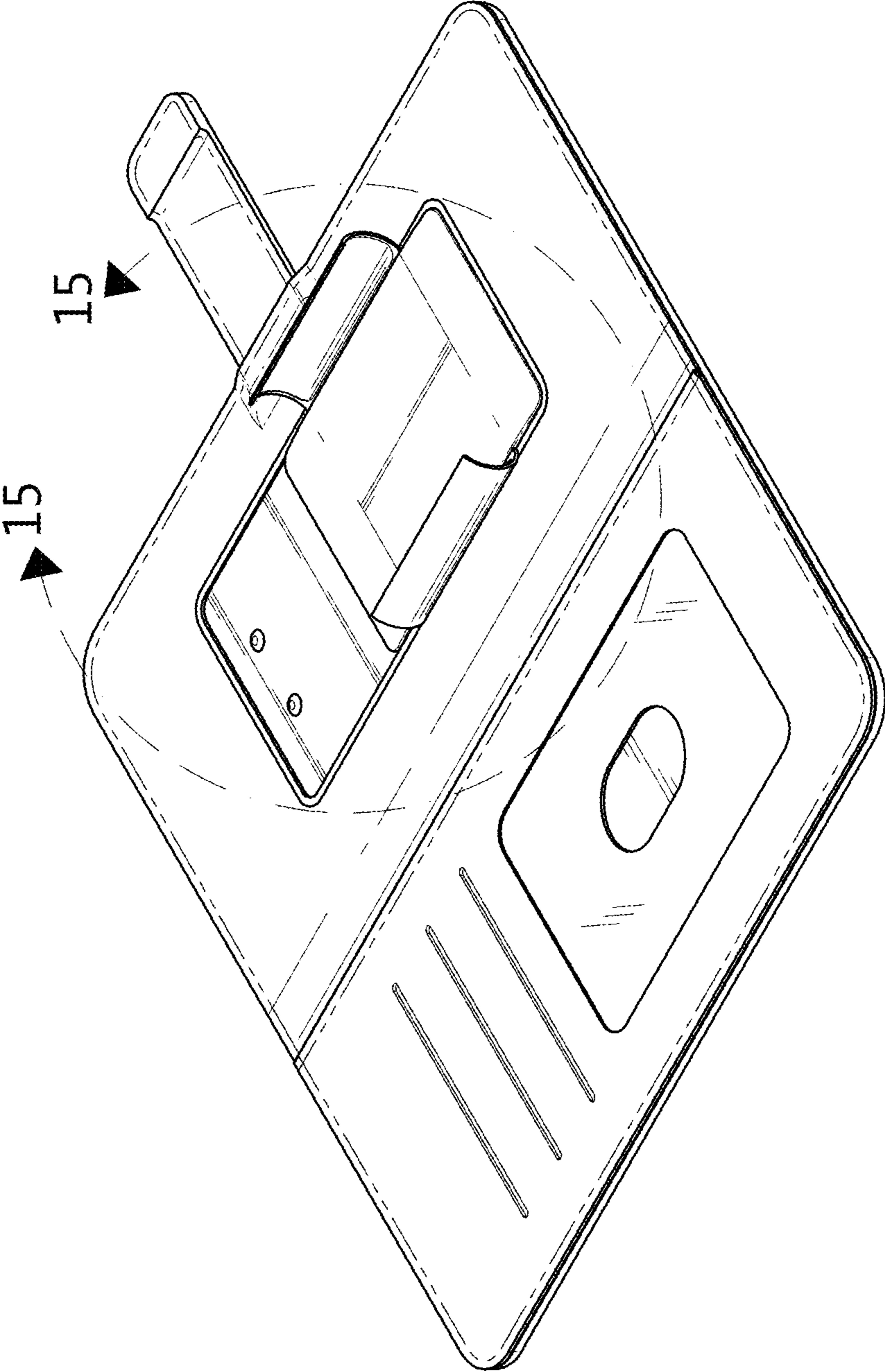




FIG. 8

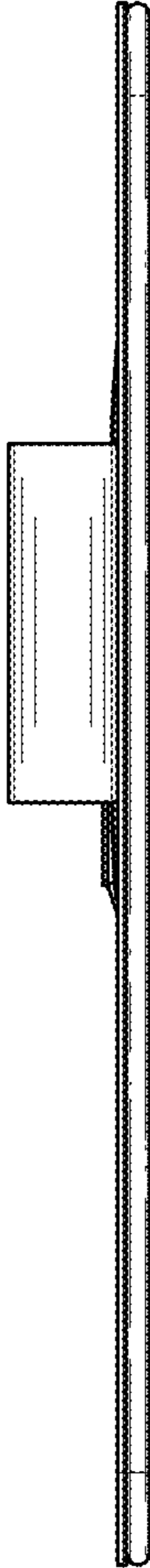


FIG. 9



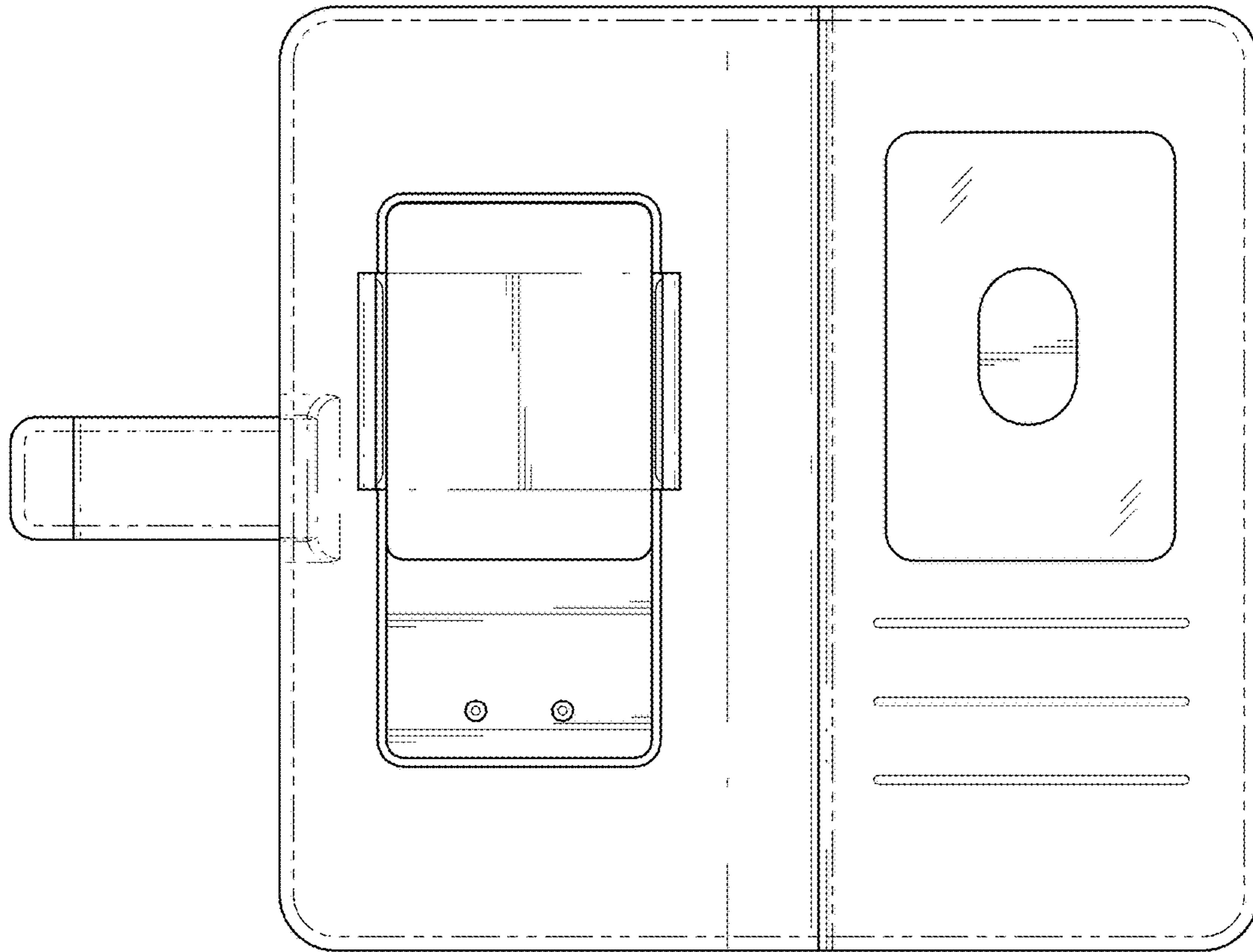


FIG. 10

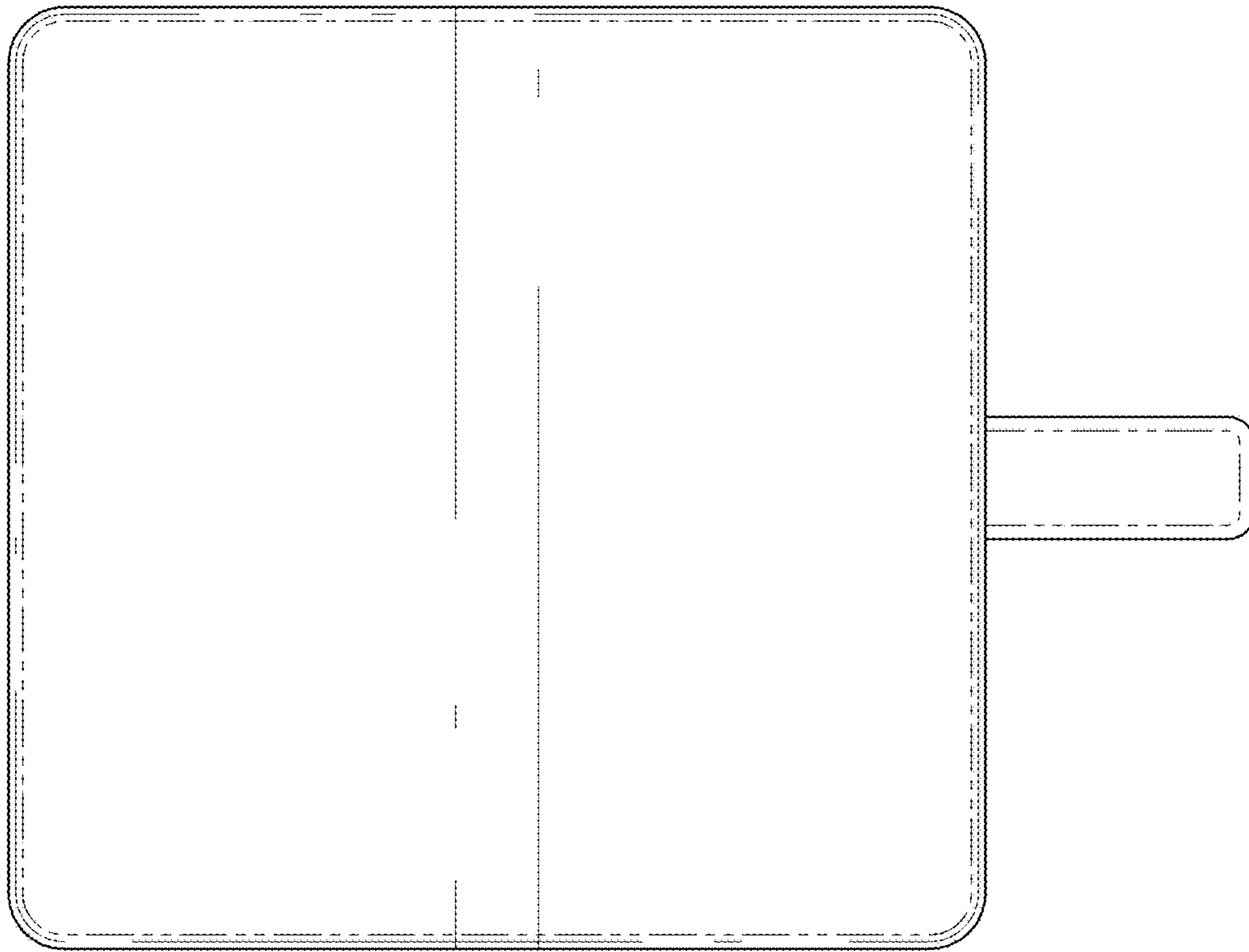


FIG. 11

FIG. 12

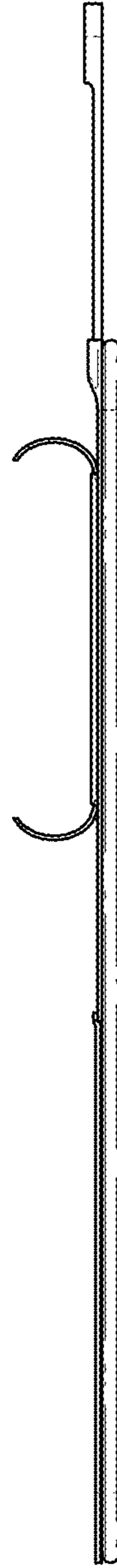


FIG. 13

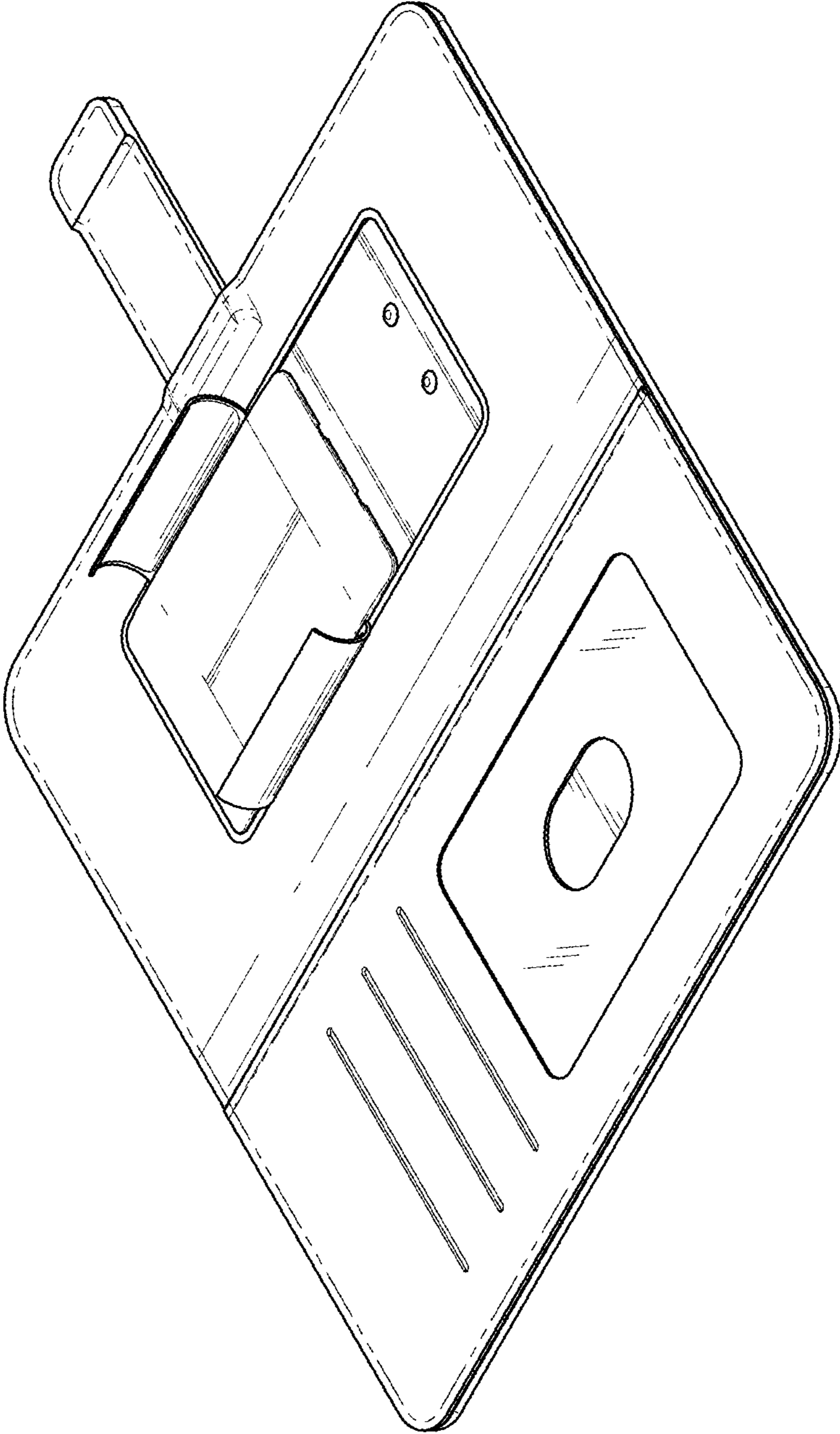
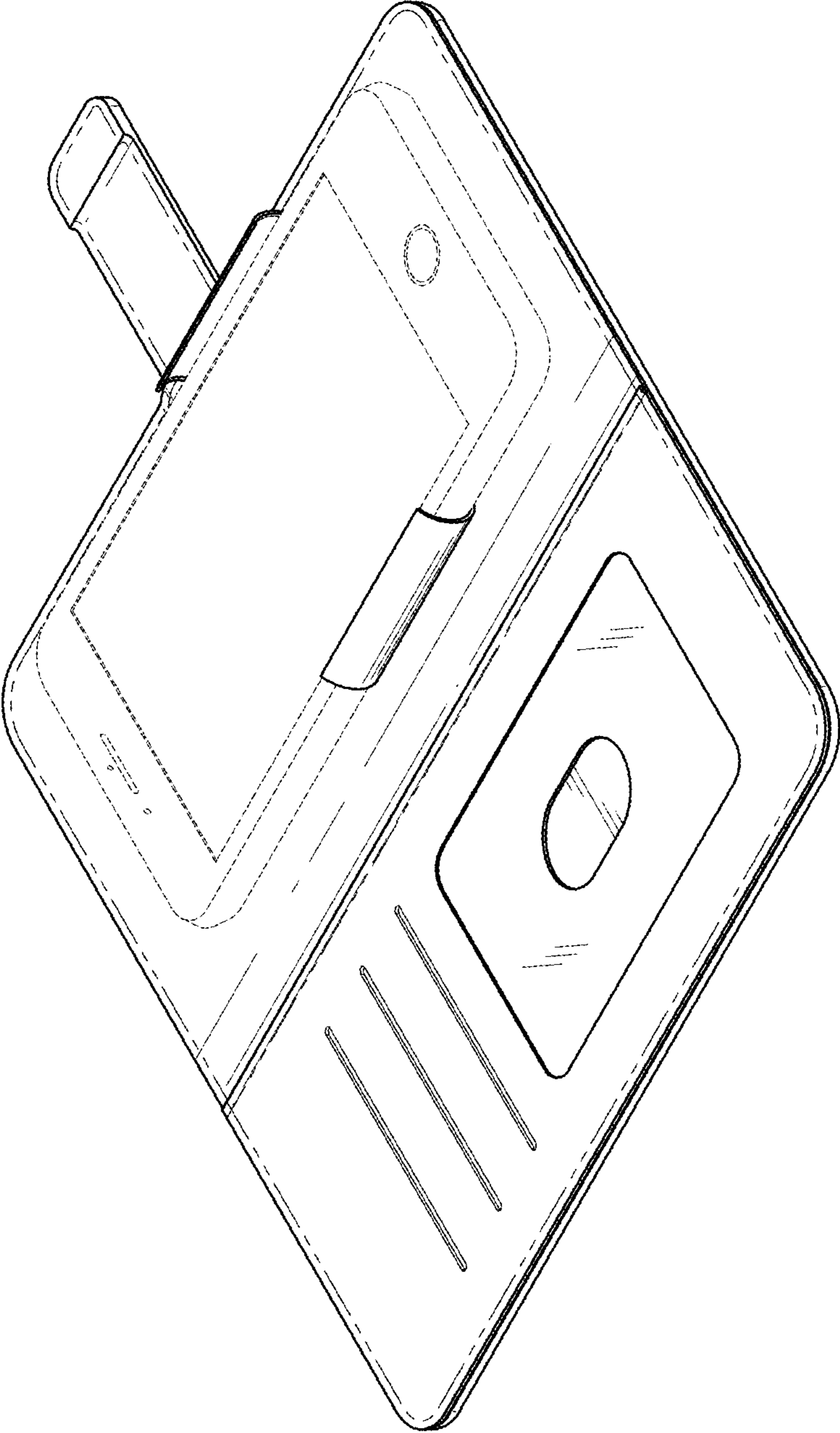


FIG. 14



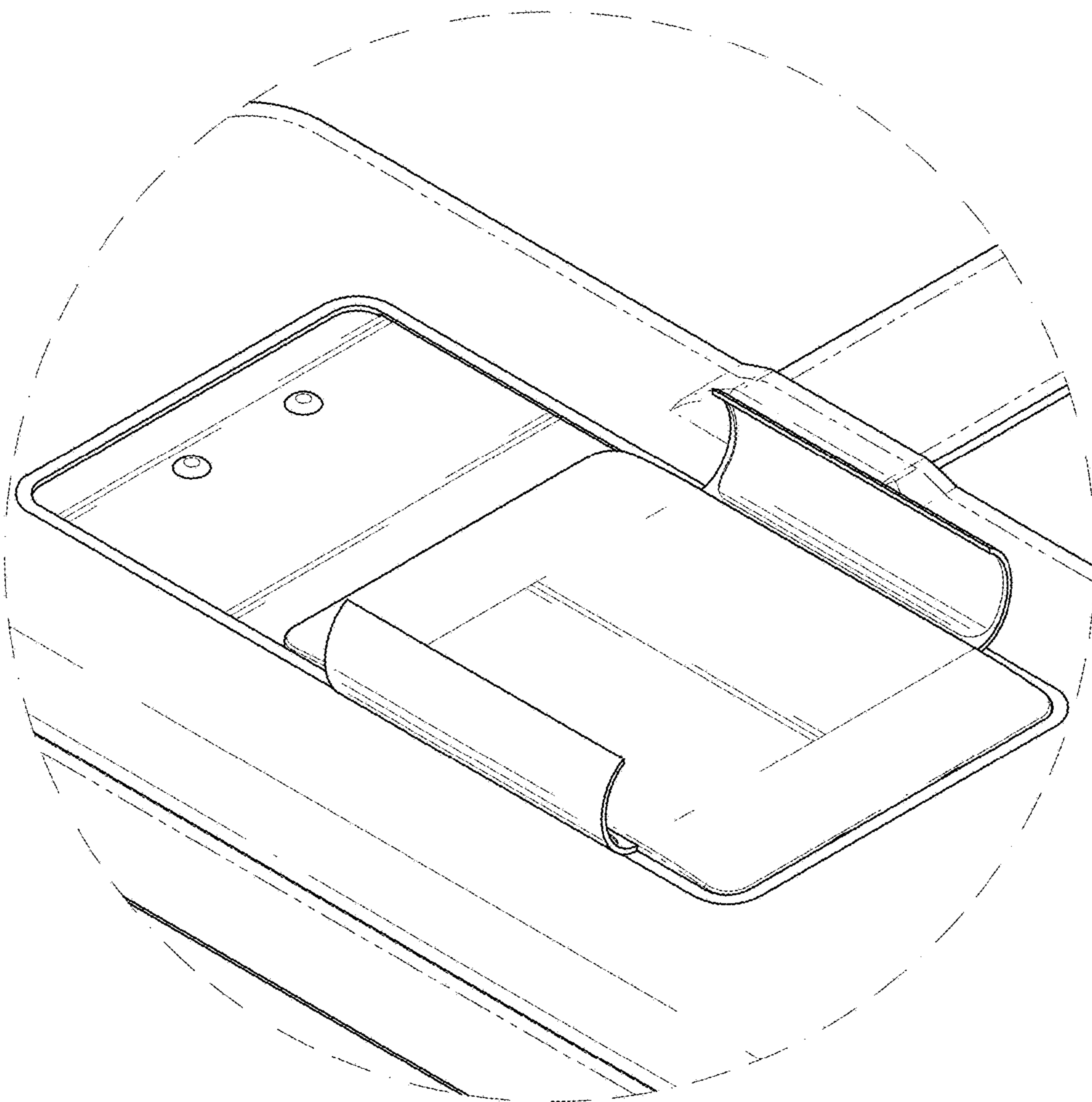


FIG. 15