



US00D806377S

(12) **United States Design Patent** (10) **Patent No.:** **US D806,377 S**
Ayre (45) **Date of Patent:** **** Jan. 2, 2018**

(54) **WALKING AID BASE**
(71) Applicant: **Steven James Ayre**, Midland, MI (US)
(72) Inventor: **Steven James Ayre**, Midland, MI (US)
(**) Term: **15 Years**
(21) Appl. No.: **29/563,014**
(22) Filed: **May 2, 2016**
(51) **LOC (11) Cl.** **03-03**
(52) **U.S. Cl.**
USPC **D3/17**
(58) **Field of Classification Search**
USPC D3/5, 6, 7, 8, 10, 17; D12/133;
D11/143
CPC A45B 3/00; A45B 3/02; A45B 9/00; A45B
2009/002; A45B 9/02; A45B 9/04; A61H
3/0288
See application file for complete search history.

D570,094 S * 6/2008 Wainwright D3/17
D587,003 S * 2/2009 Shinohara D3/17
D587,894 S * 3/2009 Wainwright D3/10
D632,476 S * 2/2011 Owens D3/17
D743,162 S * 11/2015 Adams D3/10
D764,161 S * 8/2016 Vasilatos D3/17
2011/0232710 A1* 9/2011 Okwumabua A61H 3/04
135/78
2011/0259381 A1* 10/2011 Adams A45B 9/04
135/82
2012/0291829 A1* 11/2012 Albury A61H 3/0288
135/77
2014/0227920 A1* 8/2014 Lovett A45B 3/00
441/1
2015/0225041 A1* 8/2015 Lovett A43B 3/108
441/21

* cited by examiner

Primary Examiner — John Windmuller

Assistant Examiner — Steven Czyz

(57) **CLAIM**

The ornamental design for a walking aid base, as shown and described.

(56) **References Cited**

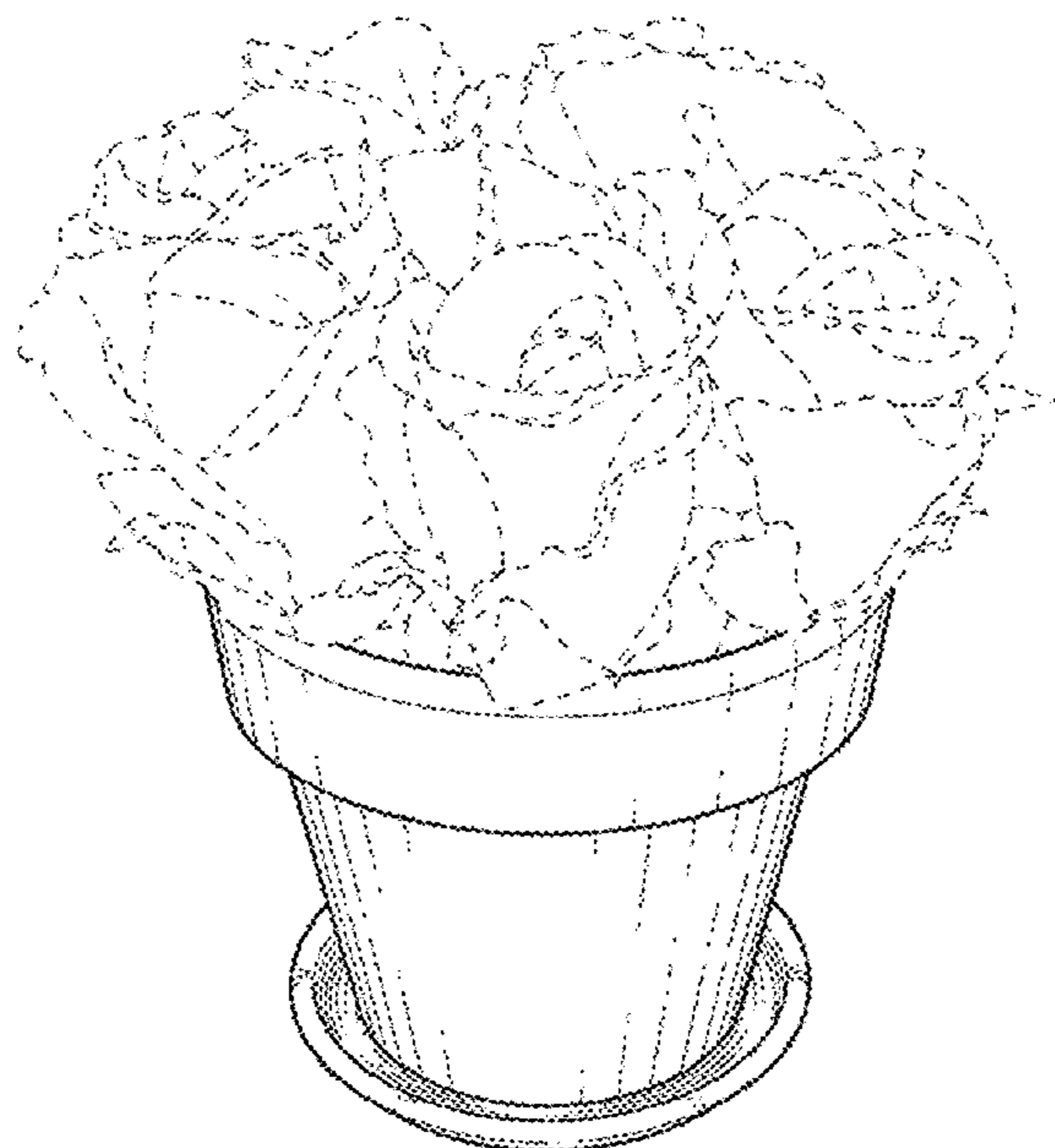
U.S. PATENT DOCUMENTS

D255,555 S * 6/1980 Smith 47/79
D322,046 S * 12/1991 Woods D11/144
D370,430 S * 6/1996 Powell D11/143
5,713,382 A * 2/1998 Midcap A45B 9/04
135/44
D398,557 S * 9/1998 Grosfillex D11/152
D400,823 S * 11/1998 Bagshaw D11/152
D405,027 S * 2/1999 McElwain D11/144
D417,070 S * 11/1999 Wylar D3/17
D441,315 S * 5/2001 Huffman D11/143
D485,710 S * 1/2004 Burkhart D11/152
D489,642 S * 5/2004 Brumlow D11/143
D511,889 S * 11/2005 Cockrell D3/17
D518,948 S * 4/2006 Calkins D3/10

DESCRIPTION

FIG. 1 is a perspective view of a walking aid base shown with one sample flower;
FIG. 2 is a top plan view thereof;
FIG. 3 is a front view thereof;
FIG. 4 is a rear view thereof;
FIG. 5 is a bottom view thereof; and,
FIG. 6 is a cross-sectional view of the walking aid base taken along line 6-6 of FIG. 2.
The broken lines depict portions of the article that form no part of the claimed design.

1 Claim, 4 Drawing Sheets



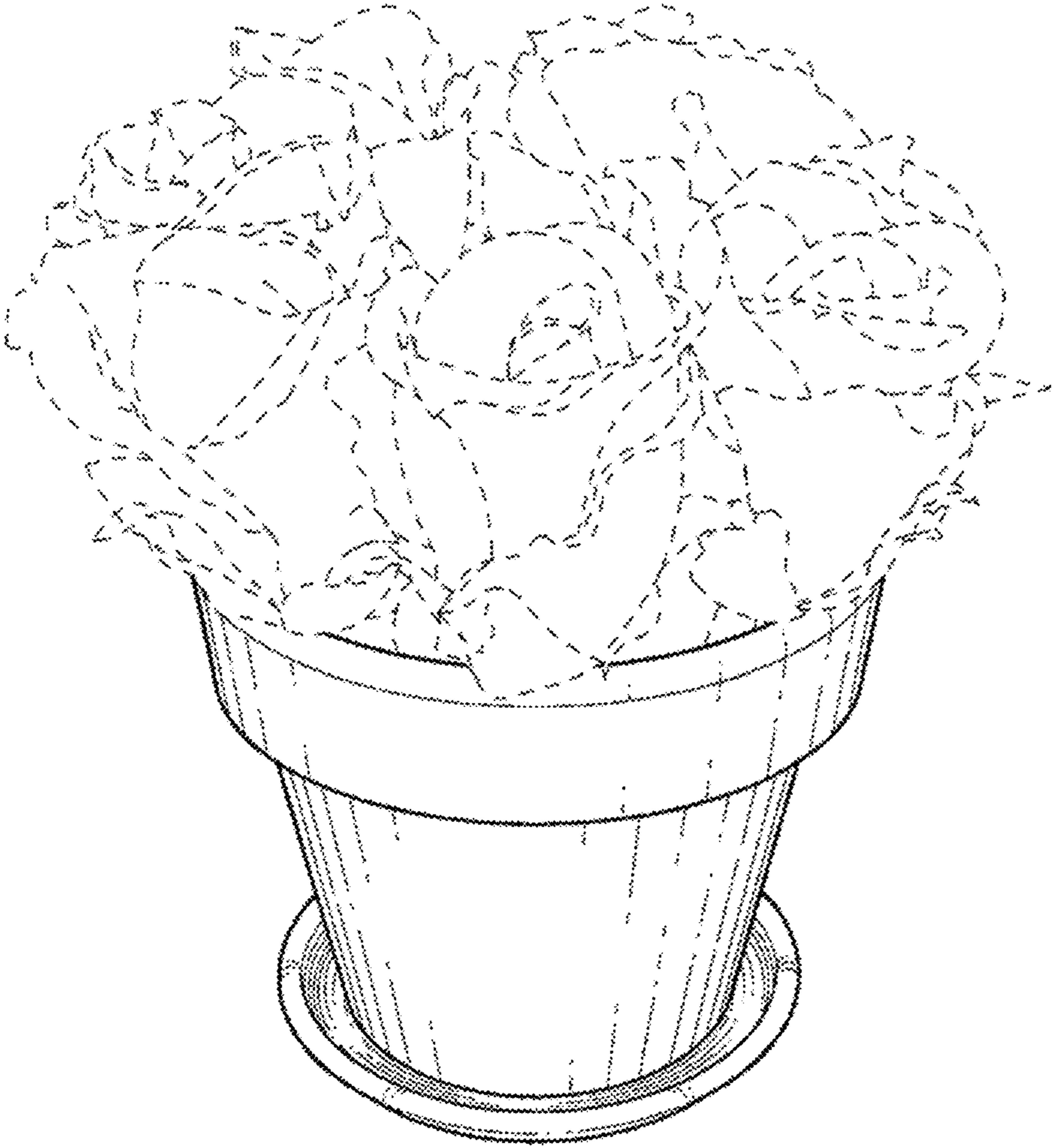
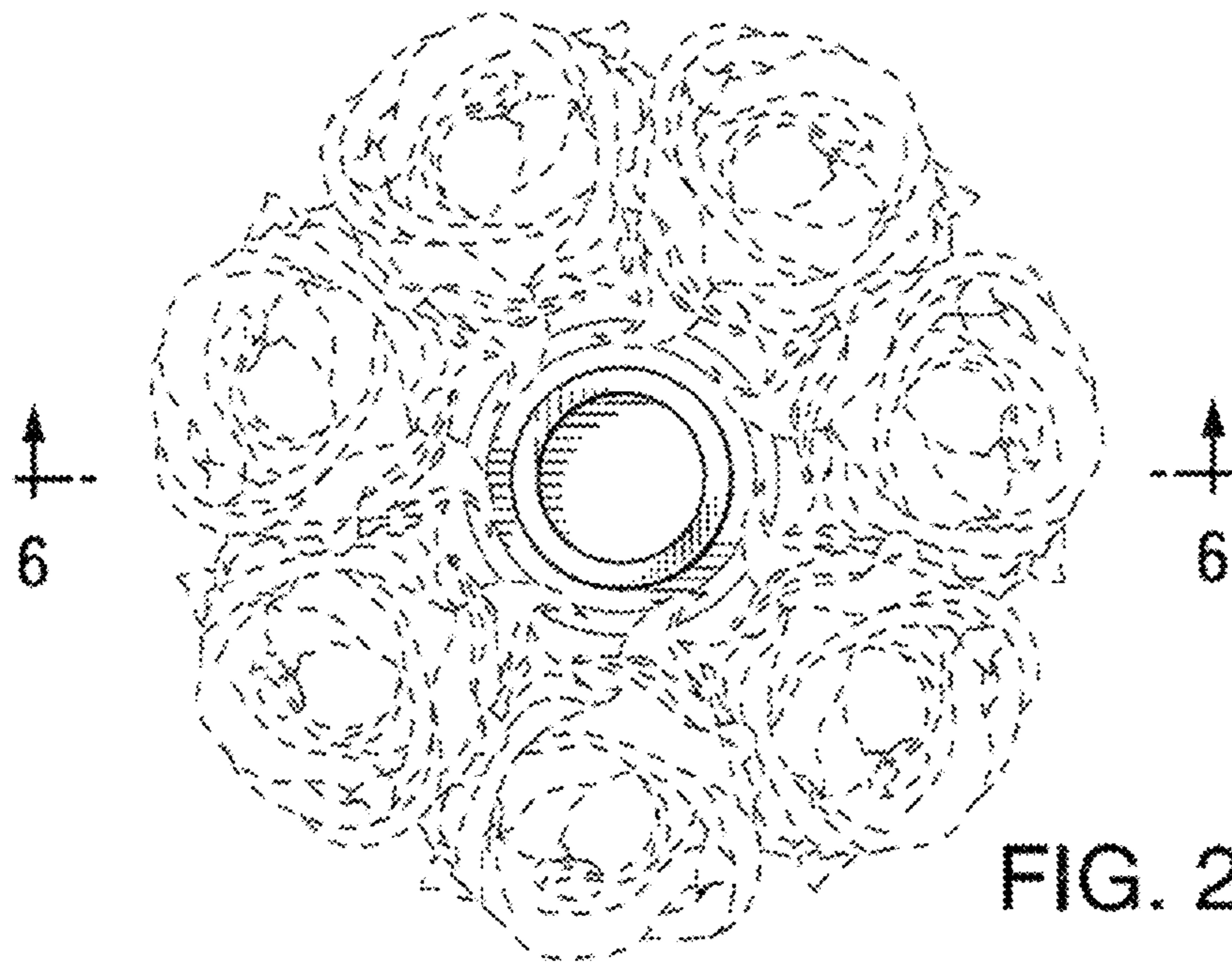


FIG. 1



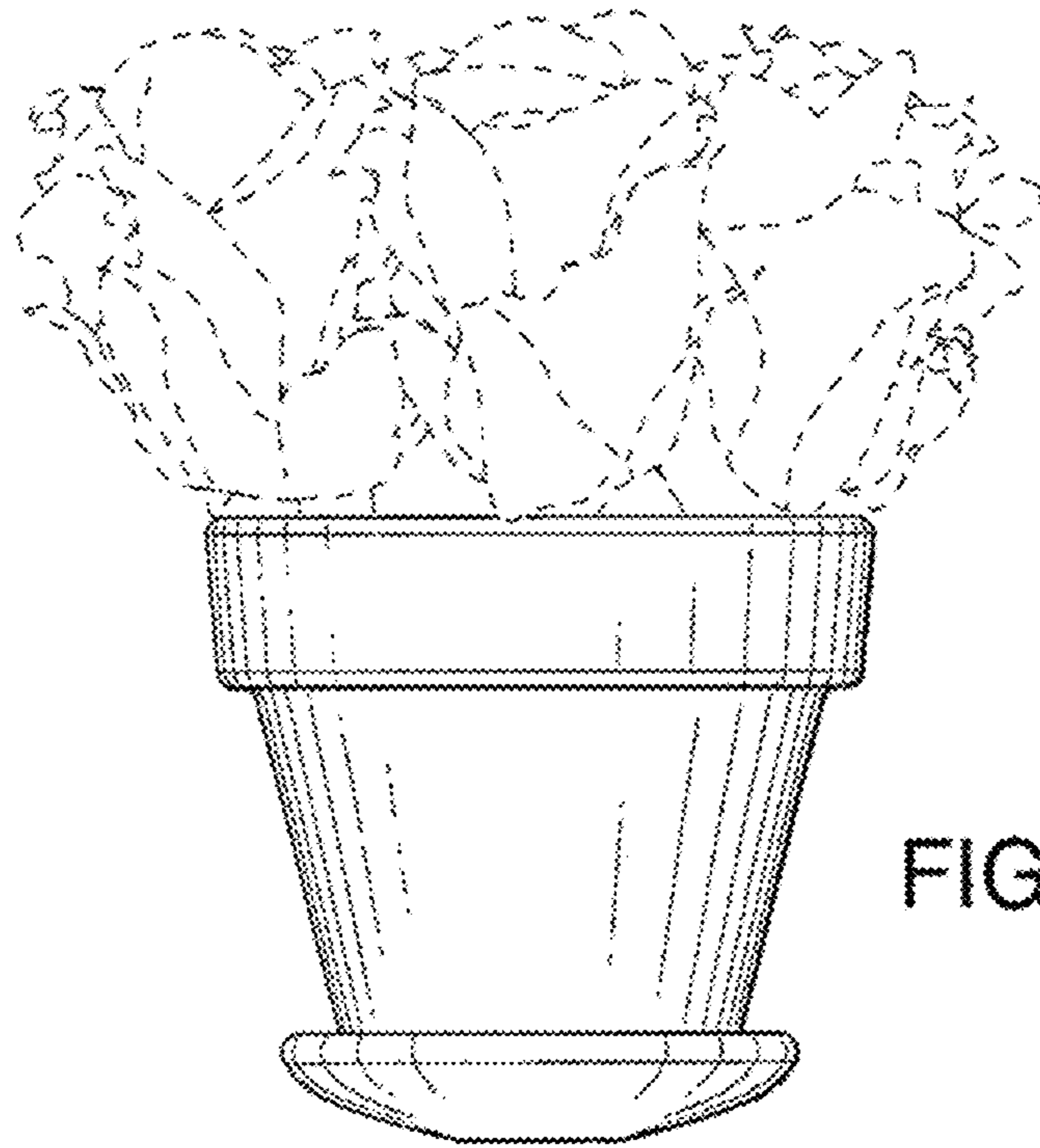


FIG. 3

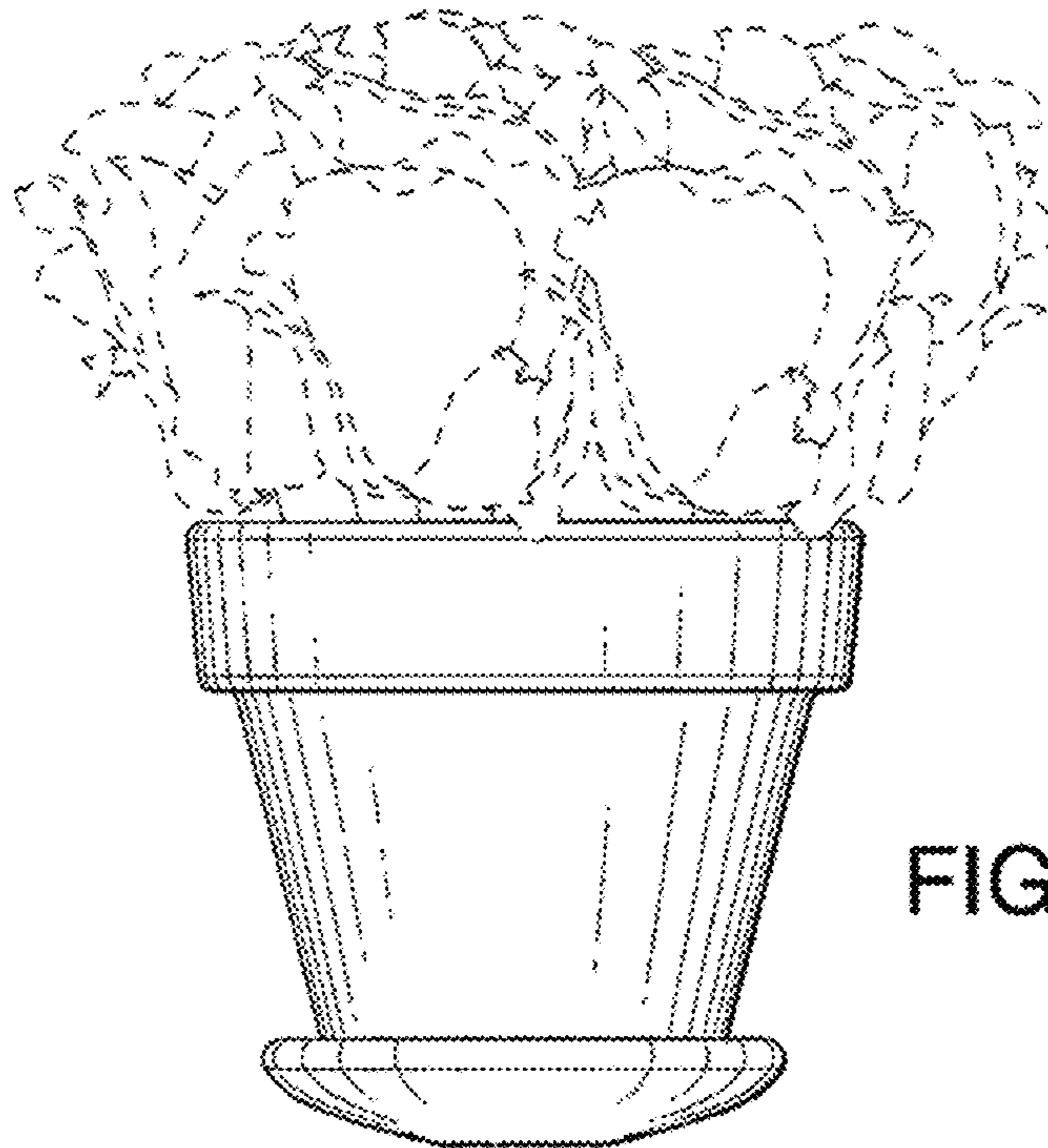


FIG. 4

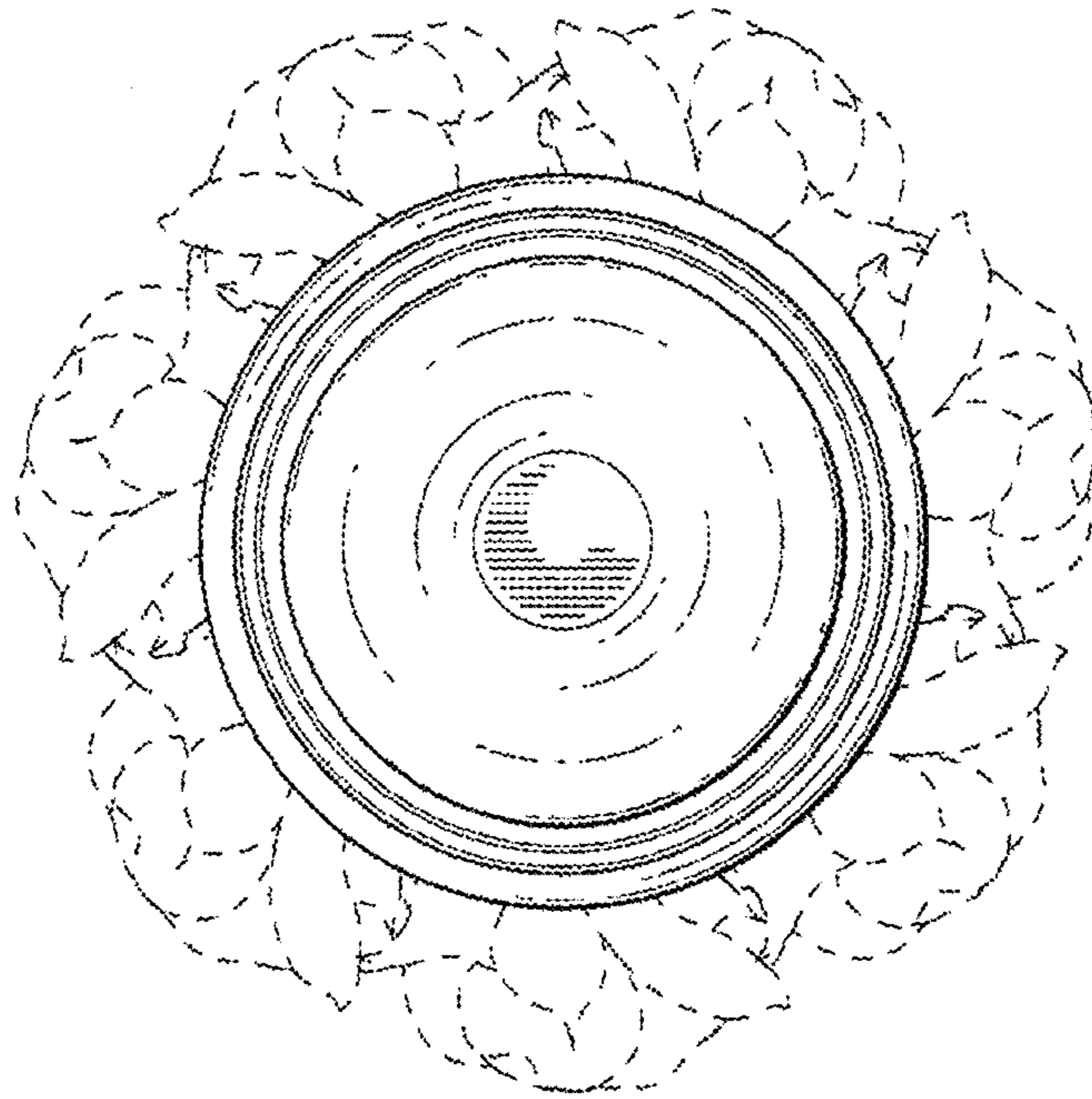


FIG. 5

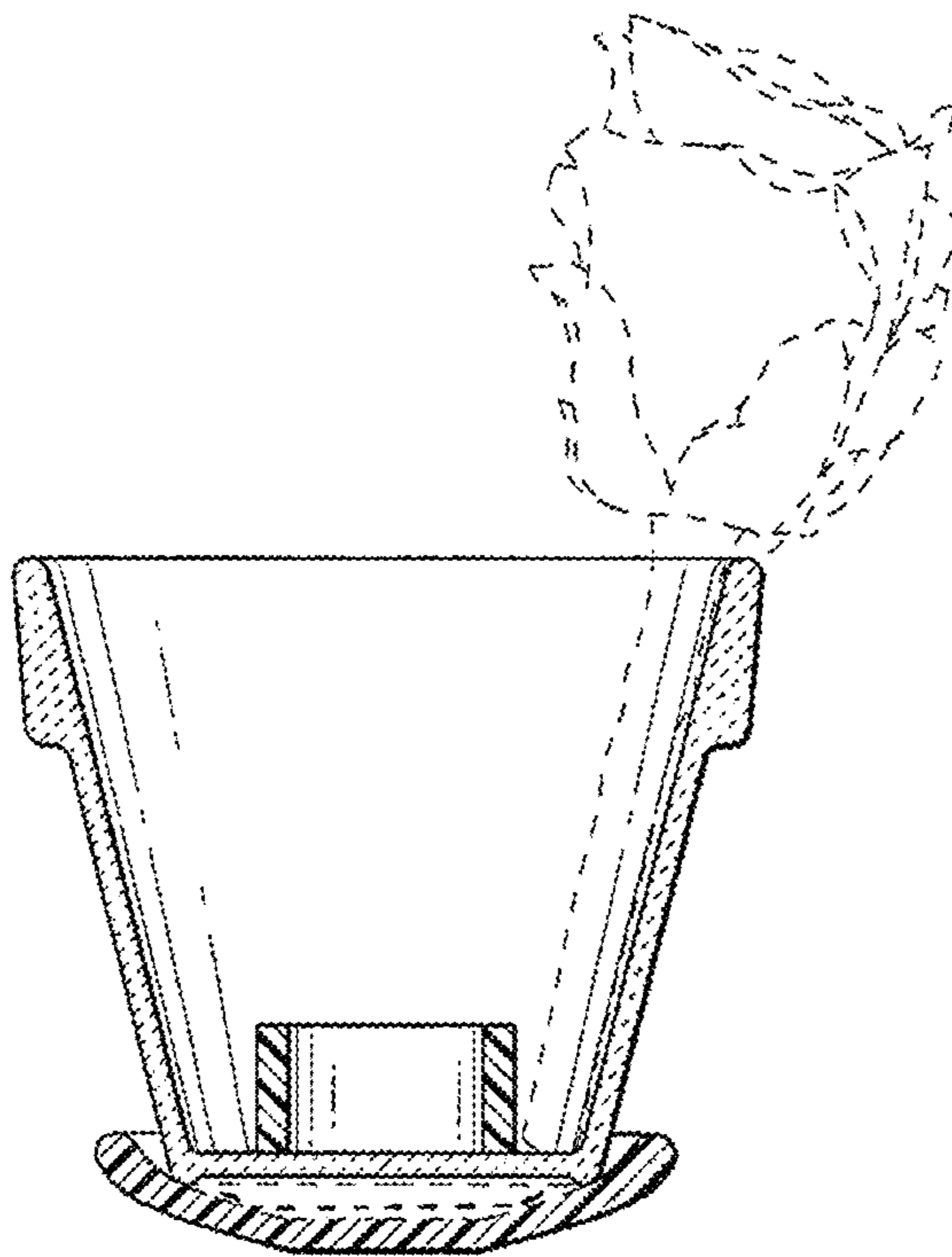


FIG. 6