



US00D806368S

(12) **United States Design Patent**
Sassi

(10) **Patent No.:** **US D806,368 S**
(45) **Date of Patent:** **** Jan. 2, 2018**

- (54) **SHOE**
- (71) Applicant: **VALENTINO S.p.A.**, Milan (IT)
- (72) Inventor: **Stefano Sassi**, Milan (IT)
- (73) Assignee: **Valentino S.p.A.**, Milan (IT)
- (**) Term: **15 Years**
- (21) Appl. No.: **29/565,089**
- (22) Filed: **May 18, 2016**
- (30) **Foreign Application Priority Data**

4,417,408	A *	11/1983	Metro	A43B 13/34 36/36 R
4,468,870	A *	9/1984	Sternberg	A43B 5/00 36/127
4,584,783	A *	4/1986	Dobbin	A43C 1/00 36/50.1
D332,688	S *	1/1993	Autry	D2/907
D370,113	S *	5/1996	Pyle	D2/908
D420,783	S *	2/2000	Brady	D2/902
D620,689	S *	8/2010	Weber	D2/902
D727,002	S *	4/2015	Sassi	D2/944
D738,076	S *	9/2015	Sassi	D2/944
D759,948	S *	6/2016	Sassi	D2/902
D772,541	S *	11/2016	Sassi	D2/902
D774,287	S *	12/2016	Taestensen	D2/908
2010/0275470	A1 *	11/2010	Hoffer	A43B 1/0009 36/3 R

- Nov. 19, 2015 (IT) 402015000074446
- (51) **LOC (11) Cl.** **02-04**
- (52) **U.S. Cl.**
USPC **D2/908**; D2/944
- (58) **Field of Classification Search**
USPC D2/896, 902, 905, 906, 907, 908, 909,
D2/910, 911, 912, 943, 944, 946, 947,
D2/951, 959, 969, 972, 976, 977
CPC A43B 1/00; A43B 1/10; A43B 1/14; A43B
3/00; A43B 5/00; A43B 5/001; A43B
5/002; A43B 5/003; A43B 5/007; A43B
5/008; A43B 5/02; A43B 5/025; A43B
5/06; A43B 5/08; A43B 5/10; A43B 5/12;
A43B 5/14; A43B 13/00; A43B 13/02;
A43B 13/04; A43B 13/14; A43B 13/18;
A43B 13/32; A43B 23/00; A43B 23/021;
A43B 23/0205; A43B 23/0215; A43B
23/24
See application file for complete search history.

* cited by examiner

Primary Examiner — Elizabeth J Oswecki
(74) *Attorney, Agent, or Firm* — Thomas | Horstemeyer,
LLP

(57) **CLAIM**

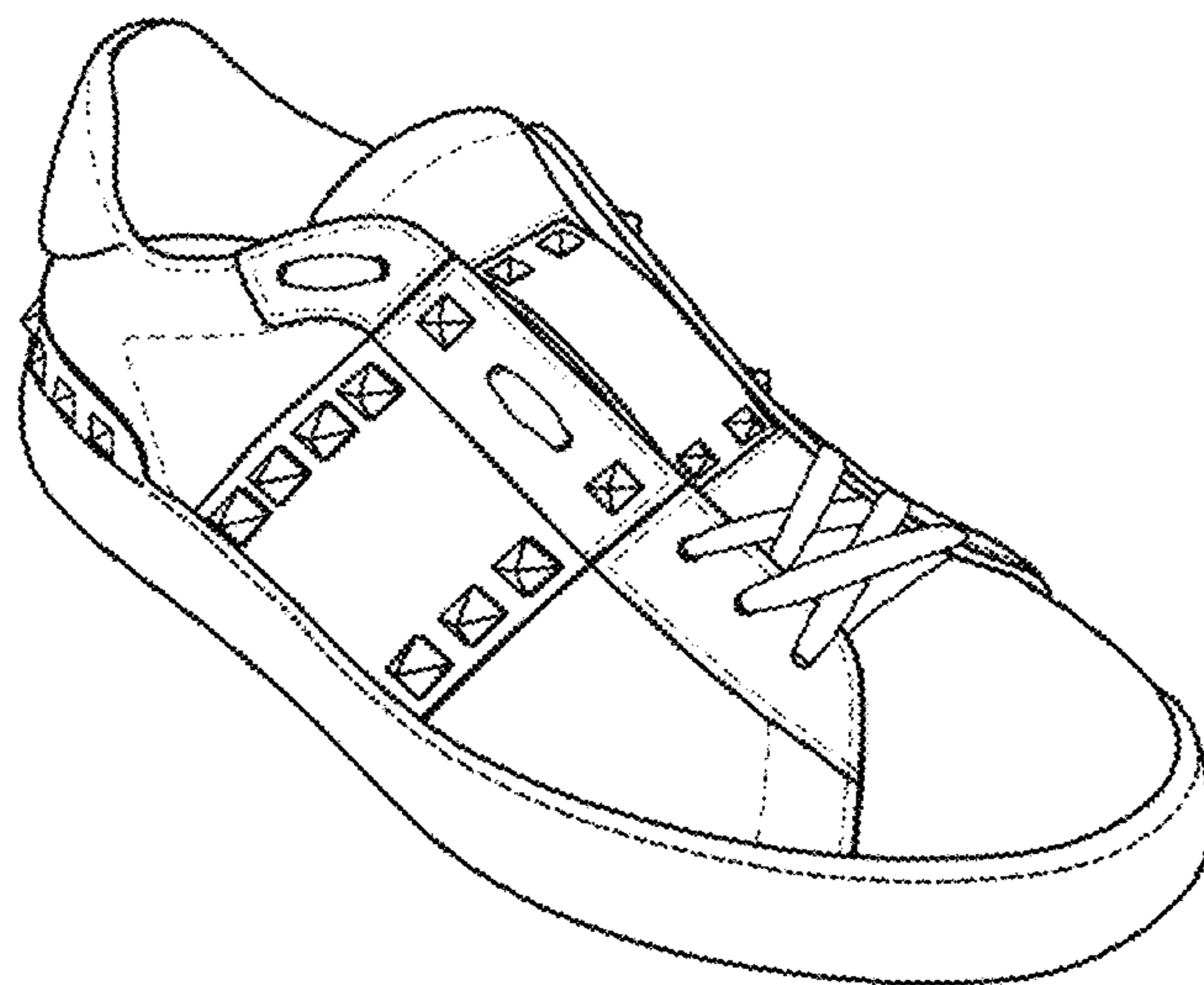
The ornamental design for a shoe, as shown and described.

DESCRIPTION

FIG. 1 is a perspective view of a shoe, showing my new design;
FIG. 2 is a front view thereof;
FIG. 3 is a rear view thereof;
FIG. 4 is a side view thereof;
FIG. 5 is an opposite side view thereof;
FIG. 6 is a top view thereof; and,
FIG. 7 is a bottom view thereof.
The broken lines shown on the shoe represent thread stitching that form part of the claimed design.

1 Claim, 7 Drawing Sheets

- (56) **References Cited**
U.S. PATENT DOCUMENTS
4,319,412 A * 3/1982 Muller A43B 23/20
36/29
4,335,529 A * 6/1982 Badalamenti A43B 5/00
36/114



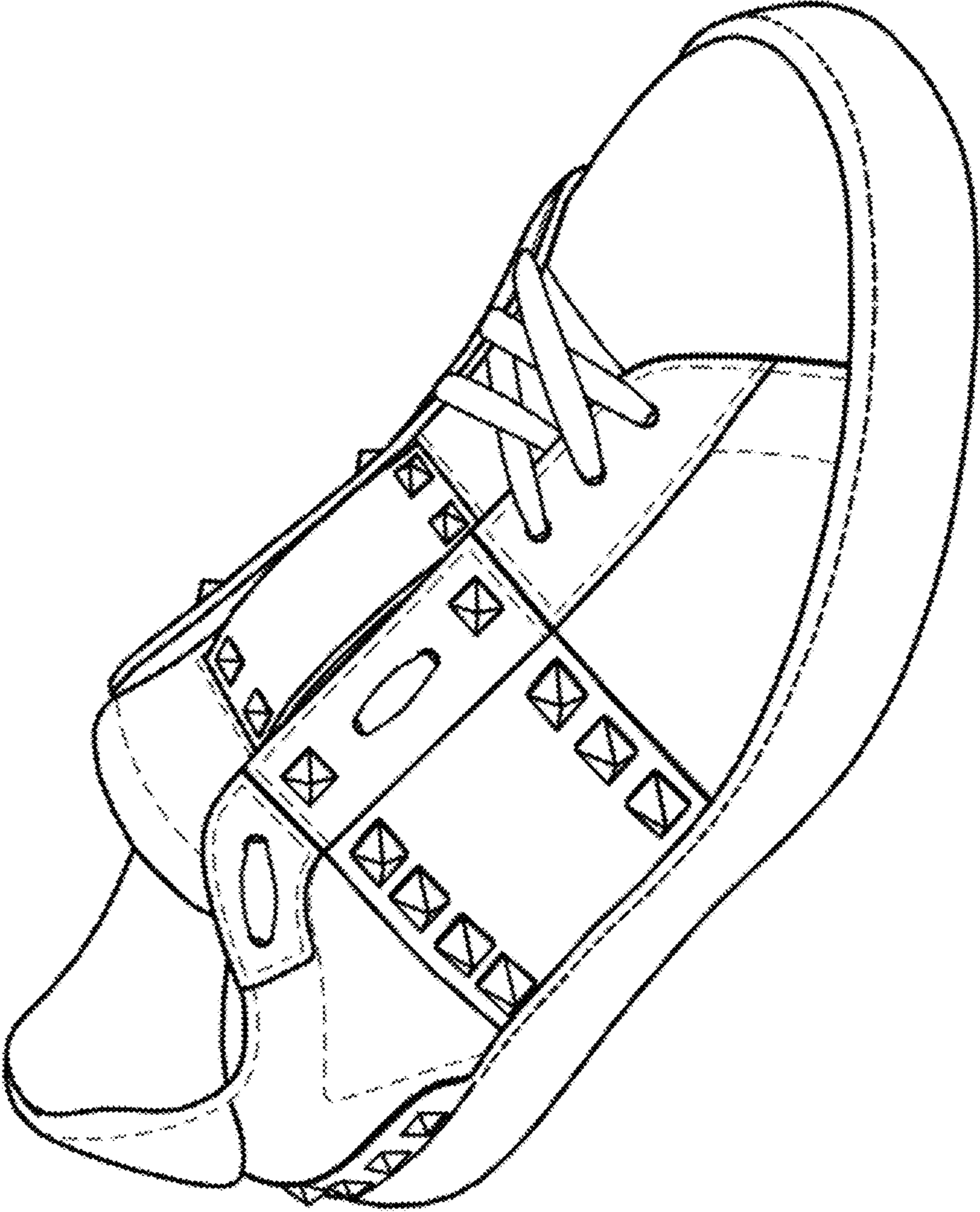


FIG. 1

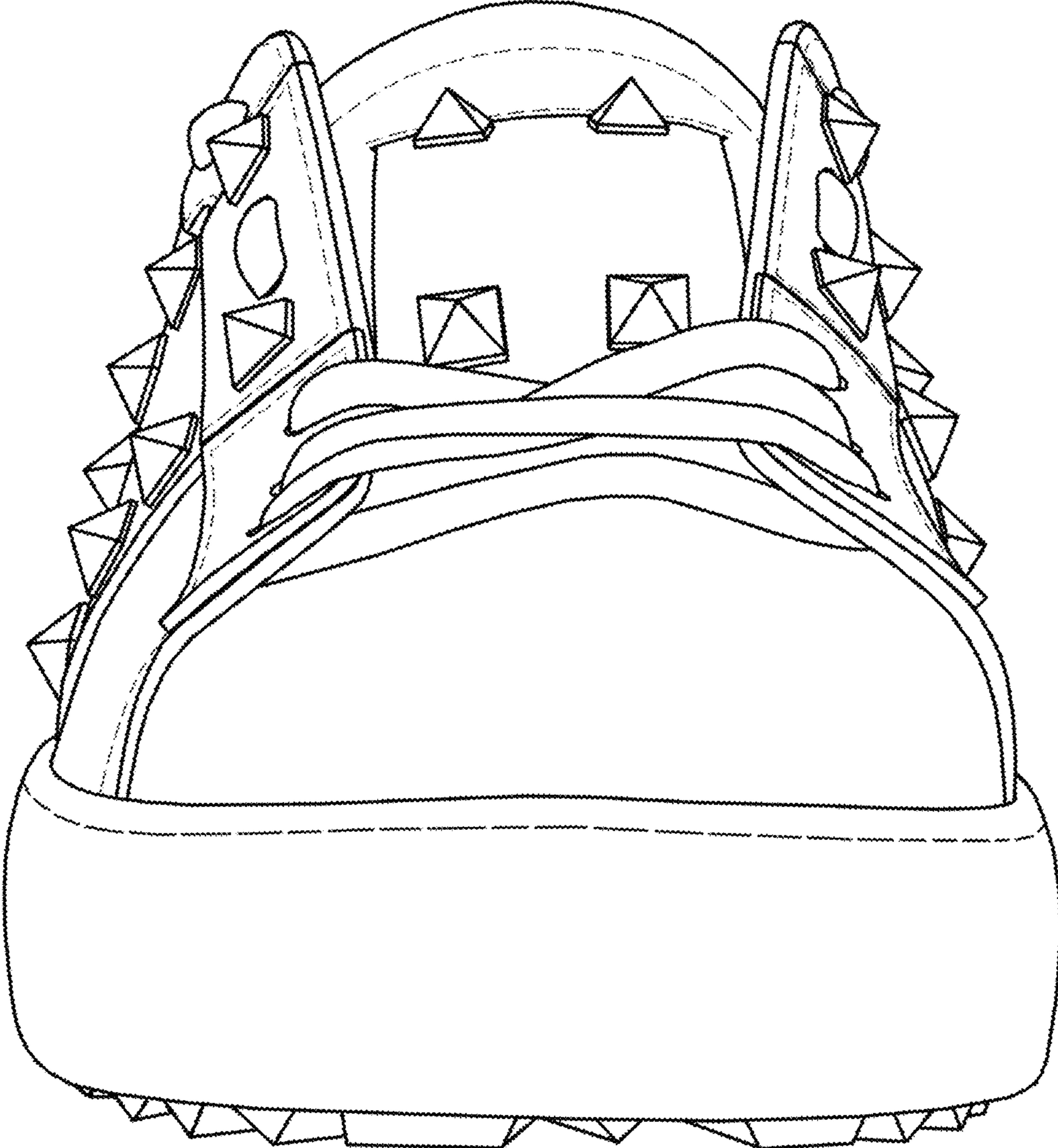


FIG. 2

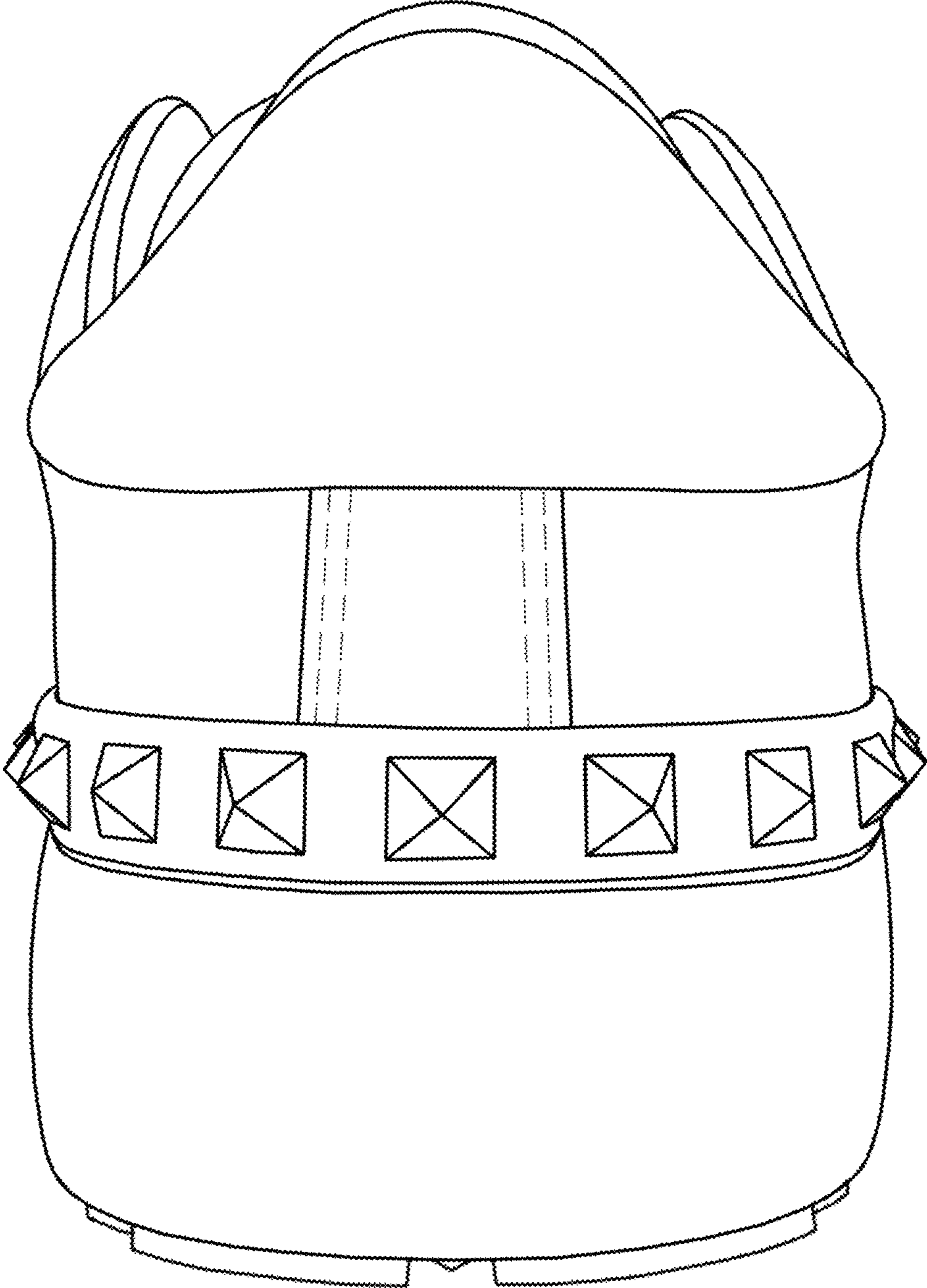


FIG. 3

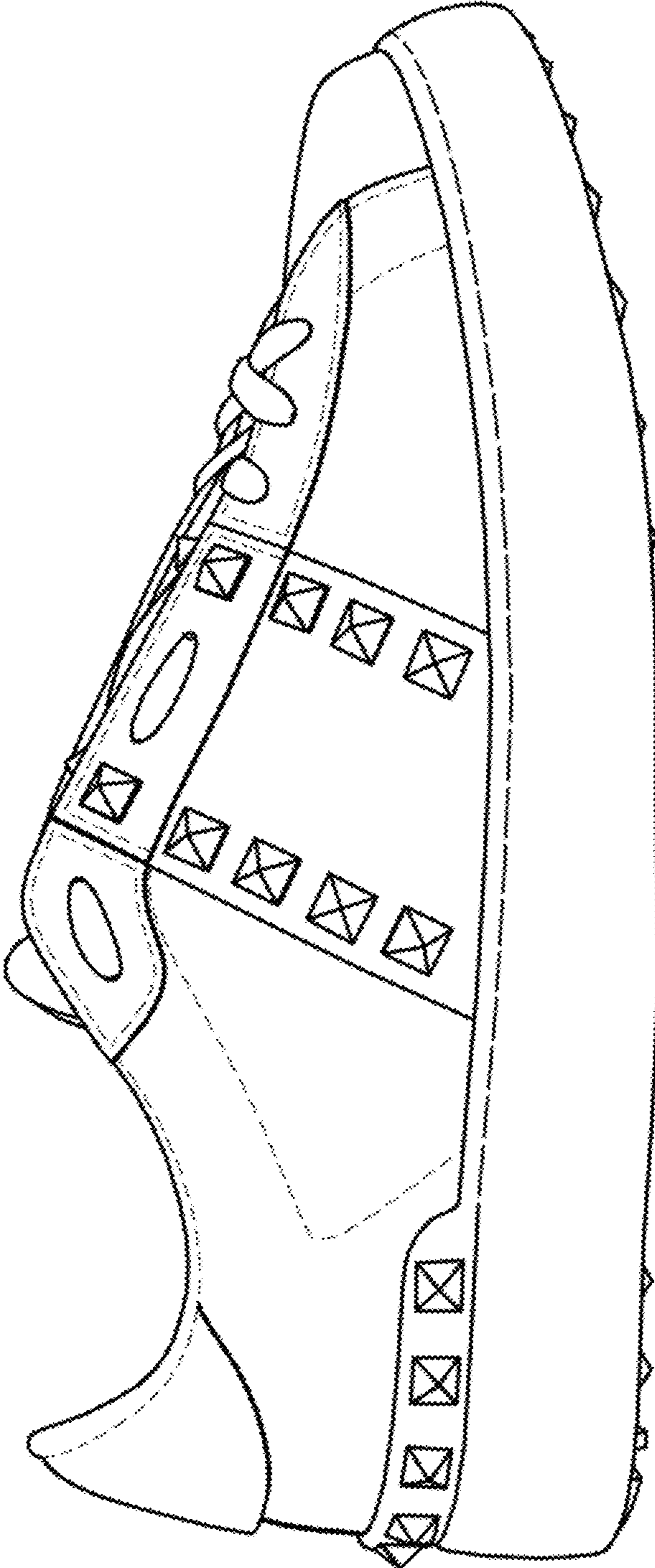


FIG. 4

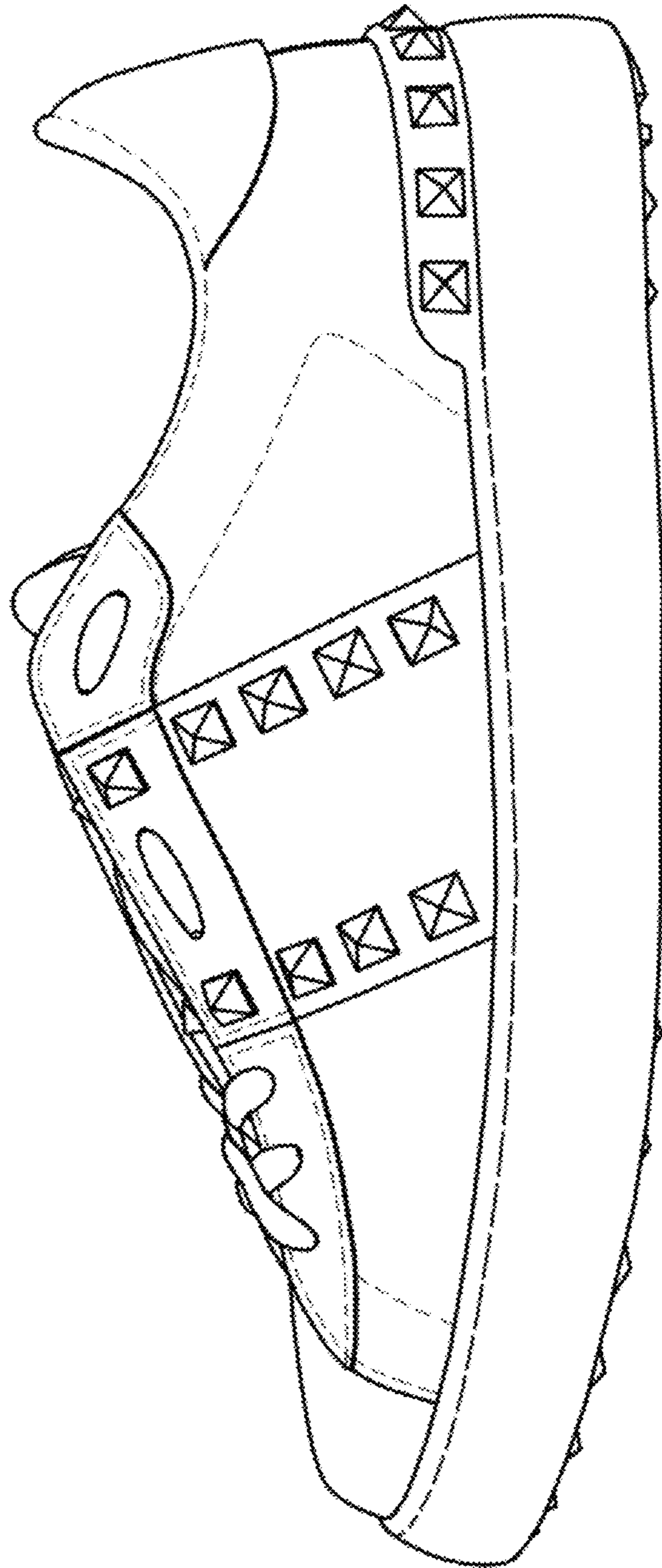


FIG. 5

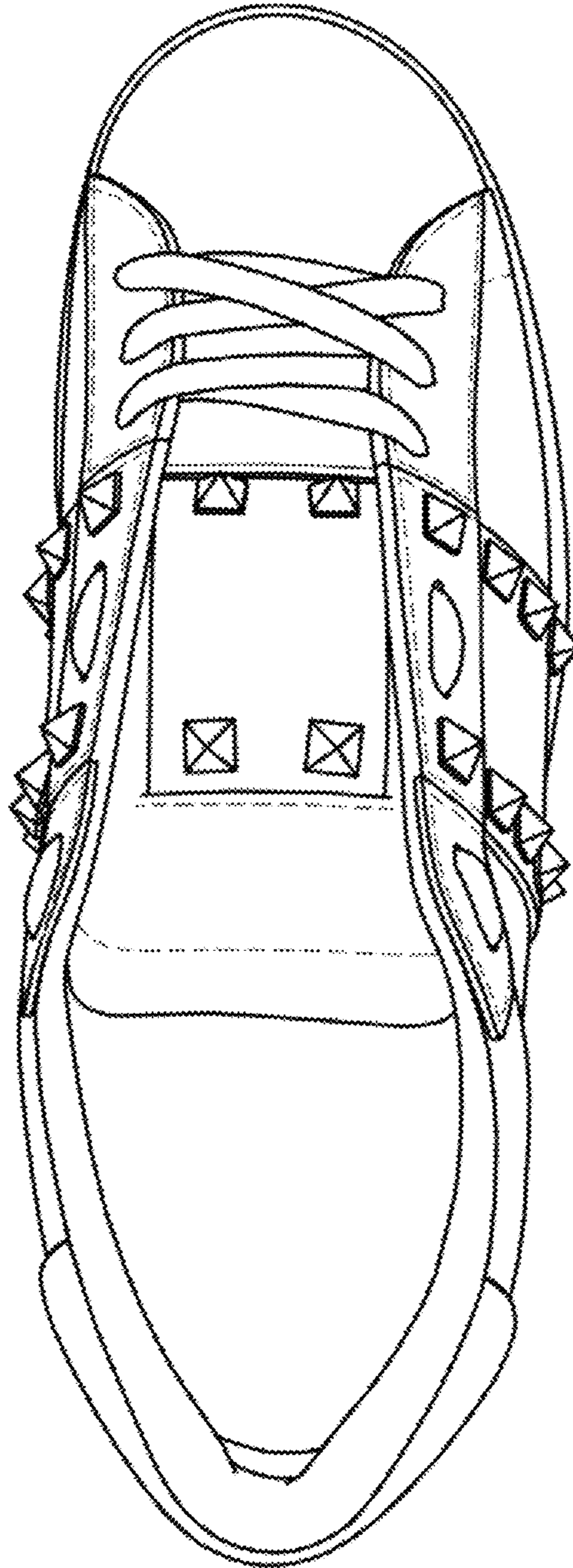


FIG. 6

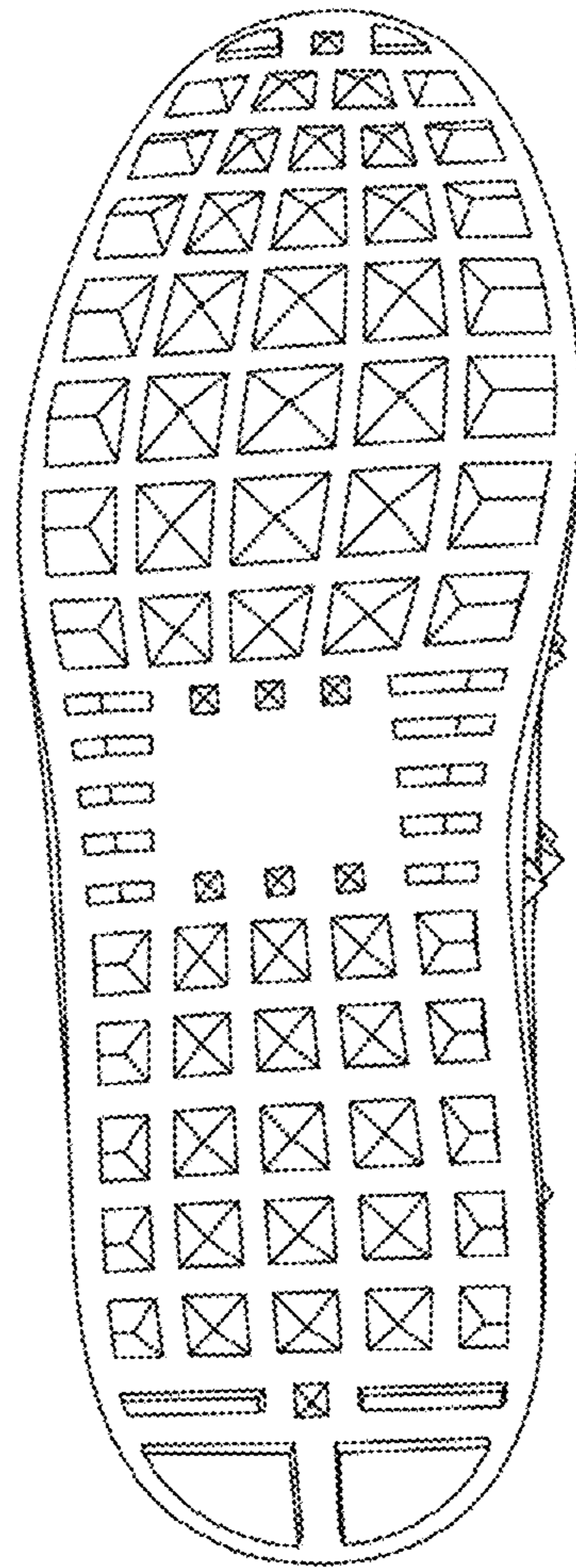


FIG. 7