



US00D806366S

(12) **United States Design Patent**
Hamilton

(10) **Patent No.:** **US D806,366 S**

(45) **Date of Patent:** **** Jan. 2, 2018**

(54) **HAT BILL**

(71) Applicant: **Robert Lawrence Hamilton**, Moreno Valley, CA (US)

(72) Inventor: **Robert Lawrence Hamilton**, Moreno Valley, CA (US)

(**) Term: **15 Years**

(21) Appl. No.: **29/505,904**

(22) Filed: **Apr. 1, 2016**

(51) **LOC (11) Cl.** **02-03**

(52) **U.S. Cl.**
USPC **D2/893**

(58) **Field of Classification Search**
USPC D2/865, 866, 869, 872, 873, 876, 879,
D2/882, 886, 891, 892, 893; D16/310,
D16/311, 337, 340; D29/109, 122
CPC A42B 1/00; A42B 1/063; A42B 1/064;
A42B 1/065; A42B 3/00; A42B 3/22;
A42C 1/06; A61F 9/045
See application file for complete search history.

(56) **References Cited**

U.S. PATENT DOCUMENTS

- 4,247,957 A * 2/1981 Rogers A61F 9/045
2/12
- D363,595 S * 10/1995 Love D2/869
- D372,794 S * 8/1996 Virzi D2/866
- D391,741 S * 3/1998 Baker D2/882
- 5,983,398 A 11/1999 Kronenberger

- D455,538 S * 4/2002 Rhoden D2/869
- D475,507 S * 6/2003 Myers D2/893
- D551,827 S * 10/2007 Saveliev D2/893
- D552,331 S * 10/2007 Saveliev D2/893
- D654,251 S * 2/2012 Alkas-Shamoun D2/882
- D710,074 S * 8/2014 Cho D2/882
- D712,635 S * 9/2014 Rivas D2/882
- D781,535 S * 3/2017 Singletery D2/893
- 2016/0100646 A1 4/2016 Bradford

FOREIGN PATENT DOCUMENTS

KR 3020100052651 * 10/2011

* cited by examiner

Primary Examiner — Karen E. Eldridge Powers

Assistant Examiner — Jasmine Mlinarcik

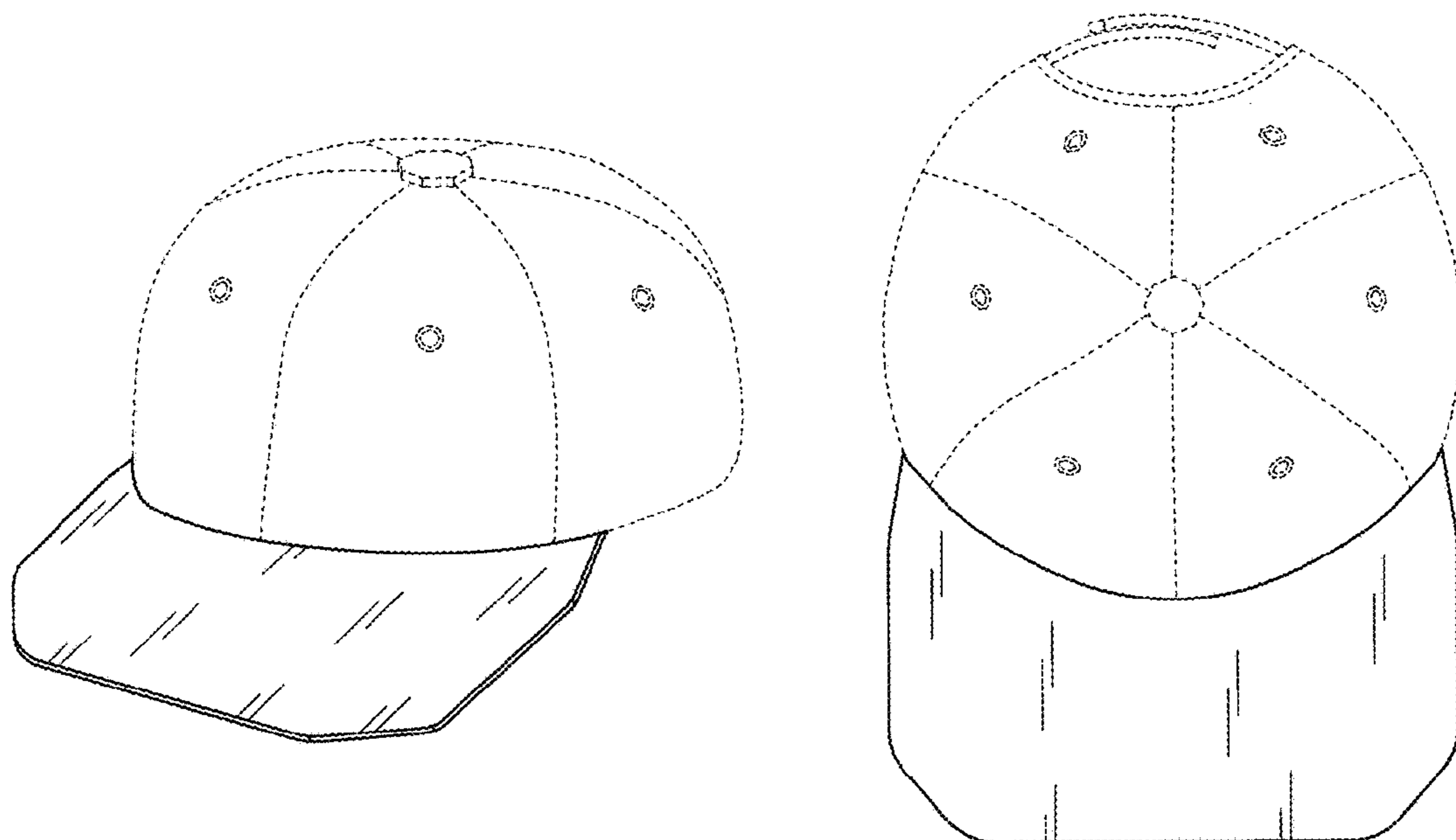
(57) **CLAIM**

The ornamental design for a hat bill, as shown and described.

DESCRIPTION

FIG. 1 is a front perspective view of a hat bill showing my new design;
 FIG. 2 is a top plan view thereof;
 FIG. 3 is a left side elevation view thereof;
 FIG. 4 is a right side elevation view thereof;
 FIG. 5 is a front elevation view thereof;
 FIG. 6 is a rear elevation view thereof; and,
 FIG. 7 is a bottom plan view thereof.
 The broken lines in the drawing figures represent environmental structure that forms no part of the claimed design.

1 Claim, 3 Drawing Sheets



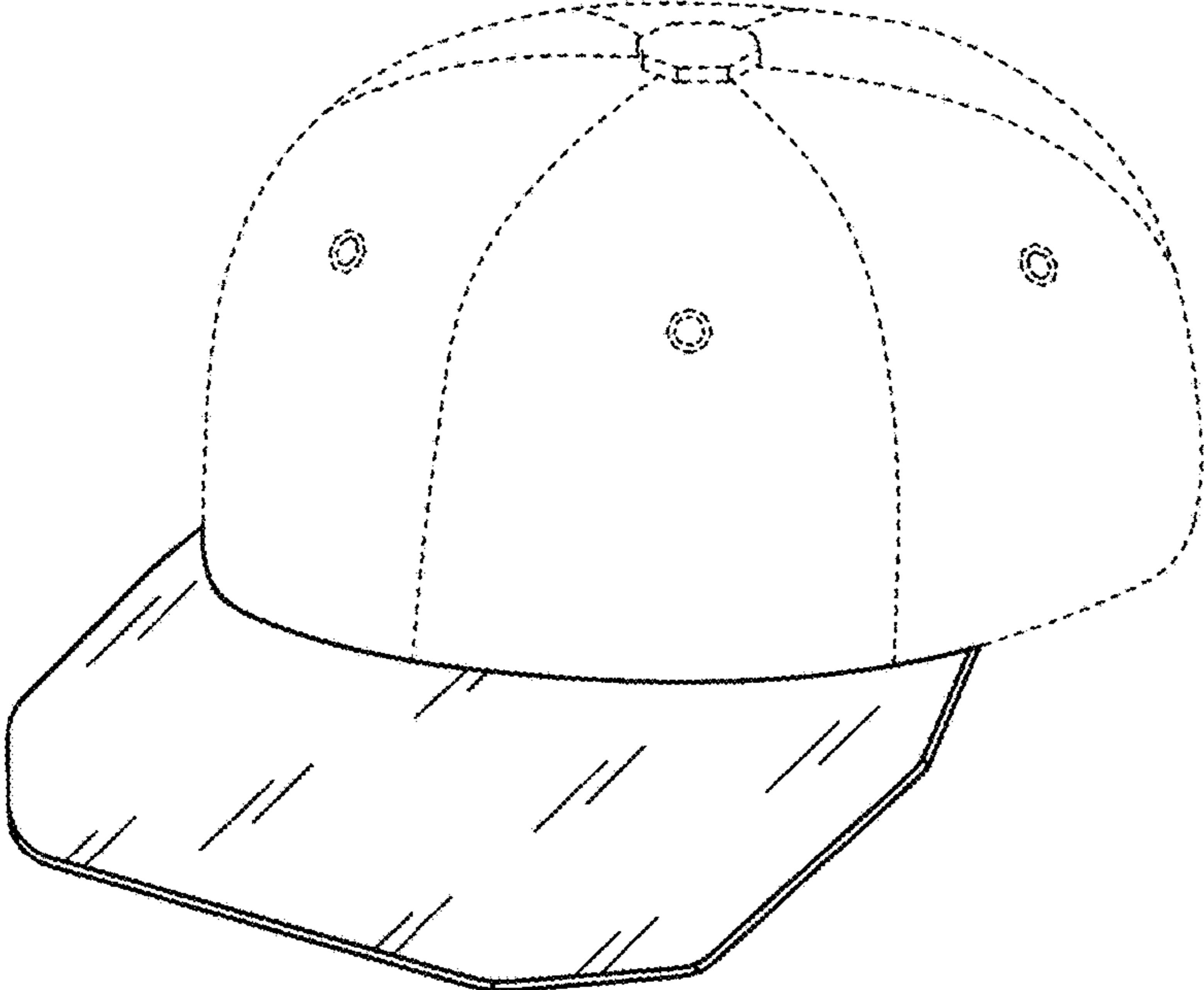


FIG. 1

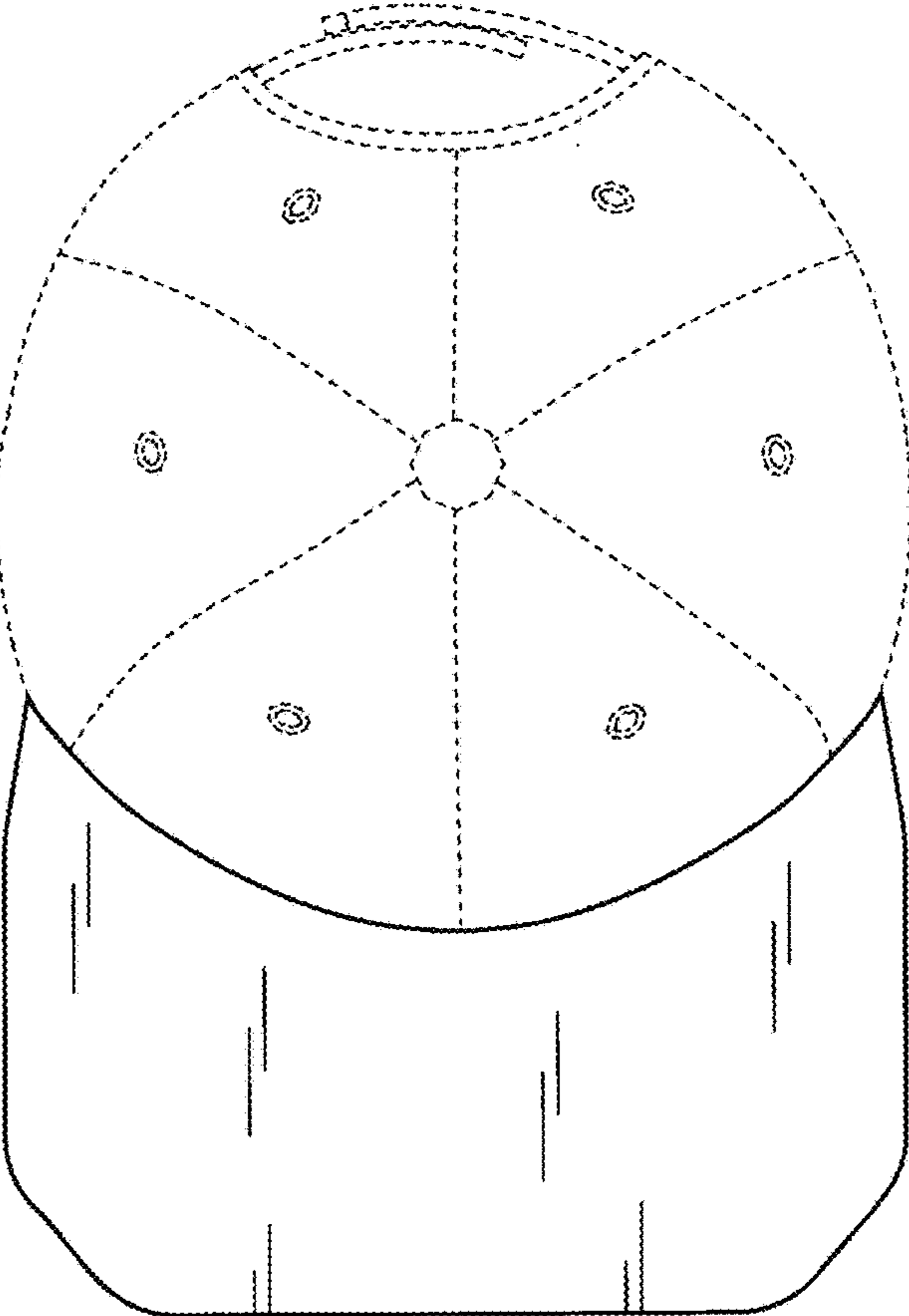


FIG. 2

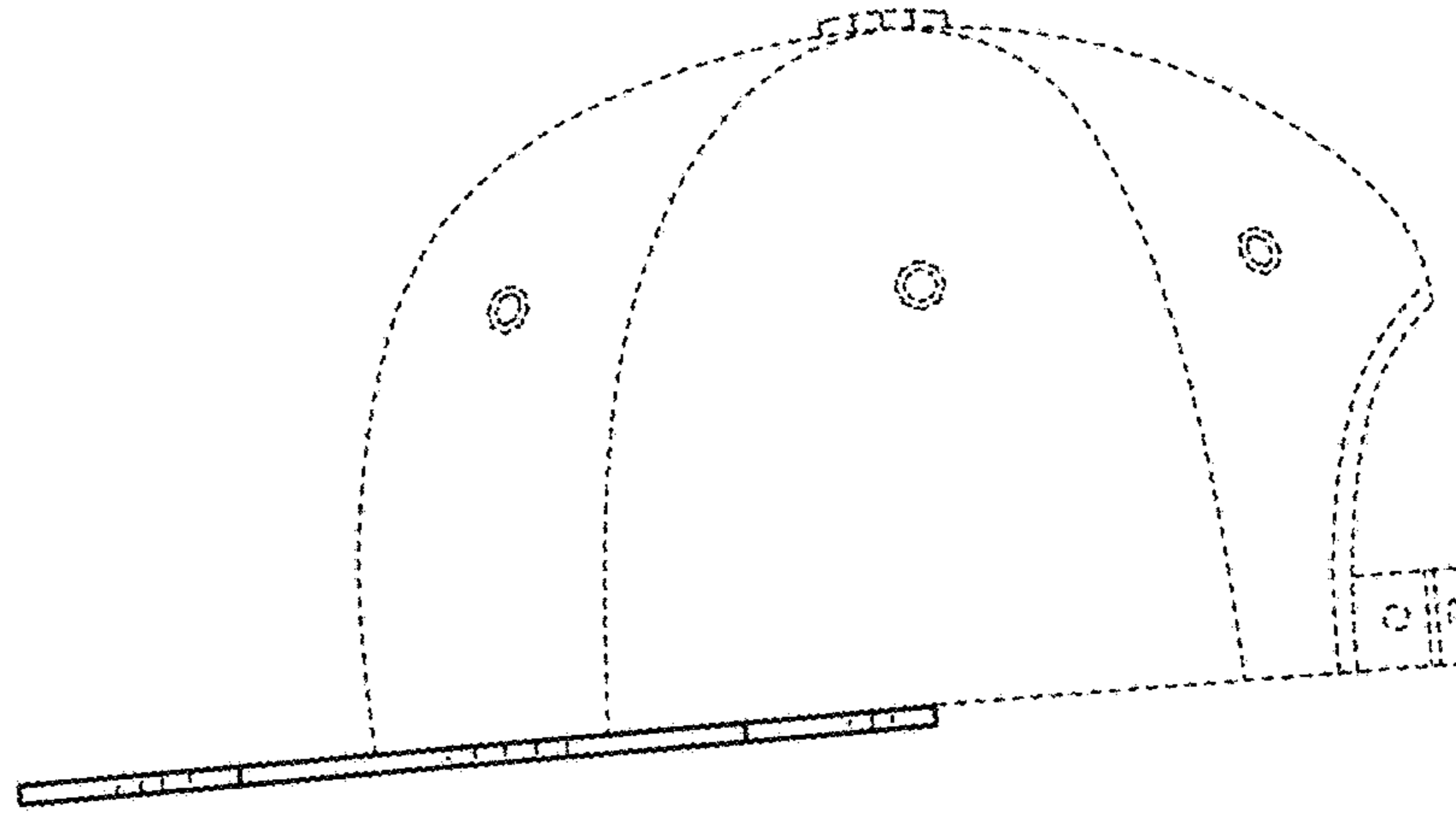


FIG. 3

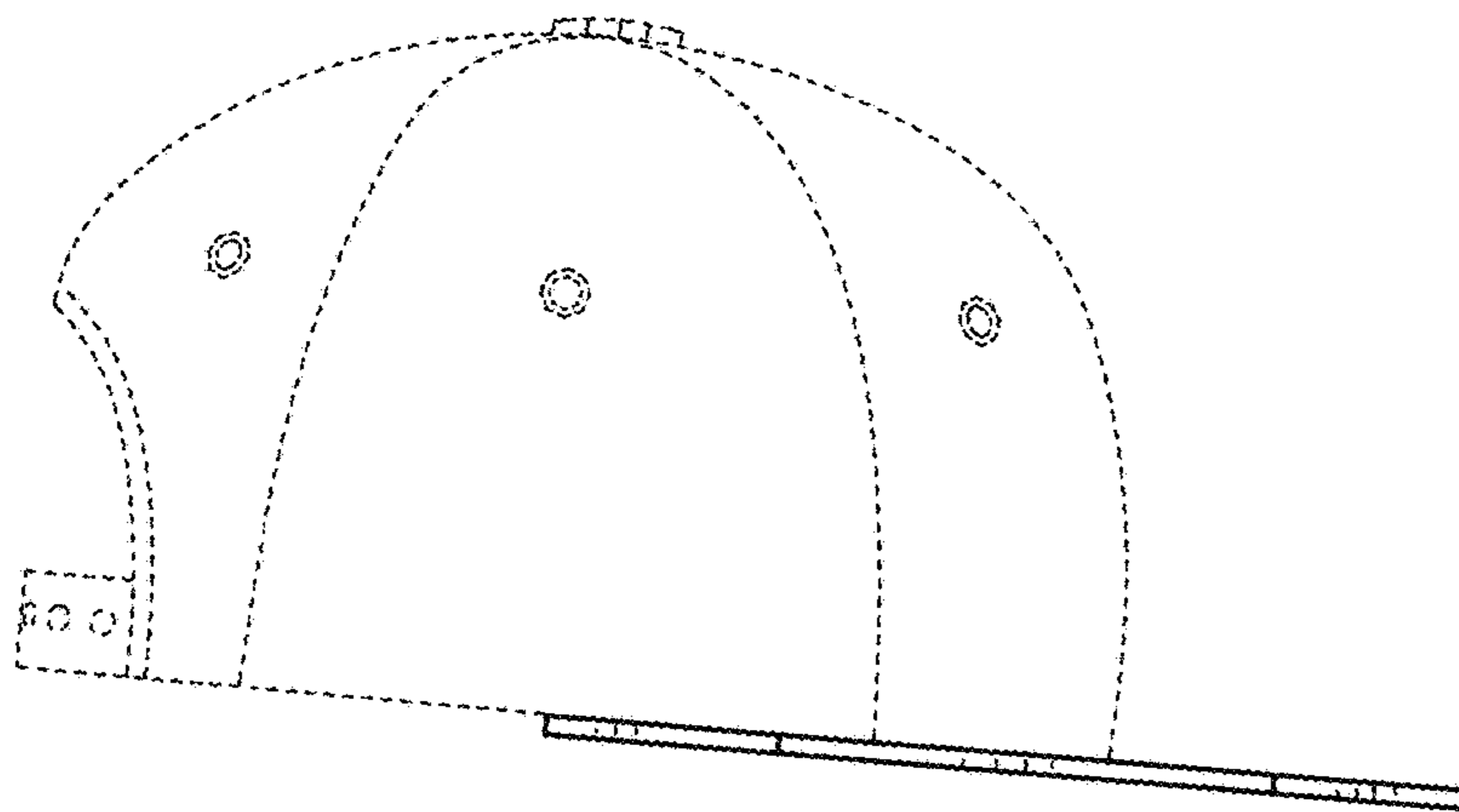


FIG. 4

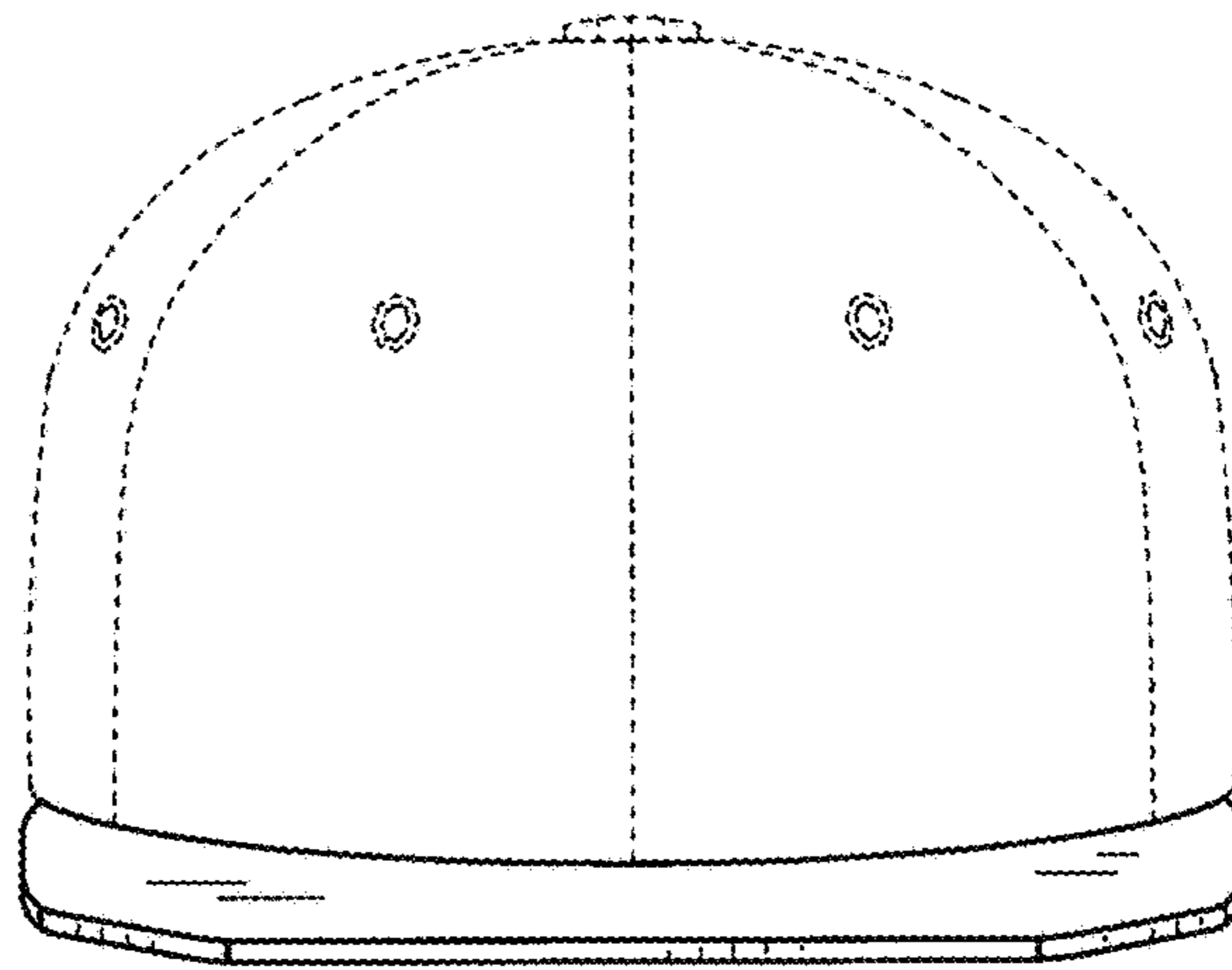


FIG. 5

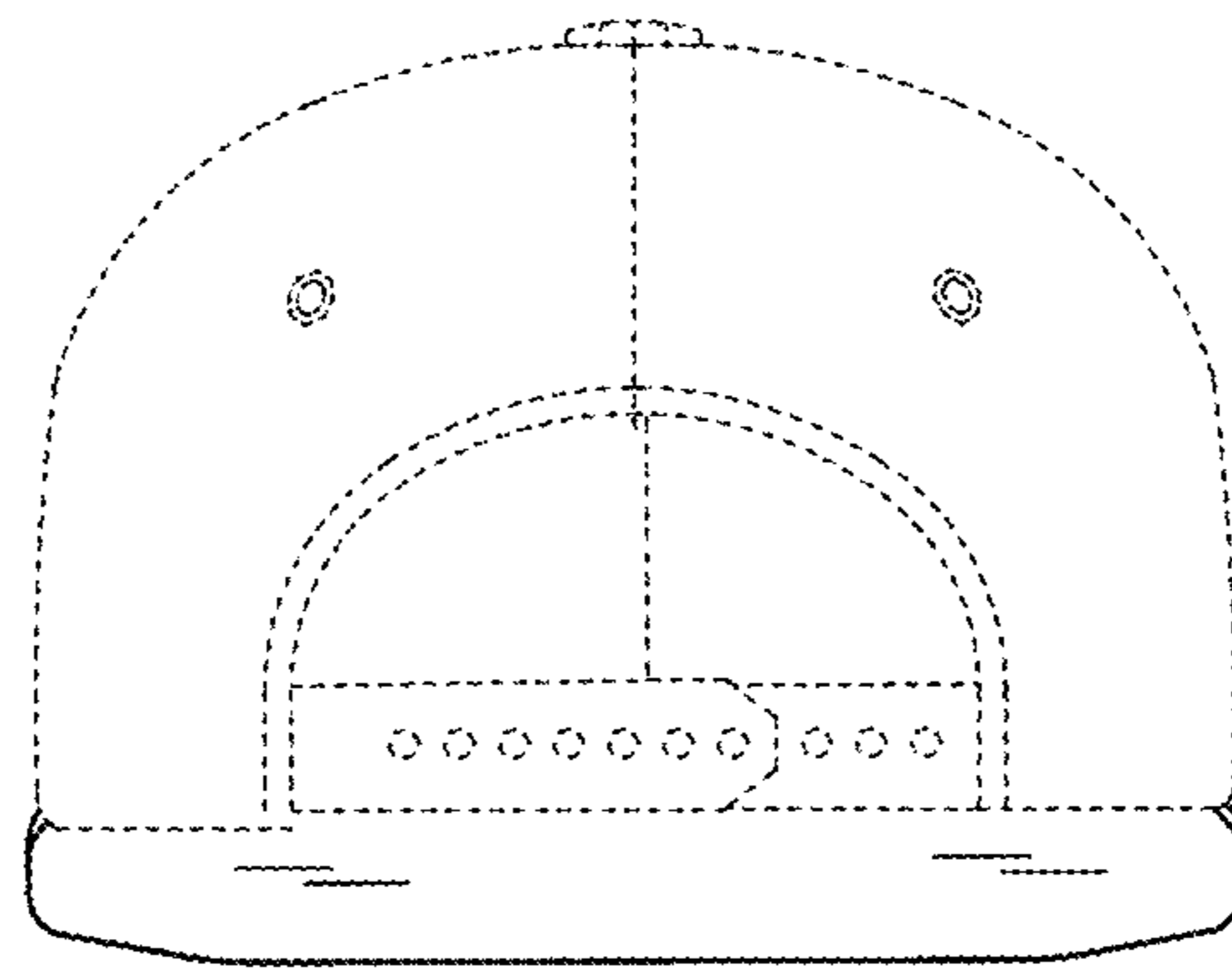


FIG. 6

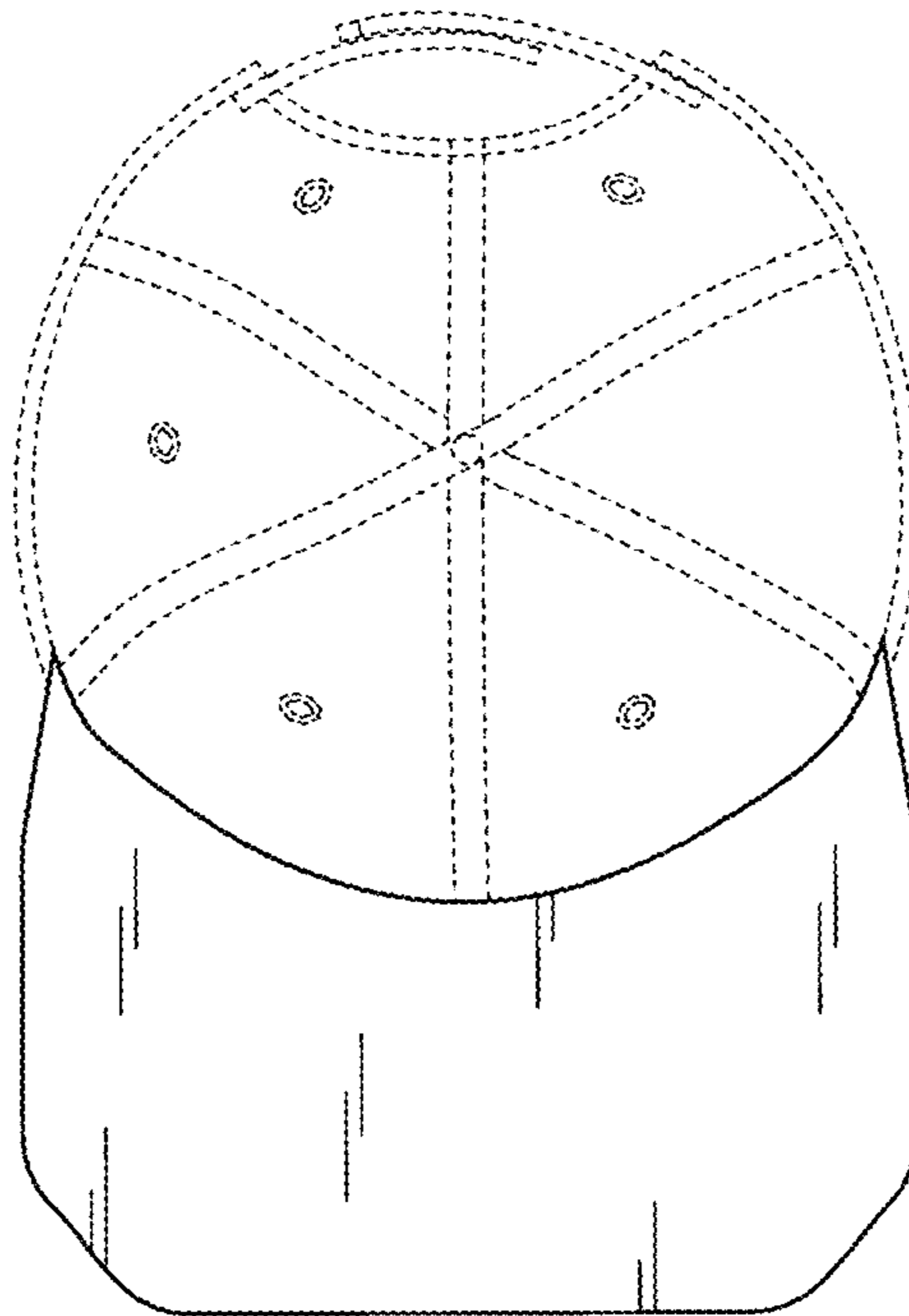


FIG. 7