

US00D806362S

(12) **United States Design Patent**
Elmore

(10) **Patent No.:** **US D806,362 S**
(45) **Date of Patent:** **** Jan. 2, 2018**

- (54) **TEMPERATURE MANAGEMENT DEVICE**
- (71) Applicant: **James R. Elmore**, Springdale, AR (US)
- (72) Inventor: **James R. Elmore**, Springdale, AR (US)
- (**) Term: **14 Years**
- (21) Appl. No.: **29/512,563**
- (22) Filed: **Dec. 19, 2014**
- (51) **LOC (11) Cl.** **02-02**
- (52) **U.S. Cl.**
USPC **D2/750; D29/101.3; D24/207; D24/206; D2/824**
- (58) **Field of Classification Search**
USPC **D2/728, 750, 823, 829, 830; D29/10, 11, D29/101.2, 101.3; D24/206, 189, 188**
CPC **A63B 71/12; A41D 27/26; A41D 13/0025; A41D 13/0058; A61F 7/02; A61F 7/0085**
See application file for complete search history.

- 5,606,746 A * 3/1997 Shelton A41D 13/0053
2/102
- 5,787,505 A * 8/1998 Piwko A41D 13/0051
2/115
- 5,970,519 A * 10/1999 Weber A41D 13/0025
2/102
- 6,060,408 A * 5/2000 Monica A63B 71/08
2/455
- D429,058 S * 8/2000 Derosier D2/823
- 6,125,645 A * 10/2000 Horn A41D 13/0056
2/458

(Continued)

Primary Examiner — Holly H Baynham
Assistant Examiner — Rashida C. Walshon
(74) *Attorney, Agent, or Firm* — Schrantz Law Firm, PLLC; Stephen D. Schrantz

(57) **CLAIM**

The ornamental design for a temperature management device, as shown and described.

(56) **References Cited**

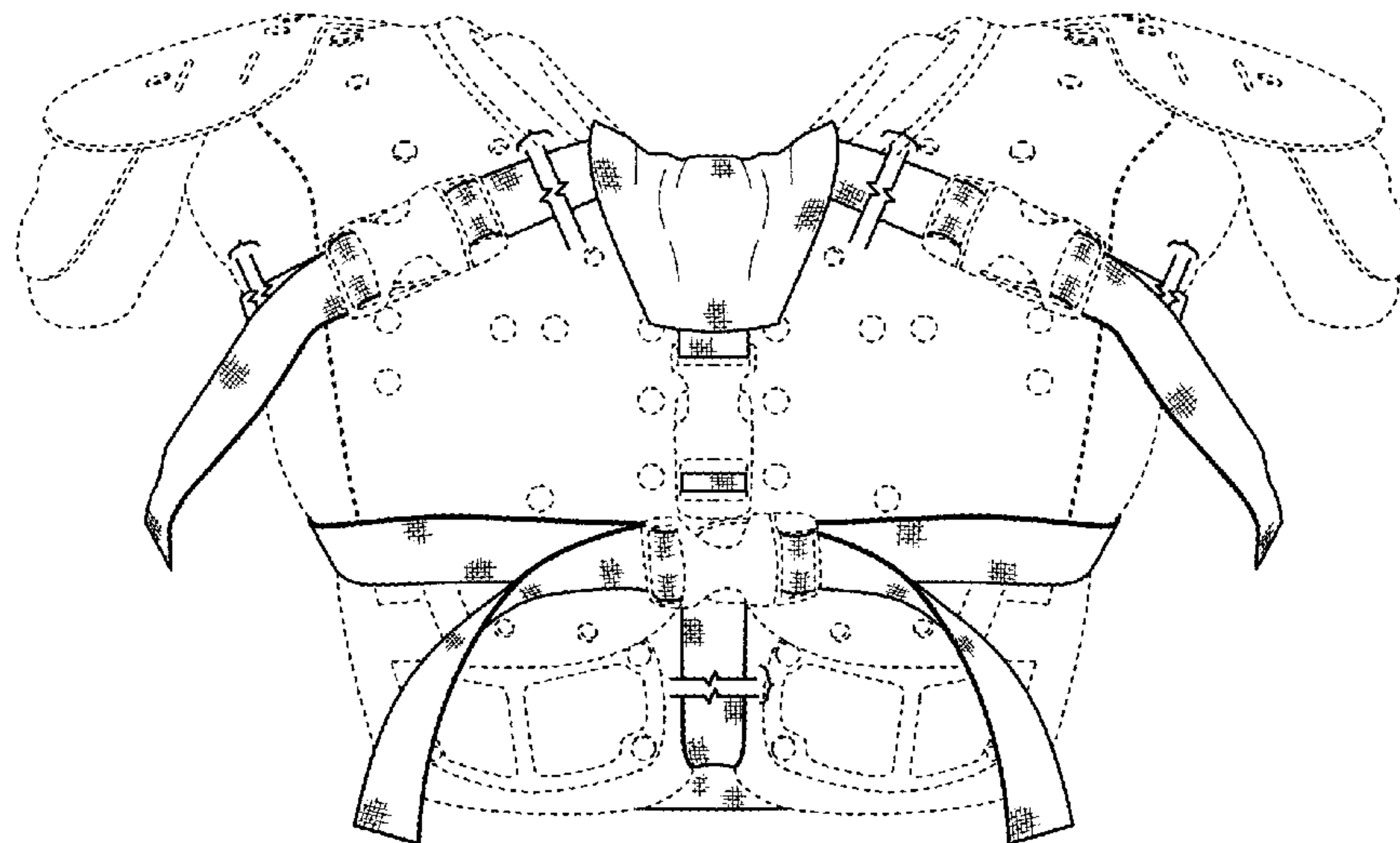
U.S. PATENT DOCUMENTS

- 745,007 A * 11/1903 Gamble A63B 71/12
2/462
- 3,125,865 A * 3/1964 Bemelman A41D 13/0053
2/171.1
- 4,805,619 A * 2/1989 Swearingen A61F 7/103
383/901
- 4,894,868 A * 1/1990 Christopher A41D 27/26
2/268
- D332,514 S * 1/1993 Brandoff D2/829
- 5,226,192 A * 7/1993 Jones A63B 71/12
2/267
- 5,305,471 A * 4/1994 Steele A41D 13/0058
2/102
- 5,319,806 A * 6/1994 Hermann A41D 13/0512
2/267
- D348,733 S * 7/1994 Truelove D24/206
- 5,390,368 A * 2/1995 Chang A63B 71/12
2/45

DESCRIPTION

FIG. 1 is a partial front environmental view showing my new design;
FIG. 2 is a rear environmental view showing my new design;
FIG. 3 is a front view showing my new design;
FIG. 4 is a top view thereof;
FIG. 5 is a bottom view thereof;
FIG. 6 is a rear view thereof;
FIG. 7 is a left side view thereof; and,
FIG. 8 is a right side view thereof.
The broken lines in FIGS. 1 and 2 illustrate unclaimed environment. Portions of the article in broken lines in FIGS. 3-8 are unclaimed subject matter and form no part thereof. The broken away symbols in the drawings indicate that any portion of the article beyond what is shown forms no part of the claimed design.

1 Claim, 4 Drawing Sheets



(56)

References Cited

U.S. PATENT DOCUMENTS

6,238,427 B1 *	5/2001	Matta	A61F 7/02	607/104
6,473,910 B2 *	11/2002	Creagan	A41D 13/0056	2/102
6,484,325 B1 *	11/2002	Lazarus	A41D 13/015	2/462
6,551,347 B1 *	4/2003	Elkins	A61F 7/0085	165/46
6,842,915 B2 *	1/2005	Turner	A41D 13/05	2/459
6,991,343 B2 *	1/2006	Langley	A41D 13/01	2/462
7,120,938 B2 *	10/2006	Ichigaya	A41D 13/0025	2/272
7,698,905 B1 *	4/2010	Carpenter	A61F 7/02	62/259.3
D623,382 S *	9/2010	Hodgson	D2/829	
7,874,022 B2 *	1/2011	McQueer	A41D 13/0015	2/461
8,015,618 B2 *	9/2011	Paull	A41D 13/0053	2/69
D650,085 S *	12/2011	Rucker	D24/207	
8,082,602 B2 *	12/2011	Crelinsten	A41D 13/05	2/267
8,266,727 B2 *	9/2012	Lee	A41D 13/05	2/461
8,800,311 B2 *	8/2014	Raines	A61F 7/10	62/259.3
2004/0128747 A1 *	7/2004	Bumbarger	A41D 13/0053	2/458
2005/0086728 A1 *	4/2005	Tobergte	A63B 71/12	2/459
2007/0044503 A1 *	3/2007	McCarrell	F24F 5/0017	62/420
2007/0151004 A1 *	7/2007	Brassill	A63B 71/12	2/461
2008/0315014 A1 *	12/2008	Spurlin	B62J 33/00	239/289
2010/0084125 A1 *	4/2010	Goldstein	F17C 11/00	165/287

* cited by examiner

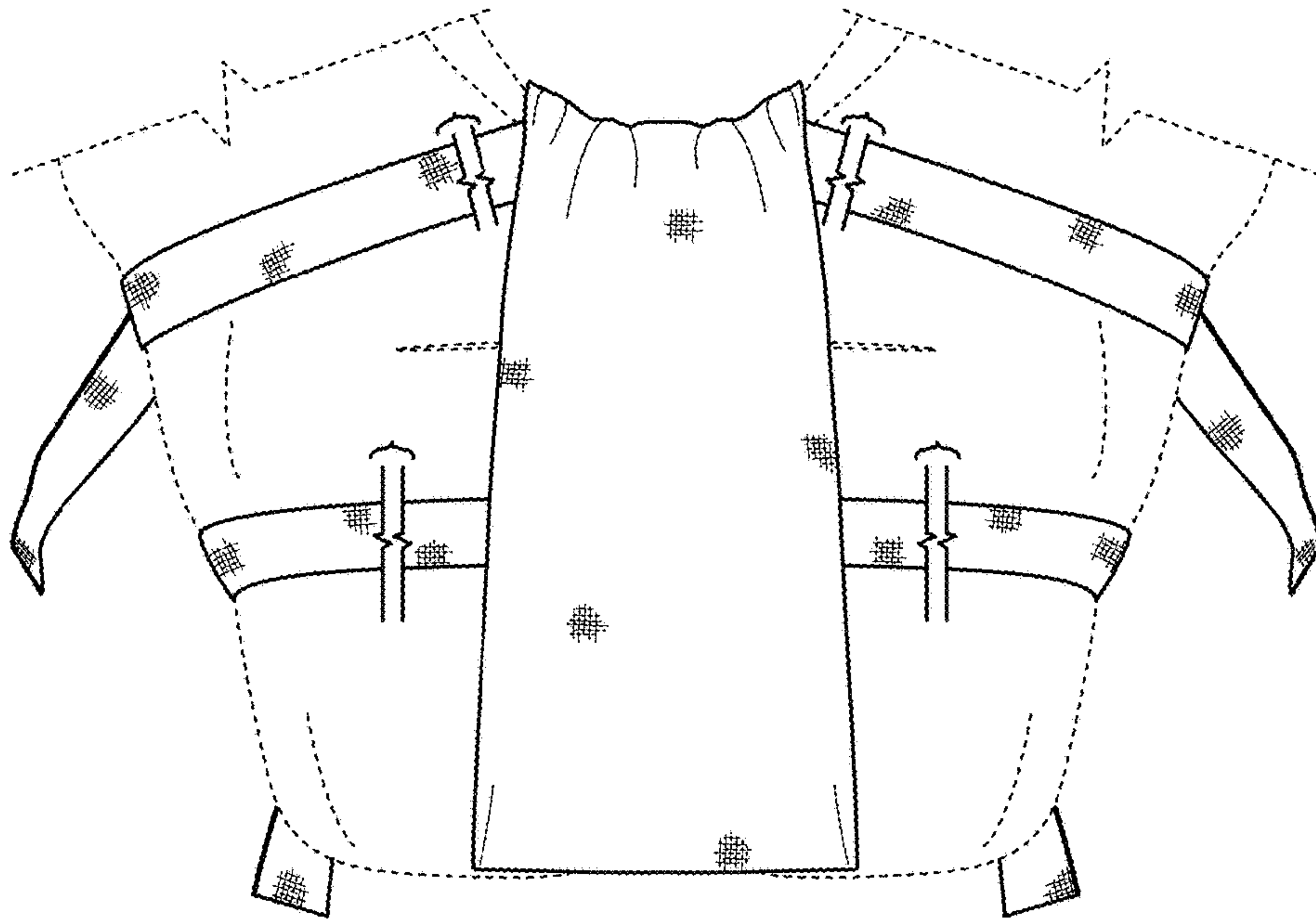


FIG. 1

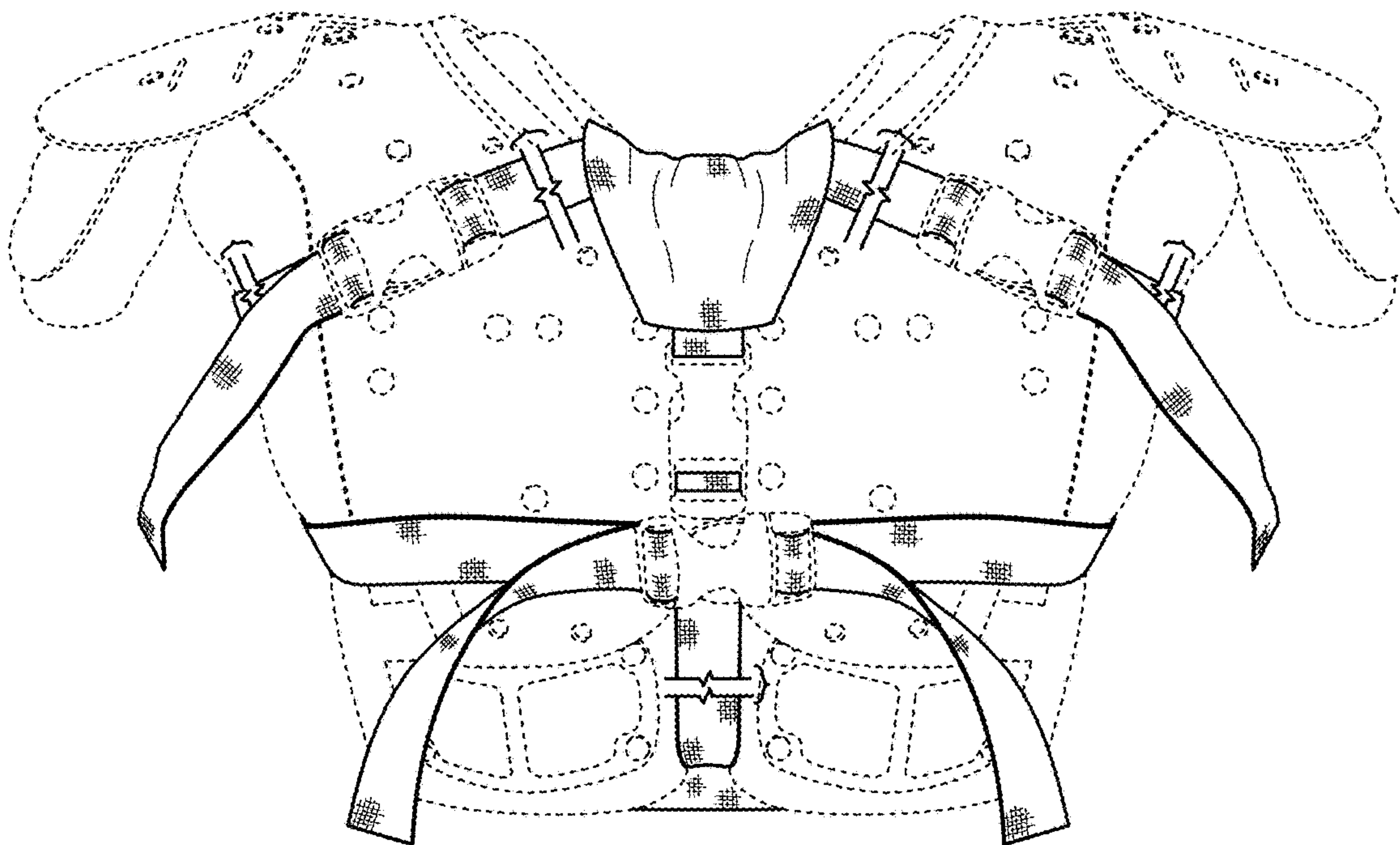


FIG. 2

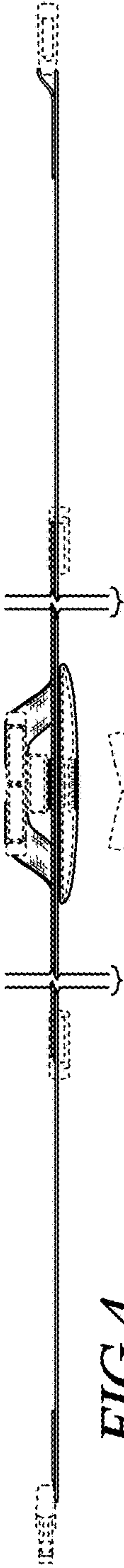


FIG. 4

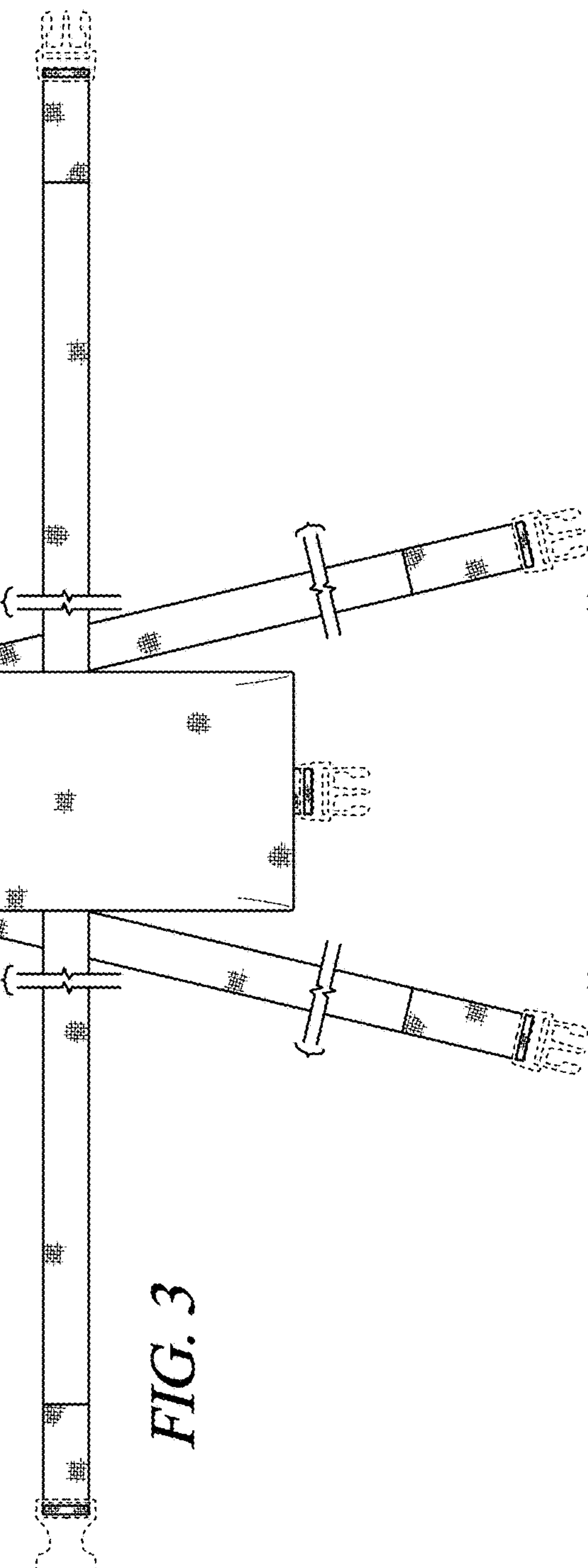


FIG. 3

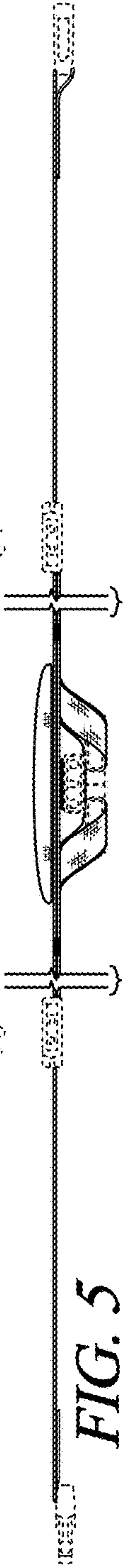


FIG. 5

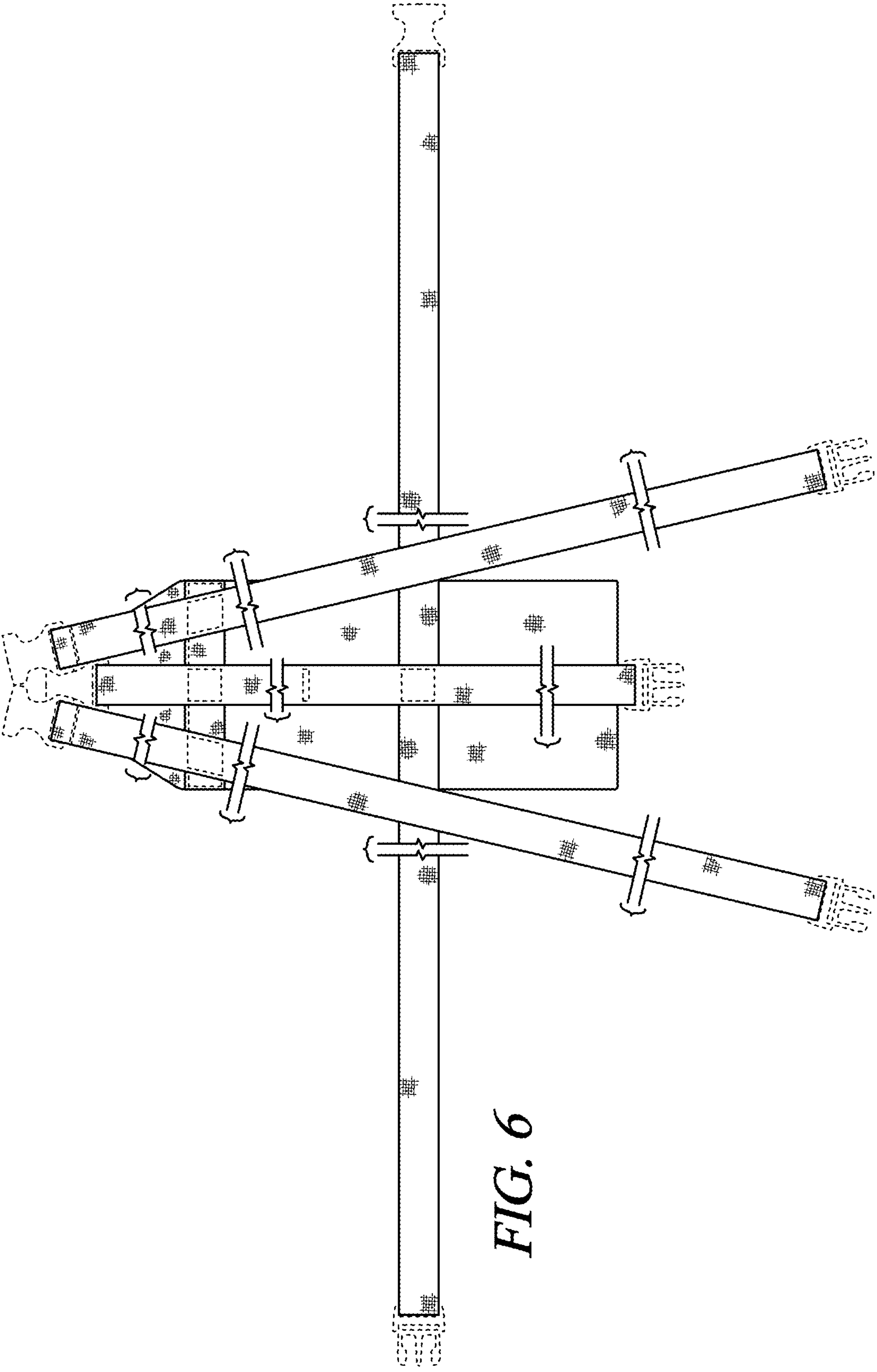


FIG. 6

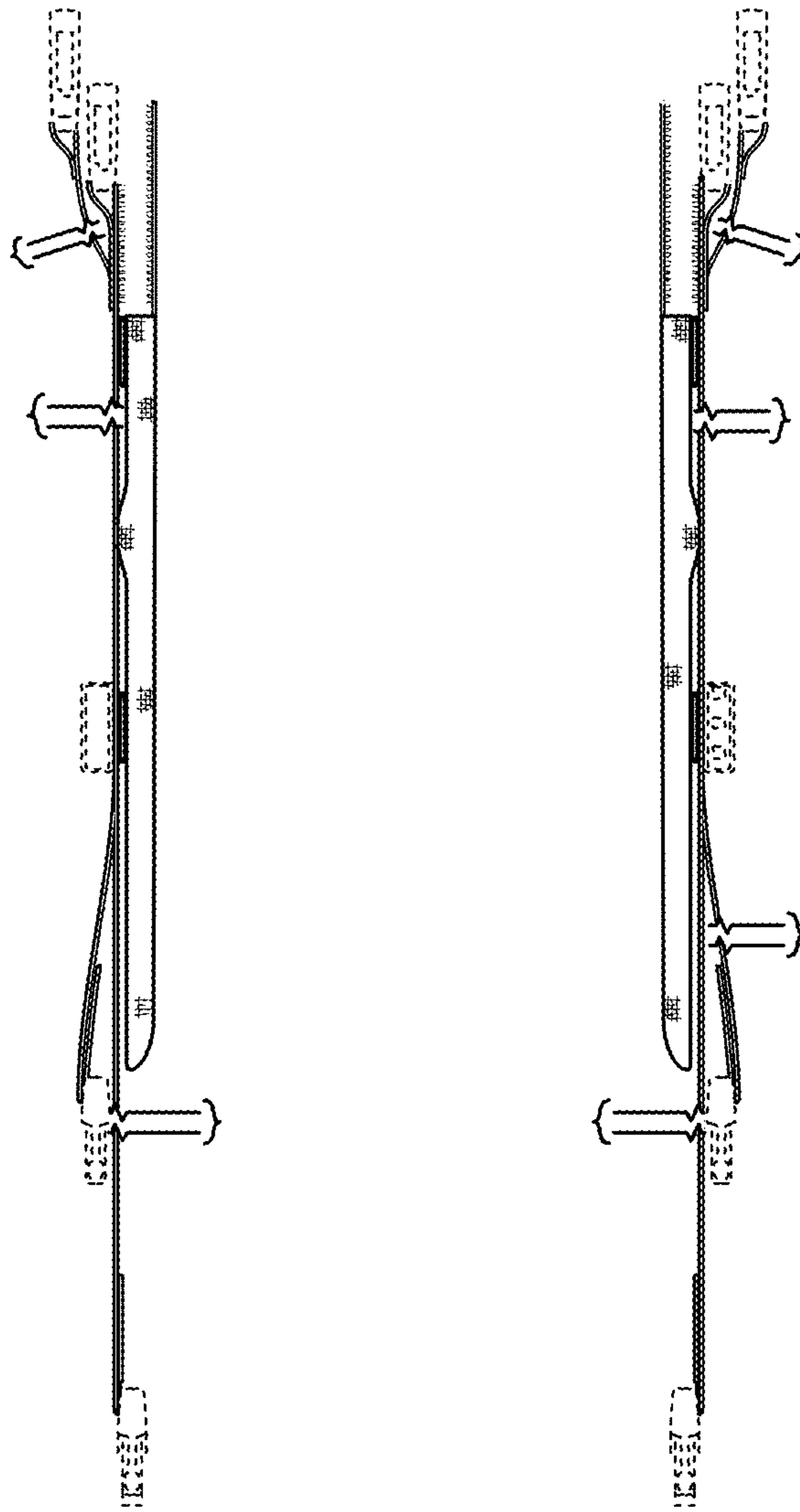


FIG. 7

FIG. 8