



US00D806347S

(12) **United States Design Patent** (10) **Patent No.:** **US D806,347 S**  
**Tyler** (45) **Date of Patent:** **\*\* Dec. 26, 2017**

(54) **CHAIN LINK**  
(71) Applicant: **Clyde Bergemann Australia Pty Limited**, Wetherill Park, NSW (AU)  
(72) Inventor: **Philip William Tyler**, Leumeah (AU)  
(73) Assignee: **Clyde Bergemann Australia Pty Limited** (AU)  
(\*\*) Term: **15 Years**  
(21) Appl. No.: **29/567,473**  
(22) Filed: **Jun. 9, 2016**  
(51) **LOC (10) Cl.** ..... **12-05**  
(52) **U.S. Cl.**  
USPC ..... **D34/35**  
(58) **Field of Classification Search**  
USPC ..... D34/28, 29, 35; 198/850, 852, 853, 848,  
198/849, 851; D8/395, 396, 499;  
452/169, 177, 184; 59/78, 80, 84, 85, 88,  
59/90  
CPC ..... F16G 15/12; F16G 13/18  
See application file for complete search history.

(56) **References Cited**  
U.S. PATENT DOCUMENTS  
4,473,365 A \* 9/1984 Lapeyre ..... B65G 17/08  
198/850  
4,597,747 A \* 7/1986 Lapeyre ..... B65G 17/08  
198/853  
D289,497 S \* 4/1987 Schroeder ..... D34/29  
D289,607 S \* 5/1987 Schroeder ..... D34/29  
D289,608 S \* 5/1987 Schroeder ..... D34/29  
4,815,270 A \* 3/1989 Lapeyre ..... B65G 17/08  
198/853  
4,815,271 A \* 3/1989 Lapeyre ..... B65G 17/08  
198/853  
4,882,901 A \* 11/1989 Lapeyre ..... B65G 17/08  
198/853

D332,213 S \* 1/1993 Woyach ..... D8/499  
RE34,688 E \* 8/1994 Lapeyre ..... B65G 17/08  
198/853  
5,362,282 A \* 11/1994 Lickton ..... F16G 15/02  
59/85

(Continued)

**OTHER PUBLICATIONS**

Clyde Bergemann Australia Pty Ltd., 210 Dividing Block—Technical Drawings, Jan. 2013 and Jul. 2015 (three pages).

*Primary Examiner* — Cynthia Ramirez  
*Assistant Examiner* — Michael Maharajh  
(74) *Attorney, Agent, or Firm* — Morriss O’Bryant Compagni

**CLAIM**

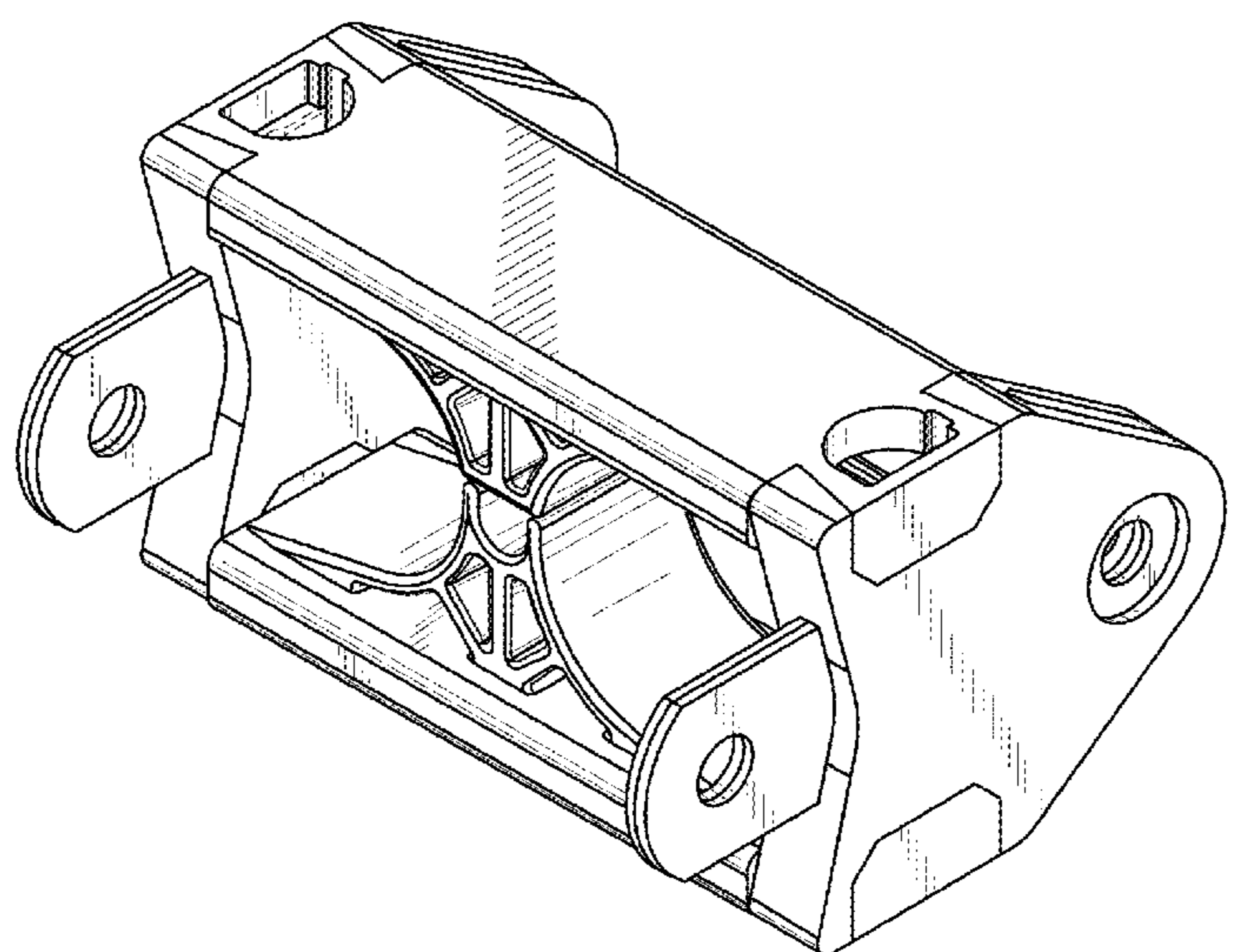
(57) The ornamental design for a chain link, as shown and described.

**DESCRIPTION**

FIG. 1 is a perspective view of the first side of the chain link, showing my new design;  
FIG. 2 is a perspective view of the opposing side of the chain link that is shown in FIG. 1;  
FIG. 3 is a view in elevation of the first side of the chain link as shown in FIG. 1;  
FIG. 4 is view in elevation of the opposing side of the chain link as shown in FIG. 2;  
FIG. 5 is a view in elevation, representative of both opposing ends of the chain link;  
FIG. 6 is a plan view, representative of both the top view and bottom view of the chain link as shown in FIGS. 1 and 2; and,  
FIG. 7 is an exploded perspective view of the components that, when fit together, form the chain link as depicted in FIG. 2.

The broken lines shown in the figures are for the purpose of illustrating portions of the chain link and form no part of the claimed design.

**1 Claim, 4 Drawing Sheets**



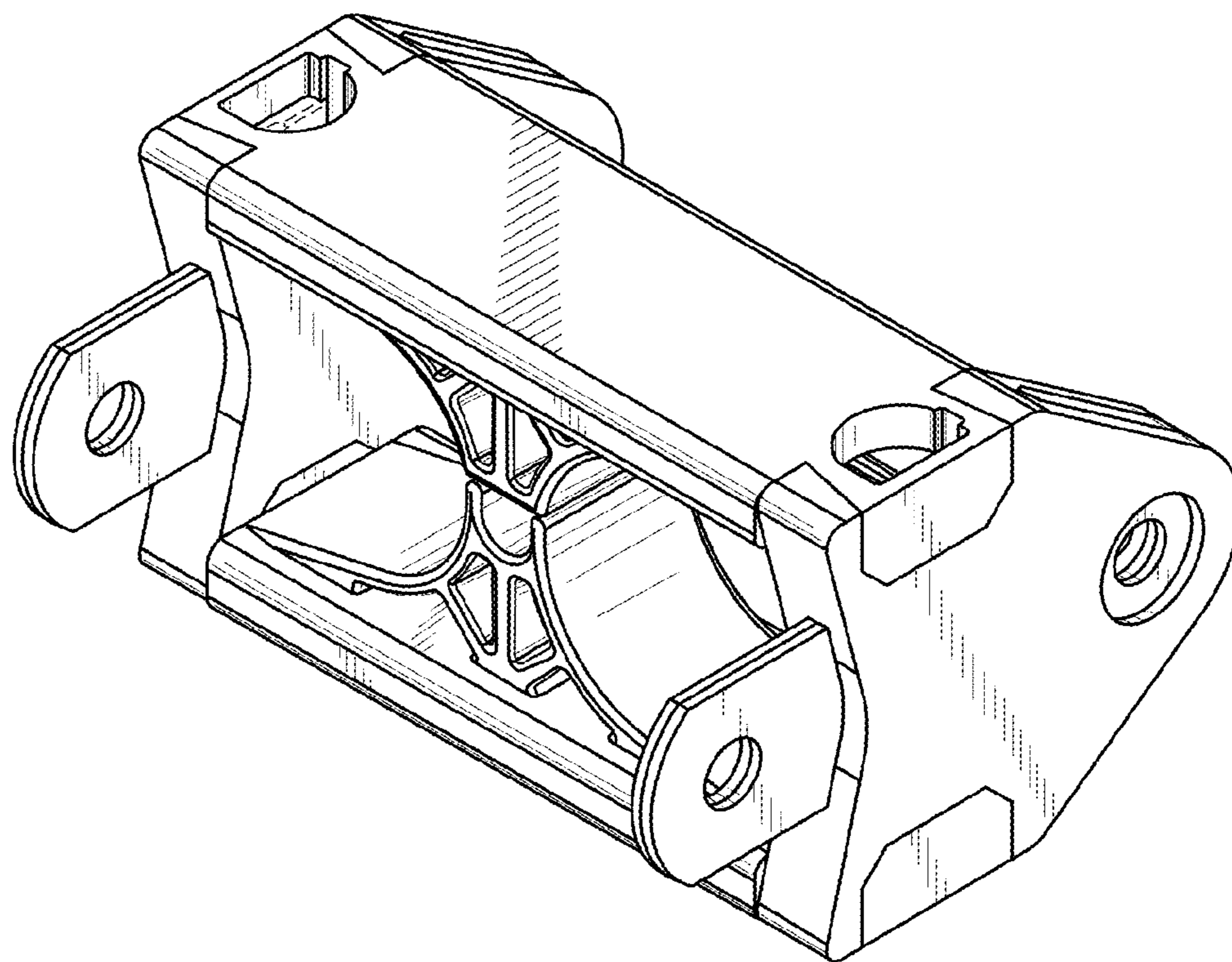
(56)

**References Cited**

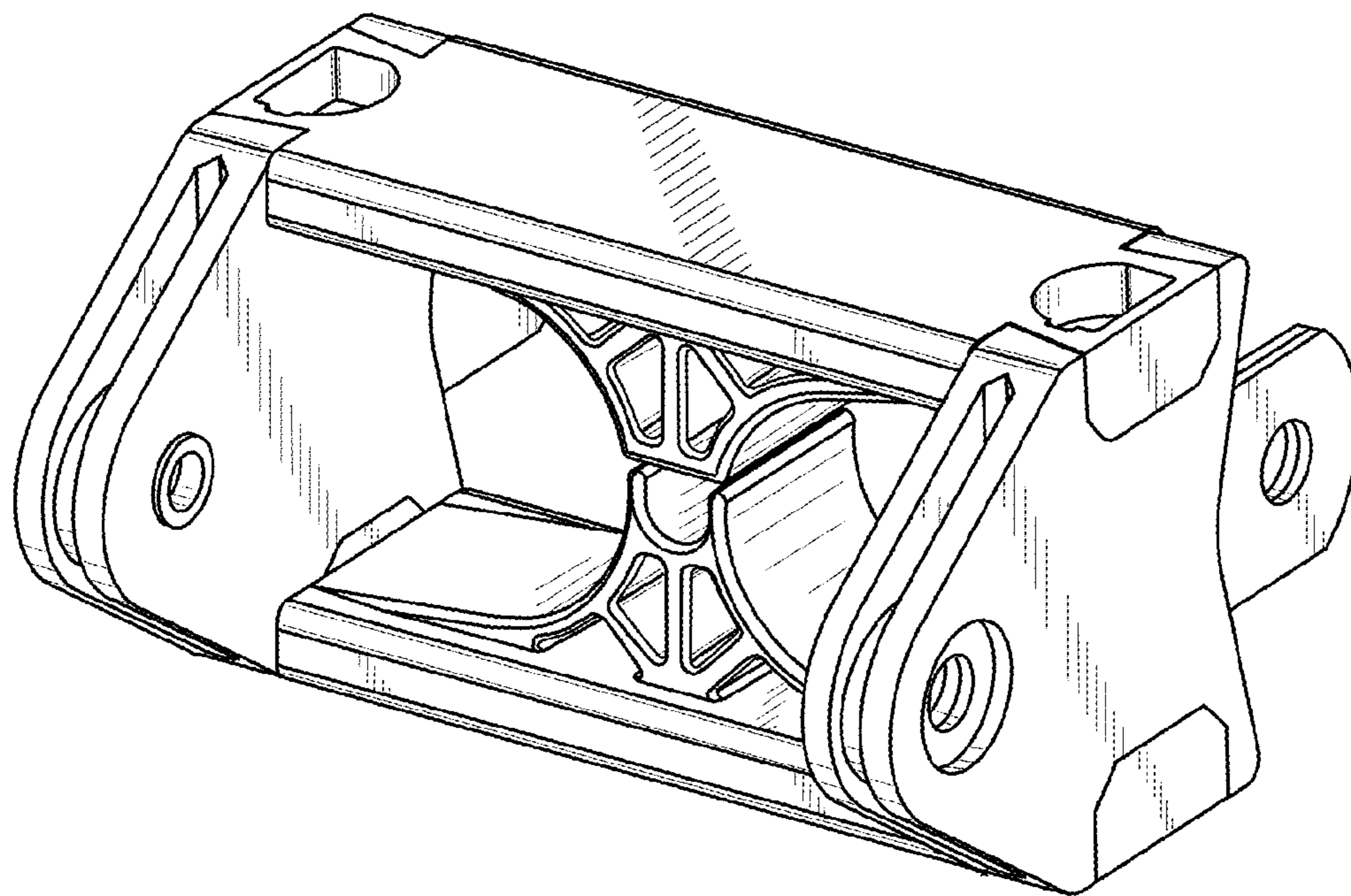
U.S. PATENT DOCUMENTS

6,065,278	A *	5/2000	Weber .....	H02G 11/006 59/78.1
D439,389	S *	3/2001	Simkowski .....	D34/29
6,789,383	B1	9/2004	Plush et al.	
2002/0112941	A1 *	8/2002	Roberson .....	B27B 31/006 198/851

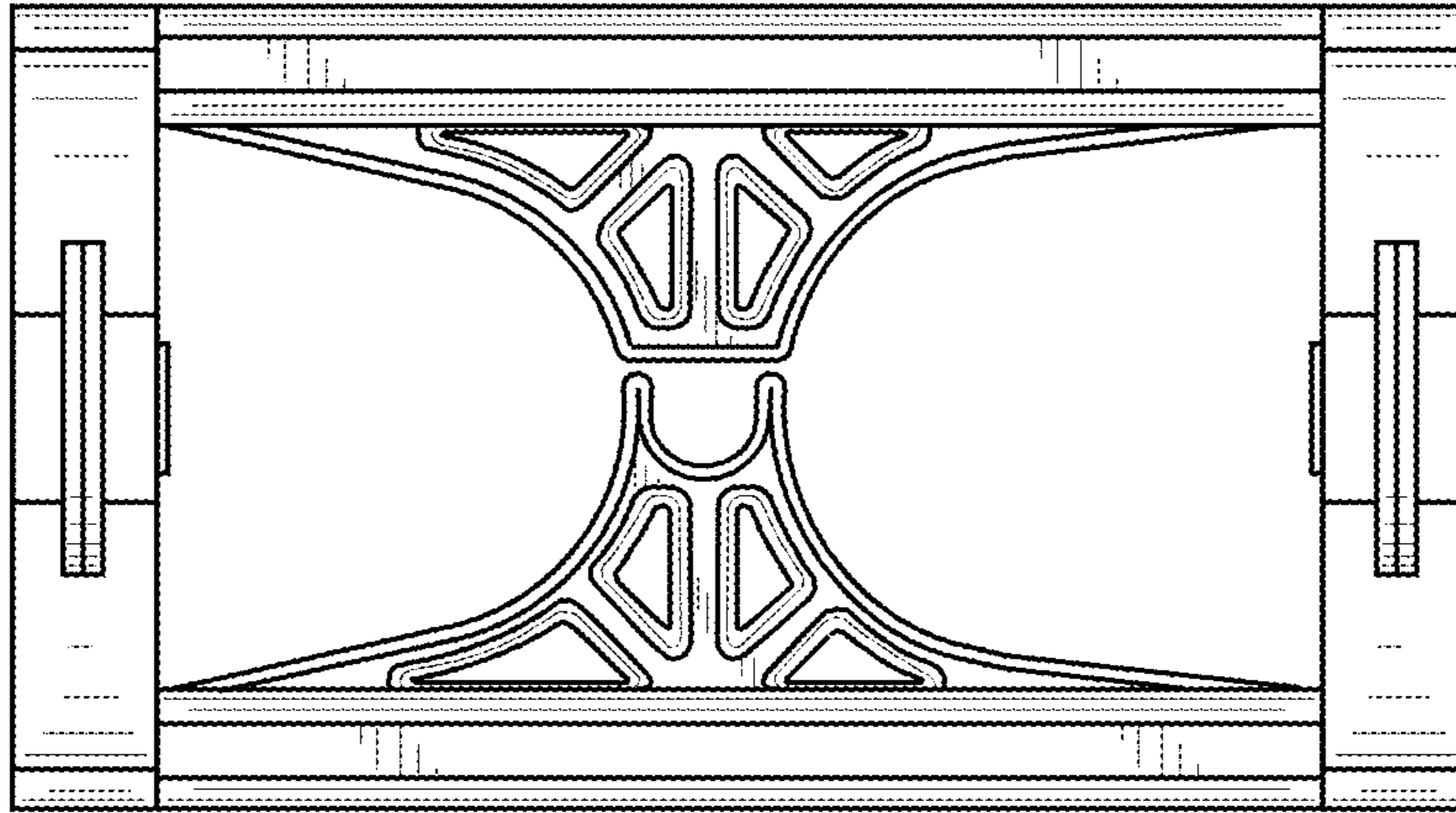
\* cited by examiner



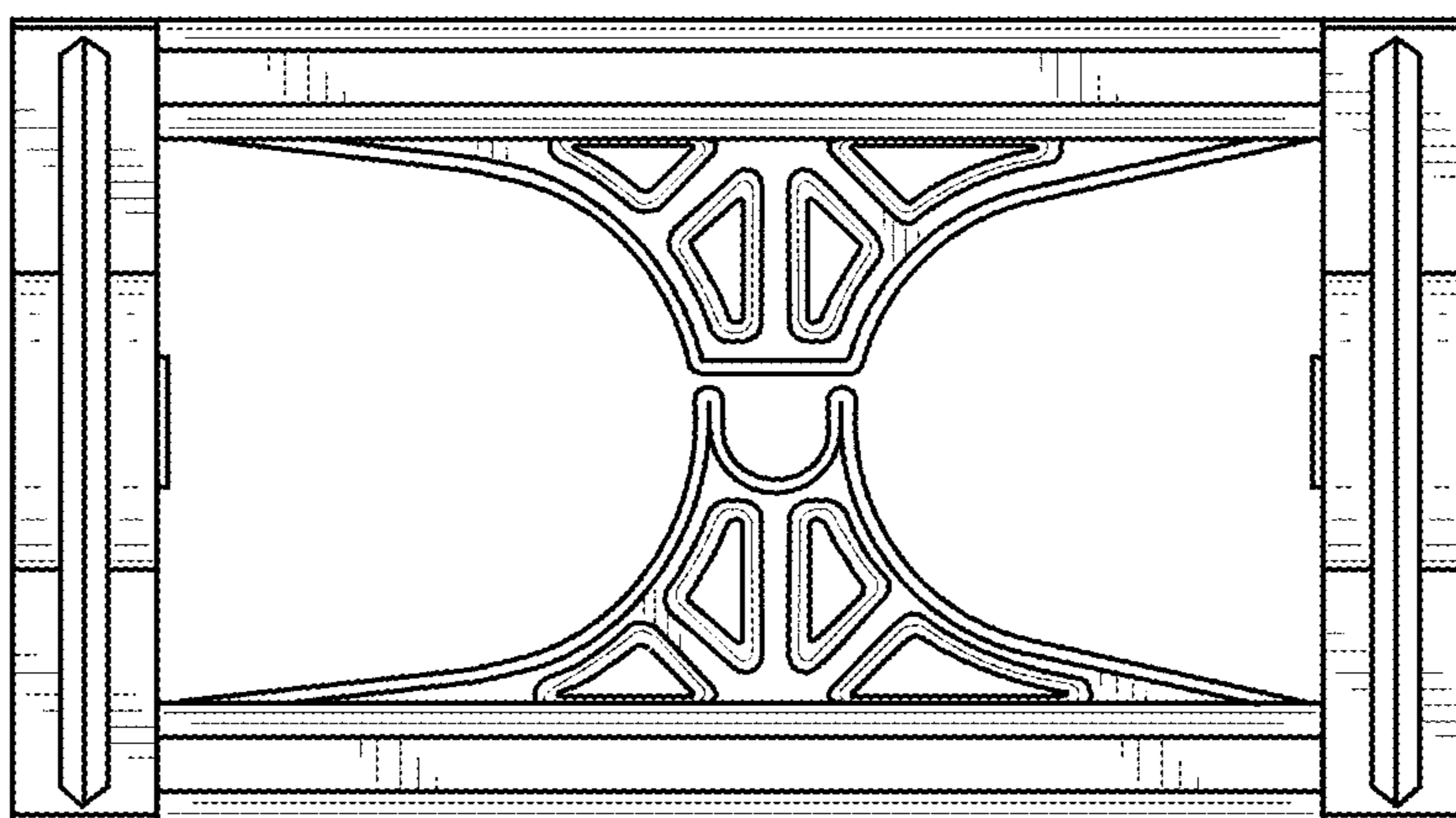
**FIG. 1**



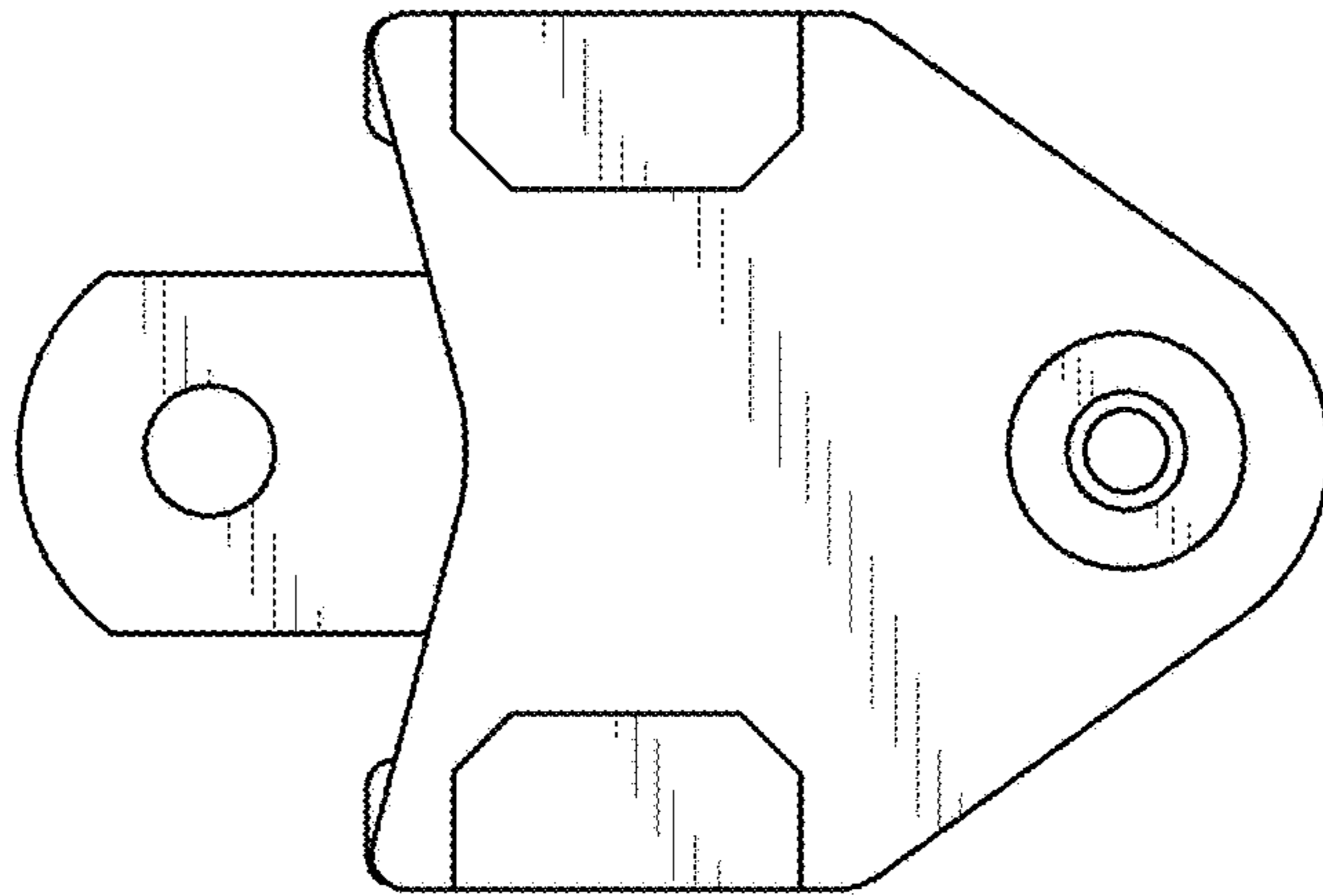
**FIG. 2**



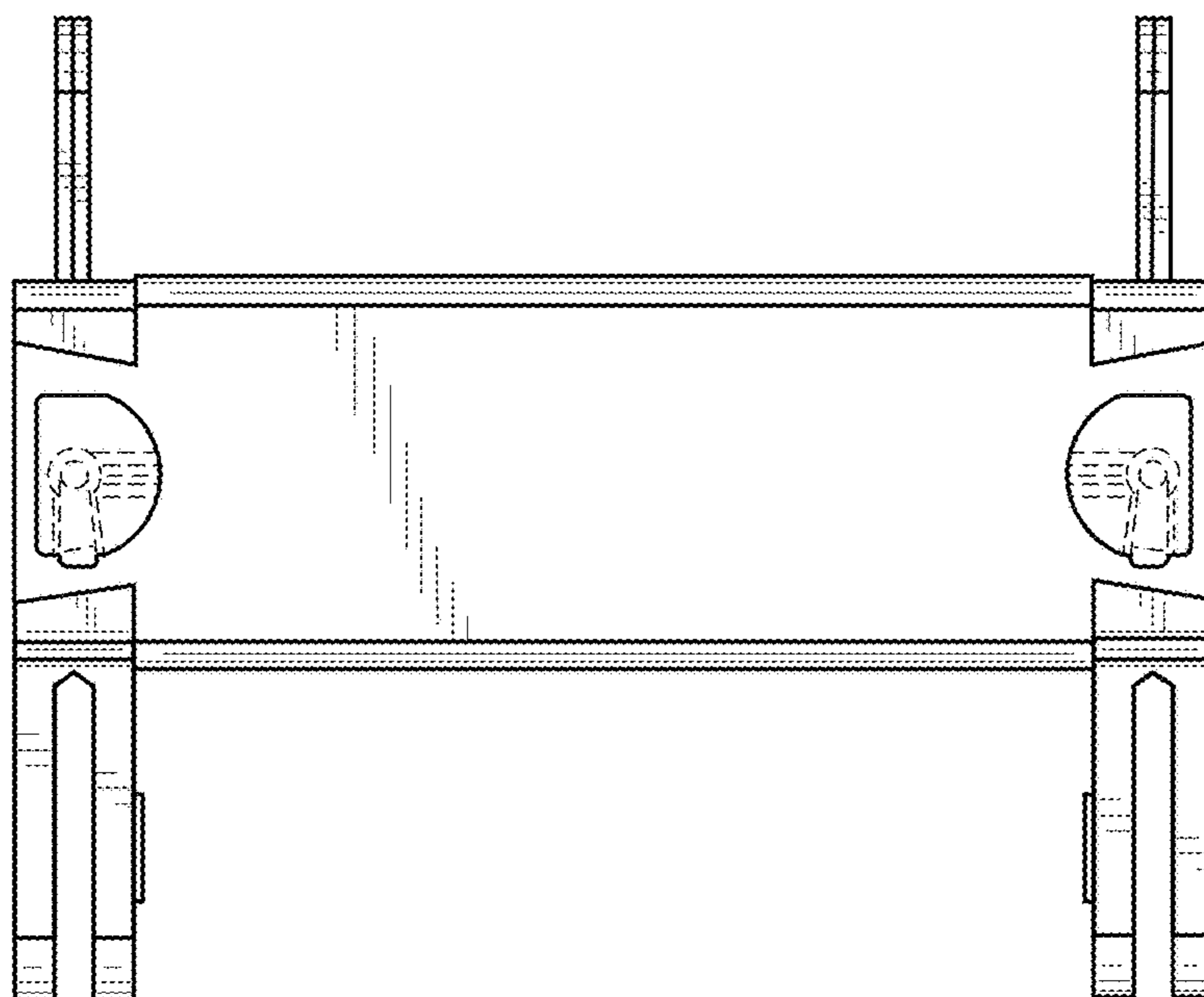
**FIG. 3**



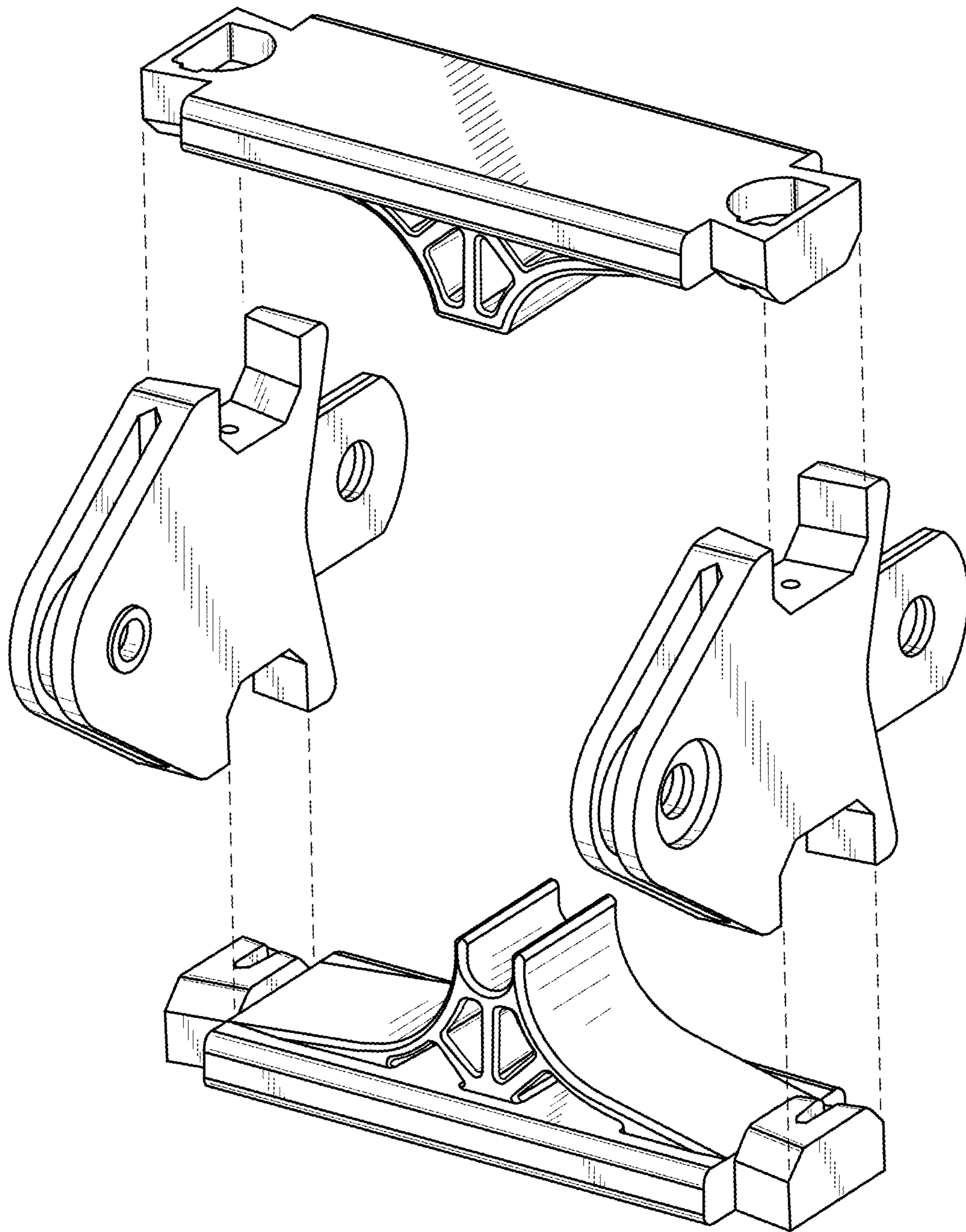
**FIG. 4**



**FIG. 5**



**FIG. 6**



**FIG. 7**