



US00D806346S

(12) **United States Design Patent** (10) **Patent No.:** **US D806,346 S**
Niebuhr (45) **Date of Patent:** **** Dec. 26, 2017**

(54) **FORK LIFT TRUCK**

OTHER PUBLICATIONS

(75) Inventor: **Michael Niebuhr**, Bargteheide (DE)

Brochure: CROWN, RR 5200 Series, Narrow Aisle Reach Truck, Rev. Mar. 2003, 6 pg.

(73) Assignee: **Jungheinrich Aktiengesellschaft**, Hamburg (DE)

Brochure: CROWN 1987.

Brochure: 36 Volt Electric Reach Trucks, Mitsubishi Fork Lift Trucks, 17 pg, Dec. 2003.

(**) Term: **14 Years**

Brochure: Raymond Above And Beyond, 2004.

NR3000 Series Reach Trucks, CAT Lift Trucks, Caterpillar, Copyright 2003.

(21) Appl. No.: **29/256,422**

Clark NPR 2005 Narrow Aisle Reach and Straddle Trucks, North America Worldwide Headquarters, Lexington, KY, 2005.

(22) Filed: **Mar. 20, 2006**

(51) **LOC (10) Cl.** **12-05**

* cited by examiner

(52) **U.S. Cl.**
USPC **D34/34**

Primary Examiner — Cynthia Ramirez

(58) **Field of Classification Search**
USPC D34/34; D12/14, 15, 93, 94; 280/402;
180/89.12; 414/679, 81.4, 94, 680;
187/222, 224

(74) *Attorney, Agent, or Firm* — Vidas Arrett & Steinkraus

See application file for complete search history.

(57) **CLAIM**

The ornamental design for a fork lift truck, as shown and described.

(56) **References Cited**

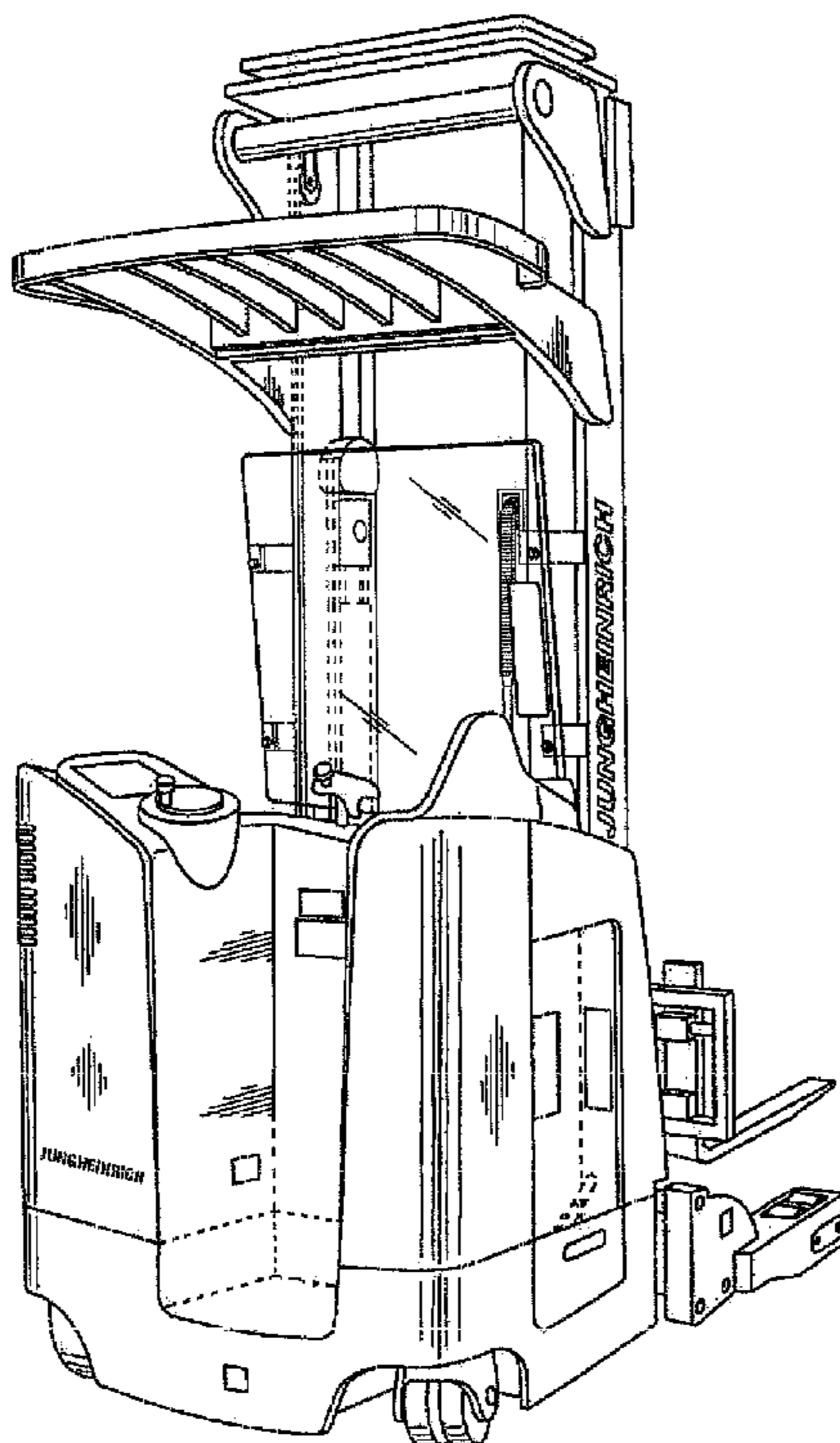
DESCRIPTION

U.S. PATENT DOCUMENTS

D222,694 S *	12/1971	Goodacre	D34/34
5,297,645 A *	3/1994	Eckersley et al.	180/68.5
D358,925 S *	5/1995	Chung et al.	D34/34
D379,020 S *	4/1997	Avitan	D34/34
D407,176 S *	3/1999	Henshaw et al.	D34/34
D407,177 S *	3/1999	Henshaw et al.	D34/34
5,890,562 A *	4/1999	Bartels et al.	187/224
6,089,353 A *	7/2000	Bartels et al.	187/224
D440,373 S *	4/2001	Meinhardt	D34/34
D480,858 S *	10/2003	Sellar	D34/34
D526,108 S *	8/2006	Gallagher et al.	D34/34

FIG. 1 shows an embodiment of a fork lift truck in a perspective view from the rear and the right side; FIG. 2 shows the inventive fork lift truck from the rear side; FIG. 3 shows the inventive fork lift truck from the front side; FIG. 4 shows the inventive fork lift truck from the rear and left side; FIG. 5 shows the inventive fork lift truck from the left side; and, FIG. 6 shows the inventive fork lift truck from the right side.

1 Claim, 6 Drawing Sheets



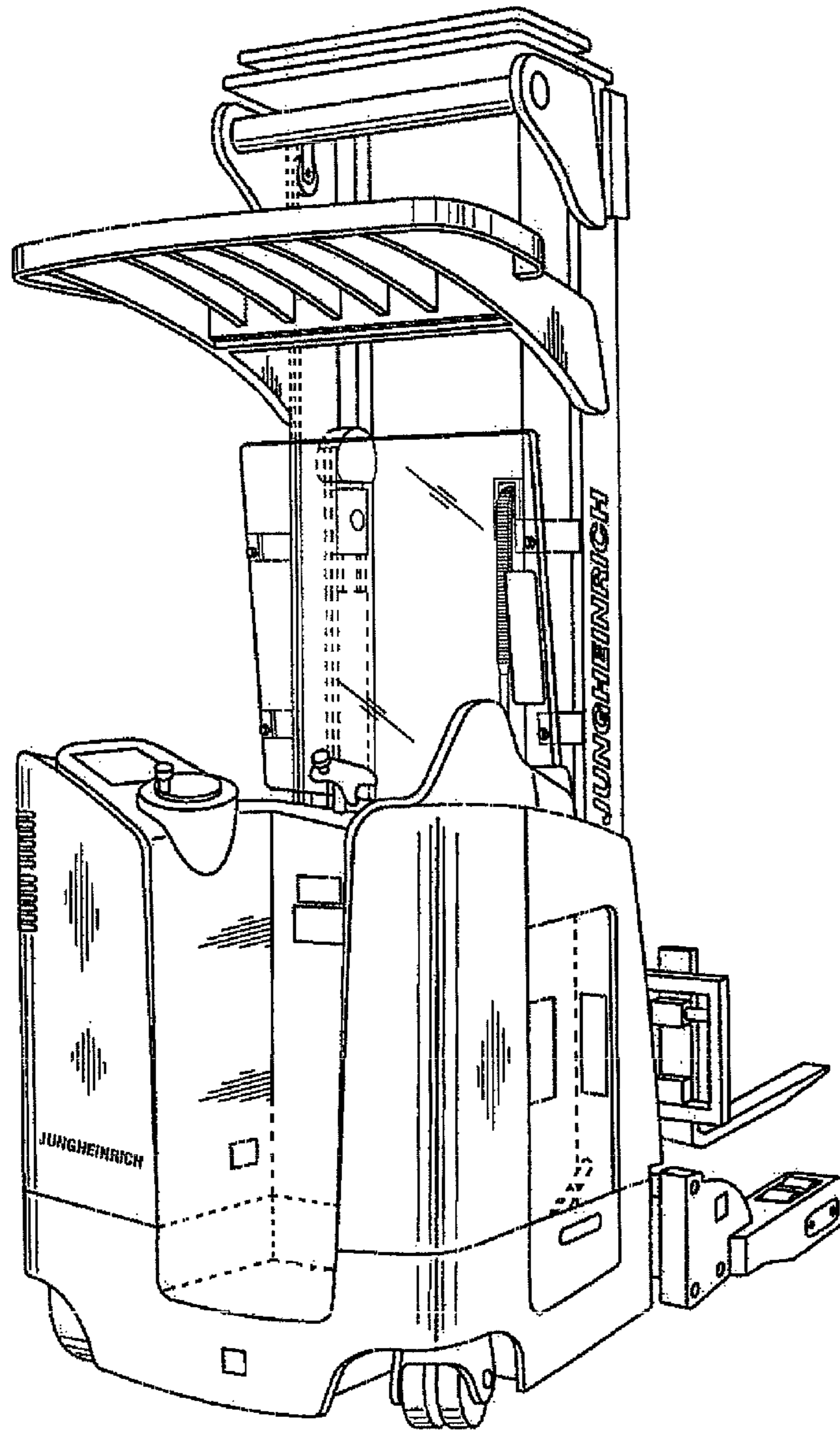


FIG. 1

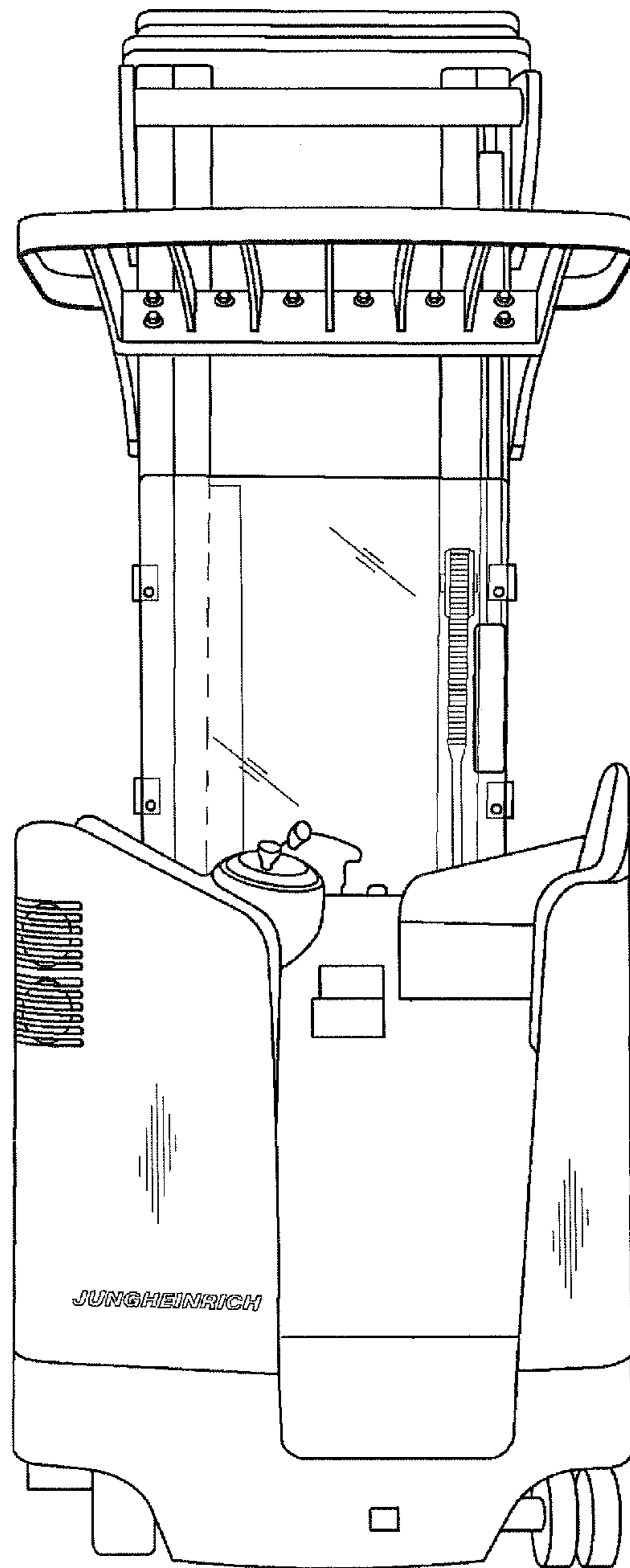


FIG. 2

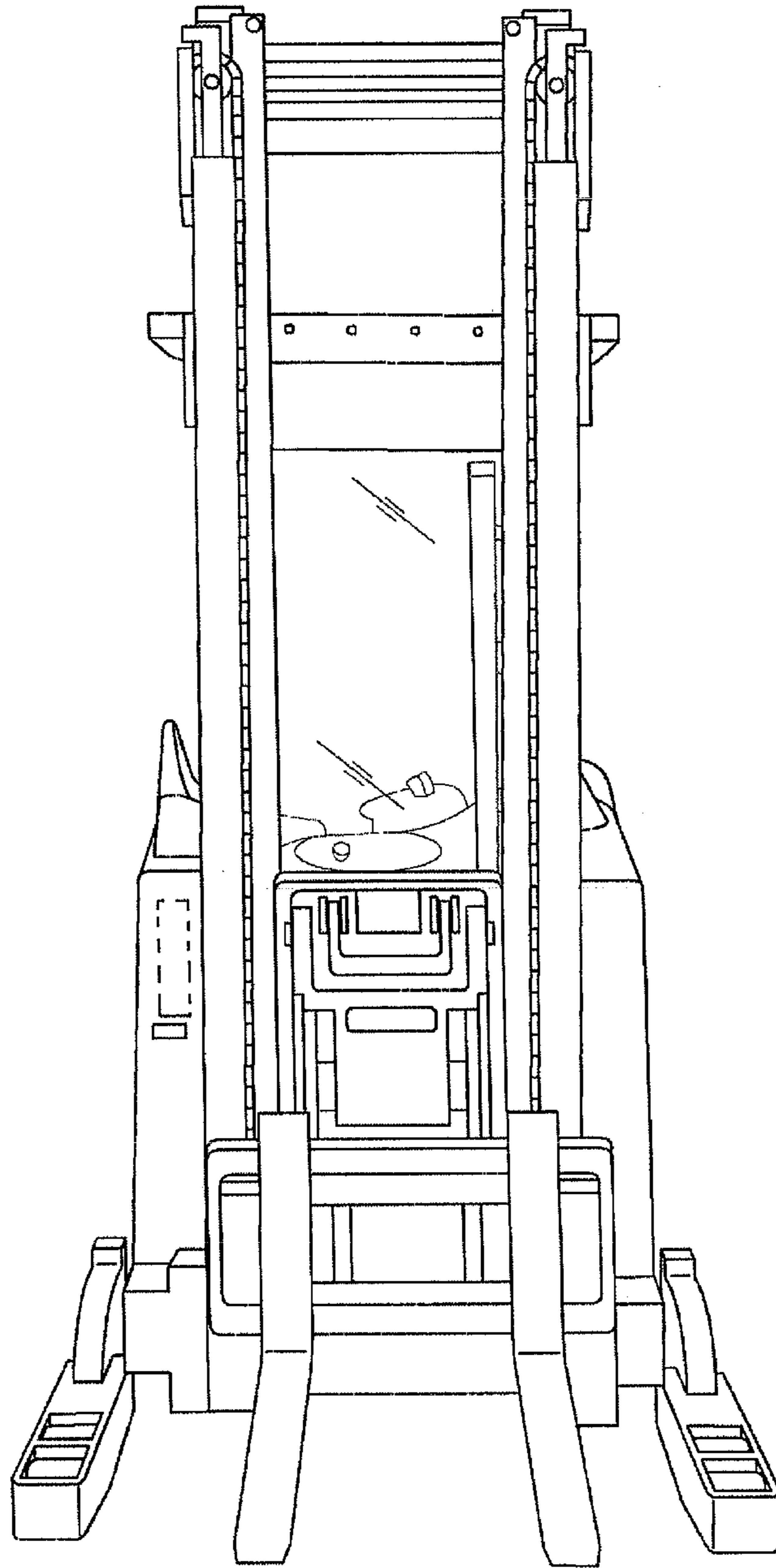


FIG. 3

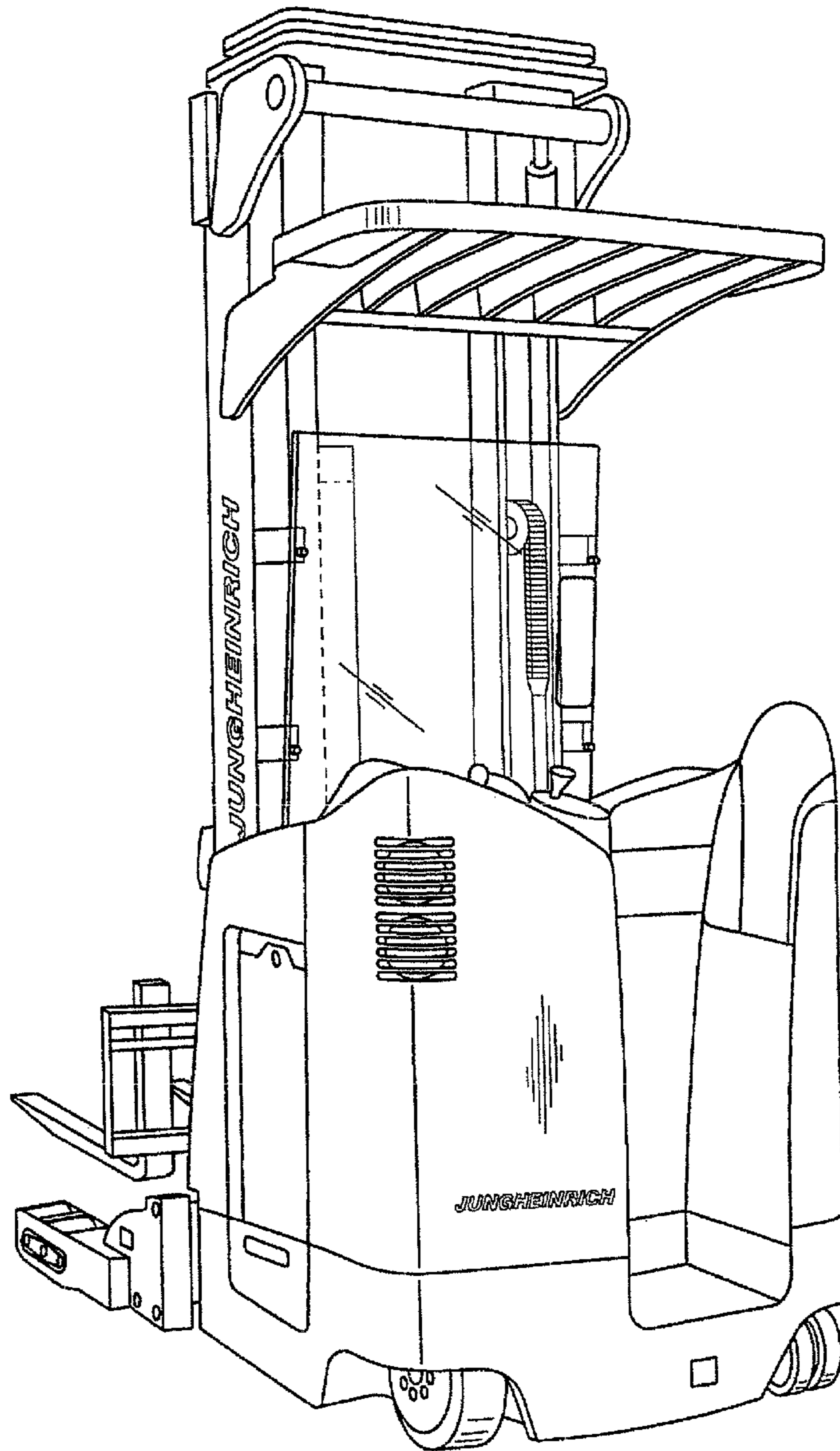


FIG. 4

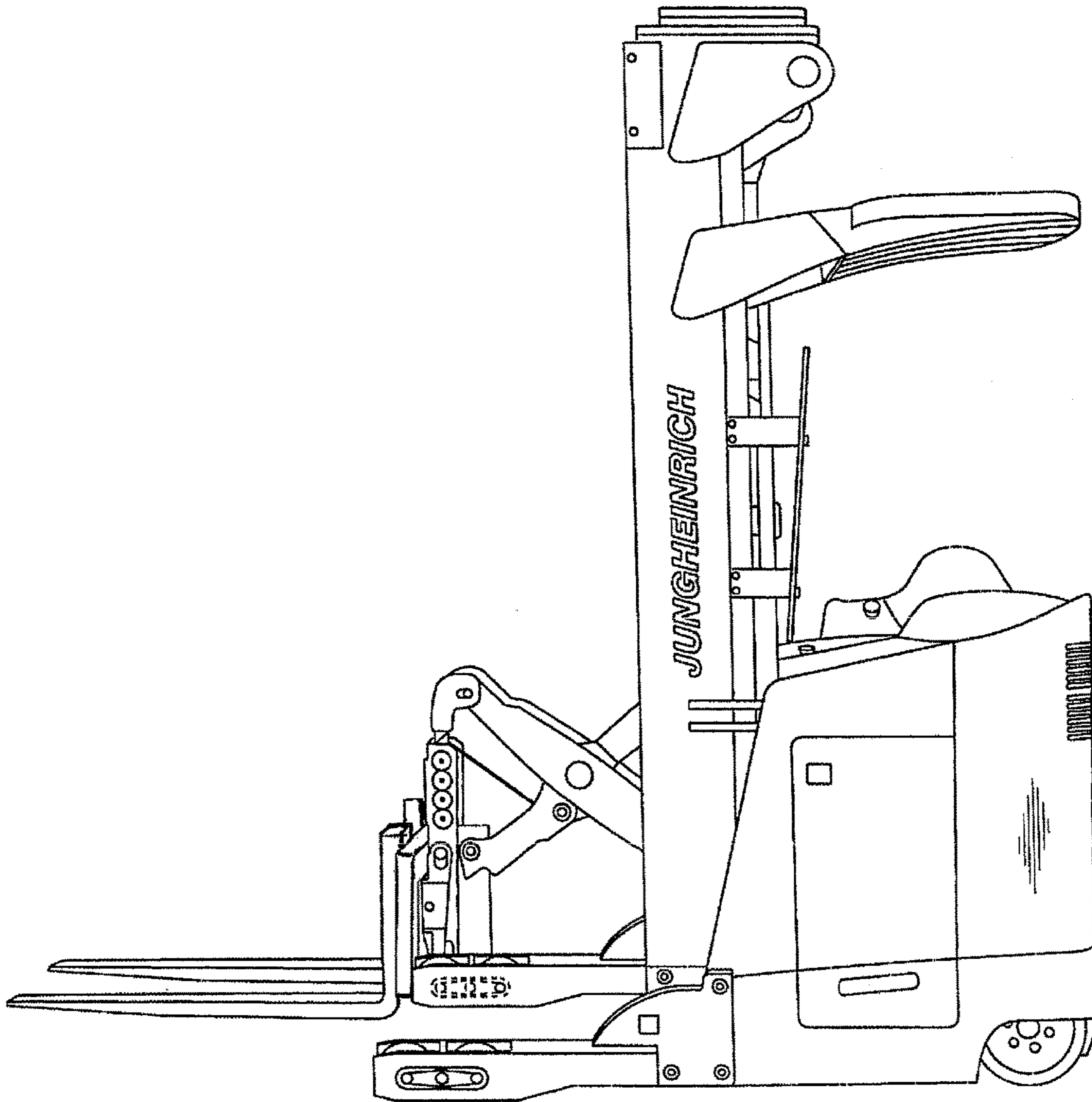


FIG. 5

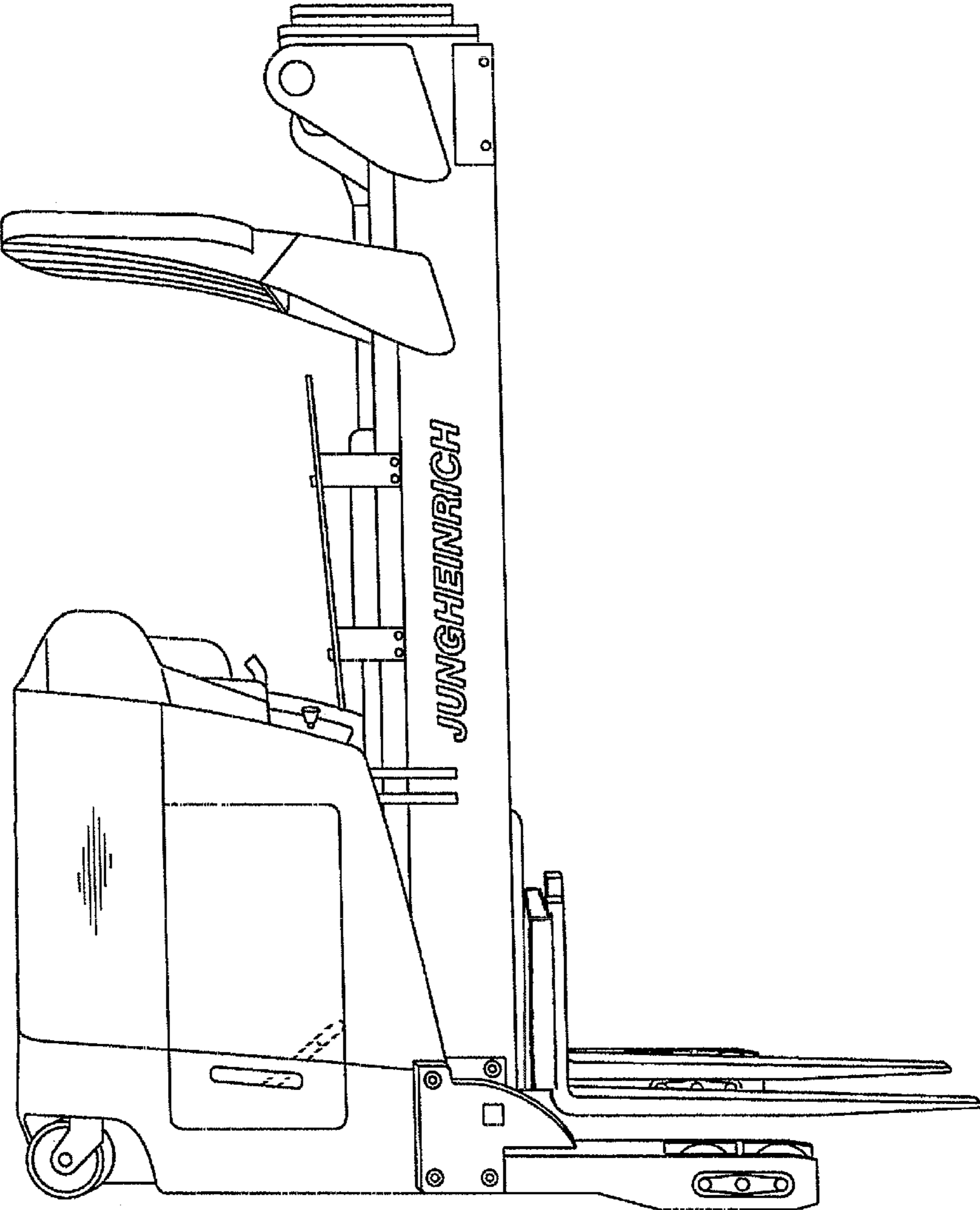


FIG. 6