



US00D806345S

(12) **United States Design Patent** (10) **Patent No.:** **US D806,345 S**  
**Torghele** (45) **Date of Patent:** **\*\* Dec. 26, 2017**

(54) **CRAWLER CRANE**

(71) Applicant: **Liebherr-Werk Nenzing GmbH,**  
Nenzing (AT)

(72) Inventor: **Richard Torghele, Bartholomaeberg**  
(AT)

(73) Assignee: **Liebherr-Werk Nenzing GmbH,**  
Nenzing (AT)

8,573,420 B2 \* 11/2013 Noske ..... B62D 55/084  
180/41

D734,577 S \* 7/2015 Ludescher ..... D15/10

D737,538 S \* 8/2015 Kameyama ..... D34/33

D738,064 S \* 9/2015 Ludescher ..... D34/33

D783,220 S \* 4/2017 Wedl ..... D34/33

2012/0152878 A1 \* 6/2012 Ishihara ..... B66C 23/365  
212/280

2012/0175333 A1 \* 7/2012 Pech ..... B66C 23/82  
212/177

2016/0289047 A1 \* 10/2016 Albinger ..... B66C 13/16

(\*\*) Term: **15 Years**

(21) Appl. No.: **29/564,257**

(22) Filed: **May 11, 2016**

(30) **Foreign Application Priority Data**

Nov. 12, 2015 (EP) ..... 2 857 094

(51) **LOC (10) Cl.** ..... **12-05**

(52) **U.S. Cl.**  
USPC ..... **D34/33**

(58) **Field of Classification Search**  
USPC ..... D34/33, 28; 182/36, 37, 142, 150;  
212/291, 280, 297, 302, 223, 255, 253  
CPC ..... B66C 13/14; B66C 13/46; B66C 13/18;  
B66C 13/16; B66C 13/06; B66C 13/22;  
B66C 23/76  
See application file for complete search history.

(56) **References Cited**

**U.S. PATENT DOCUMENTS**

1,509,295 A \* 9/1924 Holcomb ..... E02F 3/42  
212/167

2,035,044 A \* 3/1936 Carle ..... B66C 23/94  
212/223

4,555,032 A \* 11/1985 Mick ..... B66C 23/74  
180/116

D666,375 S \* 8/2012 Bohnacker ..... D34/33

D666,784 S \* 9/2012 Bohnacker ..... D34/33

D683,514 S \* 5/2013 Guo ..... D34/33

\* cited by examiner

*Primary Examiner* — Cynthia Ramirez

(74) *Attorney, Agent, or Firm* — McCoy Russell LLP

(57) **CLAIM**

The ornamental design for a crawler crane, as shown and described.

**DESCRIPTION**

This application contains at least one drawing executed in color. Copies of this patent or patent application publication with color drawing(s) will be provided by the Office upon request and payment of the necessary fee.

FIG. 1 is a front view of a design for a crawler crane according to the present disclosure.

FIG. 2 is a rear side view of the crawler crane of FIG. 1.

FIG. 3 is a left side view of the crawler crane of FIG. 1.

FIG. 4 is a right side view of the crawler crane of FIG. 1.

FIG. 5 is a top view of the crawler crane of FIG. 1.

FIG. 6 is a right side perspective view of the crawler crane of FIG. 1; and,

FIG. 7 is a left side perspective view of the crawler crane of FIG. 1.

A bottom view is not shown because there are no claimed features on the bottom view other than those features included in the views provided. The break lines in FIGS. 3-4 illustrate the extension of the crane.

**1 Claim, 7 Drawing Sheets**  
**(7 of 7 Drawing Sheet(s) Filed in Color)**

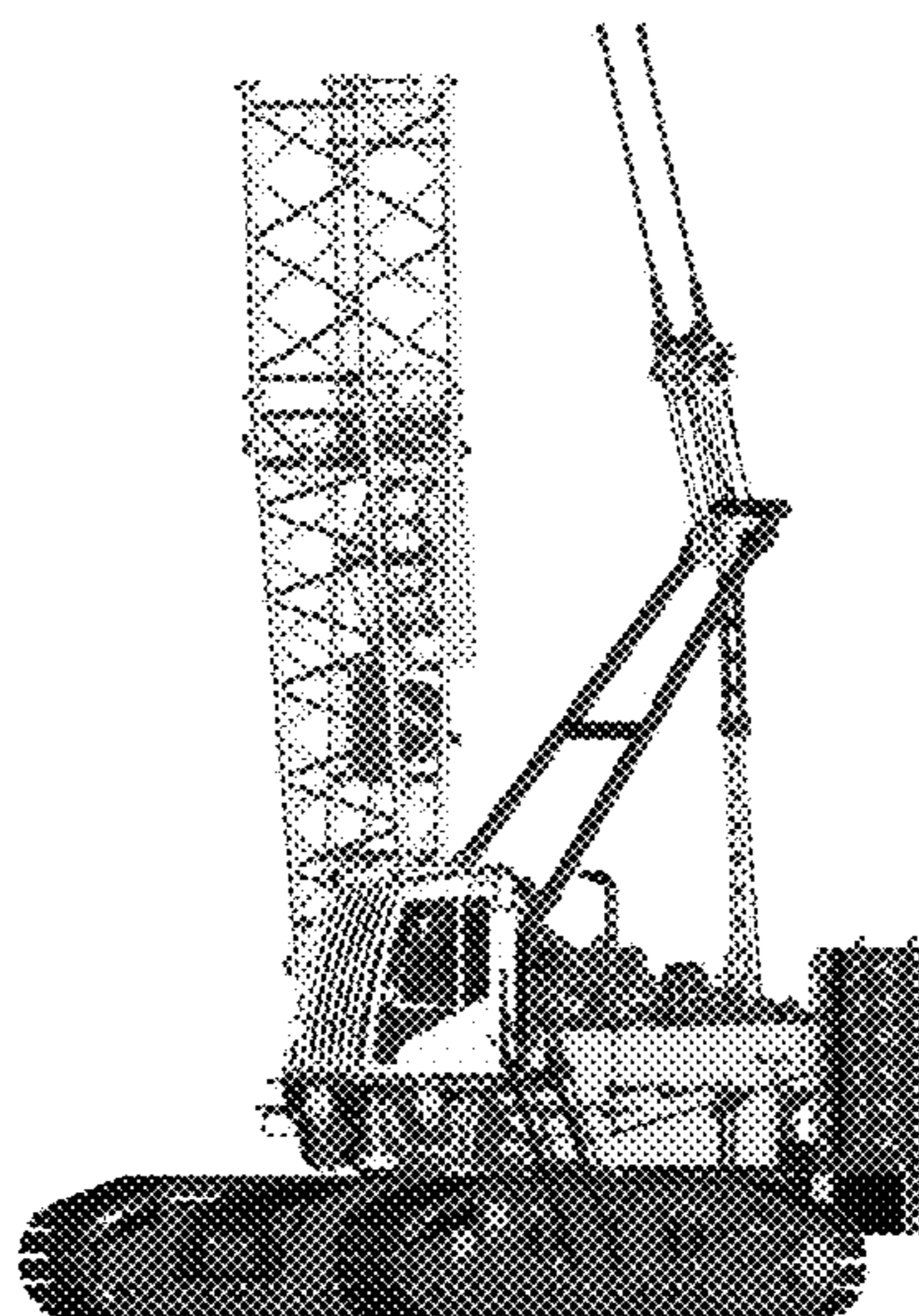


Fig. 1

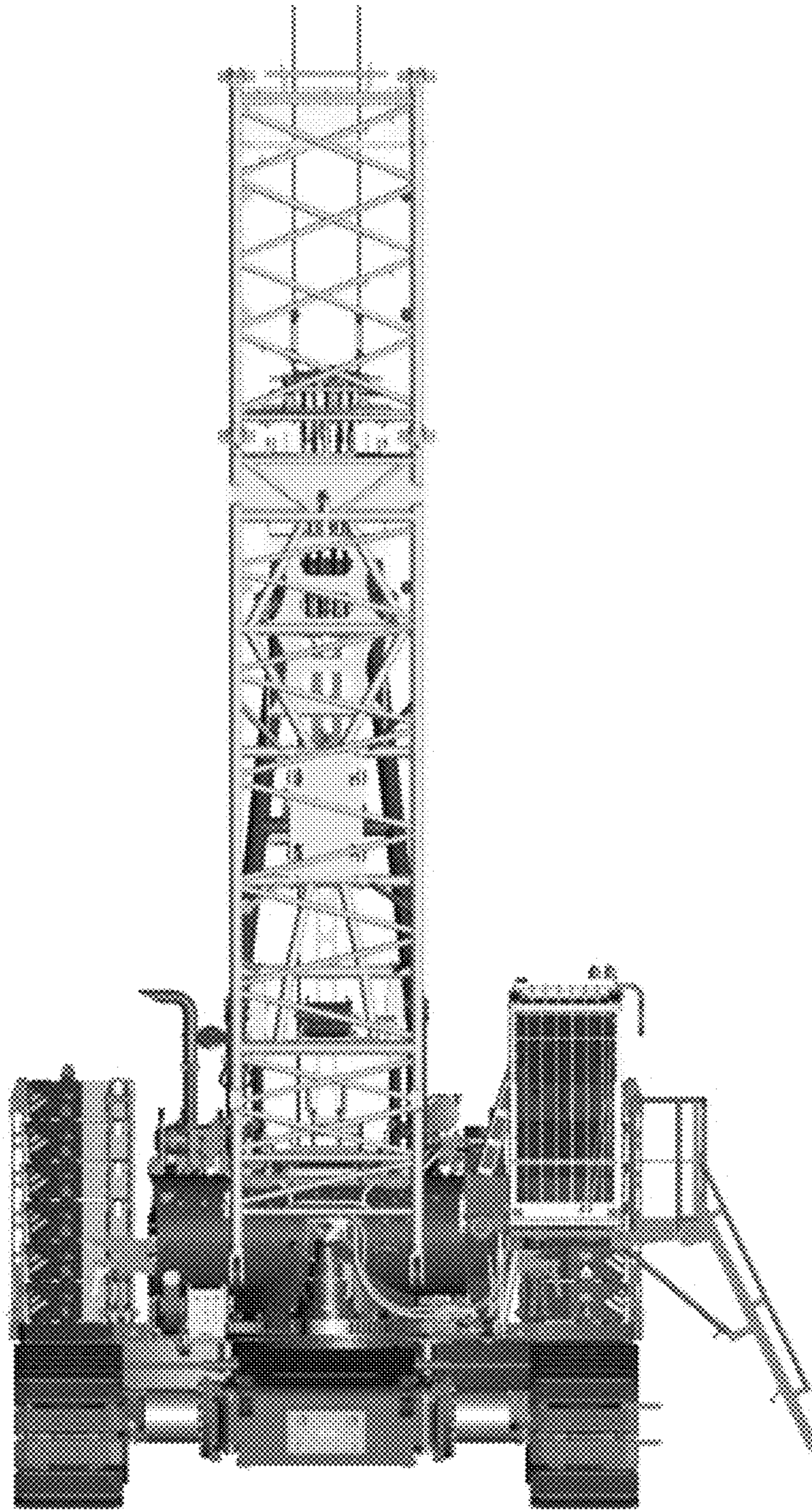


Fig. 2

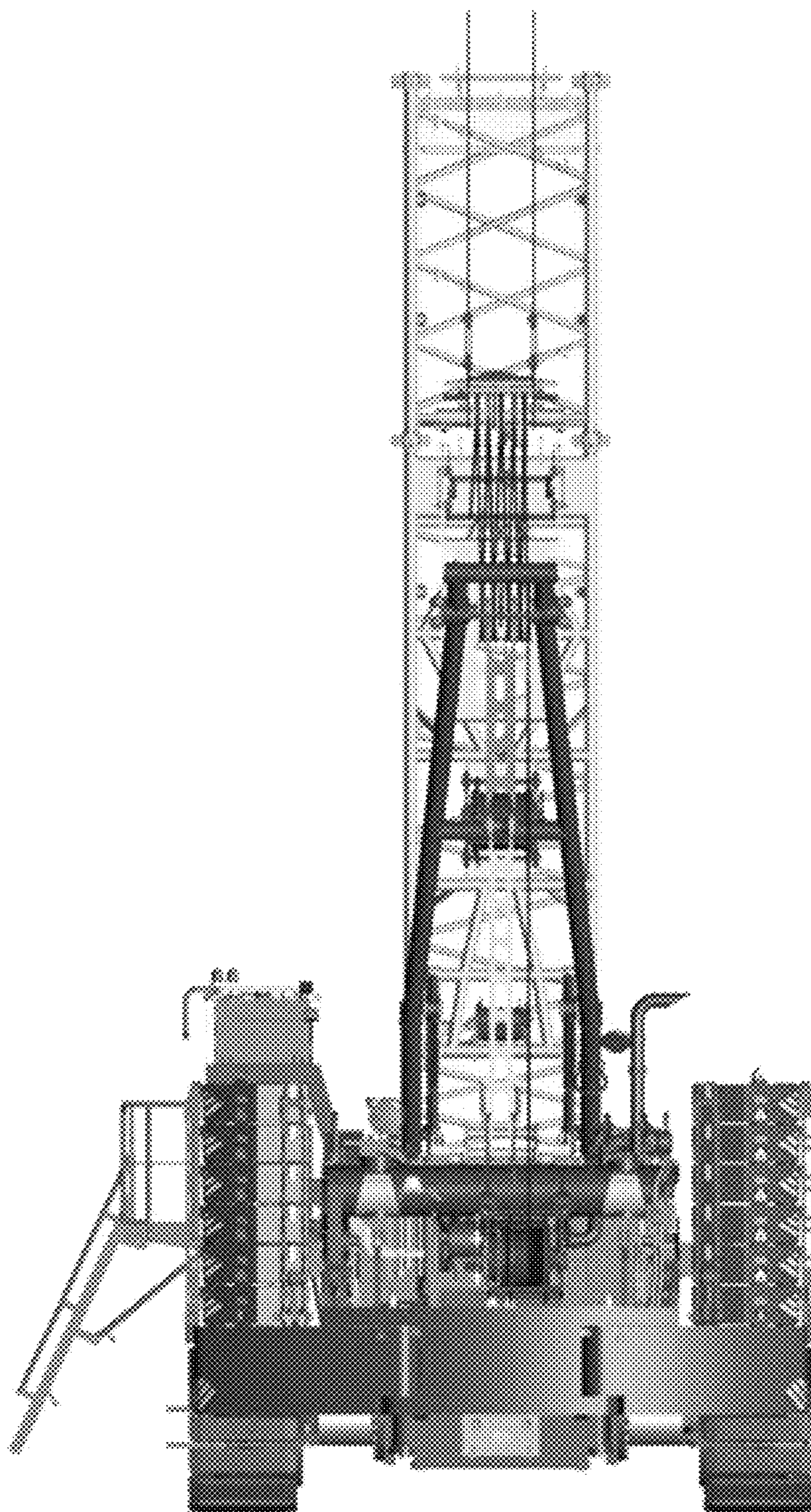


Fig. 3

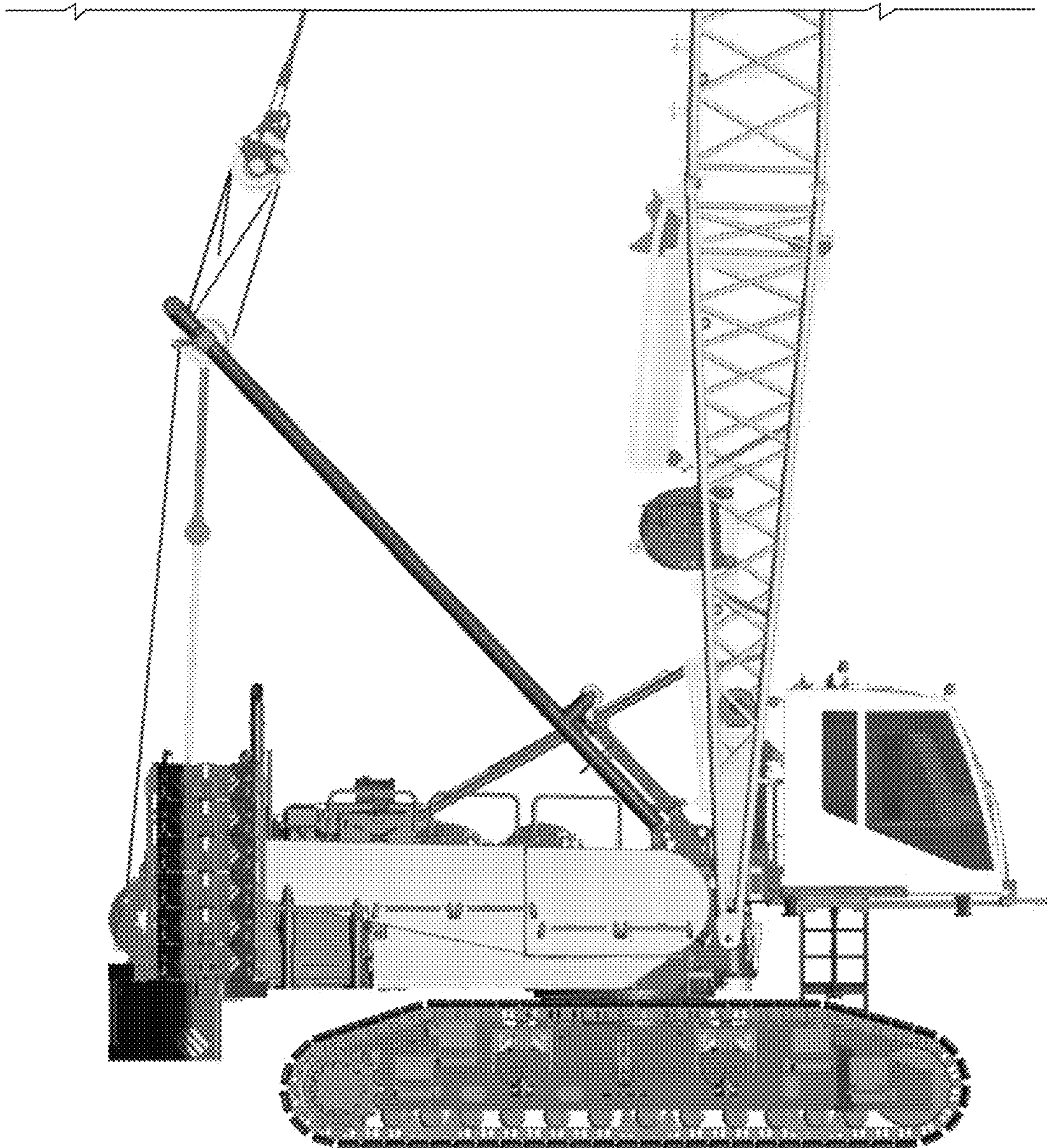


Fig. 4

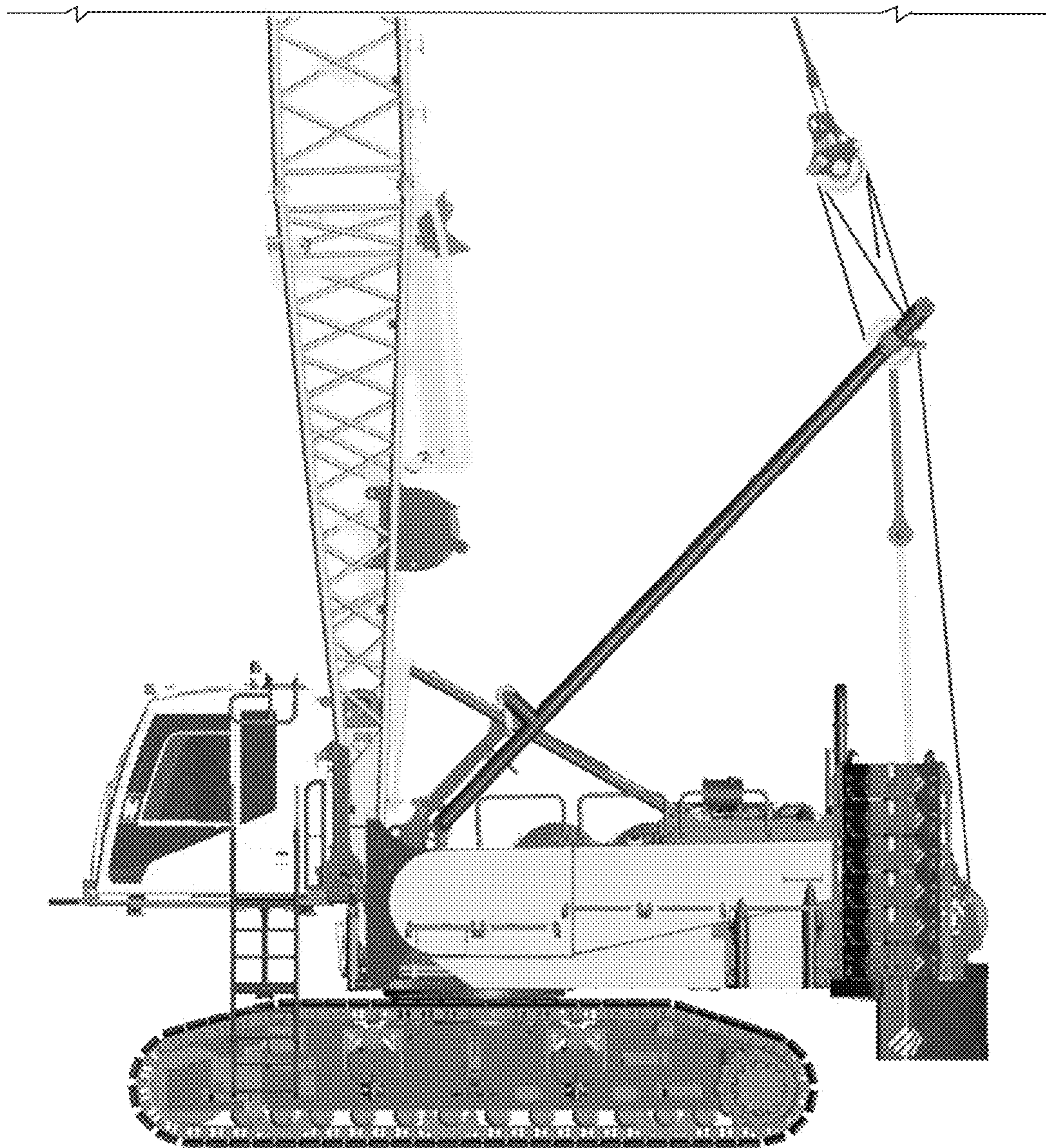


Fig. 5

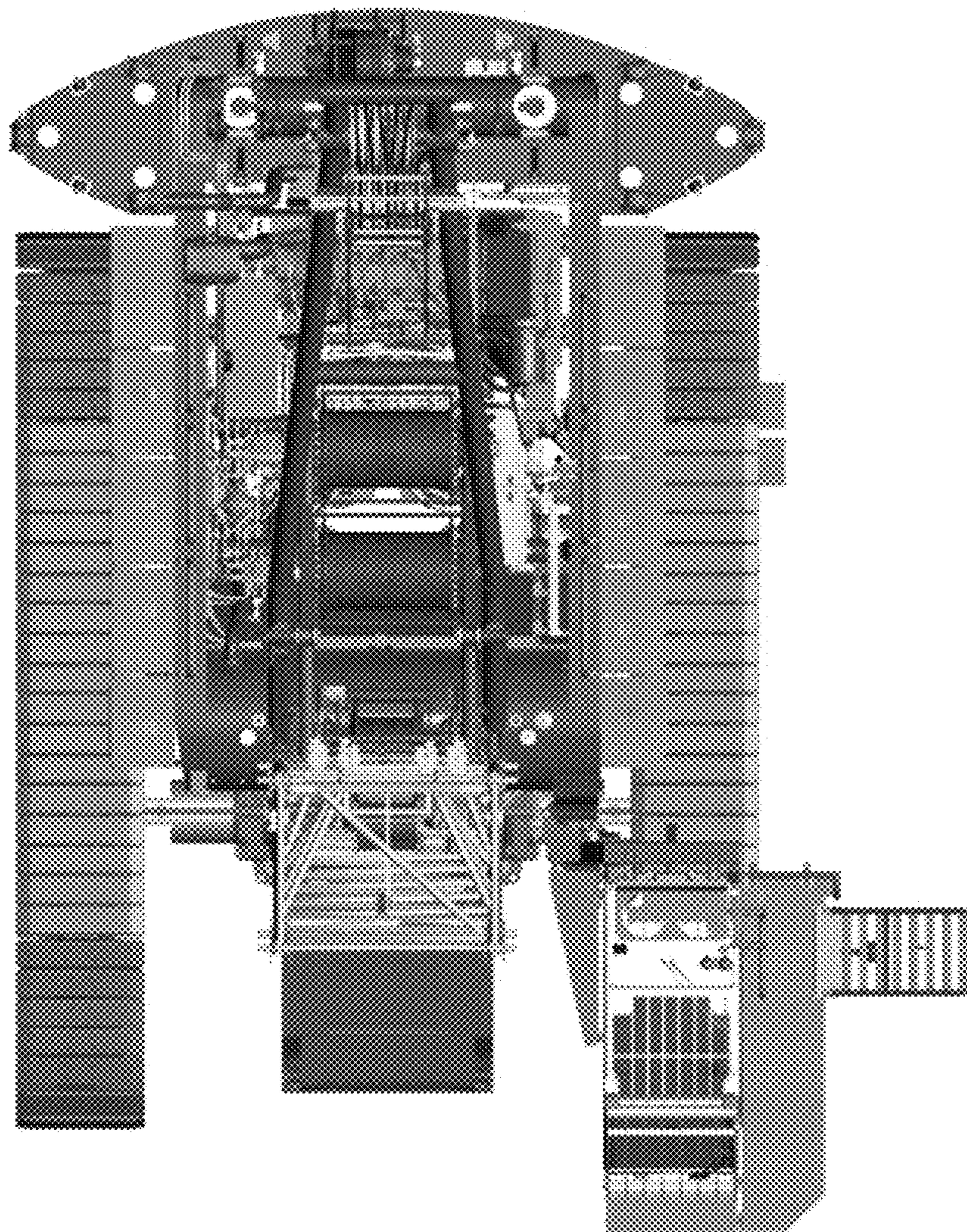


Fig. 6



Fig. 7

