



US00D806344S

(12) **United States Design Patent**  
**Lin**

(10) **Patent No.:** **US D806,344 S**

(45) **Date of Patent:** **\*\* Dec. 26, 2017**

(54) **FLOOR JACK**

D688,845 S \* 8/2013 Hernandez ..... D34/31  
D756,055 S \* 5/2016 Michas ..... D34/31  
D764,736 S \* 8/2016 Fox ..... D34/31

(71) Applicant: **Puo-Chun Lin**, Chiayi (TW)

\* cited by examiner

(72) Inventor: **Puo-Chun Lin**, Chiayi (TW)

(\*\*) Term: **15 Years**

*Primary Examiner* — Cynthia Ramirez

*Assistant Examiner* — Michael Maharajh

(21) Appl. No.: **29/574,117**

(74) *Attorney, Agent, or Firm* — Alan D. Kamrath;  
Kamrath IP Lawfirm, P.A.

(22) Filed: **Aug. 12, 2016**

(57) **CLAIM**

(51) **LOC (10) Cl.** ..... **12-05**

The ornamental design for a floor jack, as shown and described.

(52) **U.S. Cl.**

**DESCRIPTION**

USPC ..... **D34/31**

(58) **Field of Classification Search**

USPC ..... 254/11, 12, 15, 120, 134, 2 R, 418, 45,  
254/84, 88, 8 R, 93 H, 93 R; D34/28, 31,  
D34/35; D8/499

CPC ..... B66F 1/00; B66F 3/00; B66F 5/00  
See application file for complete search history.

FIG. 1 is a left front side perspective view of a floor jack showing my design;

FIG. 2 is a right rear side perspective view of the floor jack as shown in FIG. 1;

FIG. 3 is a front elevational view of the floor jack as shown in FIG. 1;

FIG. 4 is a rear elevational view of the floor jack as shown in FIG. 1;

FIG. 5 is a left side elevational view of the floor jack as shown in FIG. 1;

FIG. 6 is a right side elevational view of the floor jack as shown in FIG. 1;

FIG. 7 is a top plan view of the floor jack as shown in FIG. 1; and,

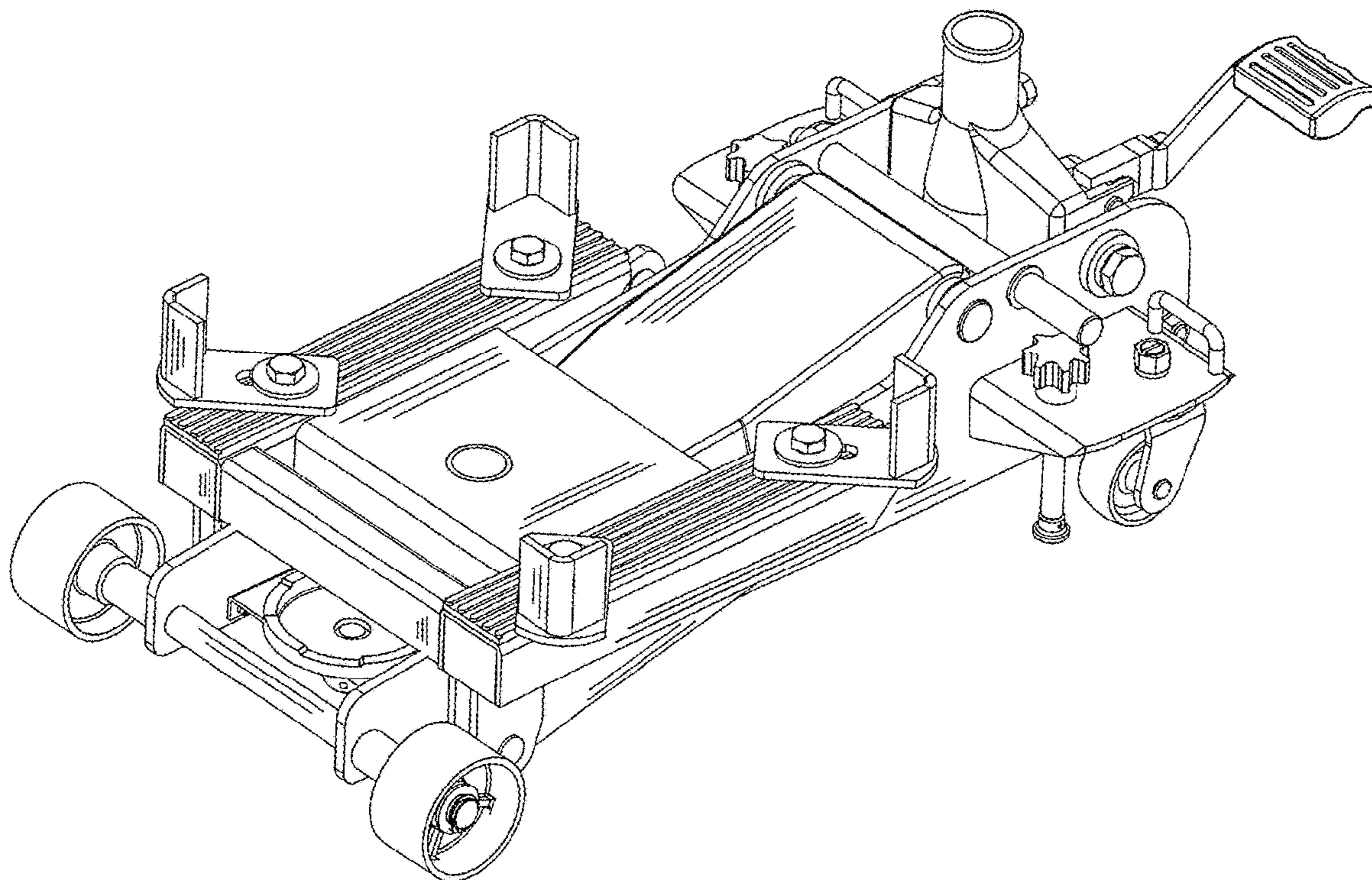
FIG. 8 is a bottom plan view of the floor jack as shown in FIG. 1.

(56) **References Cited**

**U.S. PATENT DOCUMENTS**

D358,923 S \* 5/1995 Hawkins ..... D34/31  
D452,597 S \* 12/2001 Hung ..... D34/31  
D480,196 S \* 9/2003 Hsu ..... D34/31  
6,722,634 B1 \* 4/2004 Hsu ..... B66F 5/04  
254/8 R  
D579,167 S \* 10/2008 Lin ..... D34/31  
D582,623 S \* 12/2008 Qian ..... D34/31  
D590,121 S \* 4/2009 Shen ..... D34/31  
D625,073 S \* 10/2010 Hernandez ..... D34/31

**1 Claim, 7 Drawing Sheets**



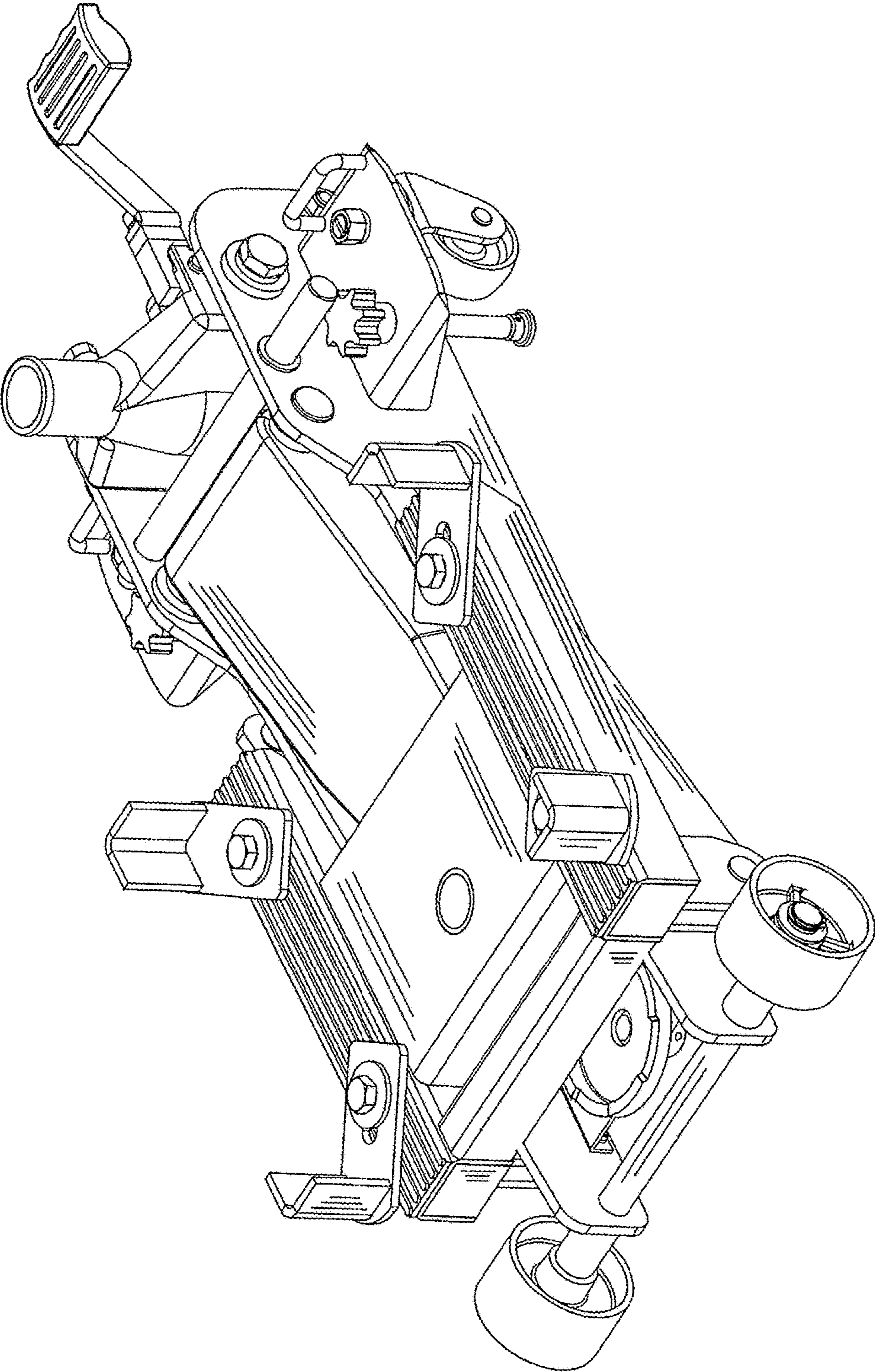


FIG. 1

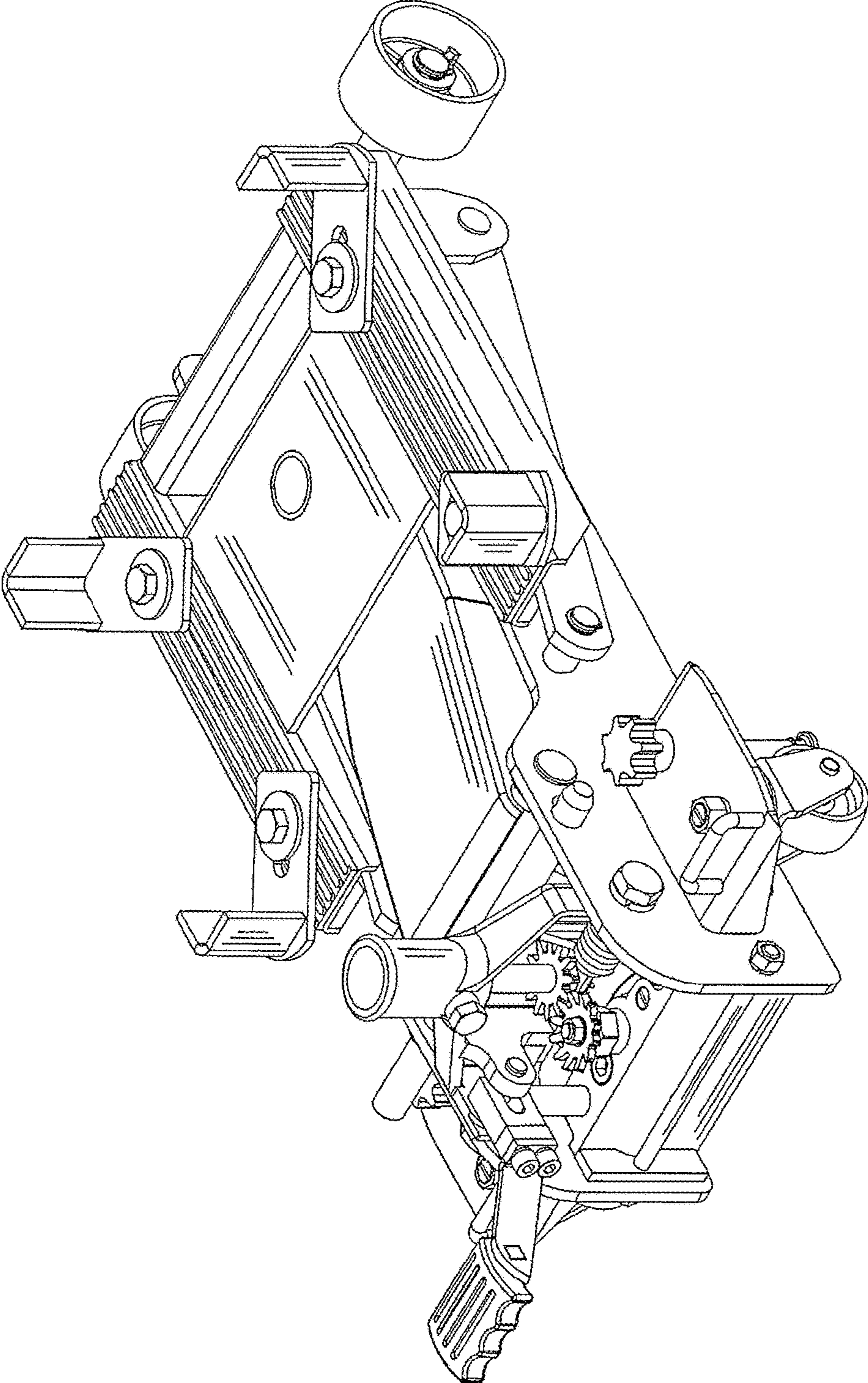


FIG. 2

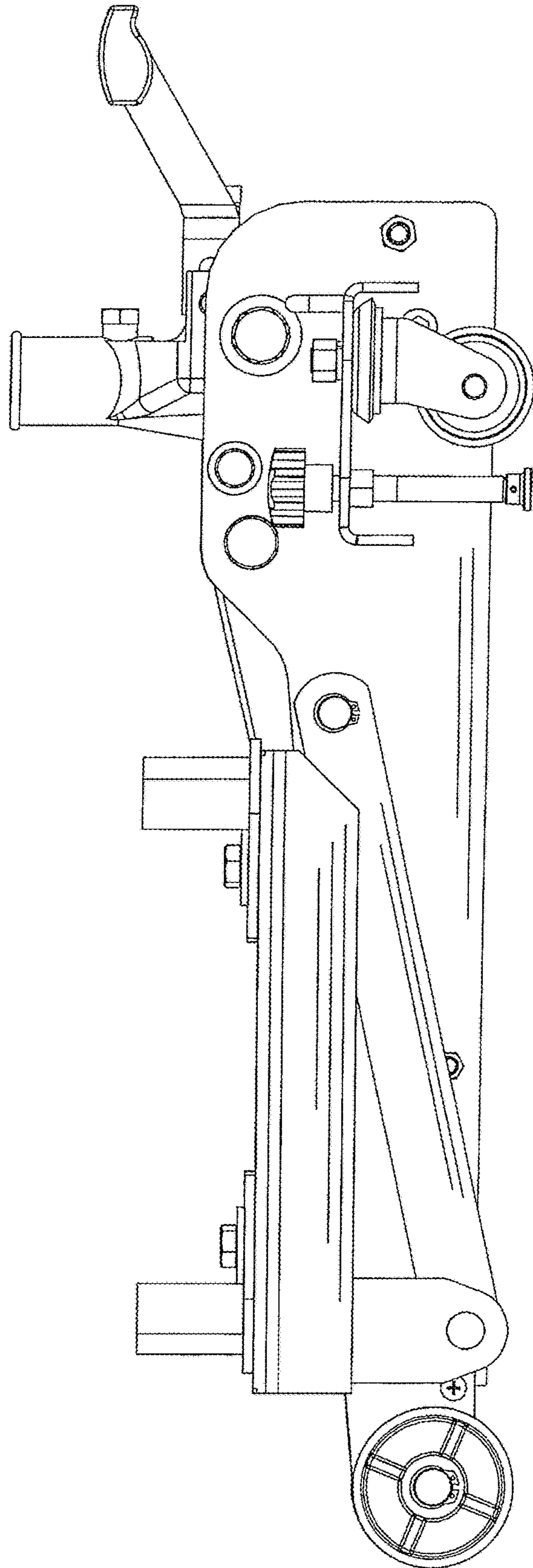


FIG. 3

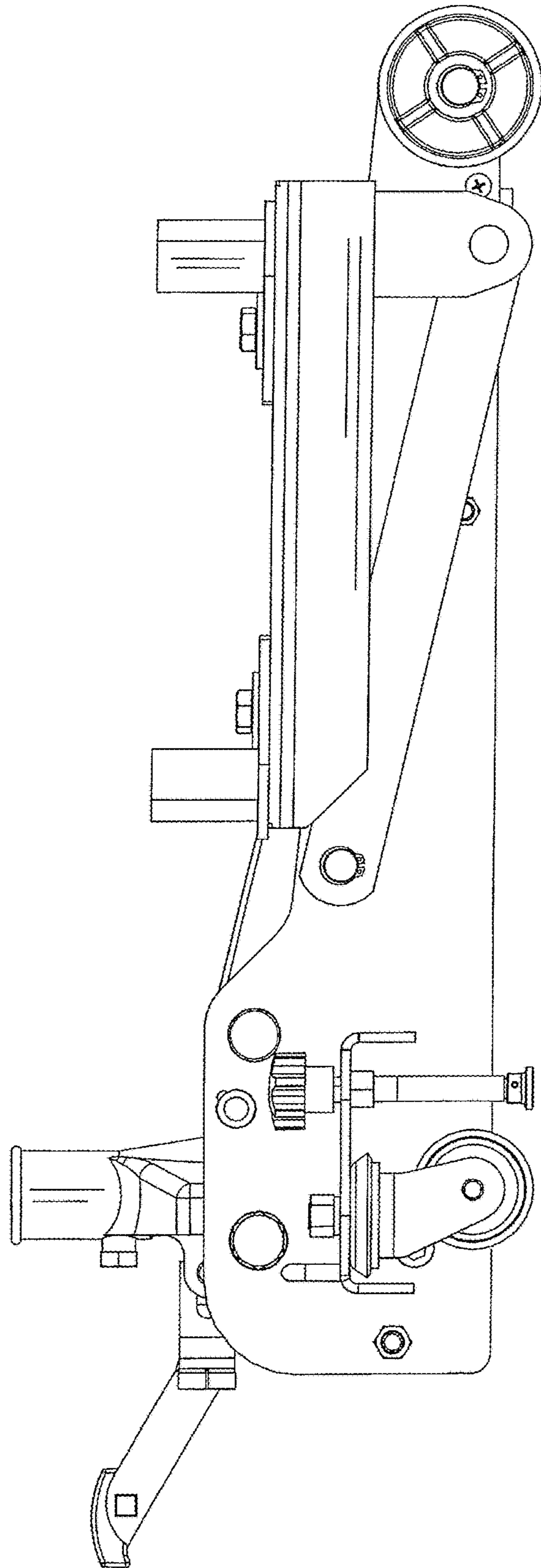


FIG. 4

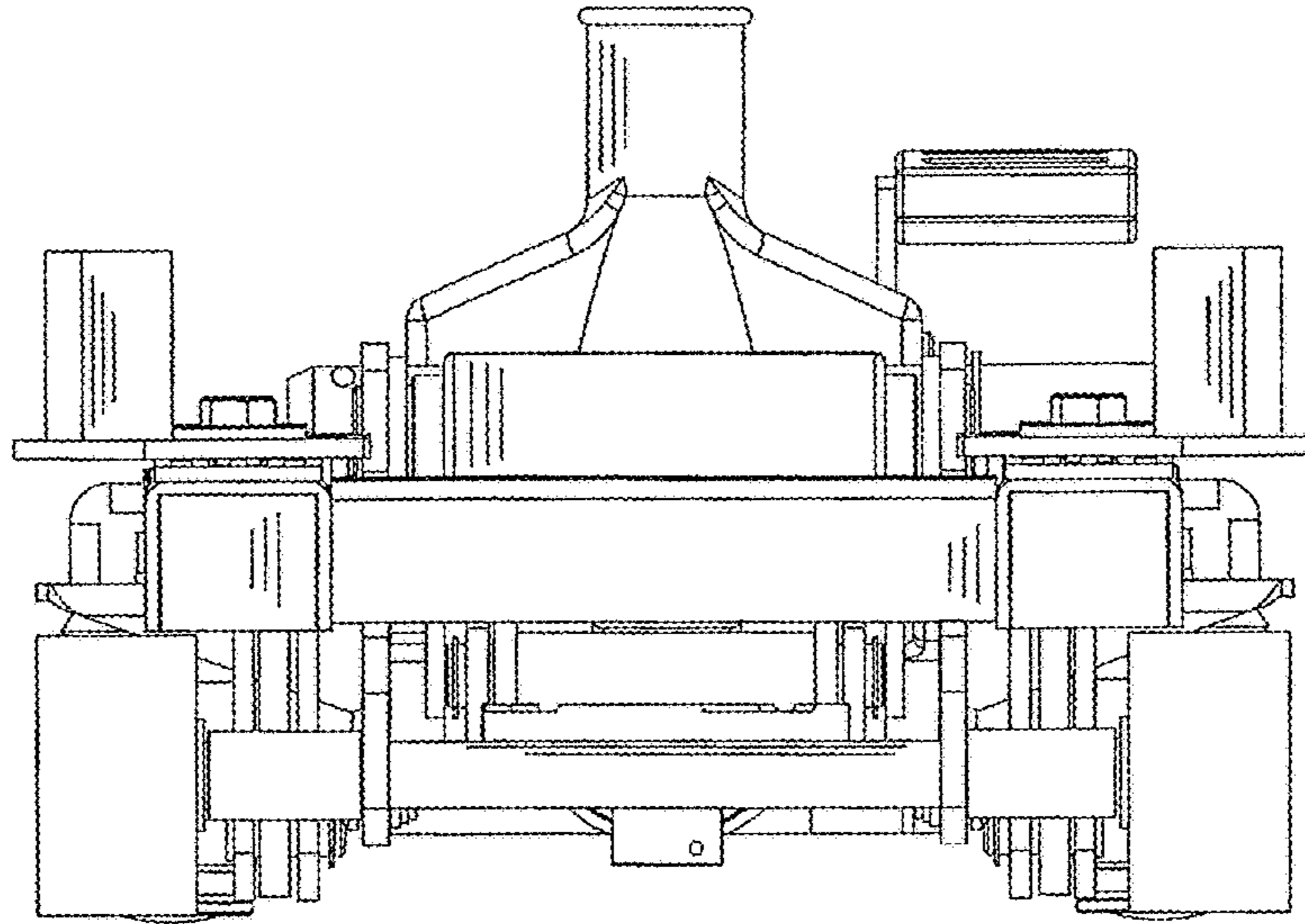


FIG. 5

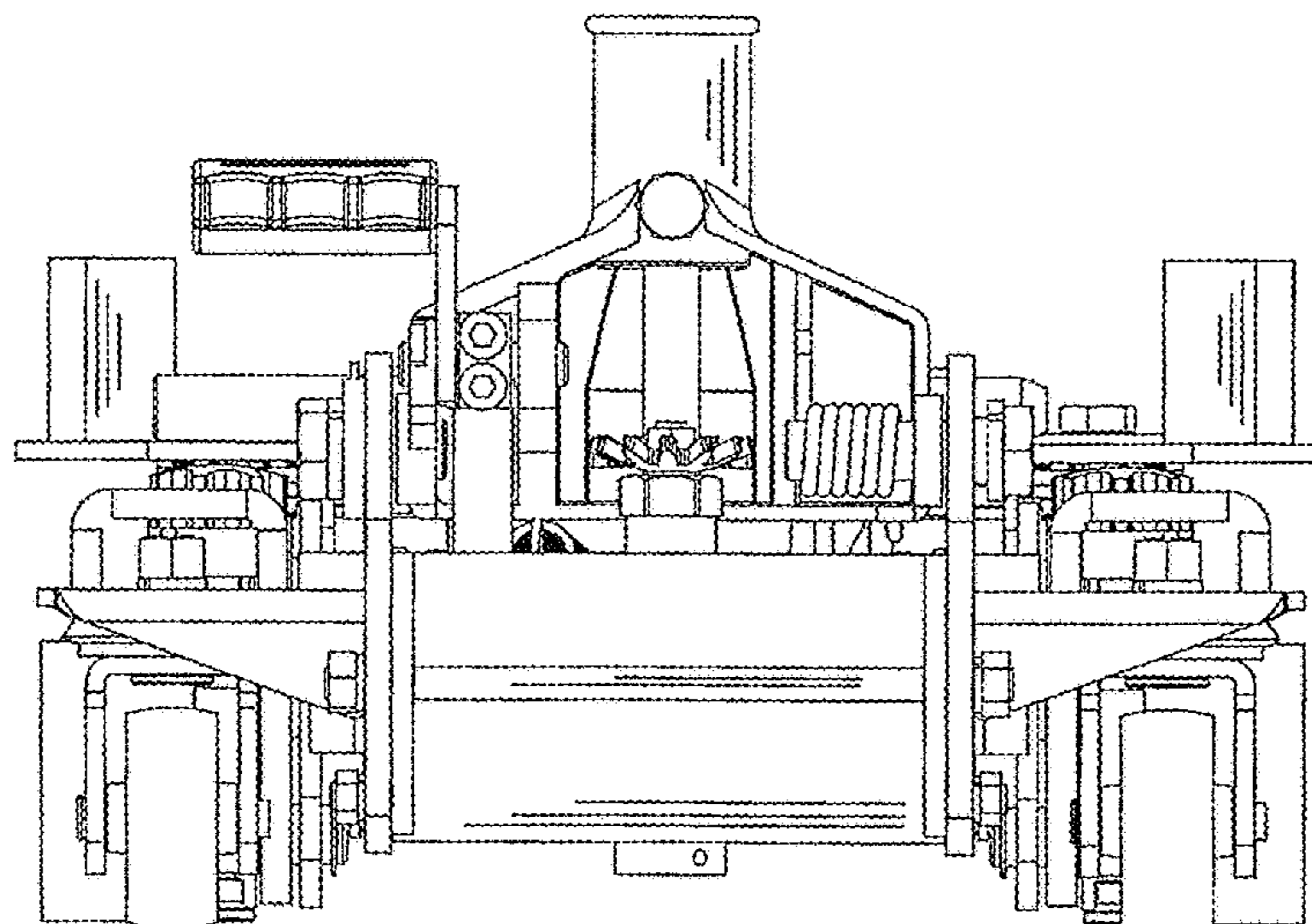


FIG. 6

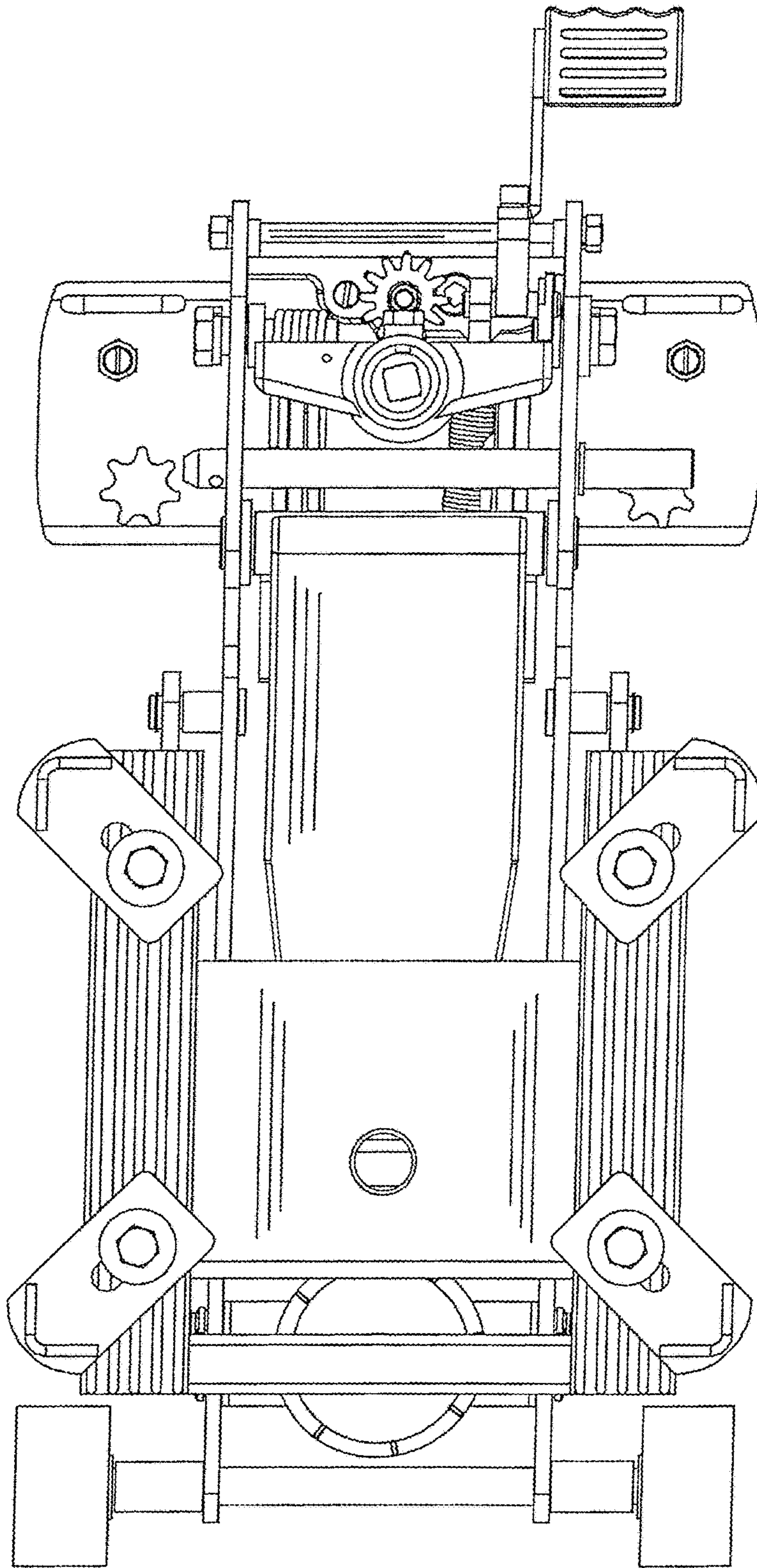


FIG. 7

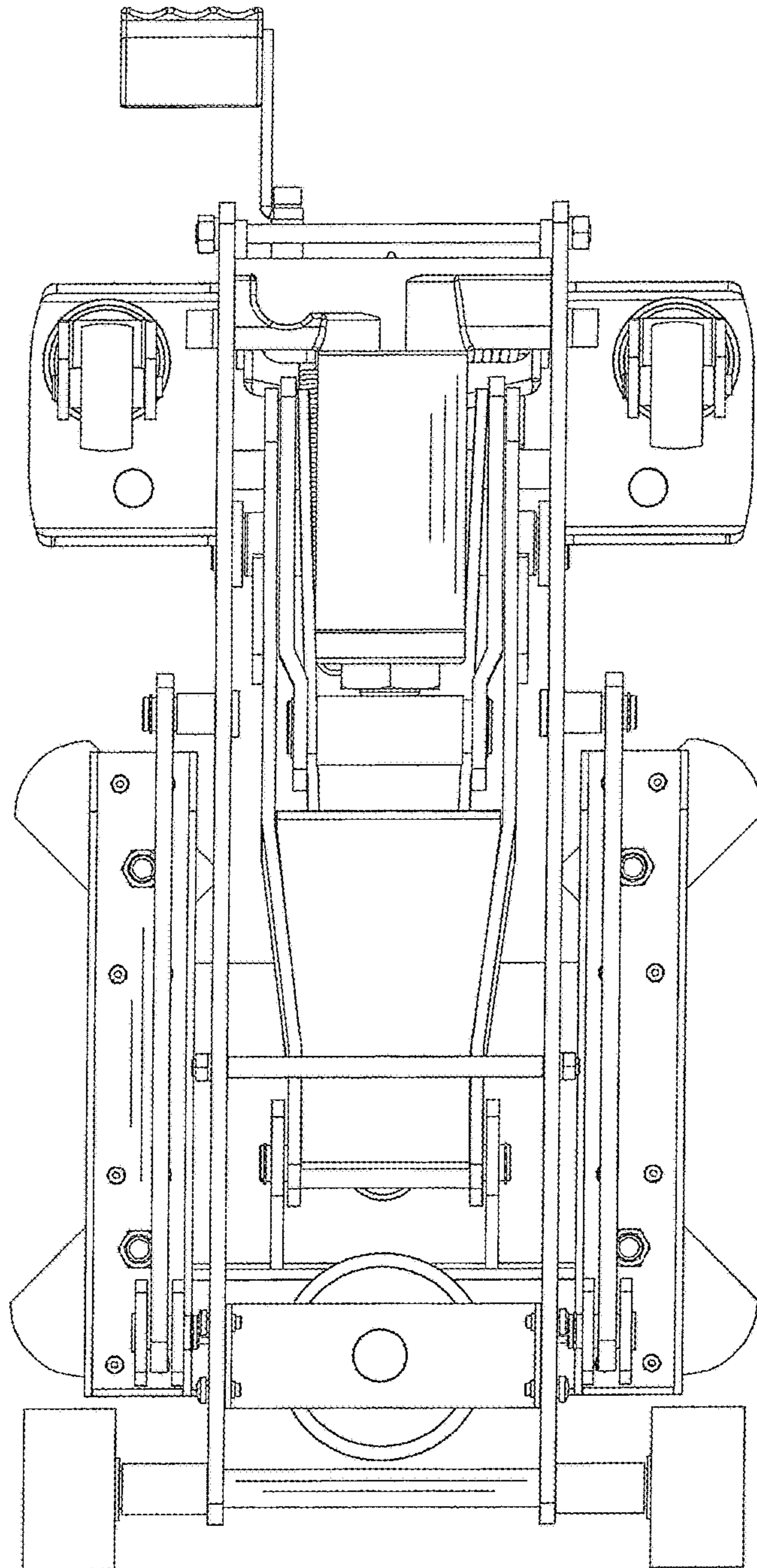


FIG. 8