



US00D806343S

(12) **United States Design Patent** (10) **Patent No.:** **US D806,343 S**
Hobbins (45) **Date of Patent:** **** Dec. 26, 2017**

(54) **LIFT HARNESS**

(71) Applicant: **Glenn Hobbins**, Lapeer, MI (US)

(72) Inventor: **Glenn Hobbins**, Lapeer, MI (US)

(**) Term: **15 Years**

(21) Appl. No.: **29/561,781**

(22) Filed: **Apr. 20, 2016**

(51) **LOC (10) Cl.** **12-05**

(52) **U.S. Cl.**

USPC **D34/28**; D29/101.1

(58) **Field of Classification Search**

USPC D34/28, 33, 35; 297/411.2; 187/200;
 414/539, 540, 541, 921; D29/124, 101.1;
 D30/152; D8/14; 294/26, 34, 137, 149,
 294/152, 155; D24/199; D3/214, 215,
 D3/216, 217; 224/148.6, 148.7, 623,
 224/637-640, 901.4, 930, 271, 576, 607,
 224/627

CPC A45F 3/14; A45F 5/00; A61G 7/1023;
 A61G 7/1051; A61H 2201/1645; A61H
 3/008; A63B 71/0036

See application file for complete search history.

(56) **References Cited**

U.S. PATENT DOCUMENTS

4,327,852	A *	5/1982	Gibson	A45F 3/14 224/627
D355,290	S *	2/1995	Parker	D34/28
D366,550	S *	1/1996	Shapiro	D34/28
D367,142	S *	2/1996	Platt	D29/124
D471,633	S *	3/2003	Brown	D24/190
D602,224	S *	10/2009	Liljedahl	D34/28
D686,777	S *	7/2013	Borgen	D29/101.1
D739,085	S *	9/2015	Tadeo	D29/101.1
D776,880	S *	1/2017	Nilsson	D29/101.1
2009/0294500	A1 *	12/2009	Brown	A45F 3/04 224/627

2012/0000947	A1 *	1/2012	Ashley	A45F 3/14 224/257
2012/0228347	A1 *	9/2012	Bizzell	A45F 3/14 224/255
2014/0014697	A1 *	1/2014	Schmierer	A45F 3/047 224/259
2014/0084038	A1 *	3/2014	Moles	A45F 5/00 224/607
2016/0113406	A1 *	4/2016	Shamaiengar	A47C 7/546 297/411.2
2016/0198836	A1 *	7/2016	Fan	A45F 5/00 224/271
2016/0252800	A1 *	9/2016	Jeong	A45F 5/00 224/576

* cited by examiner

Primary Examiner — Cynthia Ramirez

Assistant Examiner — Michael Maharajh

(74) *Attorney, Agent, or Firm* — Harness, Dickey & Pierce, P.L.C.

(57) **CLAIM**

The ornamental design for a lift harness, substantially as shown.

DESCRIPTION

FIG. 1 is a perspective view of a lift harness showing my new design;

FIG. 2 is a front view thereof;

FIG. 3 is a left side view thereof;

FIG. 4 is a top view thereof;

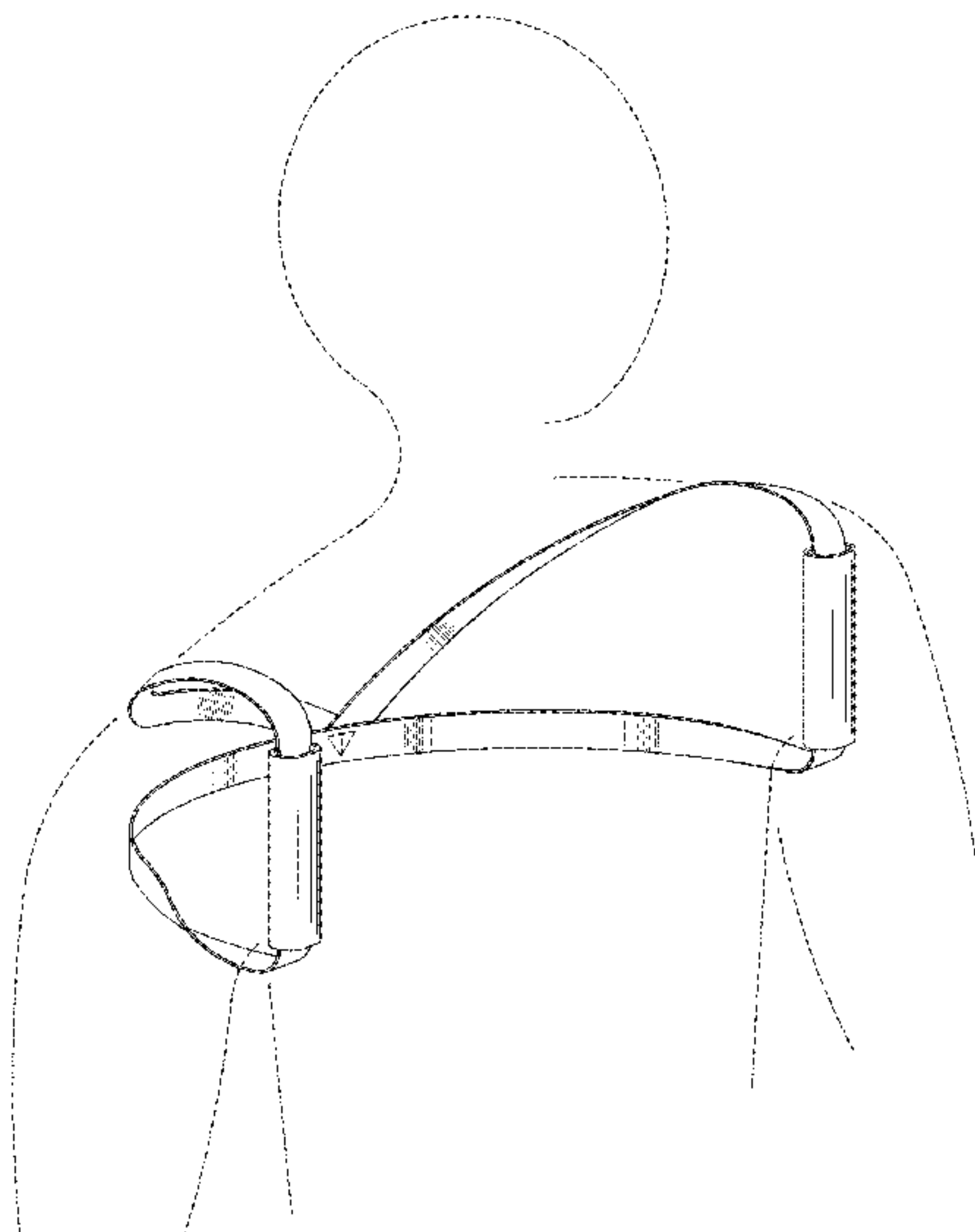
FIG. 5 is a rear view thereof;

FIG. 6 is a right side view thereof; and,

FIG. 7 is a bottom view thereof.

The broken lines on the harness in FIGS. 1, 2 and 5 are for the purposes of illustrating portions of the lift harness and form no part of the claimed design. The broken lines of the human figure in FIG. 1 are for the purposes of illustrating environmental structure and form no part of the claimed design.

1 Claim, 3 Drawing Sheets



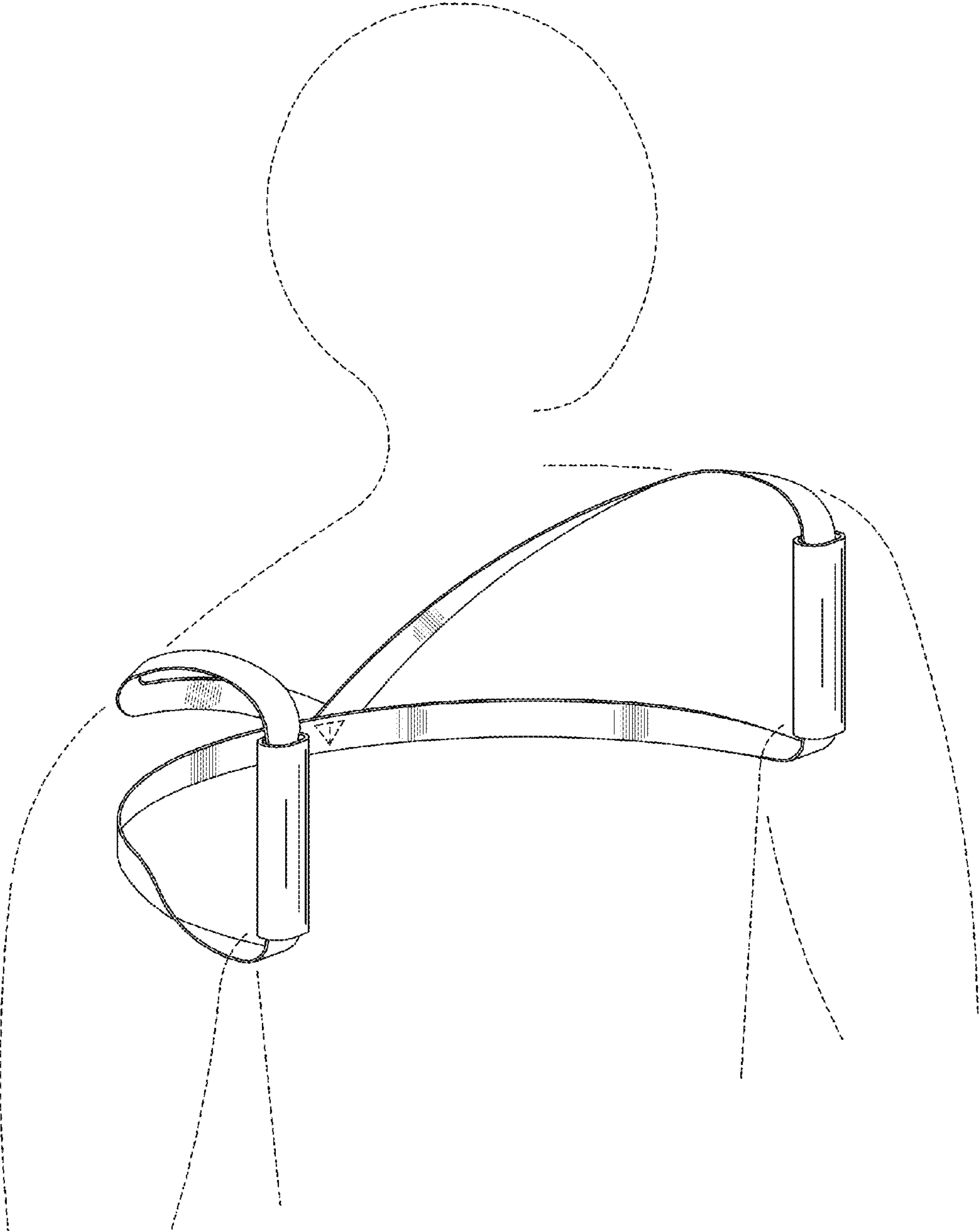


FIG 1

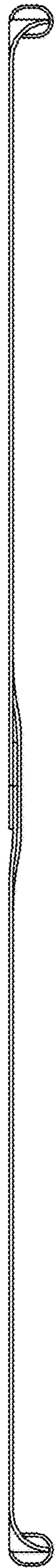


FIG 4

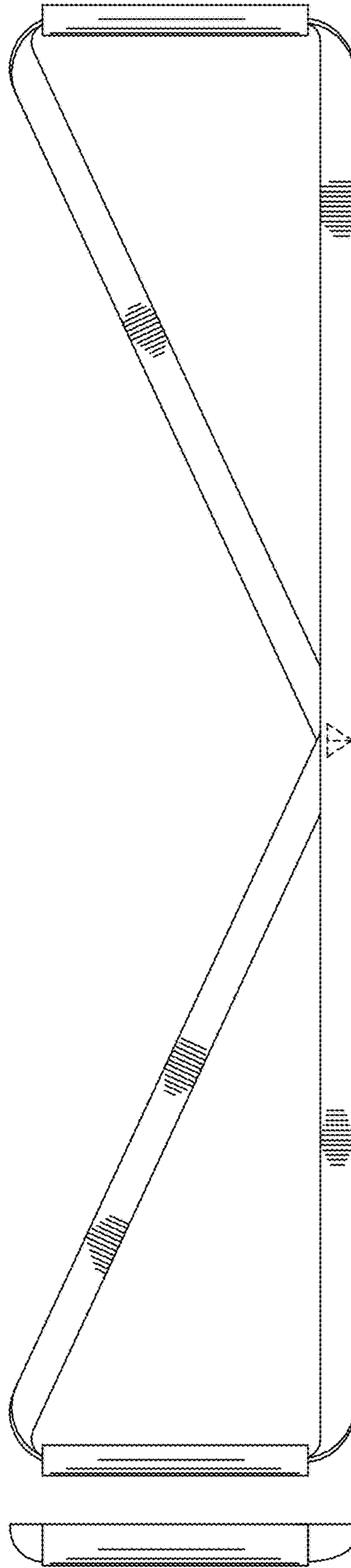


FIG 2

FIG 3

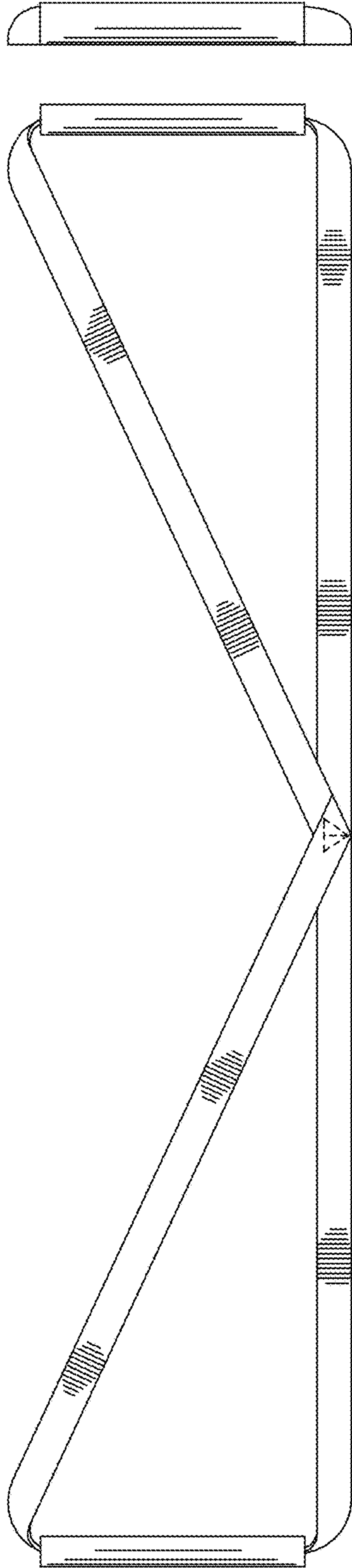


FIG 5

FIG 6



FIG 7