



US00D806340S

(12) **United States Design Patent**  
**Stalter et al.**

(10) **Patent No.:** **US D806,340 S**  
(45) **Date of Patent:** **\*\* Dec. 26, 2017**

- (54) **CART**
- (71) Applicant: **General Electric Company**,  
Schenectady, NY (US)
- (72) Inventors: **Ross Stalter**, Hartland, WI (US);  
**Lanping Liu**, WuXi (CN); **Yue Wu**,  
WuXi (CN)
- (73) Assignee: **General Electric Company**,  
Schenectady, NY (US)
- (\*\*) Term: **15 Years**
- (21) Appl. No.: **29/568,449**
- (22) Filed: **Jun. 17, 2016**
- (30) **Foreign Application Priority Data**  
Dec. 23, 2015 (CN) ..... 2015 3 0552716
- (51) **LOC (10) Cl.** ..... **12-02**
- (52) **U.S. Cl.**  
USPC ..... **D34/14**
- (58) **Field of Classification Search**  
USPC ..... D34/12-27; 280/47.18, 47.26, 47.34,  
280/33.992, 33.993; D24/185  
CPC .. B62B 3/02; B62B 3/10; B62B 3/008; A47B  
9/10  
See application file for complete search history.

- 2004/0262867 A1\* 12/2004 Arceta ..... A61G 12/001  
280/47.35
- 2010/0213679 A1\* 8/2010 Smith ..... A47B 21/00  
280/47.35
- 2013/0200579 A1\* 8/2013 Abernethy ..... B62B 3/02  
280/6.15
- 2014/0084558 A1\* 3/2014 Ergun ..... B62B 3/005  
280/47.35
- 2014/0218282 A1\* 8/2014 Hung ..... G06F 3/01  
345/156
- 2014/0265193 A1\* 9/2014 Stark ..... B62B 3/10  
280/47.34

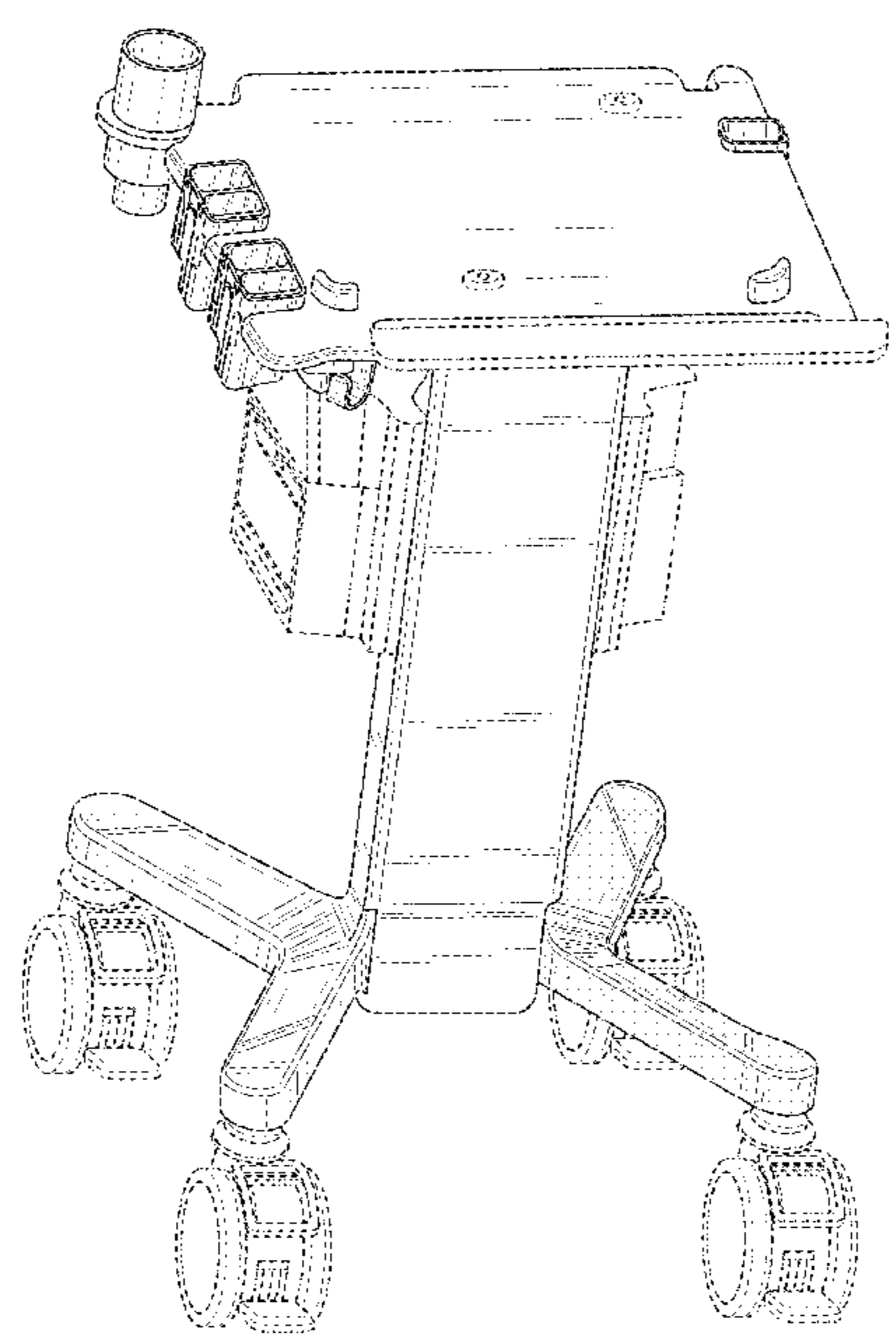
\* cited by examiner  
*Primary Examiner* — Cynthia Ramirez  
(74) *Attorney, Agent, or Firm* — McCoy Russell LLP

(57) **CLAIM**  
The ornamental design for a cart, as shown and described.

**DESCRIPTION**  
FIG. 1 is a front view of a design for a cart with the tray handlebar shown in broken lines in a first position, as shown and described.  
FIG. 2 is a back view of the cart of FIG. 1.  
FIG. 3 is a right view of the cart of FIG. 1, with the tray handlebar shown in broken lines in a second position.  
FIG. 4 is a left view of the cart of FIG. 1, with the tray handlebar shown in broken lines in the second position.  
FIG. 5 is a top view of the cart of FIG. 1.  
FIG. 6 is a bottom view of the cart of FIG. 1; and,  
FIG. 7 is a front perspective view of the cart of FIG. 1.  
The broken lines in FIGS. 1-7 are included for the purpose of illustrating environmental structure and form no part of the claimed design.

**1 Claim, 7 Drawing Sheets**

- (56) **References Cited**  
U.S. PATENT DOCUMENTS  
8,109,527 B2\* 2/2012 Bustle ..... A47B 21/0314  
248/118.3  
D730,011 S \* 5/2015 McRorie ..... D34/14  
D786,522 S \* 5/2017 Houlihan ..... B62B 3/008  
D34/14



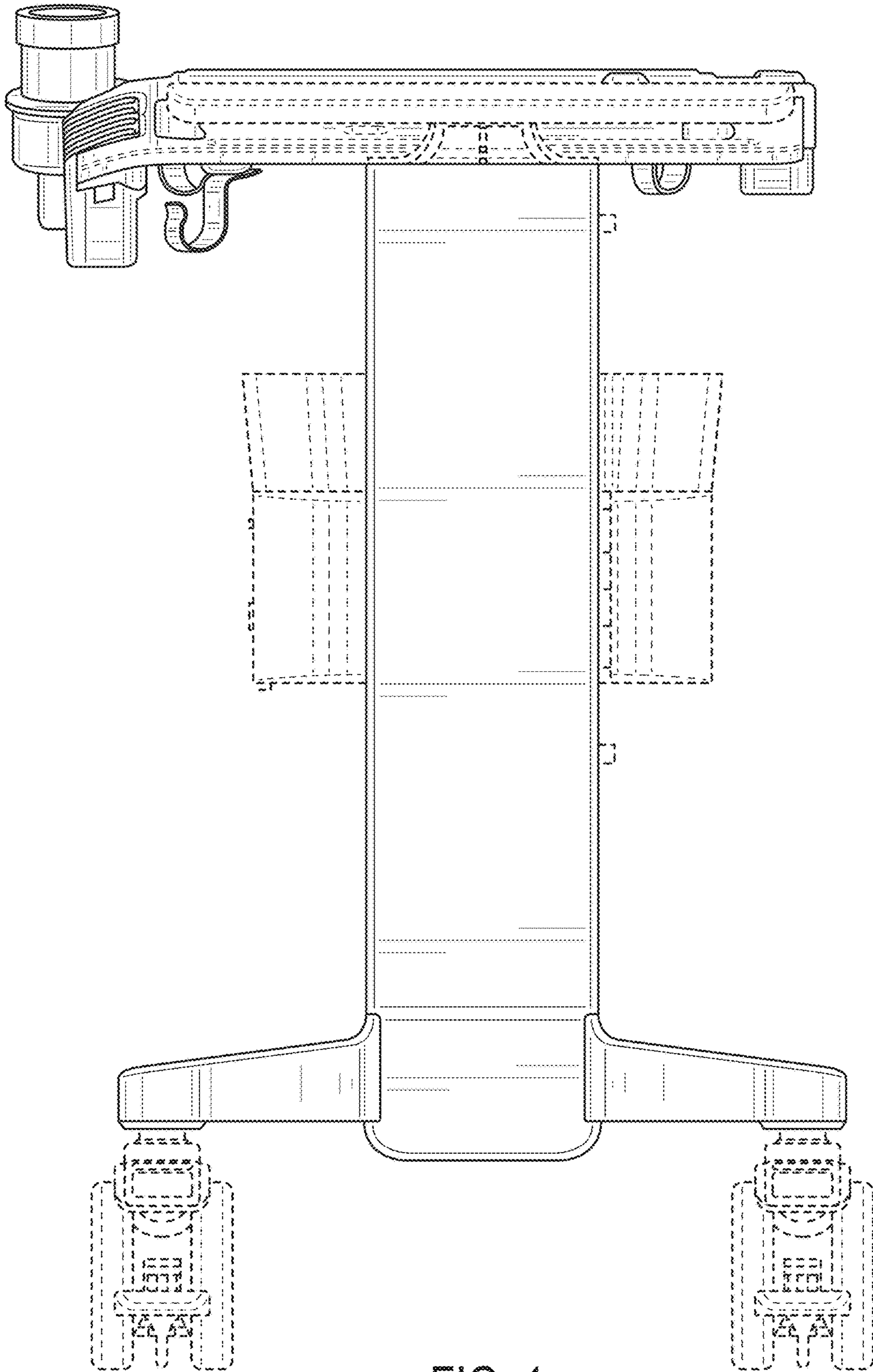


FIG. 1

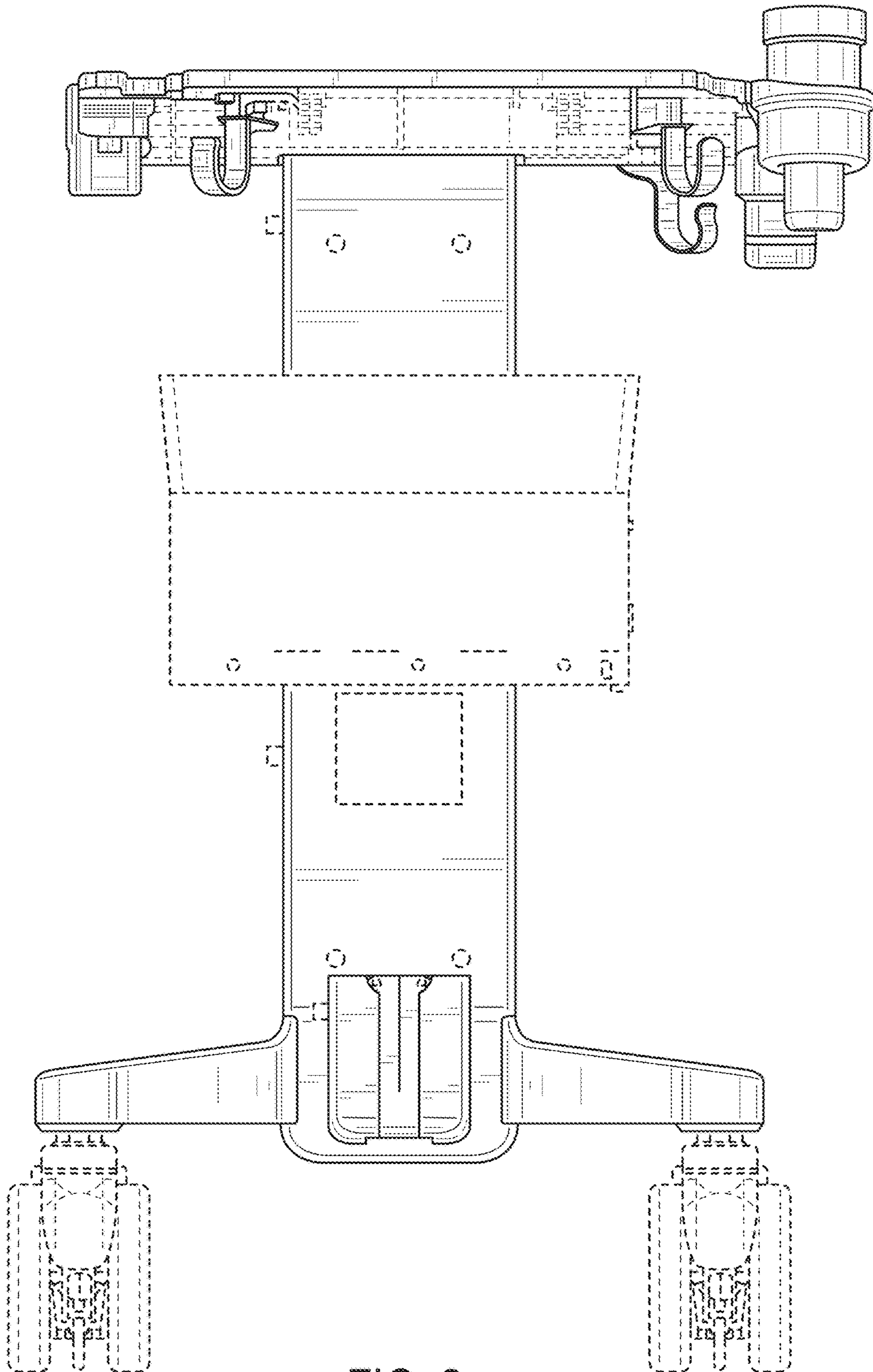


FIG. 2

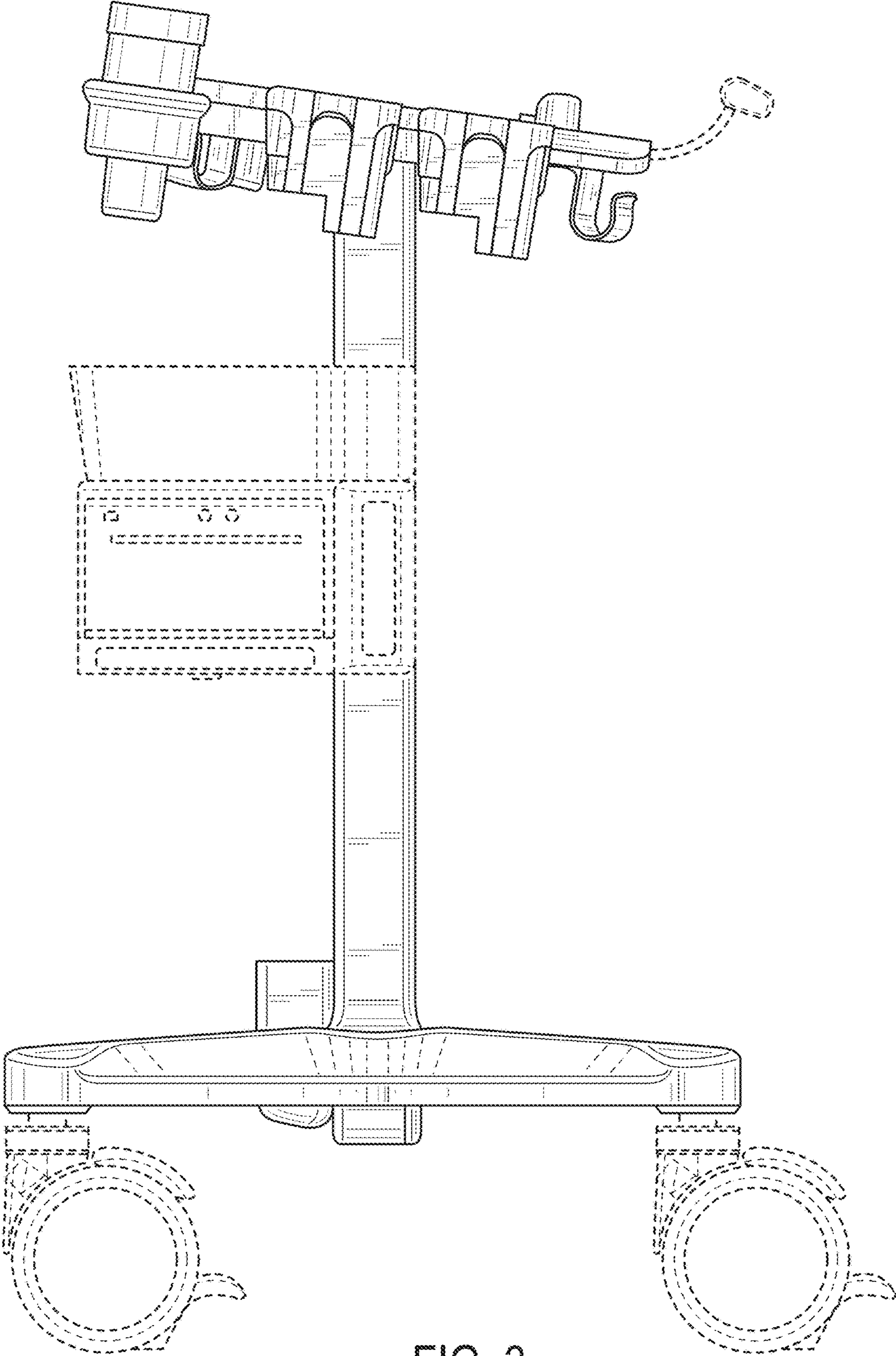


FIG. 3

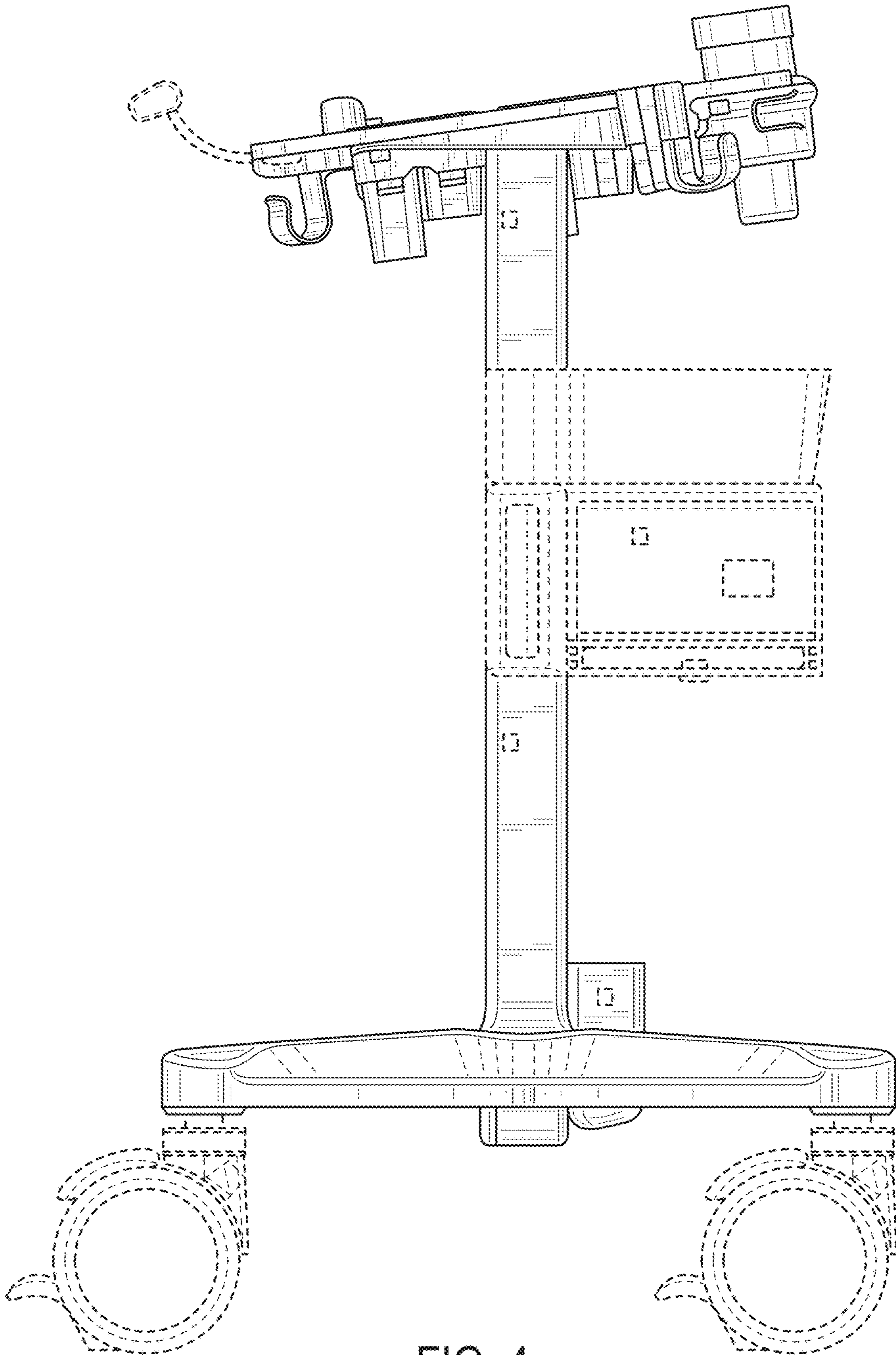


FIG. 4

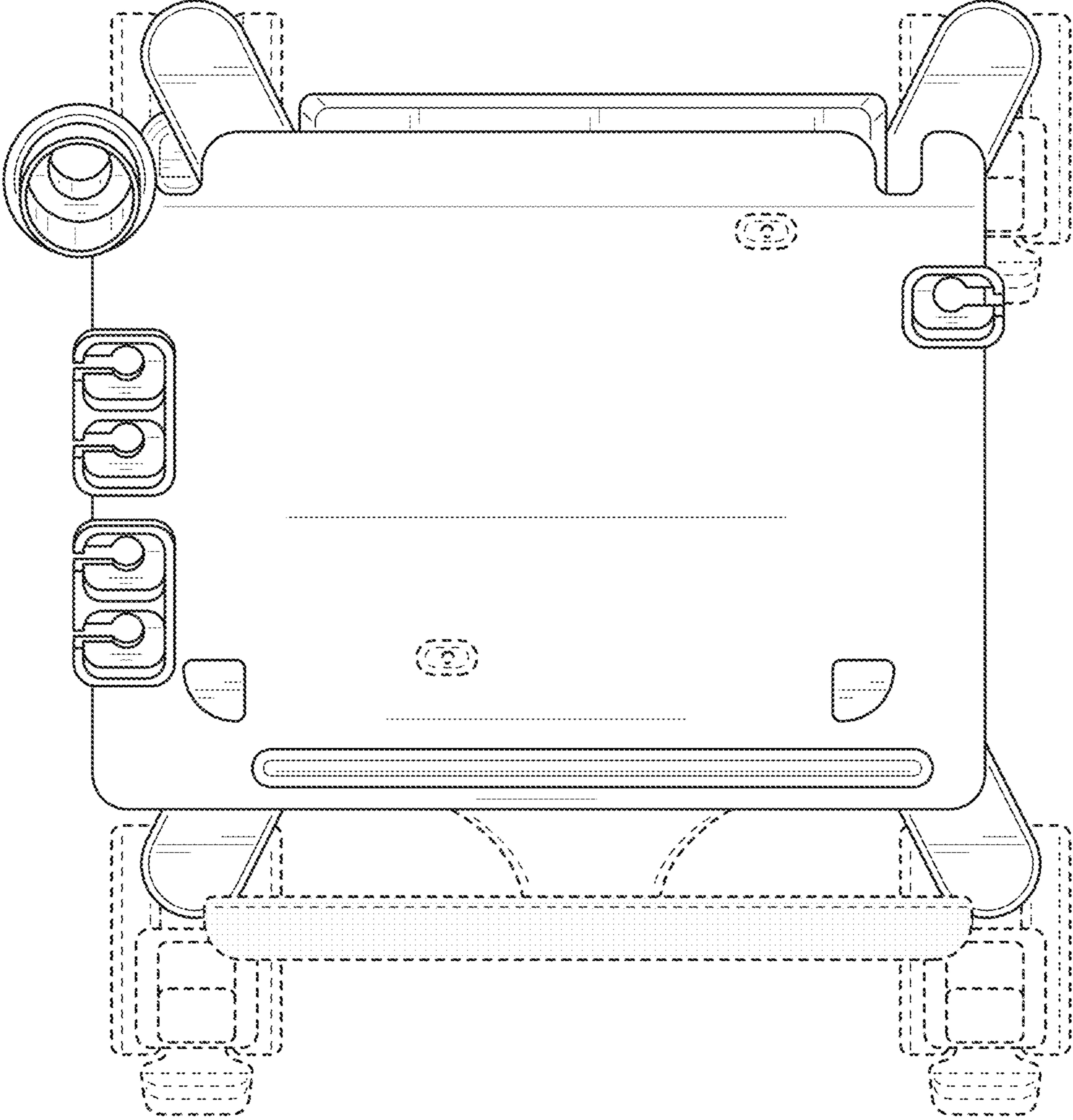


FIG. 5

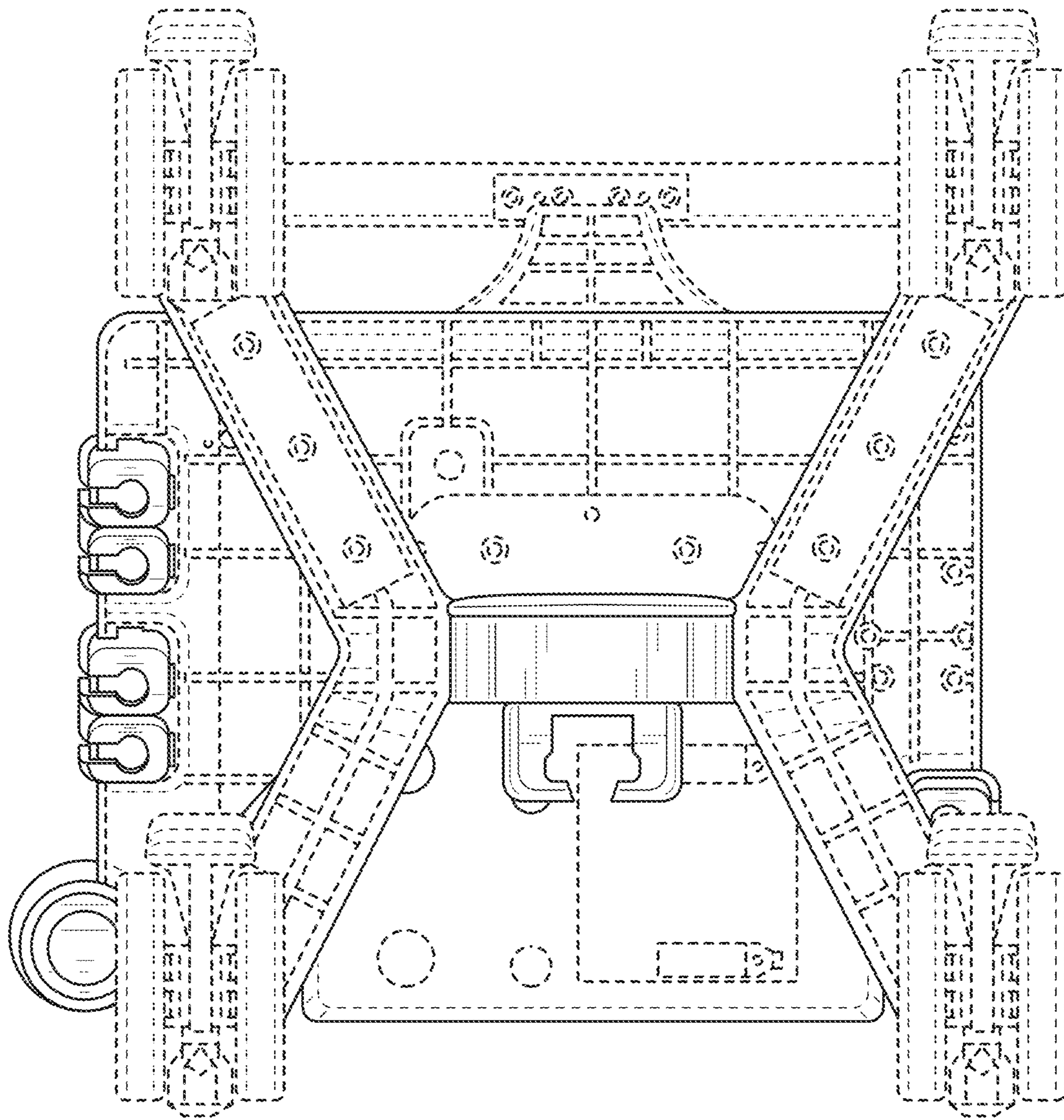


FIG. 6

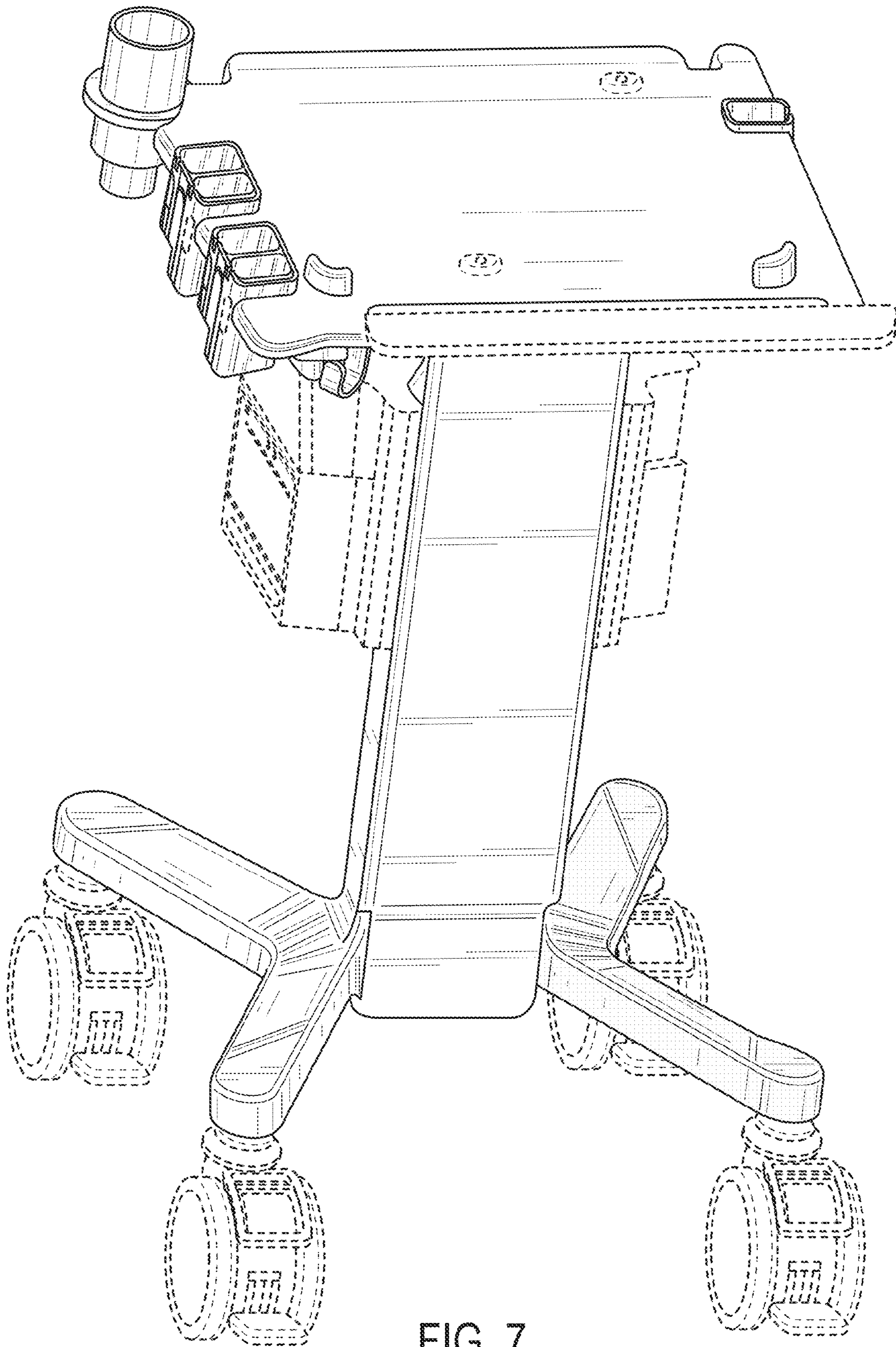


FIG. 7