

US00D806339S

(12) **United States Design Patent** (10) **Patent No.:** **US D806,339 S**  
**Bowen** (45) **Date of Patent:** **\*\* Dec. 26, 2017**

(54) **TRASH RECEPTACLE**  
(71) Applicant: **Art Design Works LLC**, Lexington, MA (US)  
(72) Inventor: **Allen Bowen**, Beverly, MA (US)  
(73) Assignee: **Art Design Works LLC**, Lexington, MA (US)  
(\*\*) Term: **15 Years**  
(21) Appl. No.: **29/569,707**  
(22) Filed: **Jun. 29, 2016**  
(51) **LOC (10) Cl.** ..... **09-09**  
(52) **U.S. Cl.**  
USPC ..... **D34/10**  
(58) **Field of Classification Search**  
USPC ..... D34/1, 2, 3, 4, 5, 6, 7, 8, 9, 10, 11, 12, D34/13, 14, 17, 19, 20, 21, 22, 25; 220/255, 495, 500, 625, 262, 263, 264, 220/908, 908.1, 909, 910, 911, 318, 324, 220/772, 776, 826, 254.3; 232/43.1-43.5; 210/526, 131; 43/55; D19/65, 75, 95, D19/100; D9/434, 435, 418, 414, 415, D9/624, 500, 457, 456, 447, 446; D7/392, 392.1, 624.1; D8/323, 324, 325, D8/326, 327, 328, 329; 294/68.2  
CPC ..... B65F 1/16; Y10S 220/908; E05D 3/02; E05D 11/00; E05D 13/12; E05D 1/00; E05D 2011/0072; E05D 5/10  
See application file for complete search history.

1,503,367 A \* 7/1924 Kendall ..... A45C 13/005  
220/826  
1,753,500 A \* 4/1930 Burleigh ..... B65F 1/16  
220/826  
1,890,194 A \* 12/1932 Punte ..... B65D 43/161  
220/254.3  
1,894,575 A \* 1/1933 Sherman ..... B65D 43/161  
220/254.3  
4,558,799 A \* 12/1985 Hammond ..... B65F 1/1646  
220/826

(Continued)

**OTHER PUBLICATIONS**

Shopladder "Landscape Perforated Trash Receptacle w Hinged Lid", www.Shopladders.com. May 1, 2017. shown in p. 1, Item WR-10R CVR BLK.\*

*Primary Examiner* — Cynthia Ramirez  
*Assistant Examiner* — Michael Maharajh  
(74) *Attorney, Agent, or Firm* — Wolf, Greenfield & Sacks, P.C.

(57) **CLAIM**

The ornamental design for a trash receptacle, as shown and described.

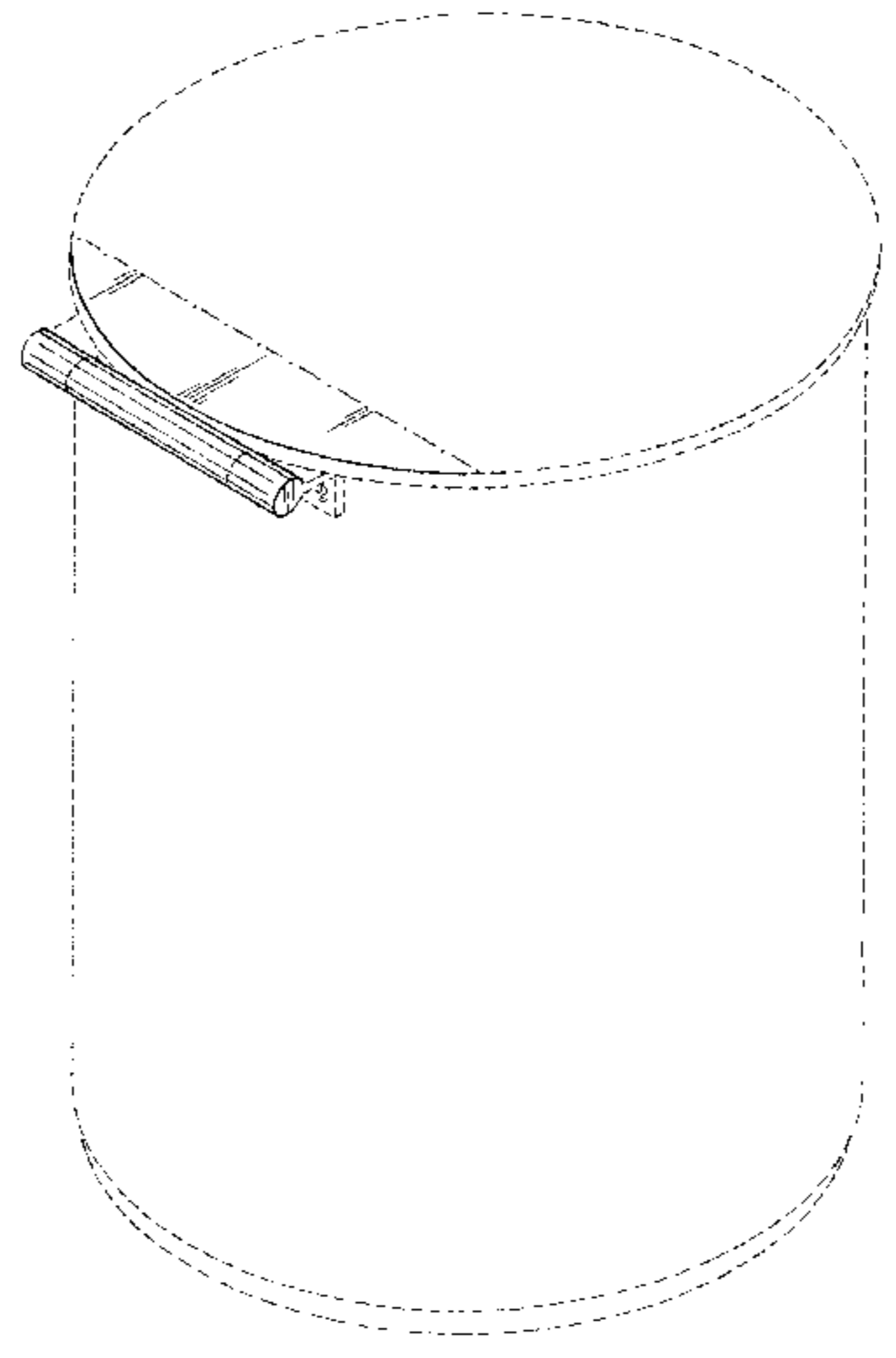
**DESCRIPTION**

FIG. 1 is a top, rear, left side perspective view of a trash receptacle showing our new design;  
FIG. 2 is a front elevation view thereof;  
FIG. 3 is a rear elevation view thereof;  
FIG. 4 is a left side elevation view thereof;  
FIG. 5 is a right side elevation view thereof;  
FIG. 6 is a top plan view thereof; and,  
FIG. 7 is a bottom plan view thereof.

The dash-dash broken lines represent portions of the trash receptacle that form no part of the claimed design. The dot-dash broken lines represent boundaries of the claimed design that form no part of the claimed design.

**1 Claim, 7 Drawing Sheets**

(56) **References Cited**  
U.S. PATENT DOCUMENTS  
520,505 A \* 5/1894 Upton ..... B65D 47/40  
220/826  
621,559 A \* 3/1899 Ebert et al. .... B07B 1/02  
220/826  
1,408,387 A \* 2/1922 Nichols ..... A47J 36/12  
220/826



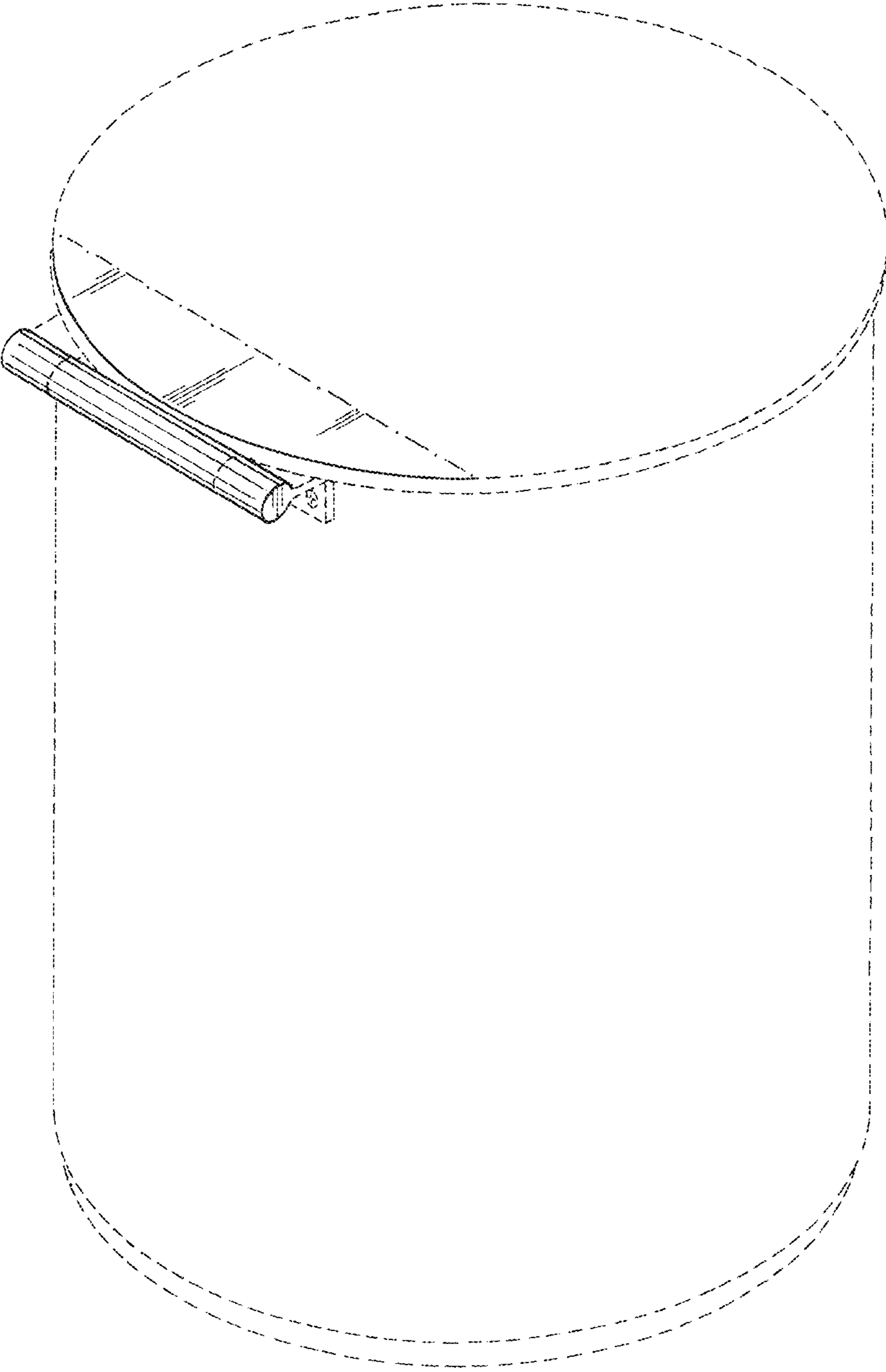
(56)

**References Cited**

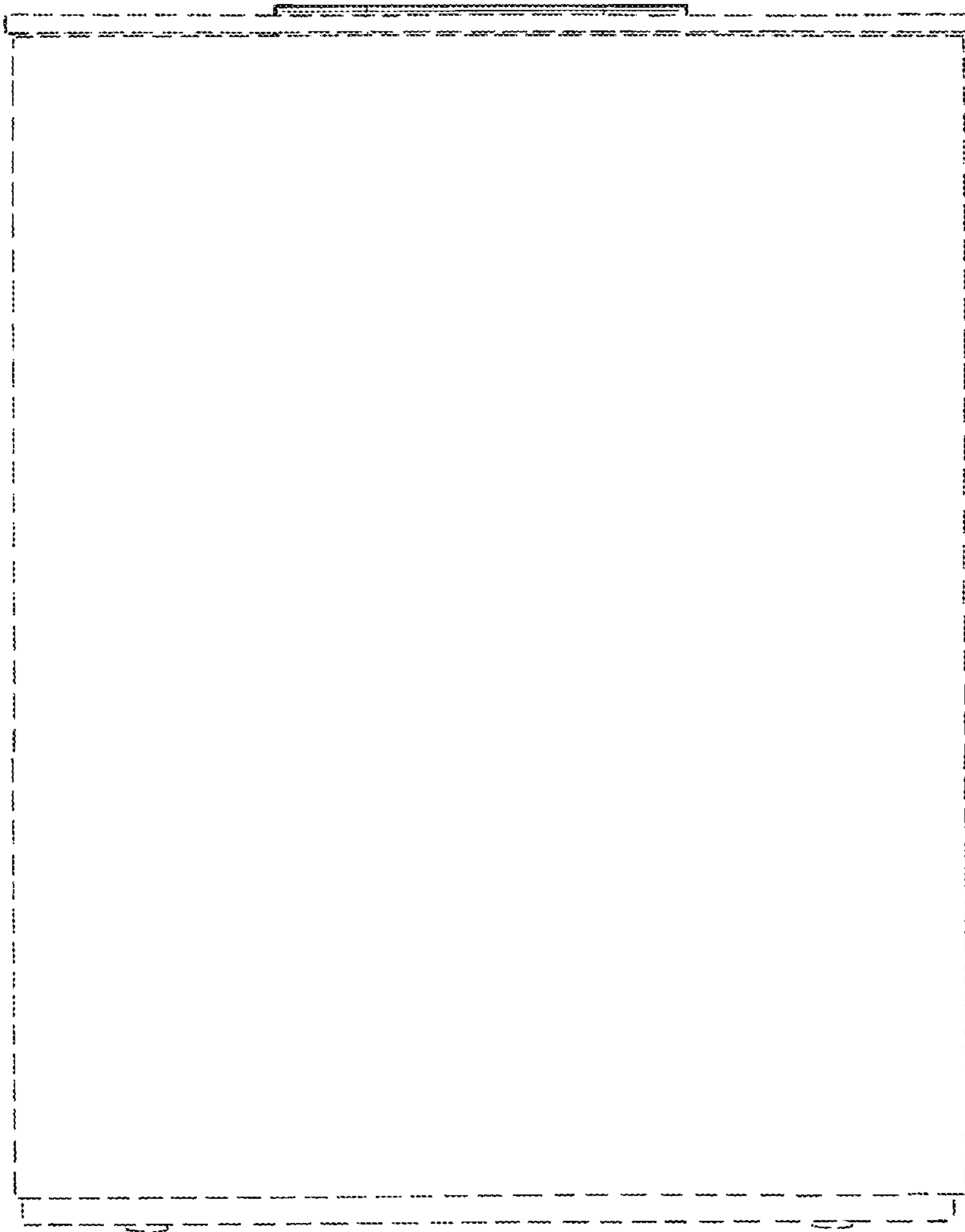
U.S. PATENT DOCUMENTS

4,935,129 A \* 6/1990 Wang ..... B01D 35/02  
220/826  
5,423,448 A \* 6/1995 Pedigo ..... B65F 1/122  
220/826  
7,150,380 B2 \* 12/2006 Hoepner ..... B65D 43/169  
220/254.3  
D554,322 S \* 10/2007 Pollack ..... D34/7  
2003/0201265 A1 \* 10/2003 Lin ..... B65F 1/1607  
220/908

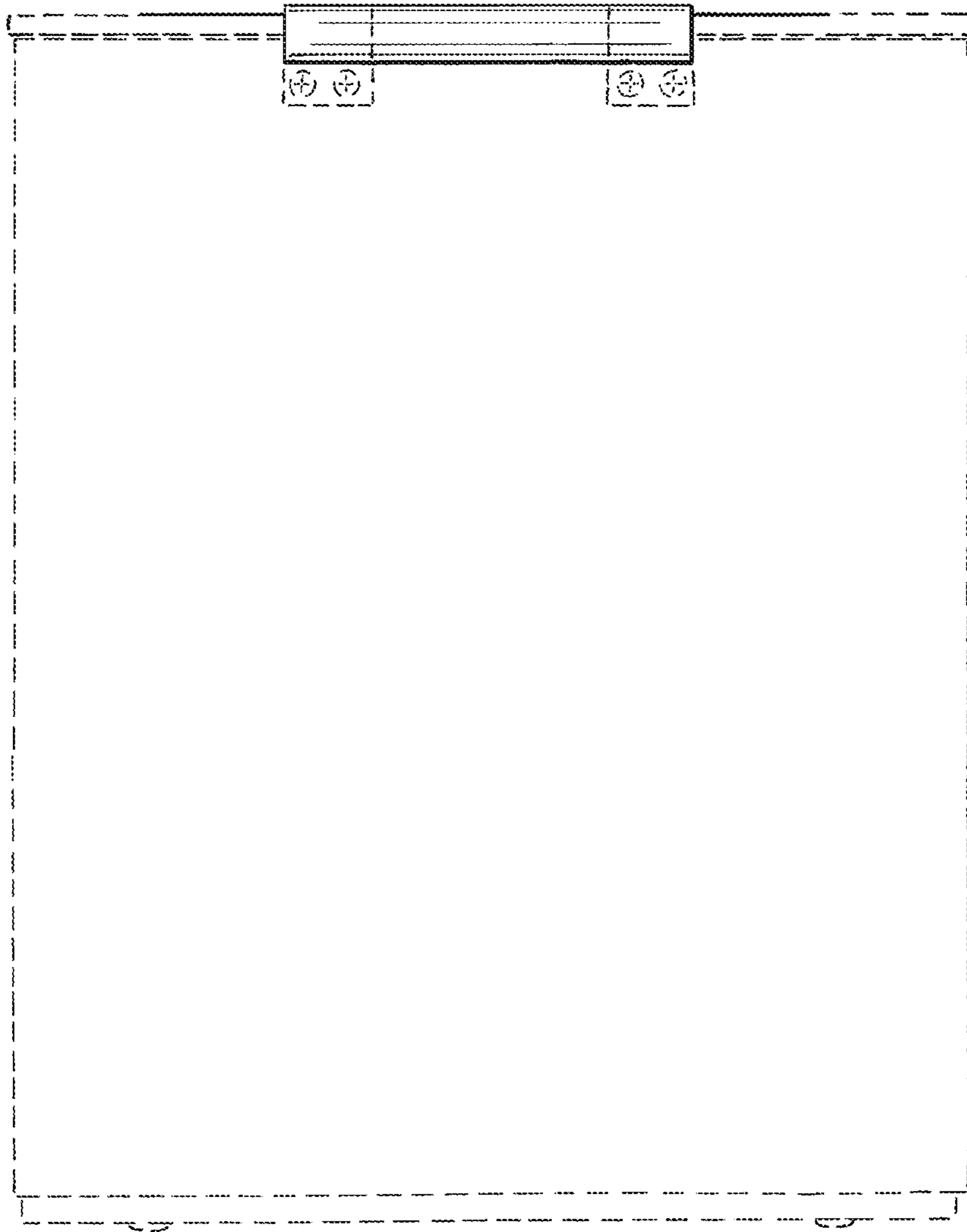
\* cited by examiner



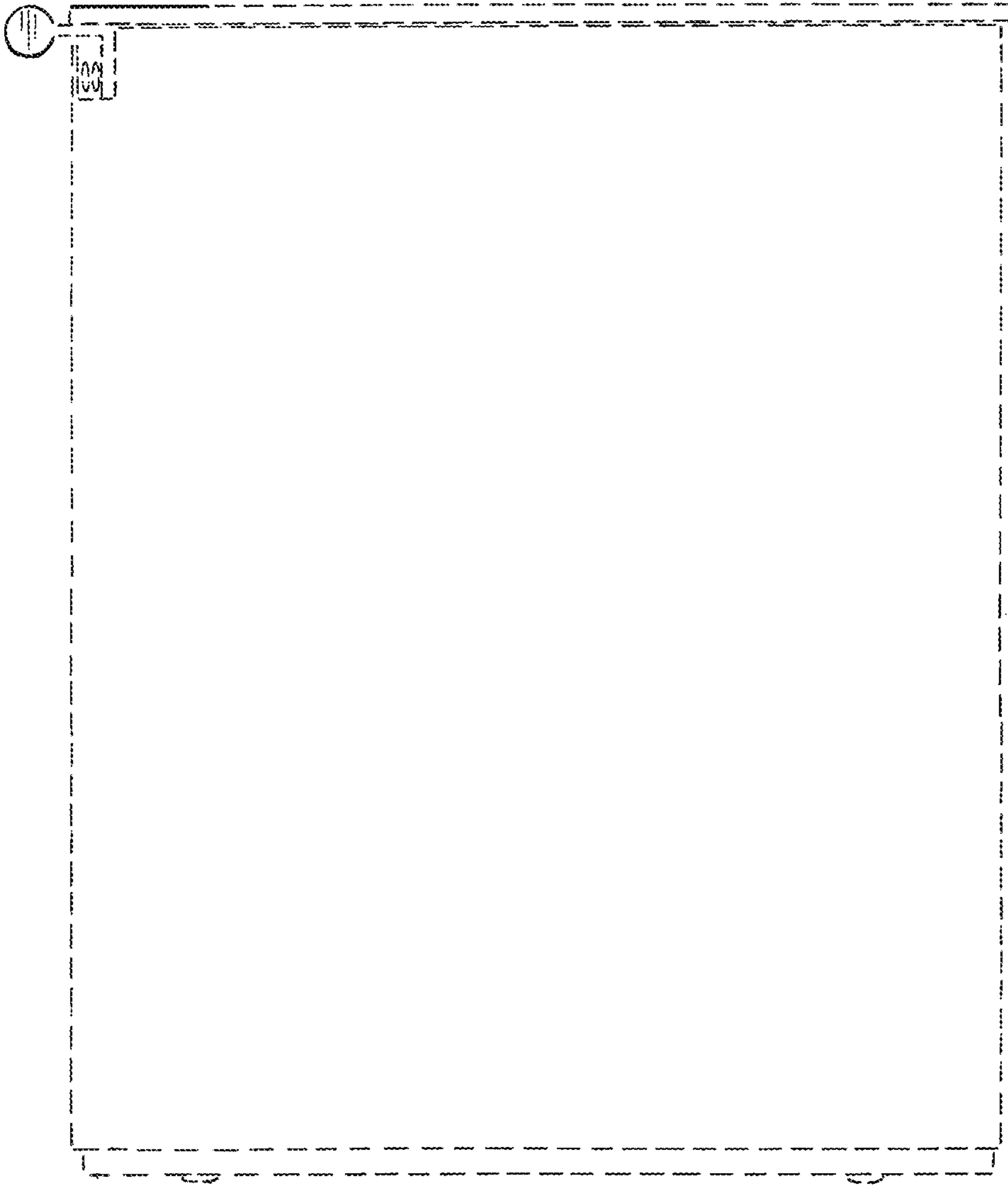
*Fig. 1*



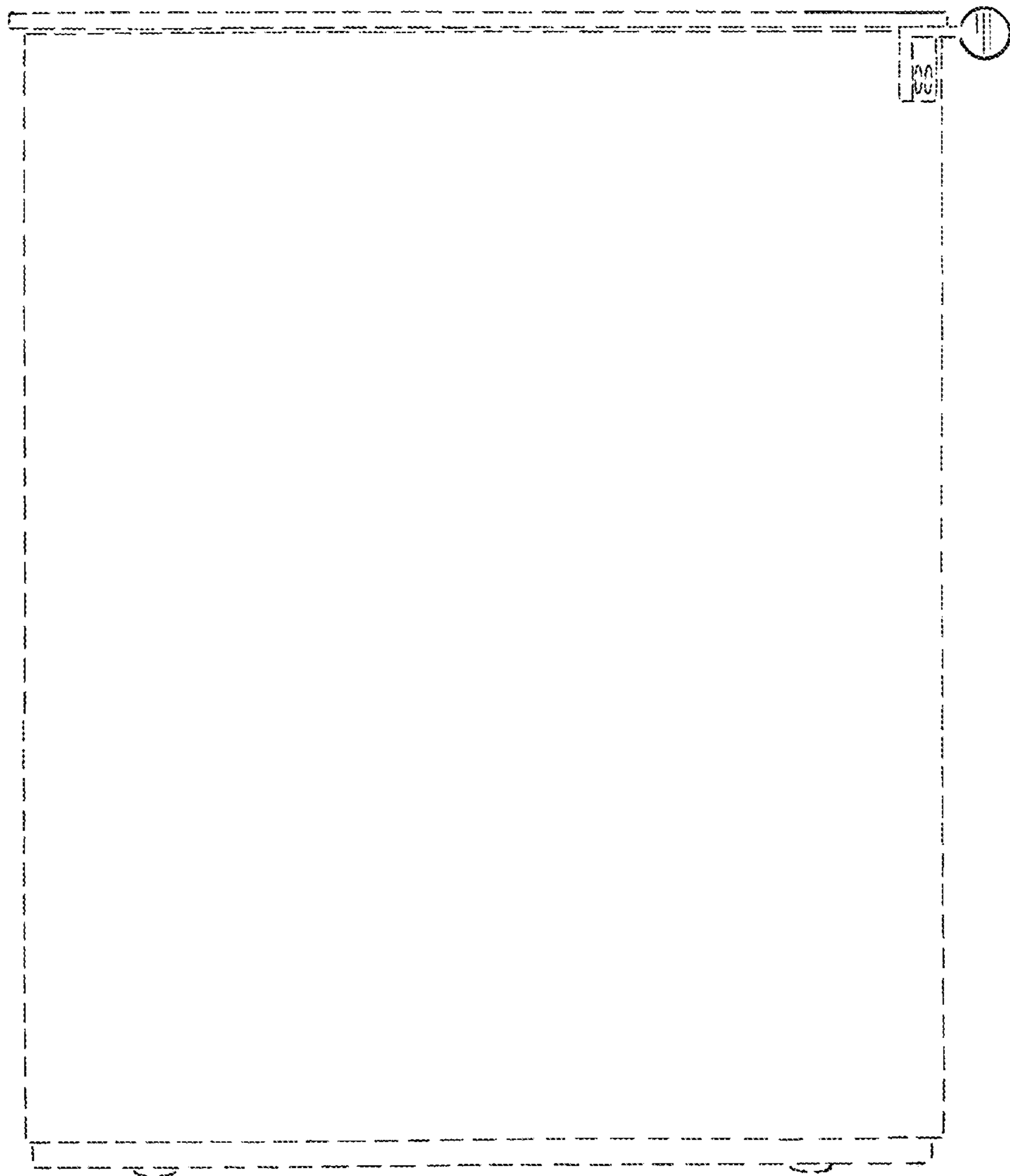
*Fig. 2*



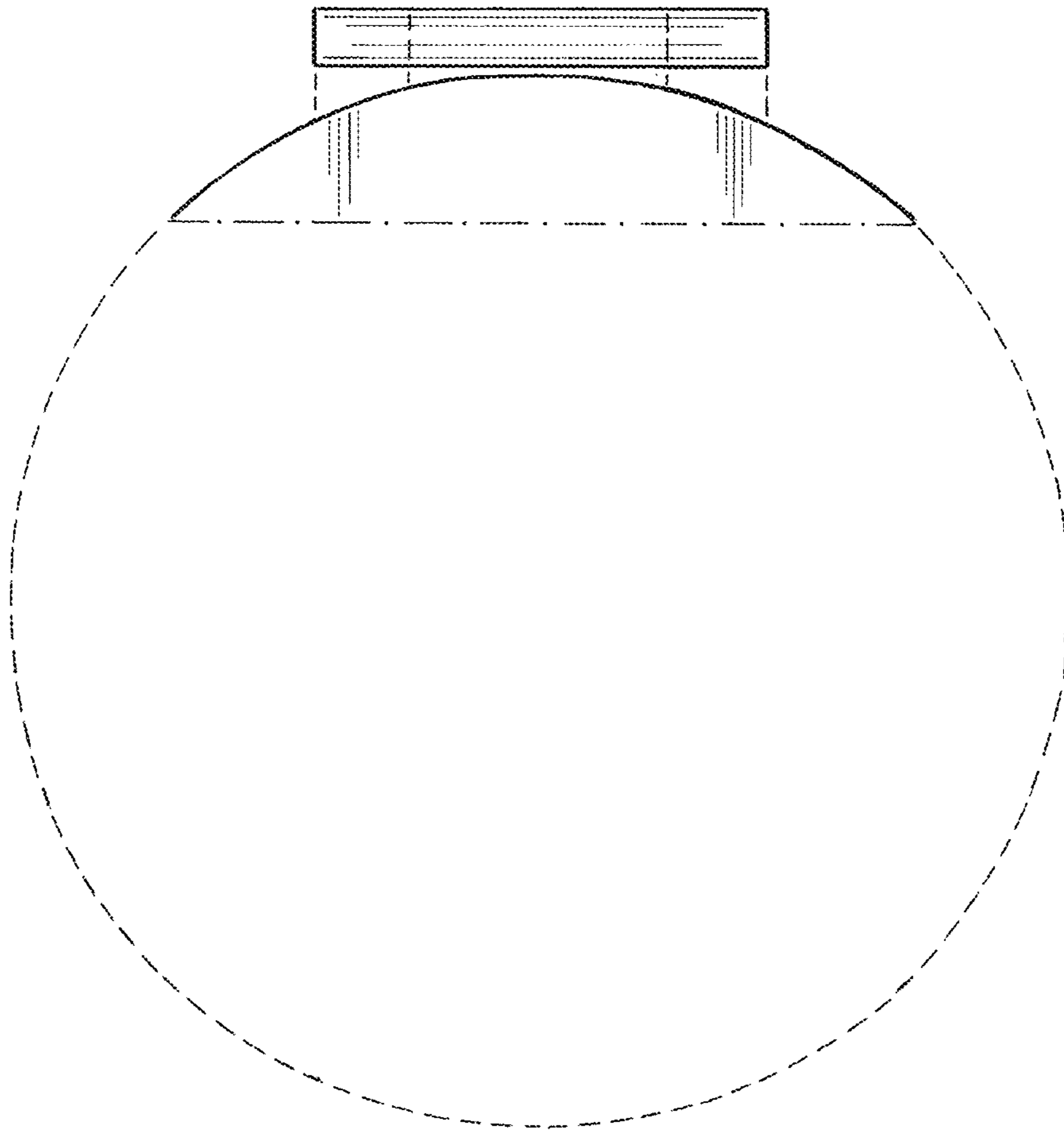
*Fig. 3*



*Fig. 4*

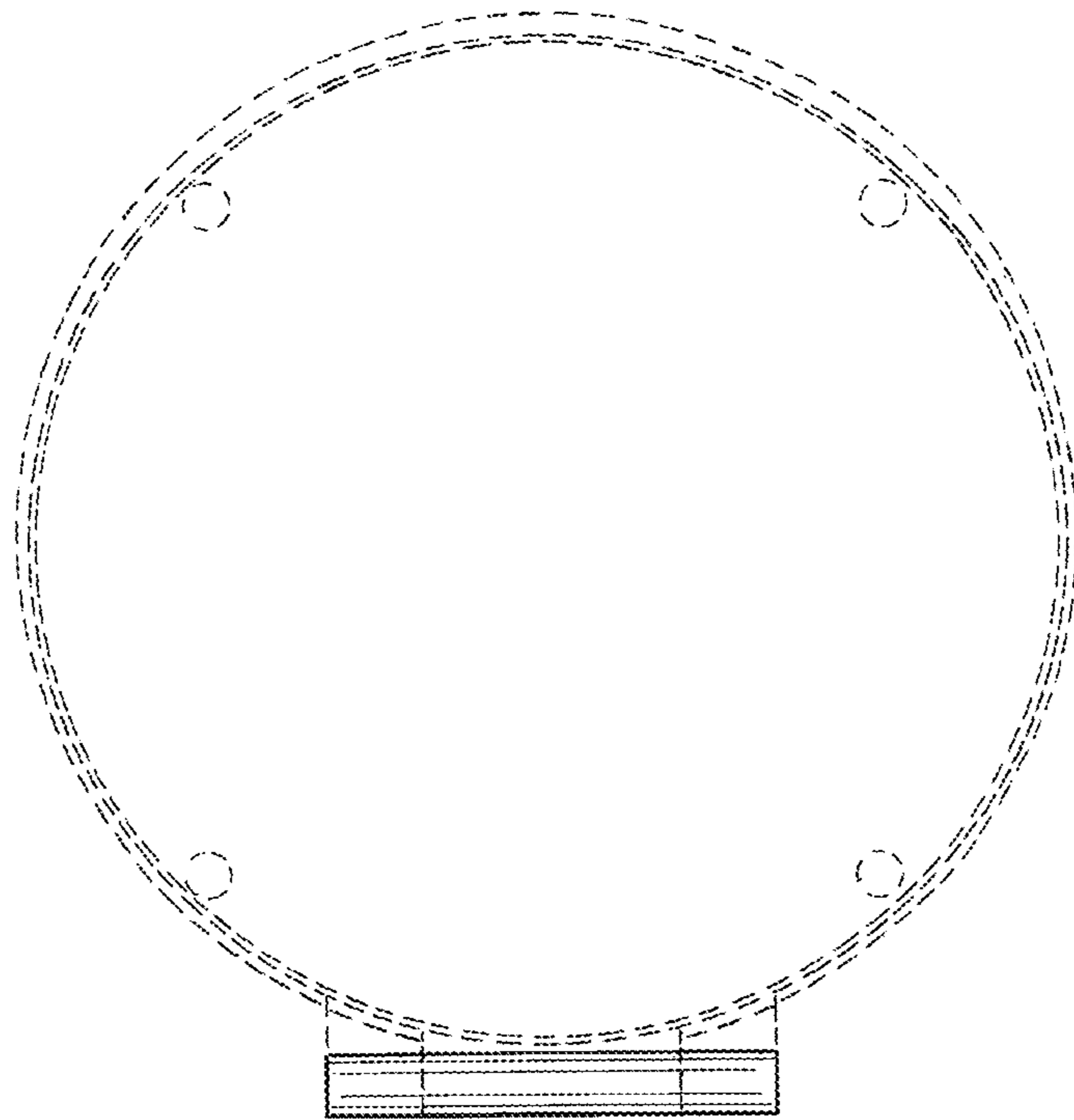


*Fig. 5*



*Fig. 6*





*Fig. 7*