



US00D806338S

(12) **United States Design Patent** (10) **Patent No.:** **US D806,338 S**
Metzel et al. (45) **Date of Patent:** **** Dec. 26, 2017**

(54) **SPRAY MOP**

FOREIGN PATENT DOCUMENTS

(71) Applicant: **Freudenberg Household Products LP**,
Aurora, IL (US)

AT 4321 2000-00 01 * 1/2001

(72) Inventors: **Doug Metzel**, Berwyn, IL (US); **Eric Wehrli**, Oswego, IL (US)

OTHER PUBLICATIONS

(73) Assignee: **Freudenberg Household Products LP**,
Aurora, IL (US)

Amazon.com—HAAN SS-22A Multiforce Plus, oldest review 2016, https://www.amazon.com/HAAN-SS-22A-Multiforce-Certified-Refurbished/dp/B010TRP6E1/ref=sr_1_85?ie=UTF8&qid=1488759593&sr=8-85&keywords=mop+head, site visited Mar. 5, 2017.*

(**) Term: **15 Years**

Primary Examiner — John Windmuller

(21) Appl. No.: **29/548,417**

Assistant Examiner — John R Yeh

(22) Filed: **Dec. 14, 2015**

(74) *Attorney, Agent, or Firm* — Leydig, Voit & Mayer, Ltd.

(51) **LOC (10) Cl.** **07-05**

(57) **CLAIM**

(52) **U.S. Cl.**

The ornamental design for a spray mop, as shown and described.

USPC **D32/45**

(58) **Field of Classification Search**

DESCRIPTION

USPC D32/40–45, 50–52

CPC A47L 13/02; A47L 13/22; A47L 13/24;

A47L 13/26

See application file for complete search history.

FIG. 1 is a perspective view taken from the front and right side of a spray mop showing a first configuration of our new design;

(56) **References Cited**

U.S. PATENT DOCUMENTS

D428,226 S *	7/2000	Kunkler	D32/45
D458,427 S *	6/2002	Kunkler	D32/45
D487,174 S *	2/2004	Colman	D32/45
D515,759 S *	2/2006	Fischer	D32/45
D544,668 S *	6/2007	Harper	D32/51
D549,414 S *	8/2007	Van Lanningham, Jr.	D32/50
D591,921 S *	5/2009	Rosenzweig	A47L 13/225
				D32/45
D597,269 S *	7/2009	McNeil	D32/45
D599,517 S *	9/2009	Vrdoljak	A47L 13/225
				D32/40
D602,218 S *	10/2009	Koenig	D32/40
D657,928 S *	4/2012	Byrne	D32/50
D659,924 S *	5/2012	McGee	D32/45

(Continued)

FIG. 2 is a right side elevation view of the spray mop shown in FIG. 1;

FIG. 3 is a left side elevation view of the spray mop shown in FIG. 1;

FIG. 4 is a front elevational view of the spray mop shown in FIG. 1;

FIG. 5 is a rear elevational view of the spray mop shown in FIG. 1;

FIG. 6 is a top plan view of the spray mop shown in FIG. 1;

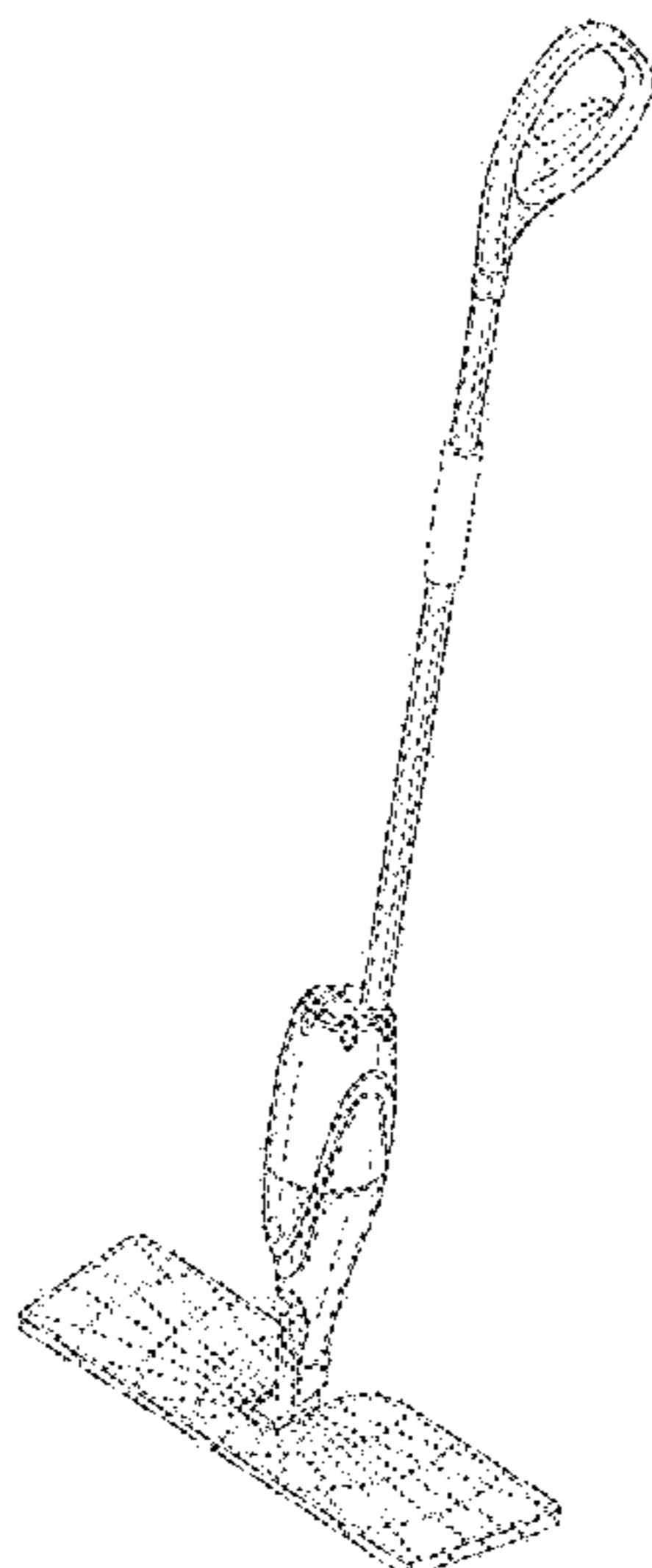
FIG. 7 is a bottom view of the spray mop shown in FIG. 1;

FIG. 8 is a bottom view of the spray mop in use that includes a mop covering disposed over a mop plate; and,

FIG. 9 is a perspective view taken from the front and right side of the spray mop in a third configuration.

The broken lines in the figures illustrate portions of the spray mop that form no part of the claimed design.

1 Claim, 8 Drawing Sheets



(56)

References Cited

U.S. PATENT DOCUMENTS

D661,035 S * 5/2012 McGee D32/45
D672,107 S * 12/2012 Van Landingham, Jr. D32/50
D673,337 S * 12/2012 Chow D32/45
D685,966 S * 7/2013 Houghton D32/45
D699,011 S * 2/2014 deBlois D32/45
D747,054 S * 1/2016 Seifts D32/45
2002/0166573 A1* 11/2002 Policicchio A47L 13/20
134/6
2011/0158740 A1* 6/2011 Kandasamy A47L 13/22
401/270
2013/0160228 A1* 6/2013 Kaminer A47L 13/20
15/209.1
2015/0128371 A1* 5/2015 Zorzo A47L 13/254
15/228
2016/0345794 A1* 12/2016 Zhu A47L 13/42

* cited by examiner

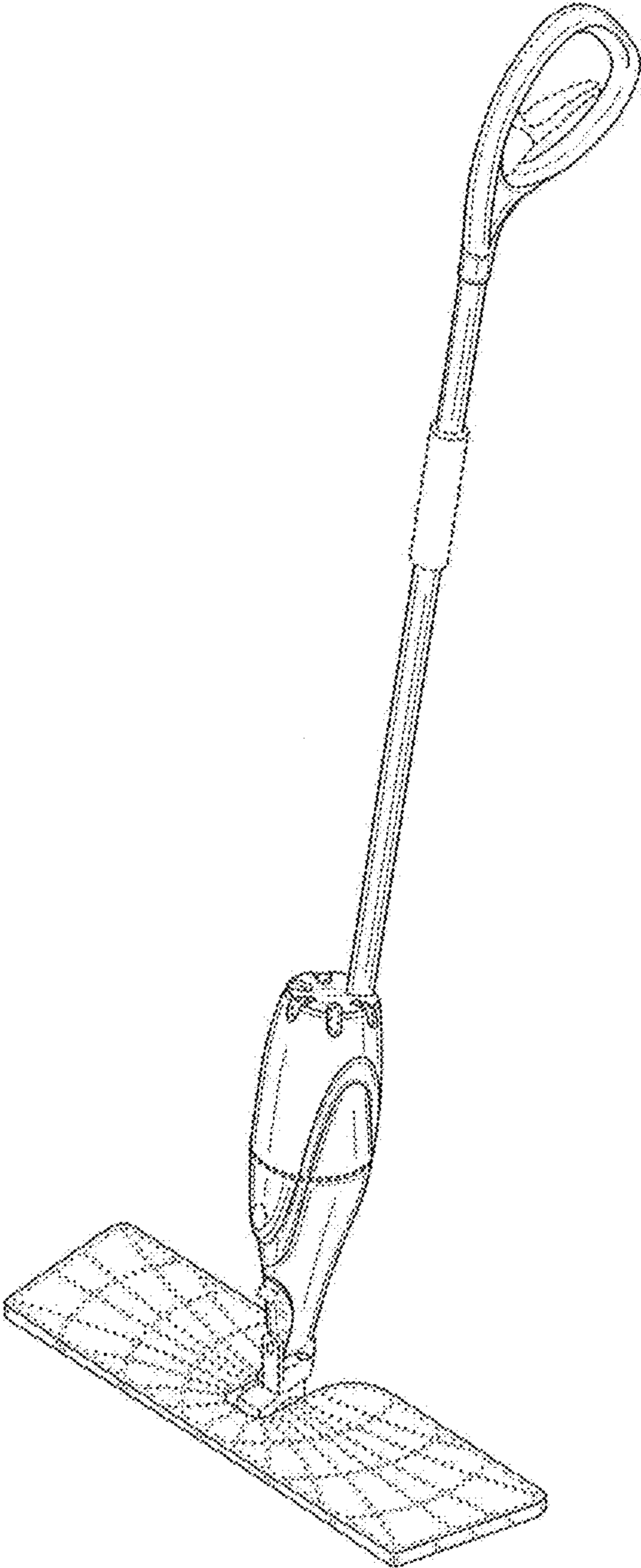


FIG. 1

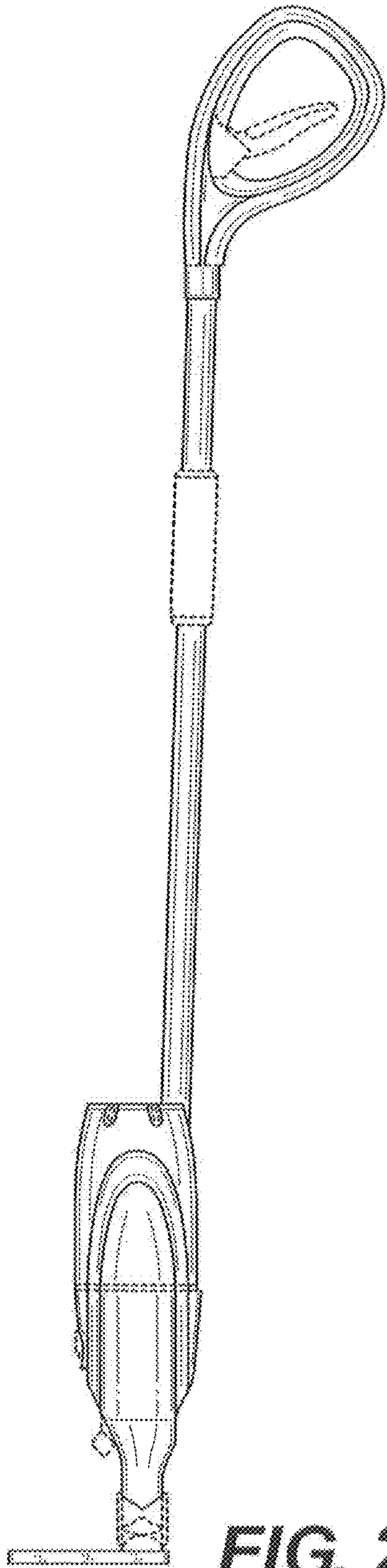


FIG. 2

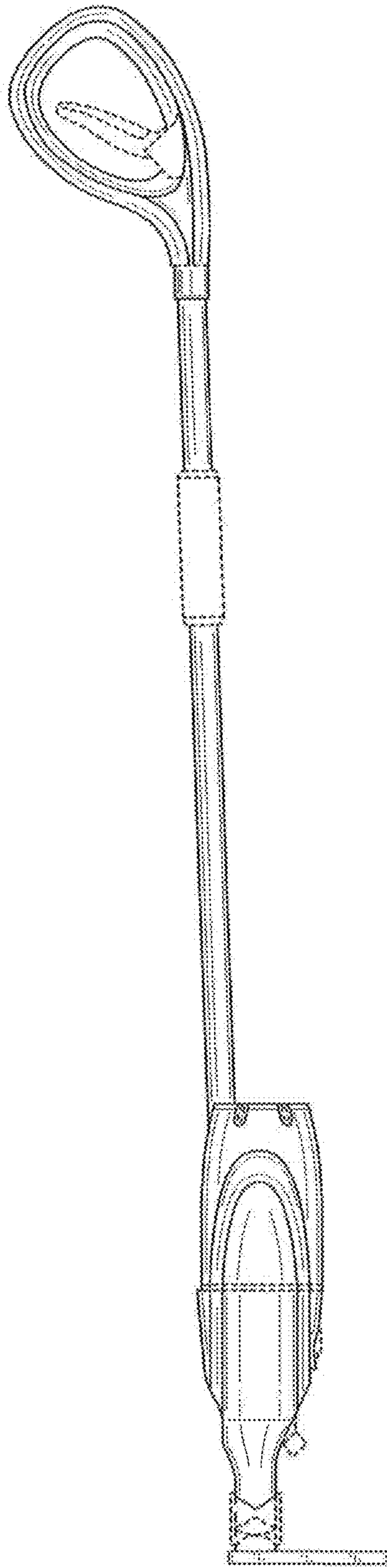


FIG. 3

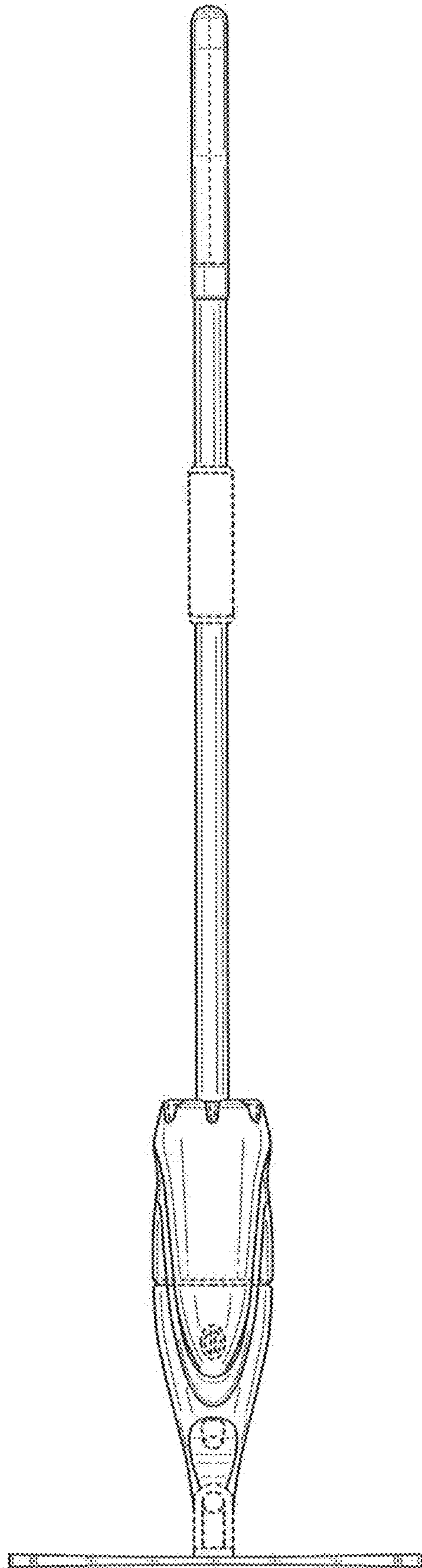


FIG. 4

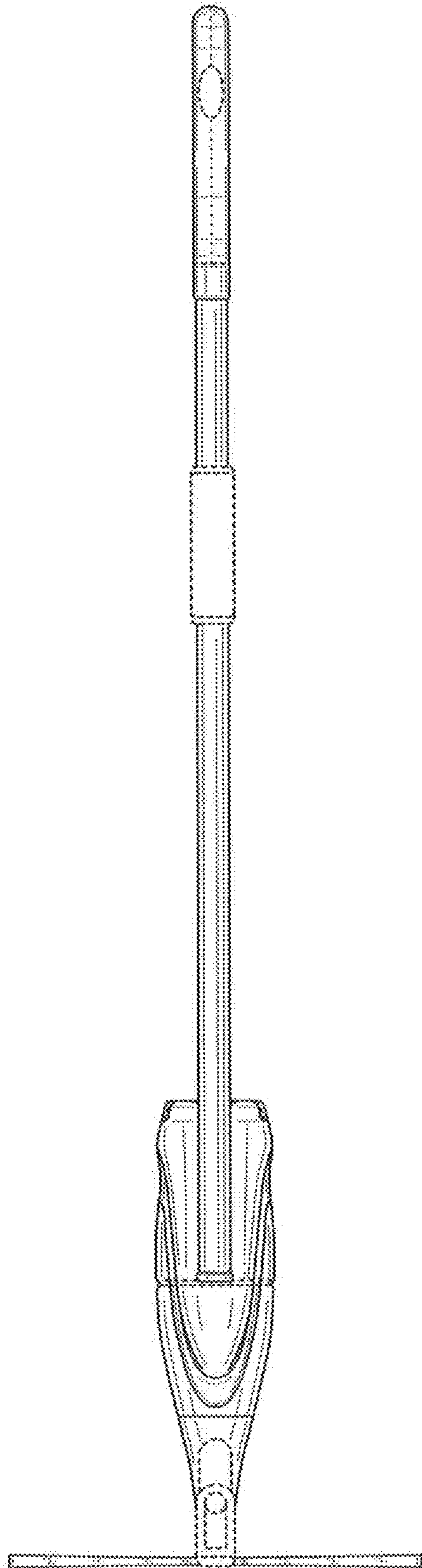


FIG. 5

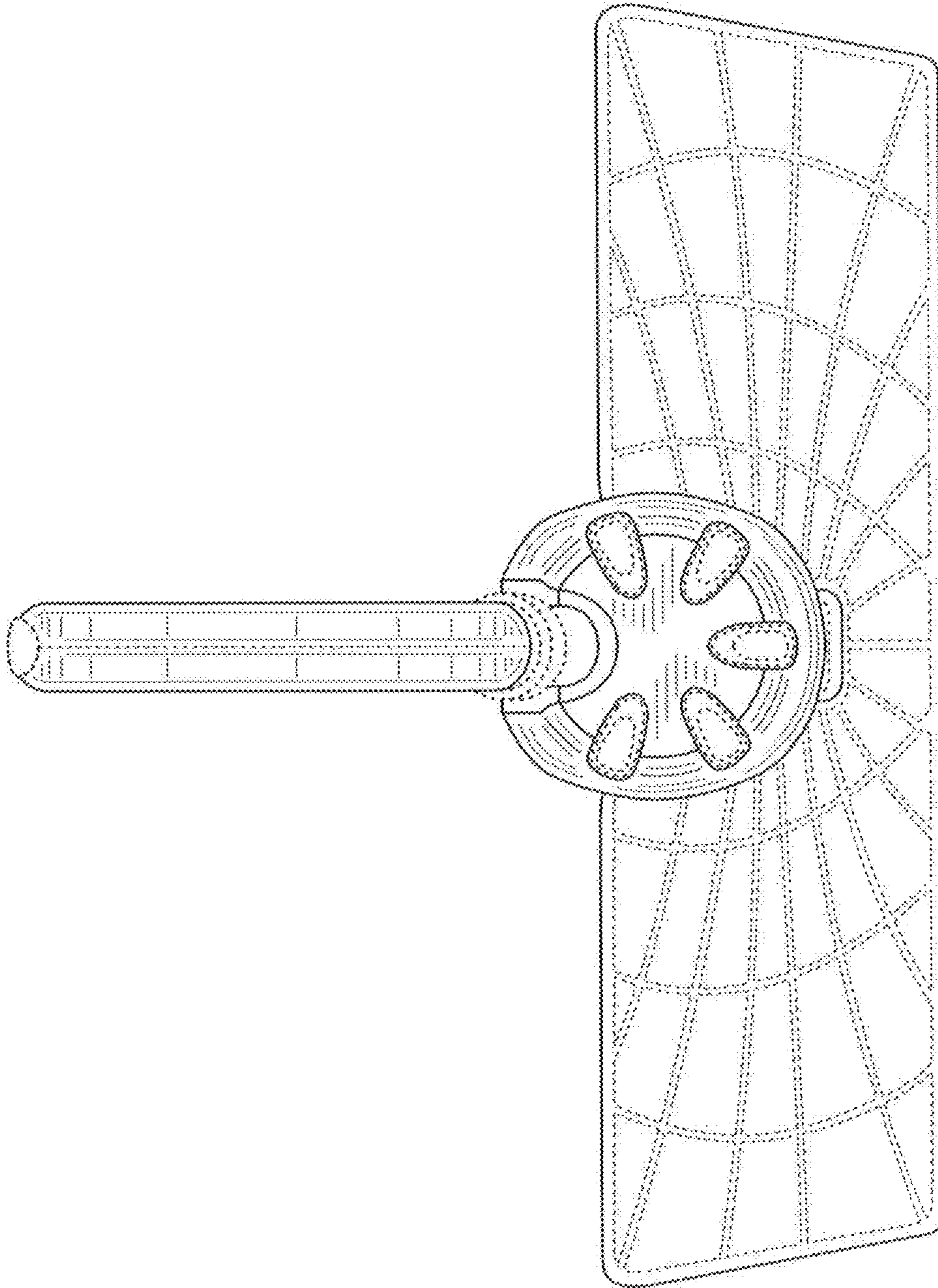


FIG. 6

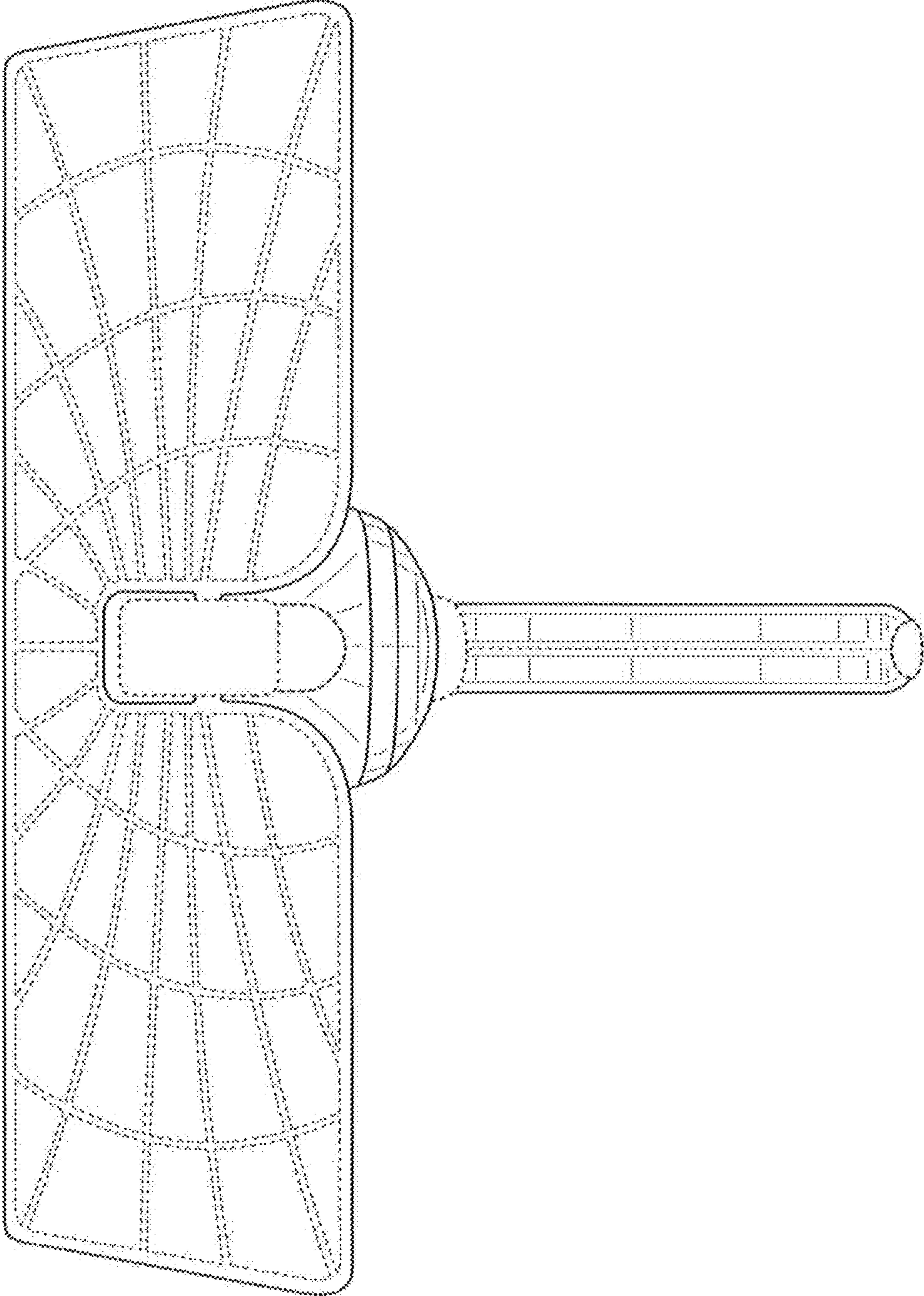


FIG. 7

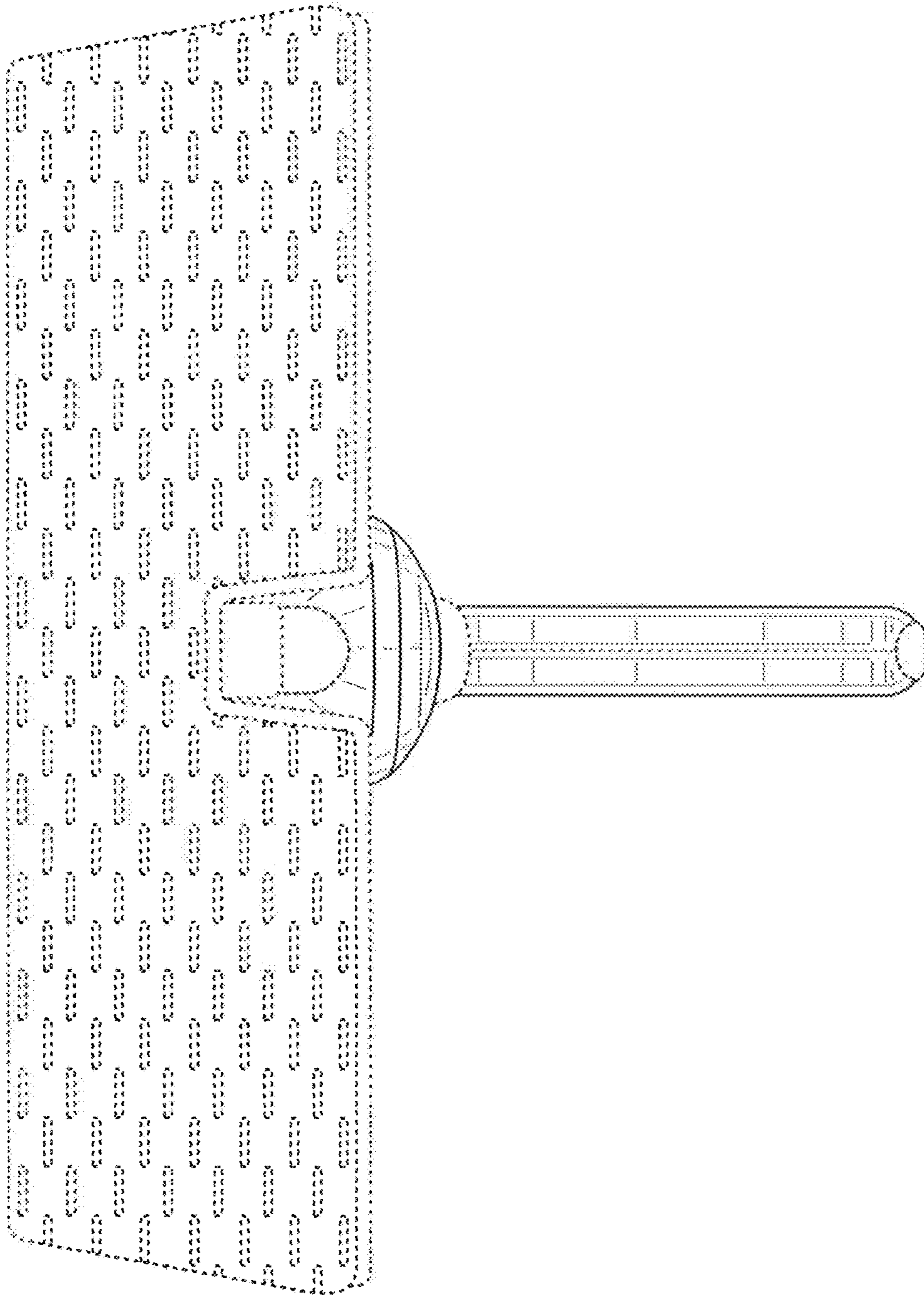


FIG. 8

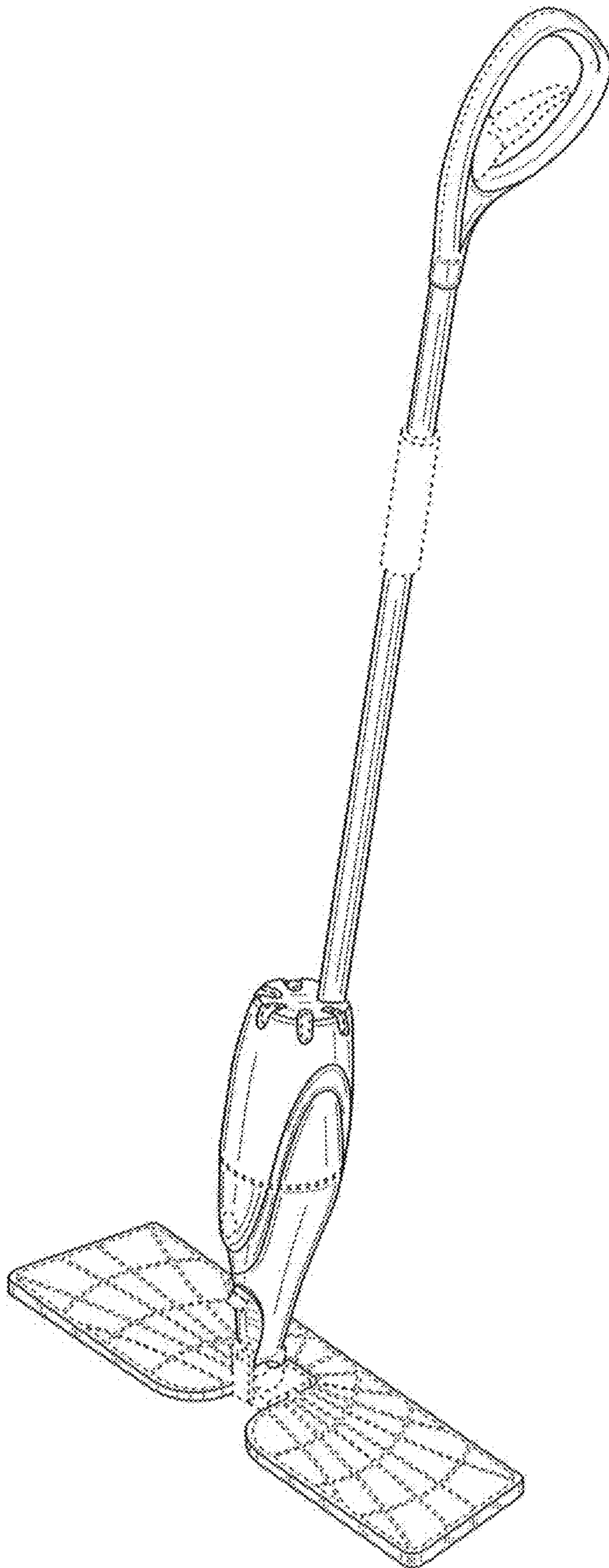


FIG. 9