



US00D806337S

(12) **United States Design Patent** (10) **Patent No.:** **US D806,337 S**
Chaffee et al. (45) **Date of Patent:** **** Dec. 26, 2017**

(54) **CLIP FOR A CLEANING TOOL**

D738,714 S * 9/2015 Kuhmichel D8/397
D739,224 S * 9/2015 Hayman D8/396
2011/0114110 A1* 5/2011 Guthans A45D 2/00
132/211

(71) Applicant: **3M INNOVATIVE PROPERTIES COMPANY**, St. Paul, MN (US)

(Continued)

(72) Inventors: **Matthew D. Chaffee**, Minneapolis, MN (US); **Mark W. Baldwin**, Woodbury, MN (US)

FOREIGN PATENT DOCUMENTS

KR 300698337.0000 * 7/2013

(73) Assignee: **3M INNOVATIVE PROPERTIES COMPANY**, St. Paul, MN (US)

OTHER PUBLICATIONS

(**) Term: **15 Years**

Amazon.com: Honbay Pack of 3 Bottle Brushes, Dismountable Long Handle Bottle Cleaning Sponge, website 2016, https://www.amazon.com/Brushes-Dismountable-Cleaning-Cleaner-Kitchen/dp/B01L3PN444/ref=sr_1_3?ie=UTF8&qid=1483476149&sr=8-3&keywords=sponge+cleaning+tool, [site visited Jan. 3, 2017 3:44:58 PM].*

(21) Appl. No.: **29/535,781**

(Continued)

(22) Filed: **Aug. 10, 2015**

(51) **LOC (10) Cl.** **07-05**

(52) **U.S. Cl.**
USPC **D32/40**

(58) **Field of Classification Search**
USPC D8/394-397; D32/35, 40-42, 51-52
CPC A45D 2/36; A45D 6/04
See application file for complete search history.

Primary Examiner — John Windmuller

Assistant Examiner — John R Yeh

(74) *Attorney, Agent, or Firm* — Irina Hass

(56) **References Cited**

(57) **CLAIM**

The ornamental design for a clip for a cleaning tool, as shown and described.

U.S. PATENT DOCUMENTS

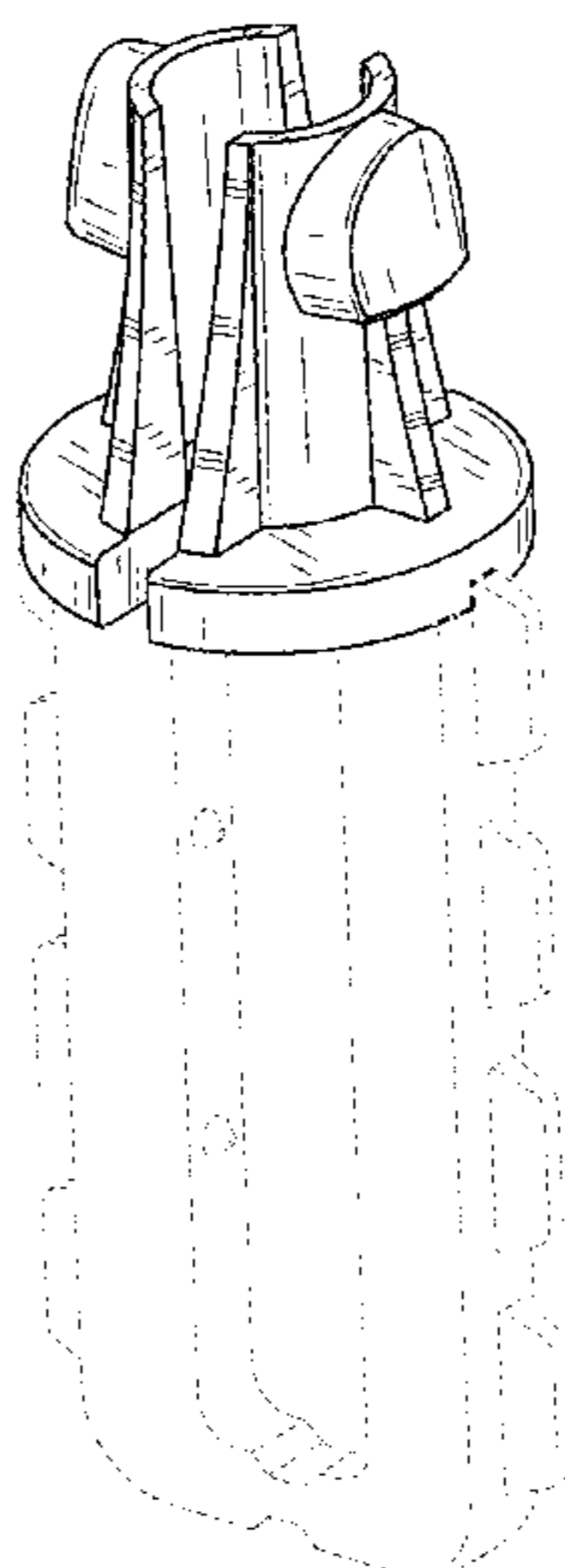
DESCRIPTION

| | | | | |
|----------------|---------|------------|-------|--------------------------|
| D22,813 S * | 9/1893 | Rouse | | 411/190 |
| 1,607,273 A * | 11/1926 | Hecht | | F16B 39/36 301/35.622 |
| D191,883 S * | 12/1961 | Wing | | D8/397 |
| D221,758 S * | 9/1971 | Mullins | | D23/262 |
| D272,473 S * | 1/1984 | Larsson | | D25/133 |
| D368,020 S * | 3/1996 | Shirai | | D8/397 |
| D400,788 S * | 11/1998 | Lin | | D32/41 |
| D416,192 S * | 11/1999 | Tu | | D8/397 |
| 7,296,382 B2 * | 11/2007 | Sack | | E04B 1/4121 294/89 |
| D591,020 S * | 4/2009 | Dotterman | | D32/35 |
| D600,546 S * | 9/2009 | Scilingo | | D8/397 |
| 8,418,700 B2 * | 4/2013 | Guthans | | A45D 2/00 132/237 |
| D684,036 S * | 6/2013 | Topping | | D8/356 |
| D720,123 S * | 12/2014 | Frydlewski | | D2/946 |

FIG. 1 is a perspective view showing a new design for a clip for a cleaning tool;
FIG. 2 is a top view thereof;
FIG. 3 is a bottom view thereof;
FIG. 4 is a left side view thereof, a right side view being a mirror image thereof; and,
FIG. 5 is a front view thereof, a rear view being a mirror image thereof.

The portions of the clip for a cleaning tool in FIGS. 1-5 shown in broken lines are included to show features that form no part of the claimed design. In the drawings, the dash-dot-dash lines represent boundaries of the claim.

1 Claim, 2 Drawing Sheets



(56)

References Cited

U.S. PATENT DOCUMENTS

2012/0248128 A1* 10/2012 Chohfi B65D 25/22
220/769
2013/0133683 A1* 5/2013 Guthans A45D 6/04
132/237
2014/0009921 A1* 1/2014 Ancona F21L 4/005
362/191
2016/0073755 A1* 3/2016 Xiao A45D 2/00
132/230

OTHER PUBLICATIONS

What's better than water Balloons . . . Sponge Balls!!!, article
reponses 2013, <http://www.instructables.com/id/Whats-better-than-water-Balloons-Sponge-Balls/>, [site visited Jan. 3, 2017
3:49:59 PM].*

* cited by examiner

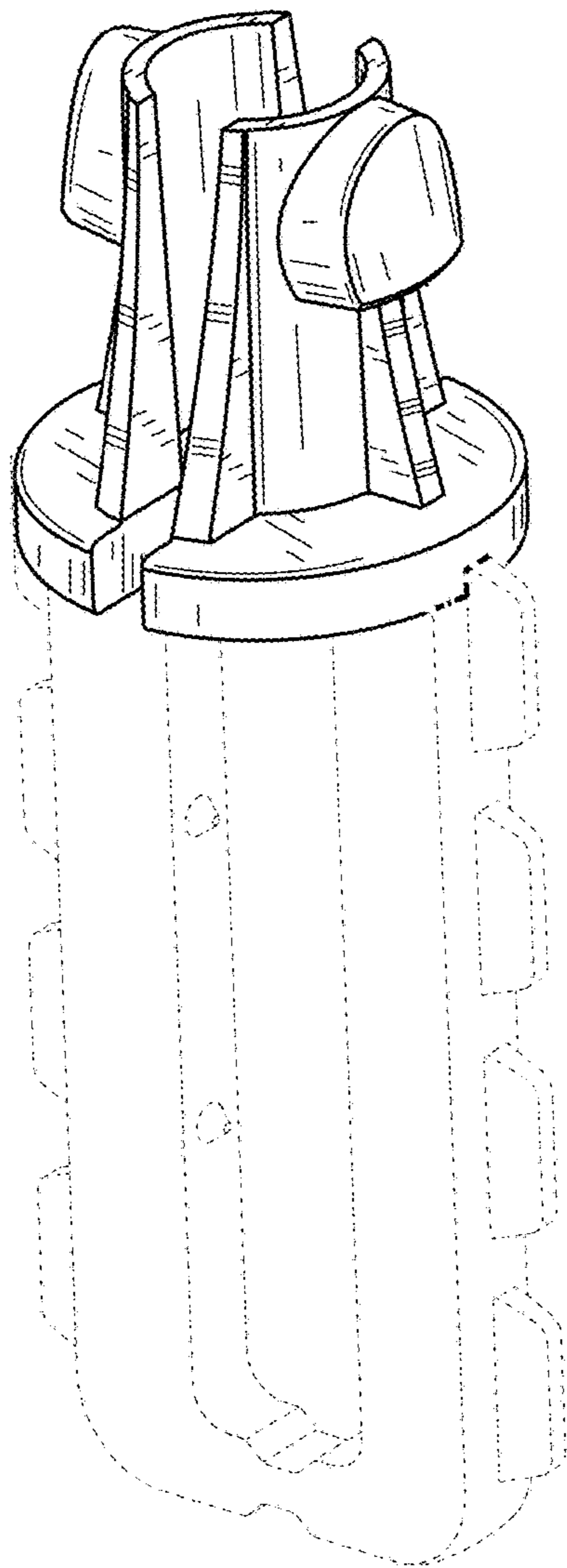


FIG. 1

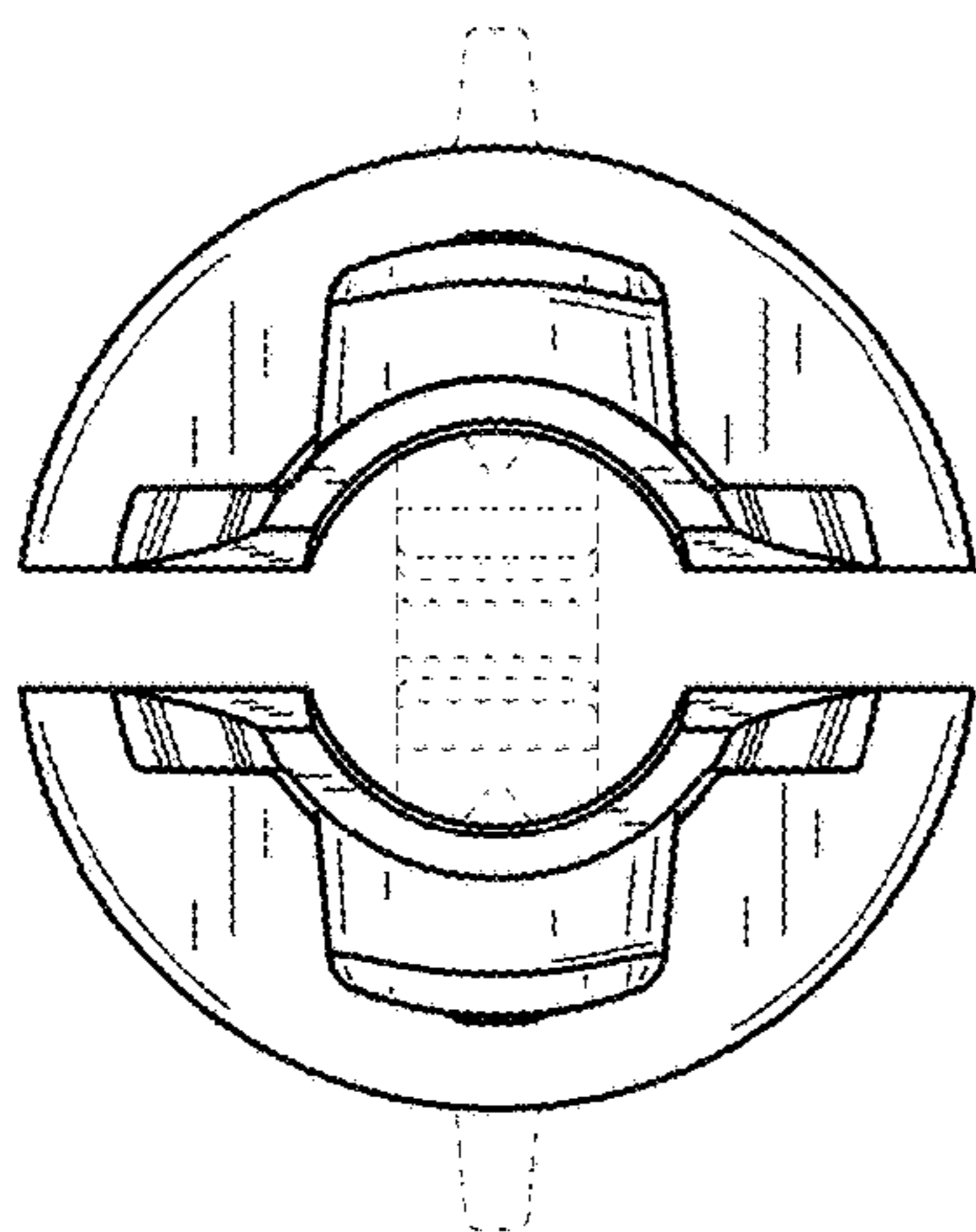


FIG. 2

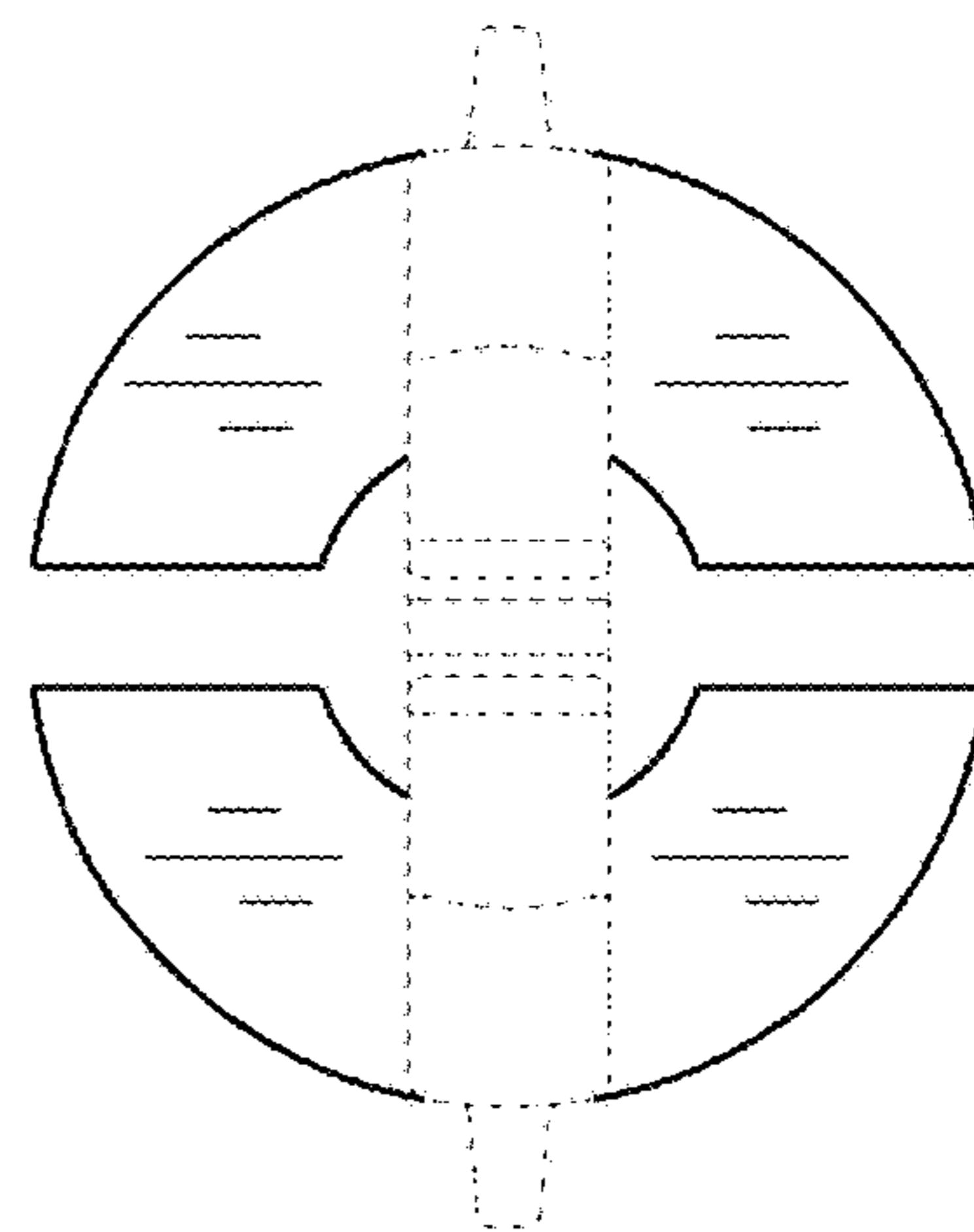


FIG. 3

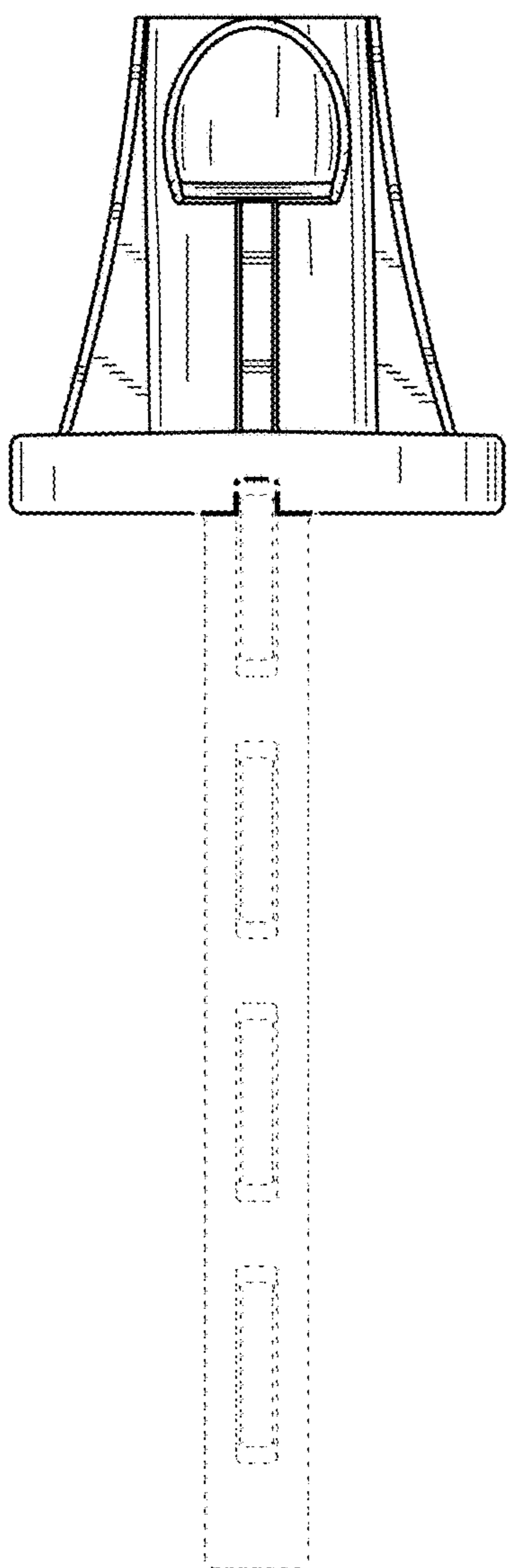


FIG. 4

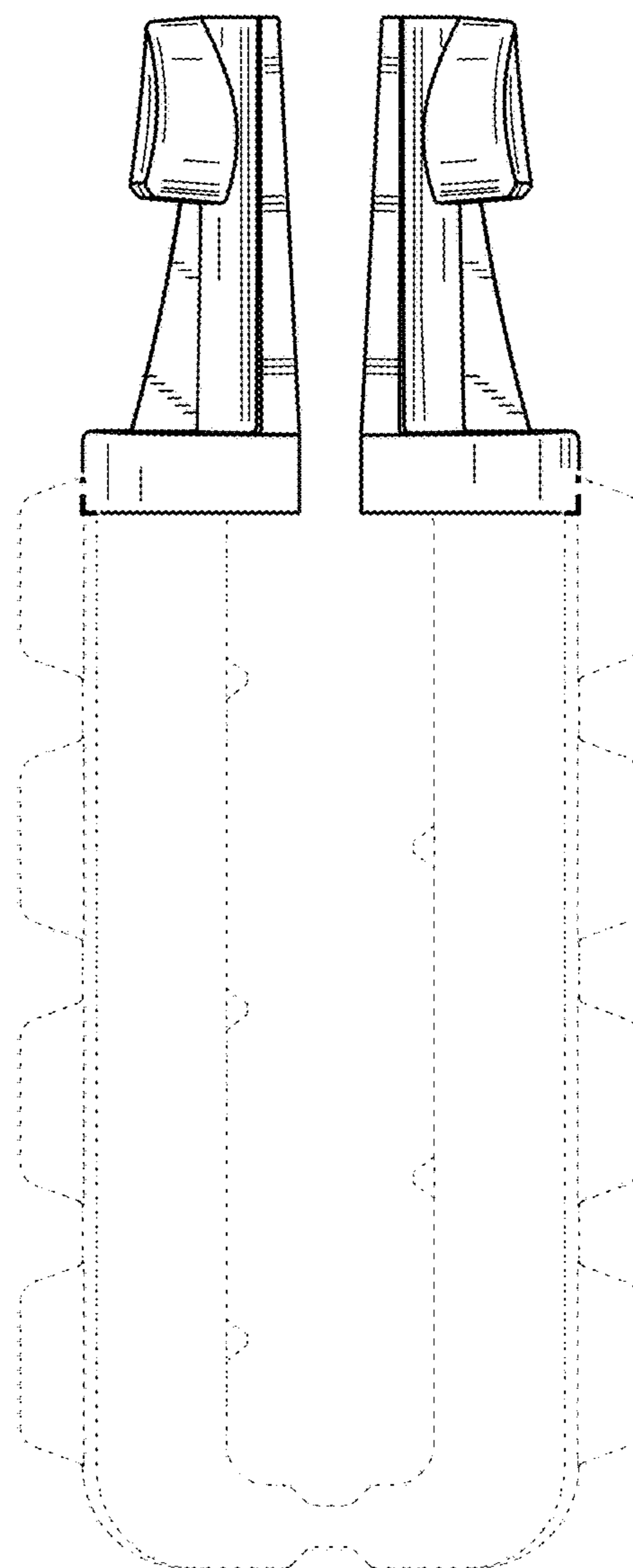


FIG. 5