

US00D806336S

(12) **United States Design Patent**  
**Bond et al.**

(10) **Patent No.:** **US D806,336 S**  
(45) **Date of Patent:** **\*\* Dec. 26, 2017**

(54) **CADDY FOR A CLEANING APPLIANCE**

(71) Applicants: **Brian M. Bond**, Woburn, MA (US);  
**William Liberis**, Somerville, MA (US);  
**Charlie Cai**, Wuhan (CN)

(72) Inventors: **Brian M. Bond**, Woburn, MA (US);  
**William Liberis**, Somerville, MA (US);  
**Charlie Cai**, Wuhan (CN)

(73) Assignee: **SharkNinja Operating LLC**,  
Needham, MA (US)

(\*\*) Term: **15 Years**

(21) Appl. No.: **29/527,086**

(22) Filed: **May 15, 2015**

(51) **LOC (10) Cl.** ..... **15-05**

(52) **U.S. Cl.**  
USPC ..... **D32/31**

(58) **Field of Classification Search**  
USPC ..... D32/21–22, 31, 34, 25  
CPC ..... A47L 11/34; A47L 11/29; A47L 11/30;  
A47L 7/0019; A47L 7/0004; A47L  
7/0023; A47L 9/00; A47L 9/1409; A47L  
5/36–5/367; A47L 5/28  
See application file for complete search history.

(56) **References Cited**

**U.S. PATENT DOCUMENTS**

D374,523 S \* 10/1996 Tomasiak ..... D32/31  
D594,611 S \* 6/2009 Knox ..... D32/21

D703,400 S \* 4/2014 Wang ..... D32/31  
2003/0115713 A1 \* 6/2003 Yang ..... A47L 9/0081  
15/327.2  
2005/0015917 A1 \* 1/2005 Mattingly ..... A47L 9/009  
15/327.2  
2007/0067945 A1 \* 3/2007 Kasper ..... A47L 7/0028  
15/353  
2014/0352105 A1 \* 12/2014 Bosses ..... A47L 9/0027  
15/415.1

\* cited by examiner

*Primary Examiner* — Ruth McInroy

(74) *Attorney, Agent, or Firm* — Grossman Tucker  
Perreault & Pflieger, PLLC

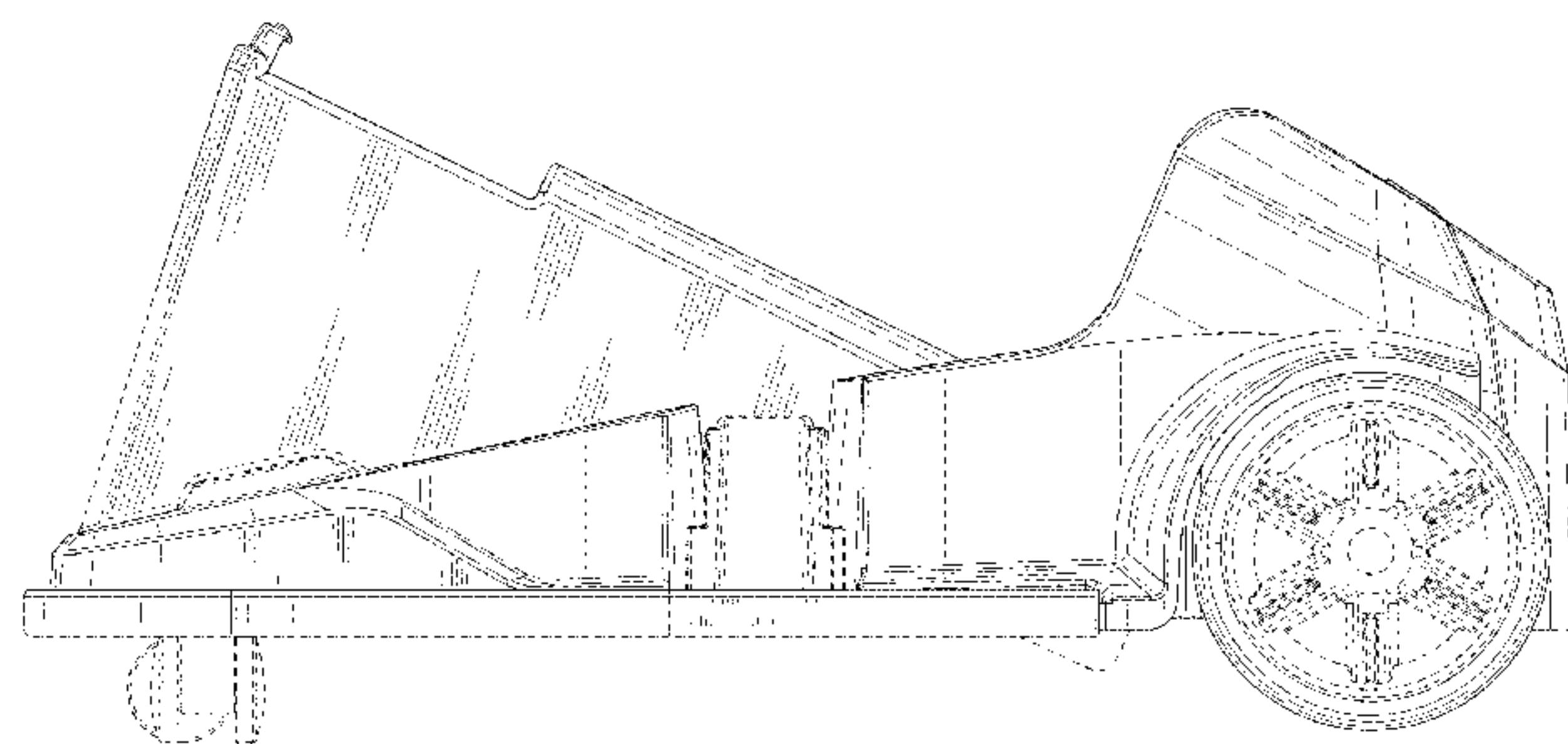
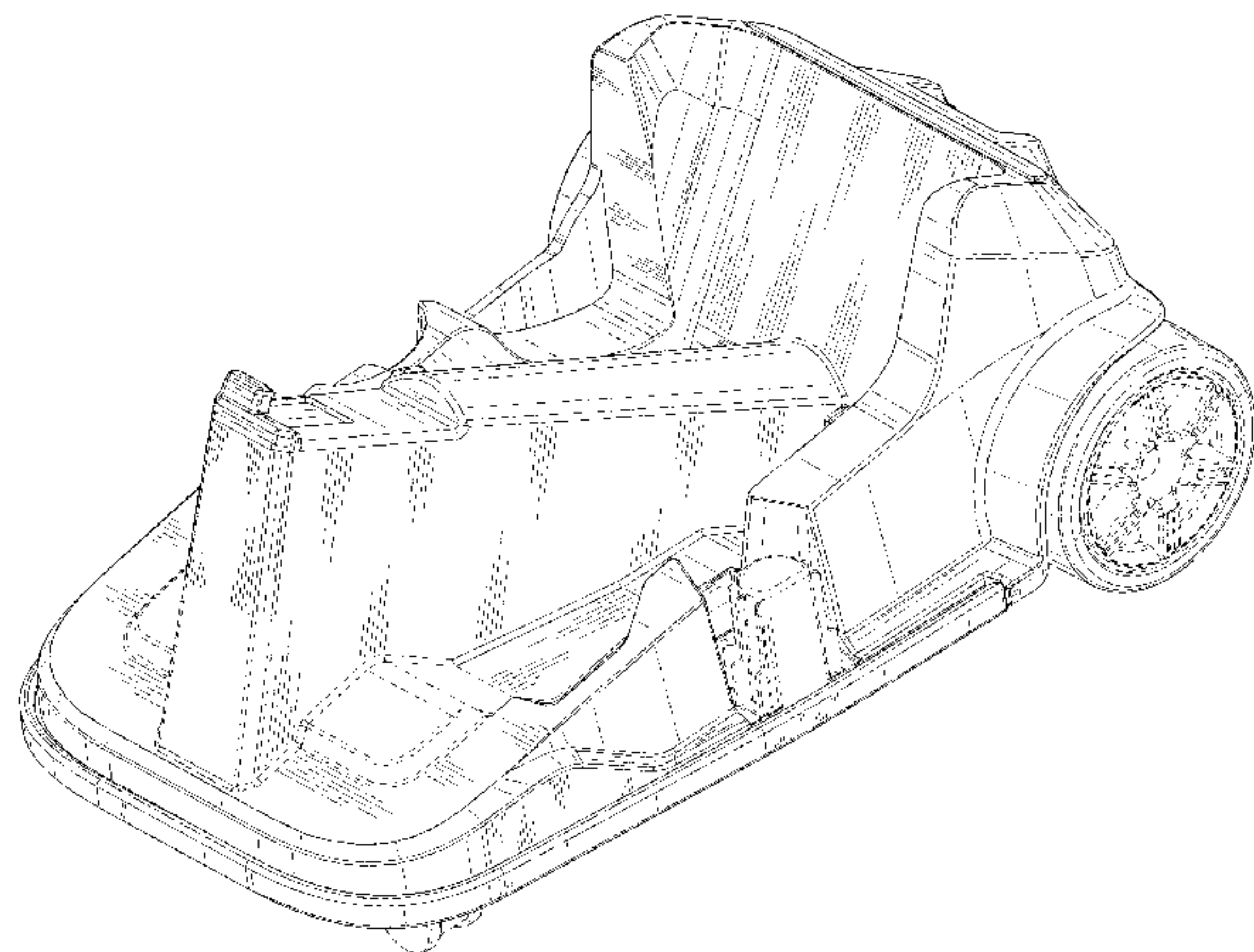
(57) **CLAIM**

The ornamental design for a caddy for a cleaning appliance,  
as shown and described.

**DESCRIPTION**

FIG. 1 is a perspective view of a caddy for a cleaning  
appliance showing our new design;  
FIG. 2 is a front elevational view thereof;  
FIG. 3 is a rear elevational view thereof;  
FIG. 4 is a left side elevational view thereof;  
FIG. 5 is a right side elevational view thereof; and,  
FIG. 6 is a top plan view thereof.  
The broken lines in the drawings are for illustrative purposes  
only and form no part of the claimed design.

**1 Claim, 6 Drawing Sheets**



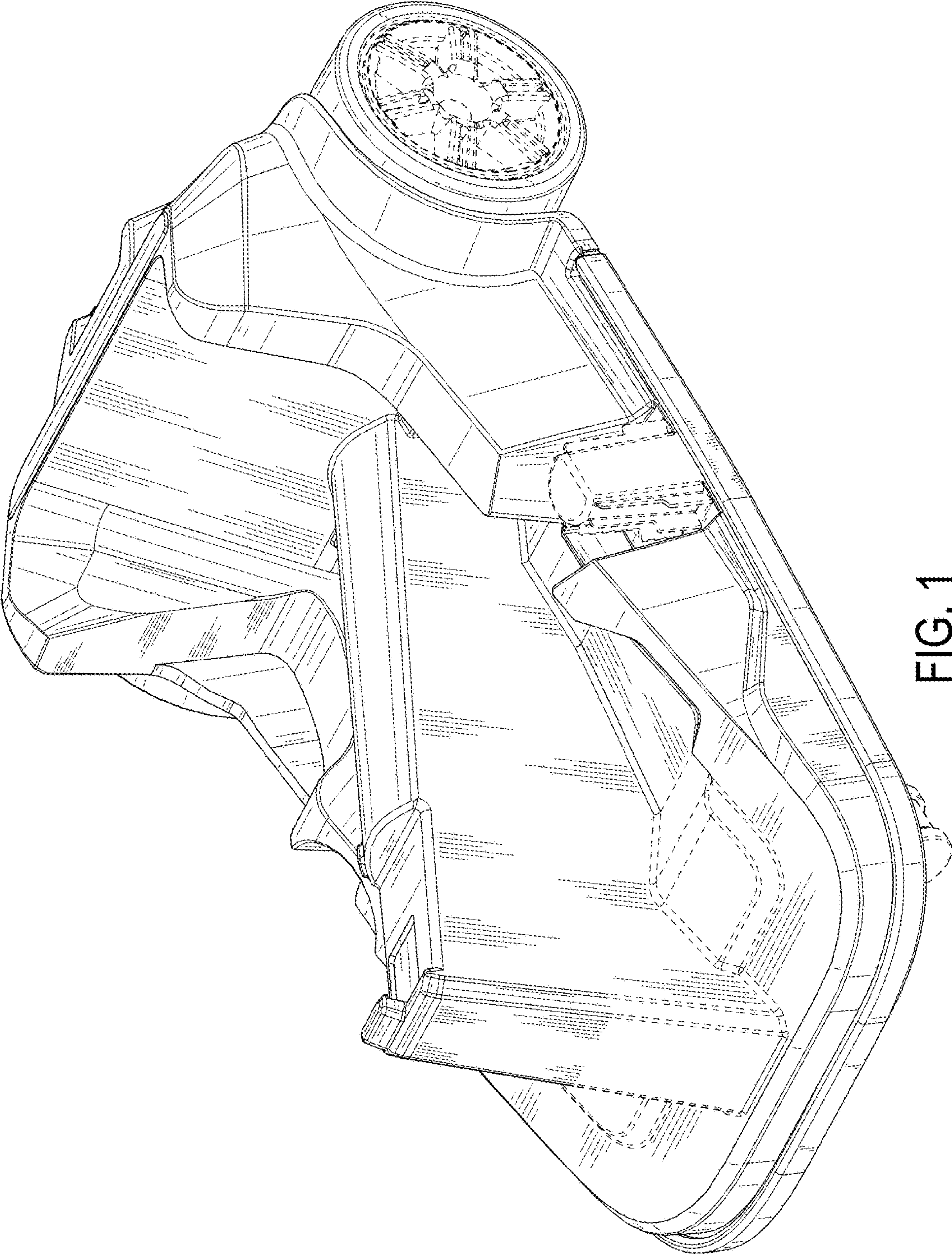


FIG. 1



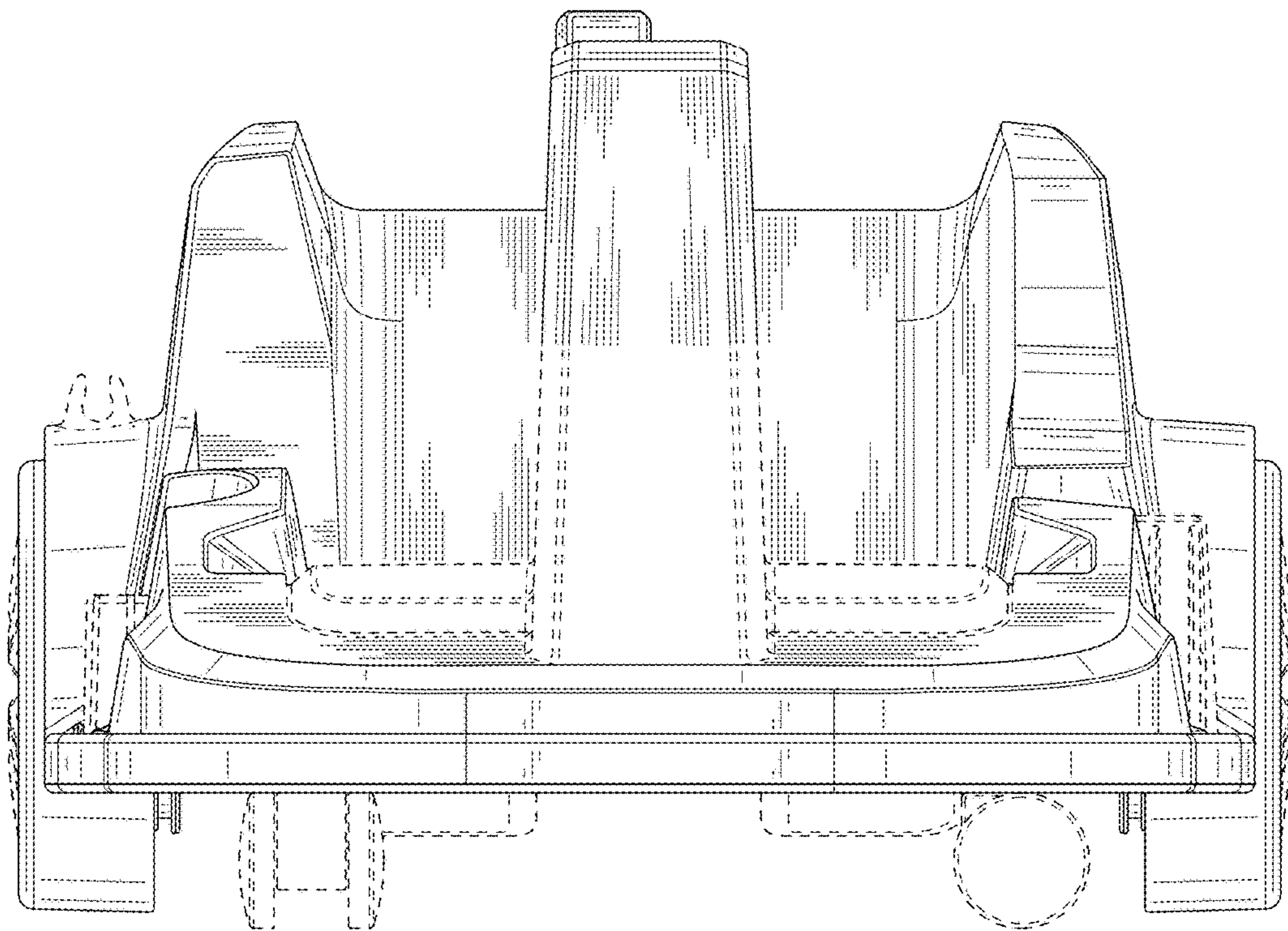


FIG. 2

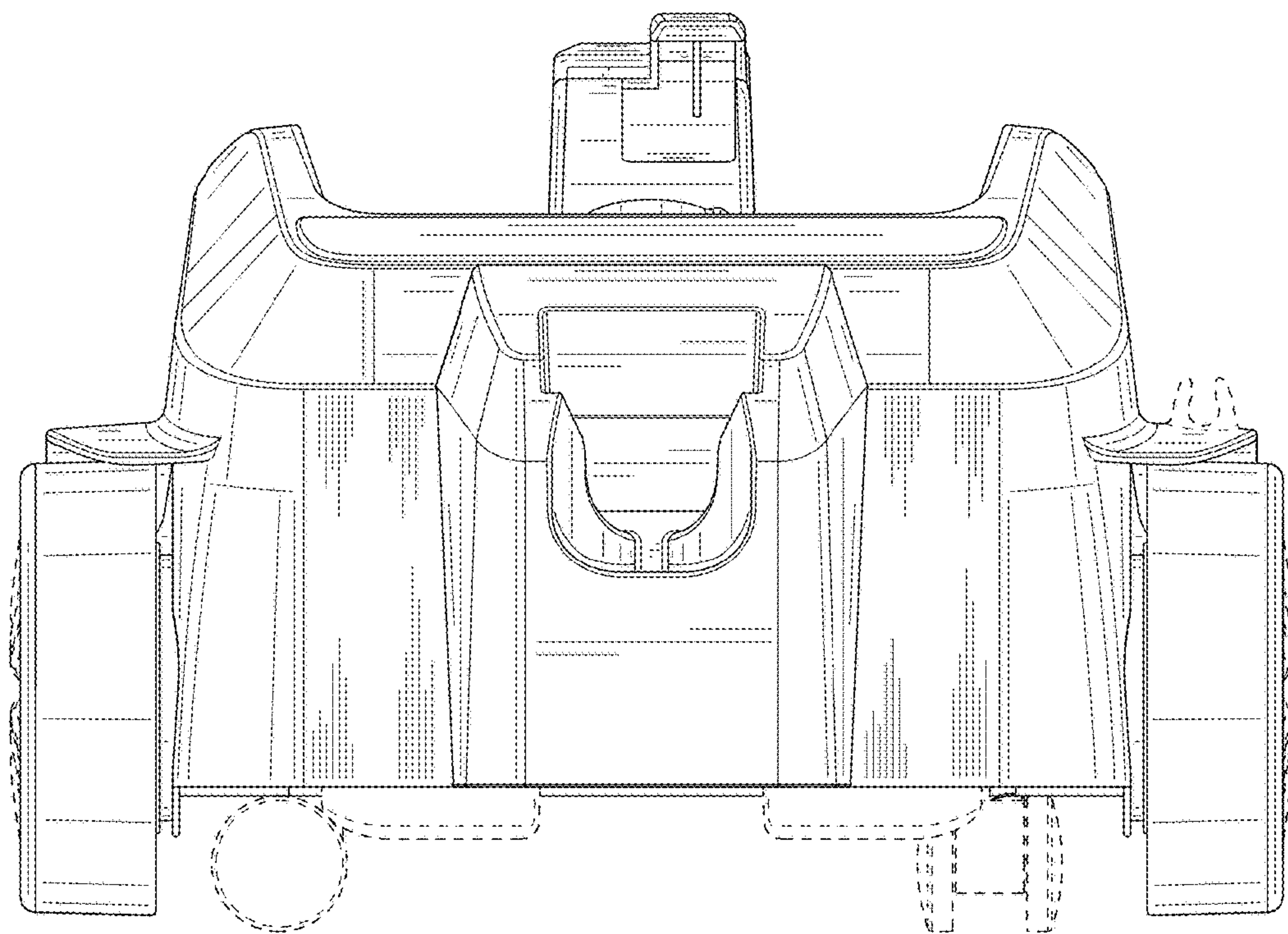


FIG. 3

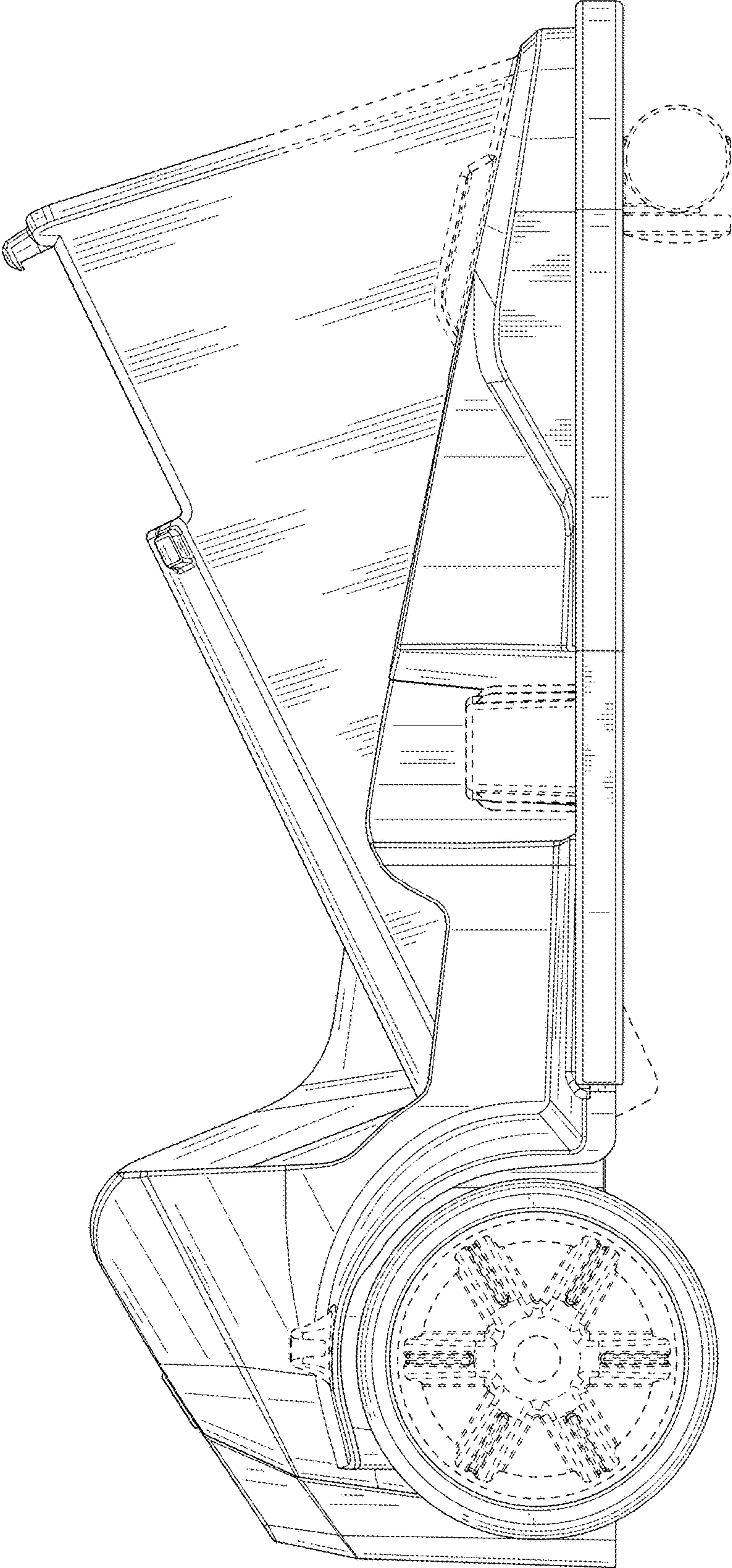


FIG. 4



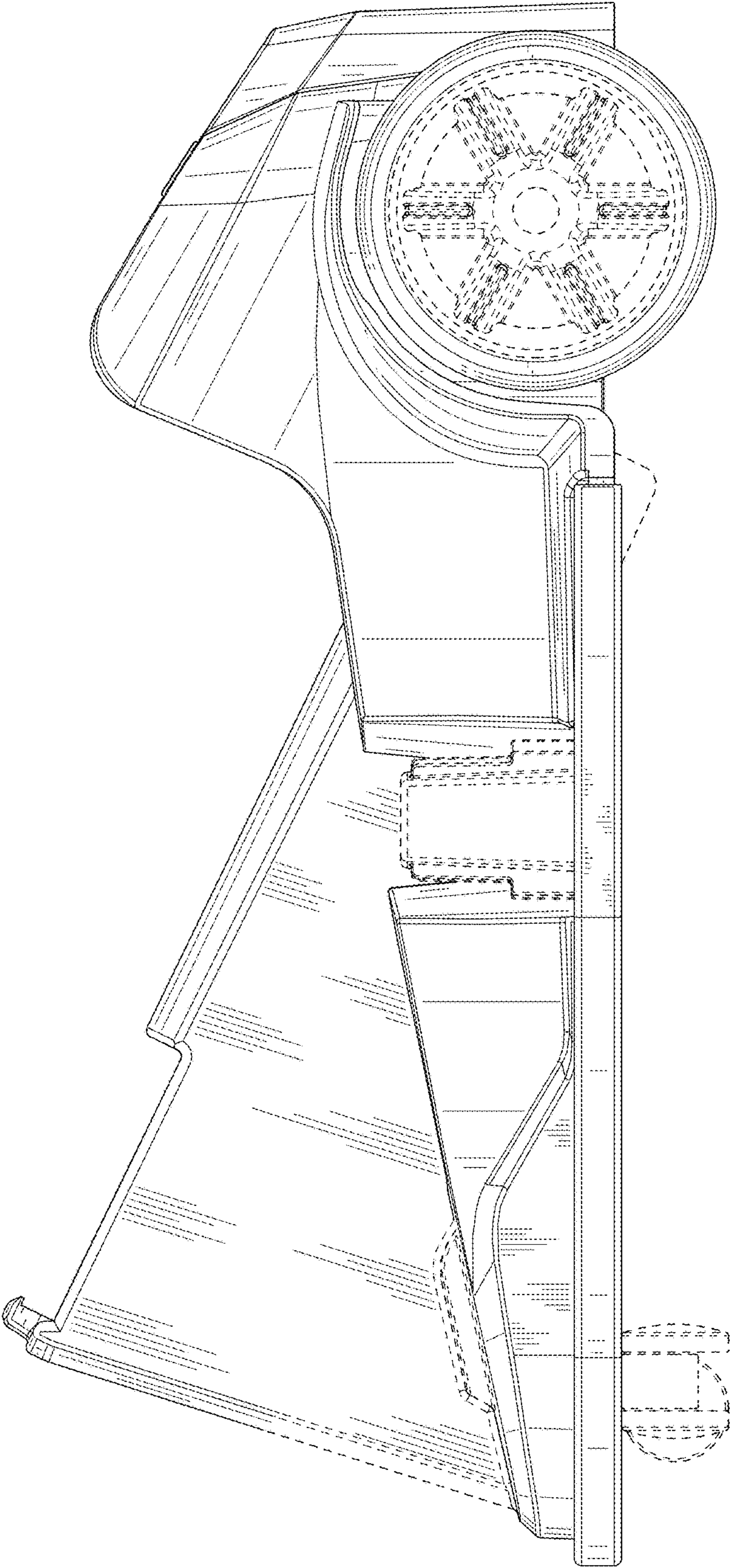


FIG. 5

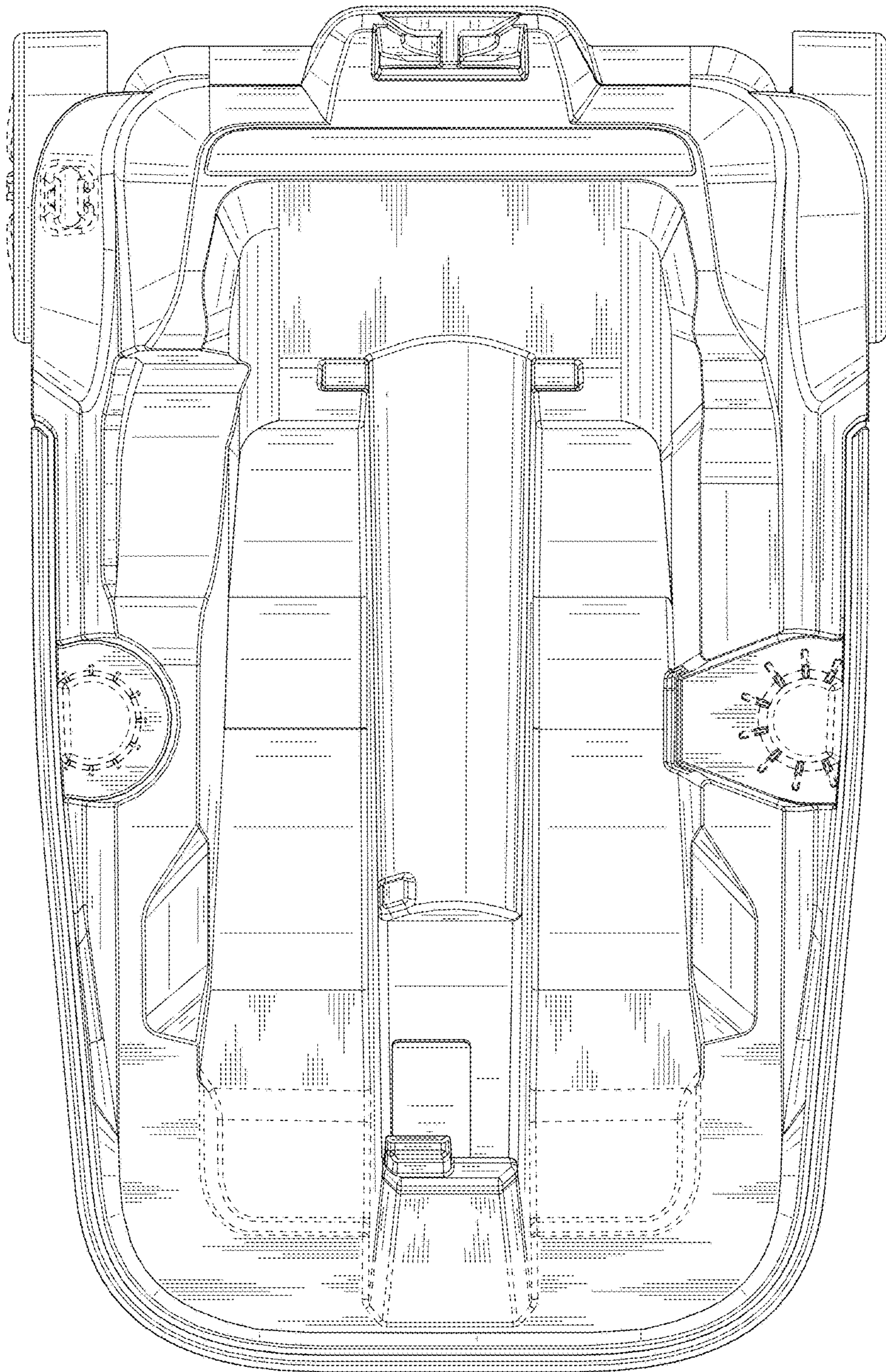


FIG. 6