



US00D806335S

(12) **United States Design Patent**
Yoon et al.

(10) **Patent No.:** **US D806,335 S**
(45) **Date of Patent:** **** Dec. 26, 2017**

(54) **WASHING MACHINE**

(71) Applicant: **Samsung Electronics Co., Ltd.**,
Suwon-si (KR)

(72) Inventors: **Kisang Yoon**, Daejeon (KR); **Yoonjong Kang**, Seoul (KR)

(73) Assignee: **Samsung Electronics Co., Ltd.**,
Suwon-si (KR)

(**) Term: **15 Years**

(21) Appl. No.: **29/597,835**

(22) Filed: **Mar. 21, 2017**

Related U.S. Application Data

(63) Continuation of application No. 29/550,502, filed on
Jan. 5, 2016, now Pat. No. Des. 785,881.

(30) **Foreign Application Priority Data**

Jul. 17, 2015 (KR) 30-2015-0036143

(51) **LOC (10) Cl.** **15-05**

(52) **U.S. Cl.**
USPC **D32/28**

(58) **Field of Classification Search**

USPC D32/28, 6, 25, 29, 29.1, 8
CPC D06F 39/045; D06F 29/00; D06F 29/005;
D06F 33/02; D06F 39/02; D06F 25/00;
D06F 35/006; D06F 2204/065

See application file for complete search history.

(56) **References Cited**

U.S. PATENT DOCUMENTS

D705,506 S 5/2014 Kwack et al.
D705,507 S 5/2014 Cho et al.
D709,657 S 7/2014 Shin et al.
D760,454 S 6/2016 Joo et al.
D762,025 S 7/2016 Joo et al.

D785,881 S * 5/2017 Yoon D32/25
D785,882 S * 5/2017 Kim D32/25
2011/0041258 A1 2/2011 Ko et al.
2015/0299927 A1 10/2015 Kim

FOREIGN PATENT DOCUMENTS

IN 279246-0001 * 1/2016

OTHER PUBLICATIONS

Samsung Appliances Tita Techie posted by Tita Jane, posted date
Nov. 29, 2014, © 2016 Tita Technie, [online], [site visited Jun. 8,
2017]. Available from Internet, <URL: <http://titatechie.com/2014/11/samsung-presents-its-fully-automatic-washing-machines/>>.*

* cited by examiner

Primary Examiner — Cynthia Ramirez

Assistant Examiner — Laura Yu

(74) *Attorney, Agent, or Firm* — NSIP Law

(57) **CLAIM**

We claim the ornamental design for a washing machine, as
shown and described.

DESCRIPTION

FIG. 1 is the front perspective view of a washing machine
showing our new design;
FIG. 2 is the front view thereof;
FIG. 3 is the rear view thereof;
FIG. 4 is the left-side view thereof;
FIG. 5 is the right-side view thereof;
FIG. 6 is the top plan view thereof;
FIG. 7 is the bottom plan view thereof; and,
FIG. 8 is the enlarged view of the portion in FIG. 1.
The broken lines depict portions of a washing machine that
form no part of the claimed design.
The dot dash lines in the figures represent an unclaimed
boundary line and form no part of the claimed design.

1 Claim, 8 Drawing Sheets

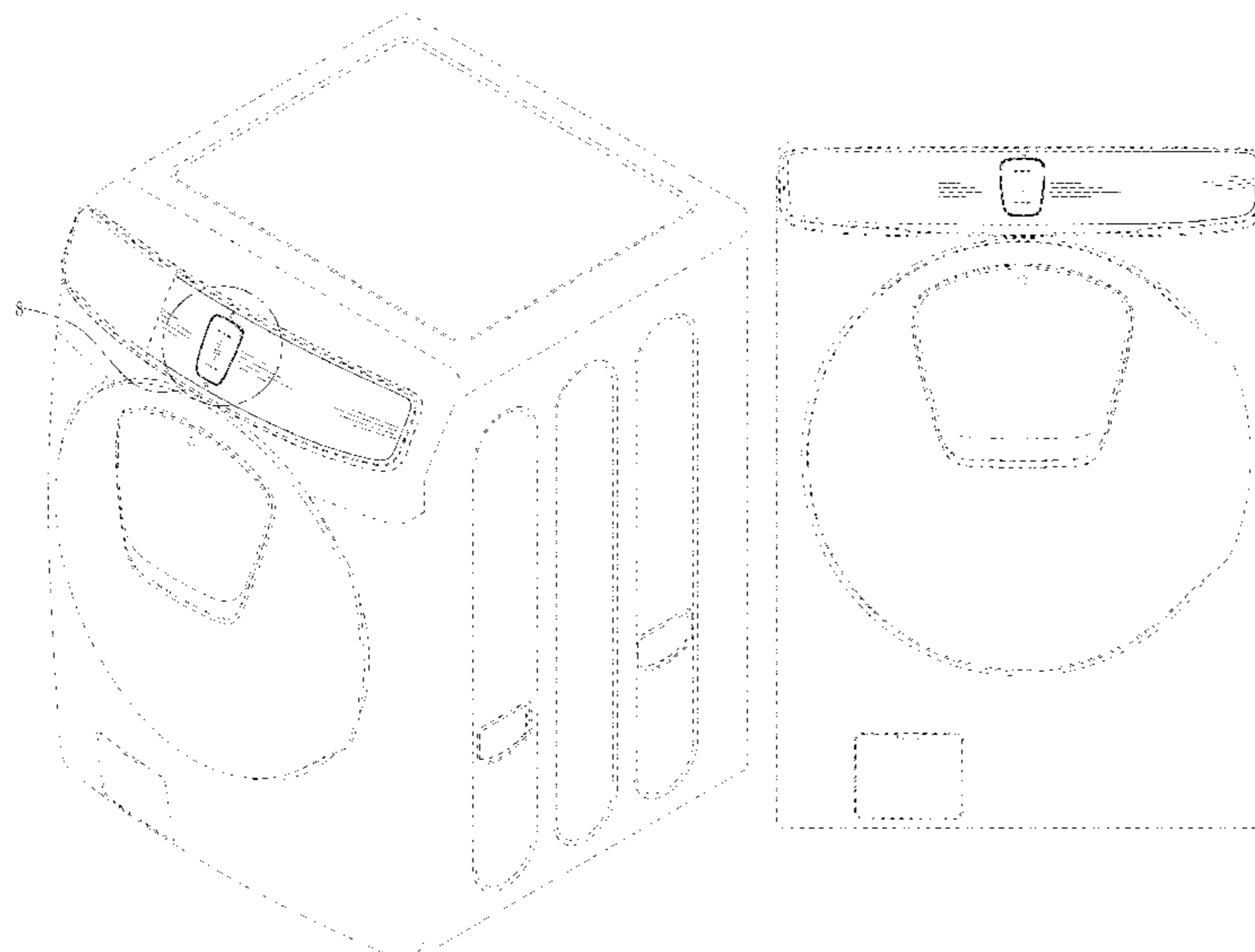


FIG. 1

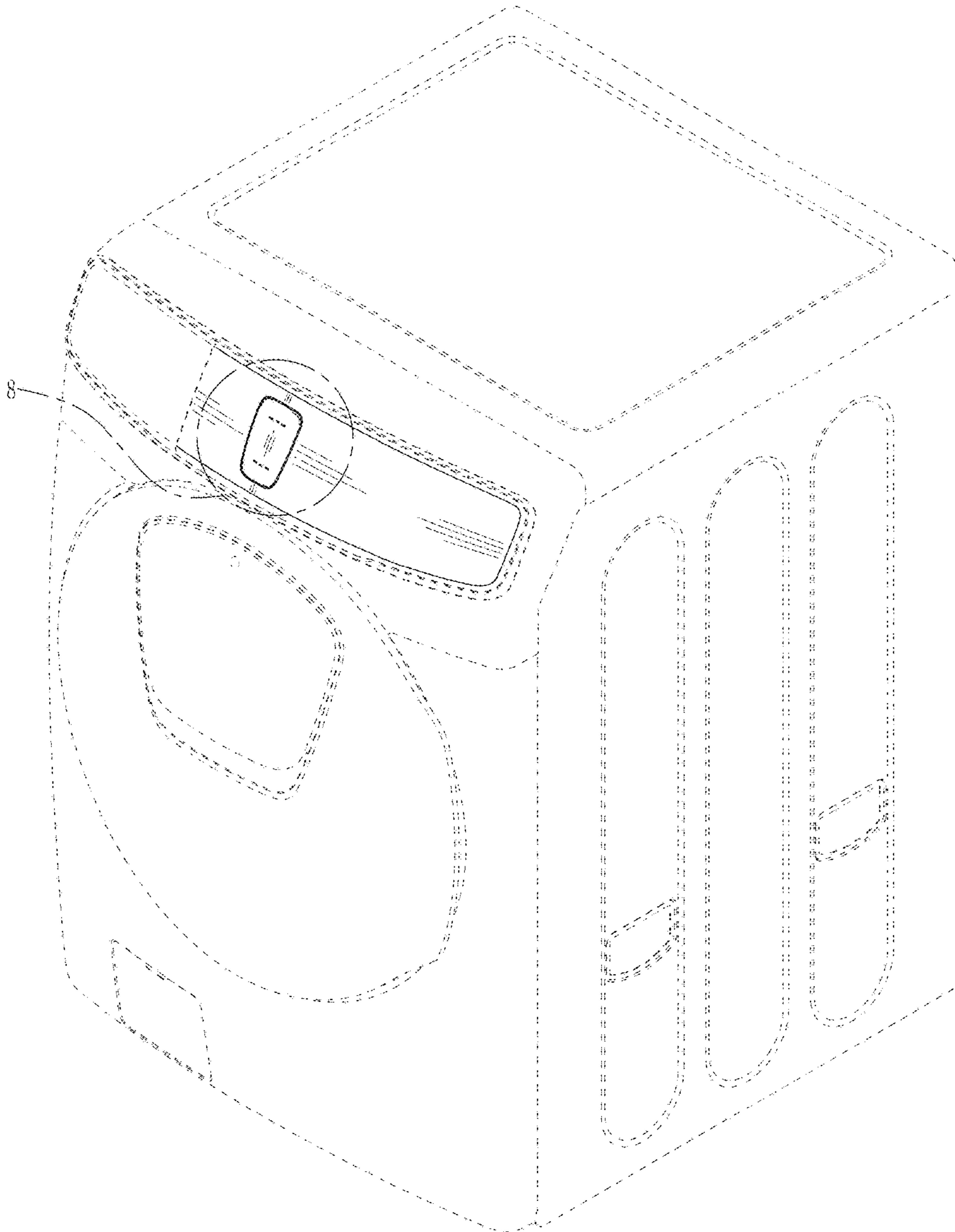


FIG. 2

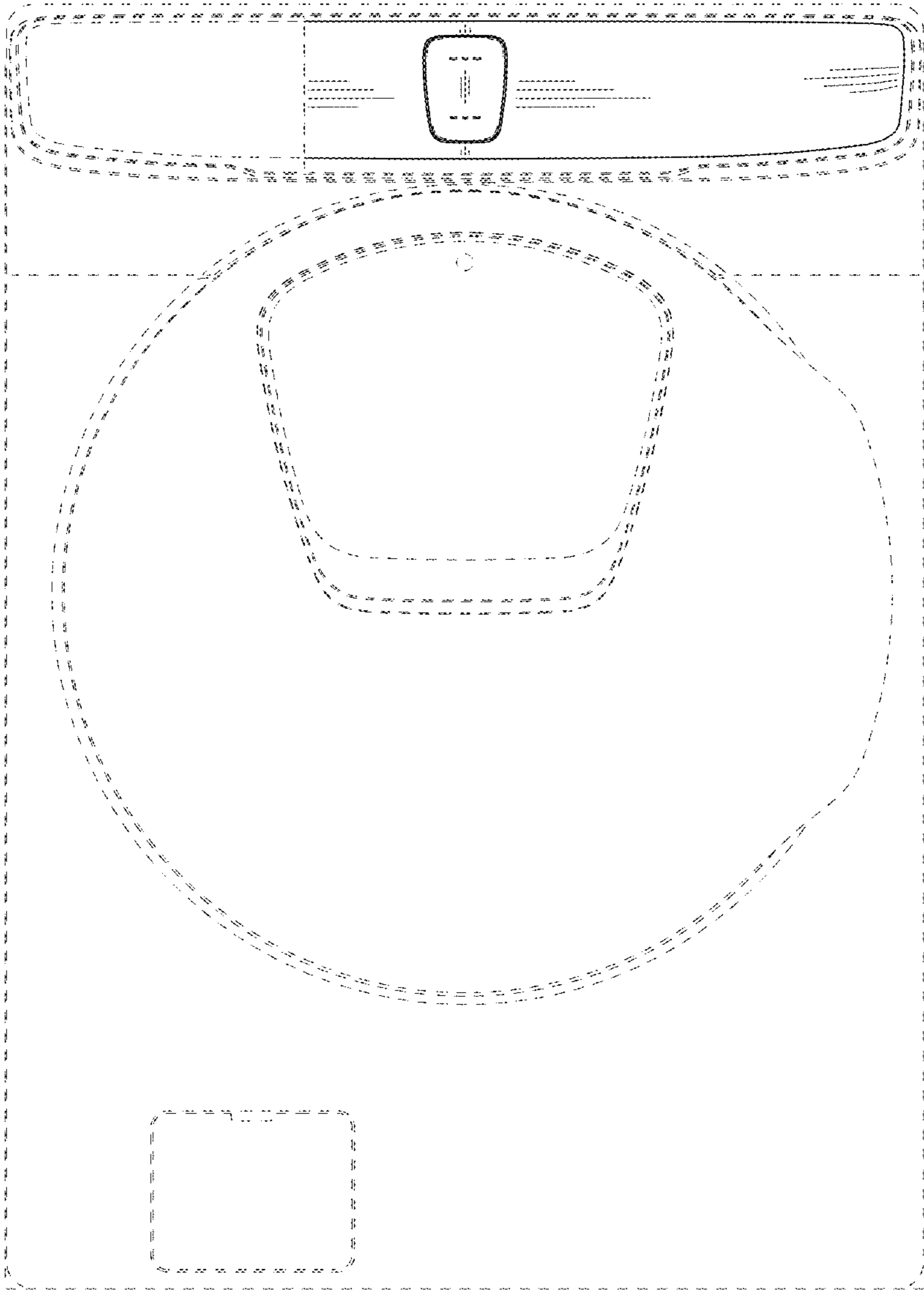


FIG. 3

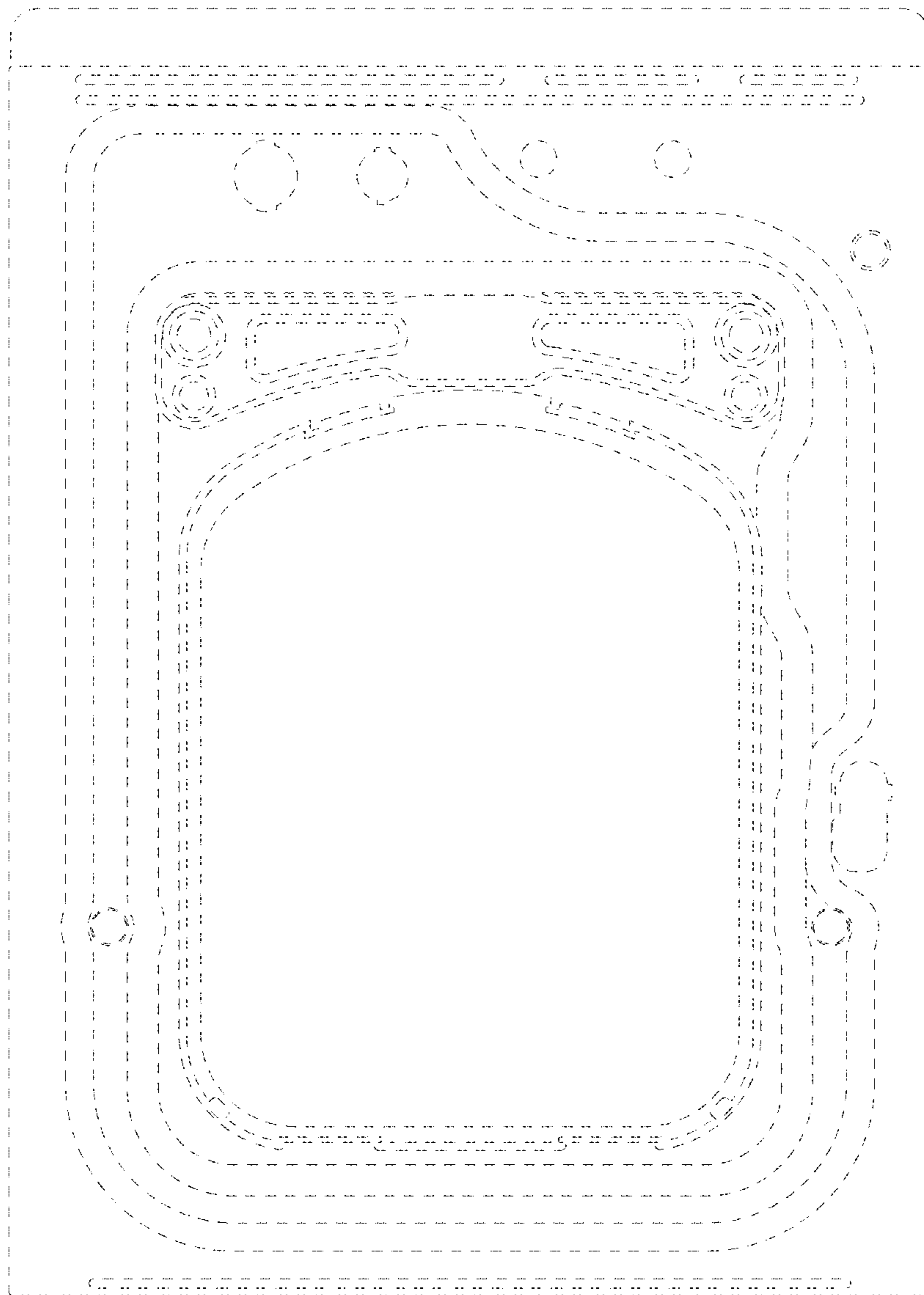


FIG. 4

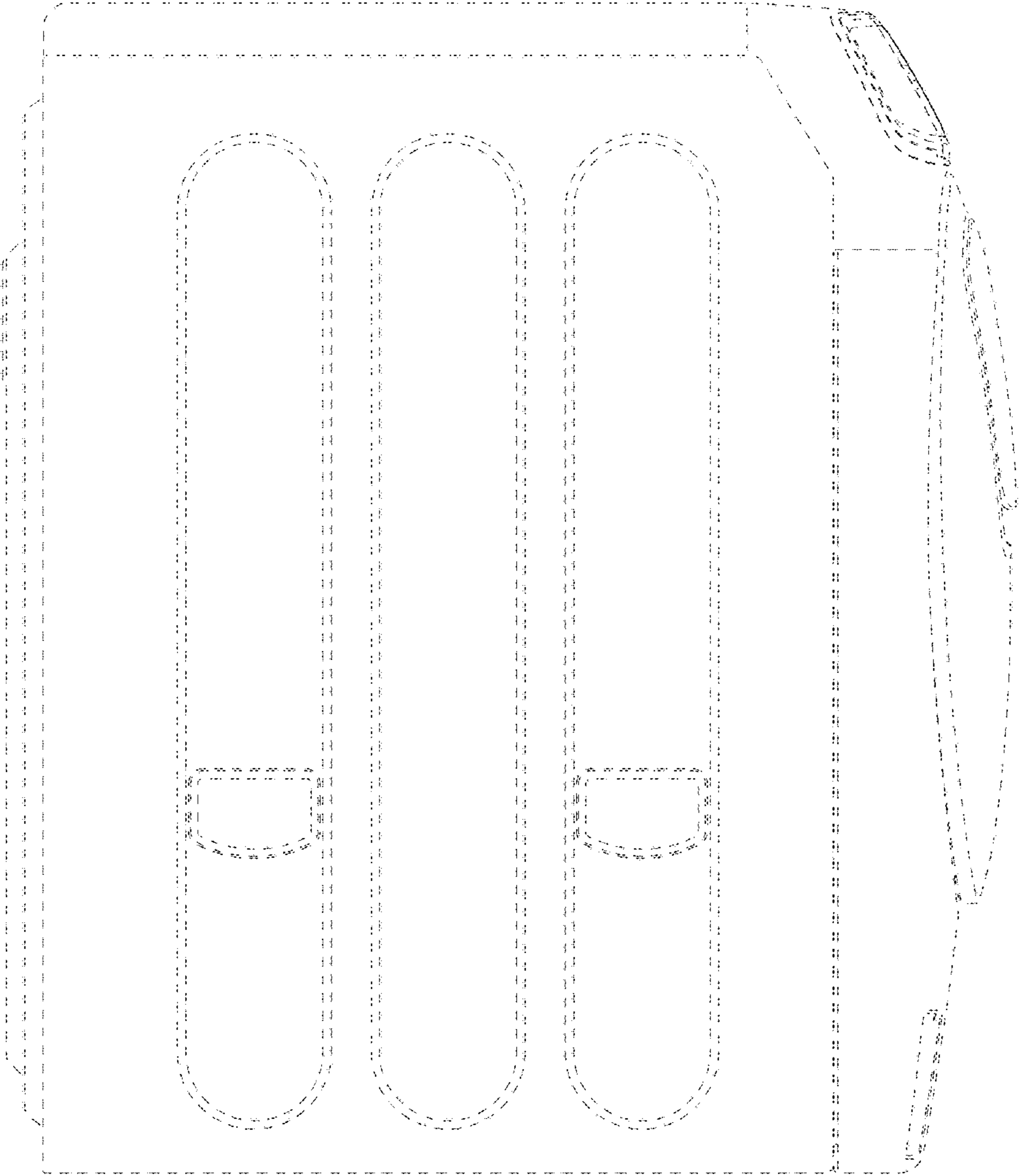


FIG. 5

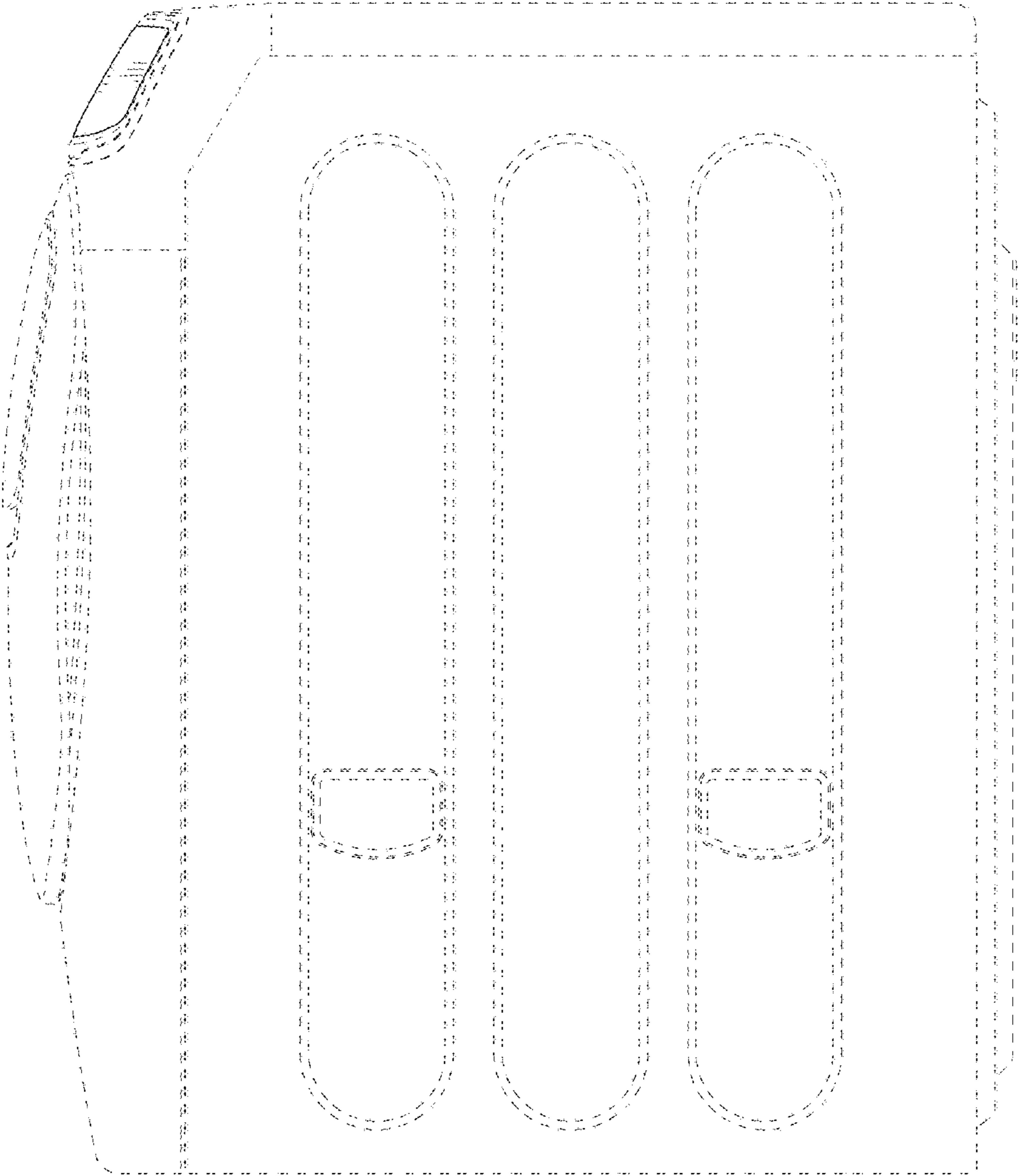


FIG. 6

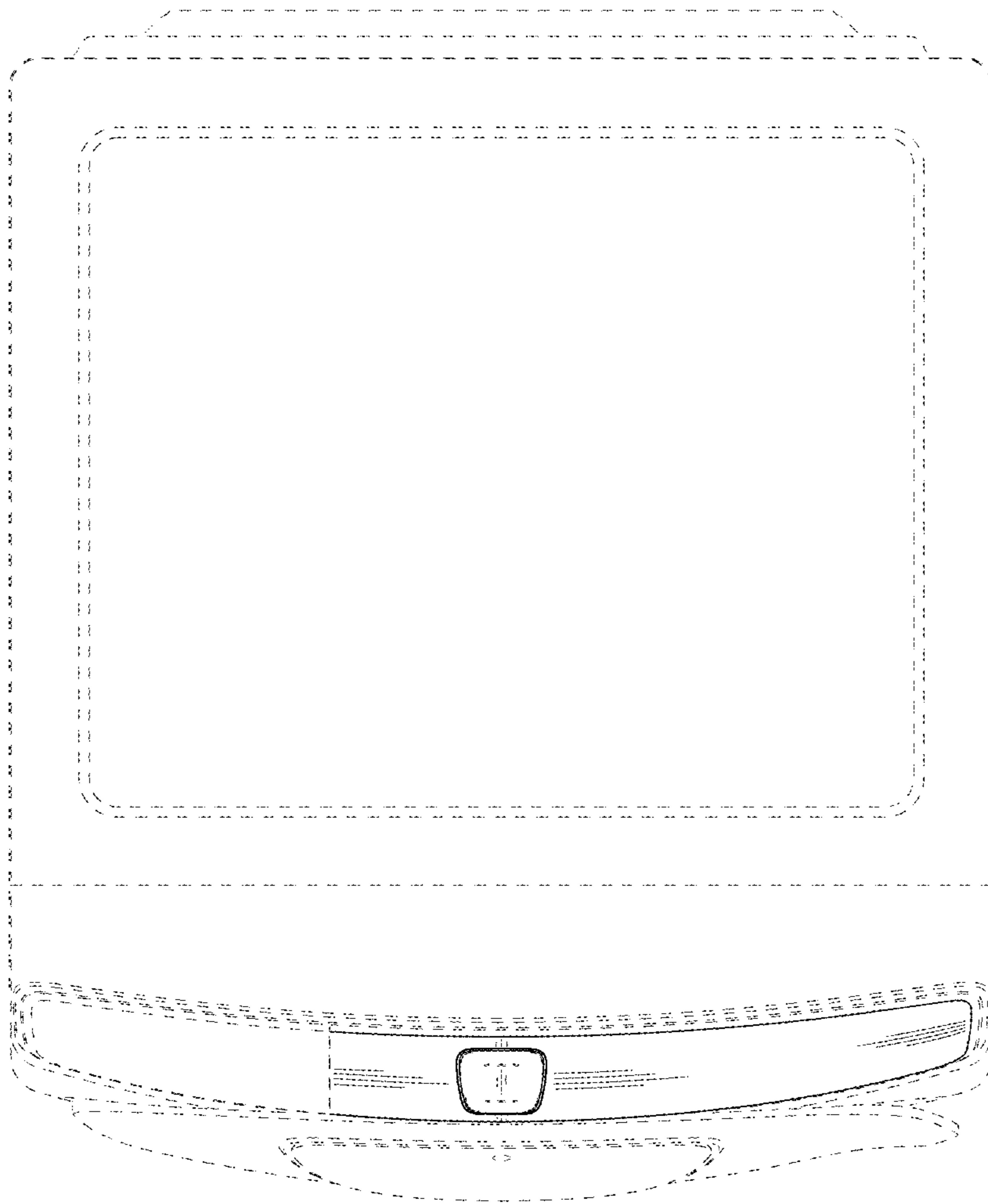


FIG. 7

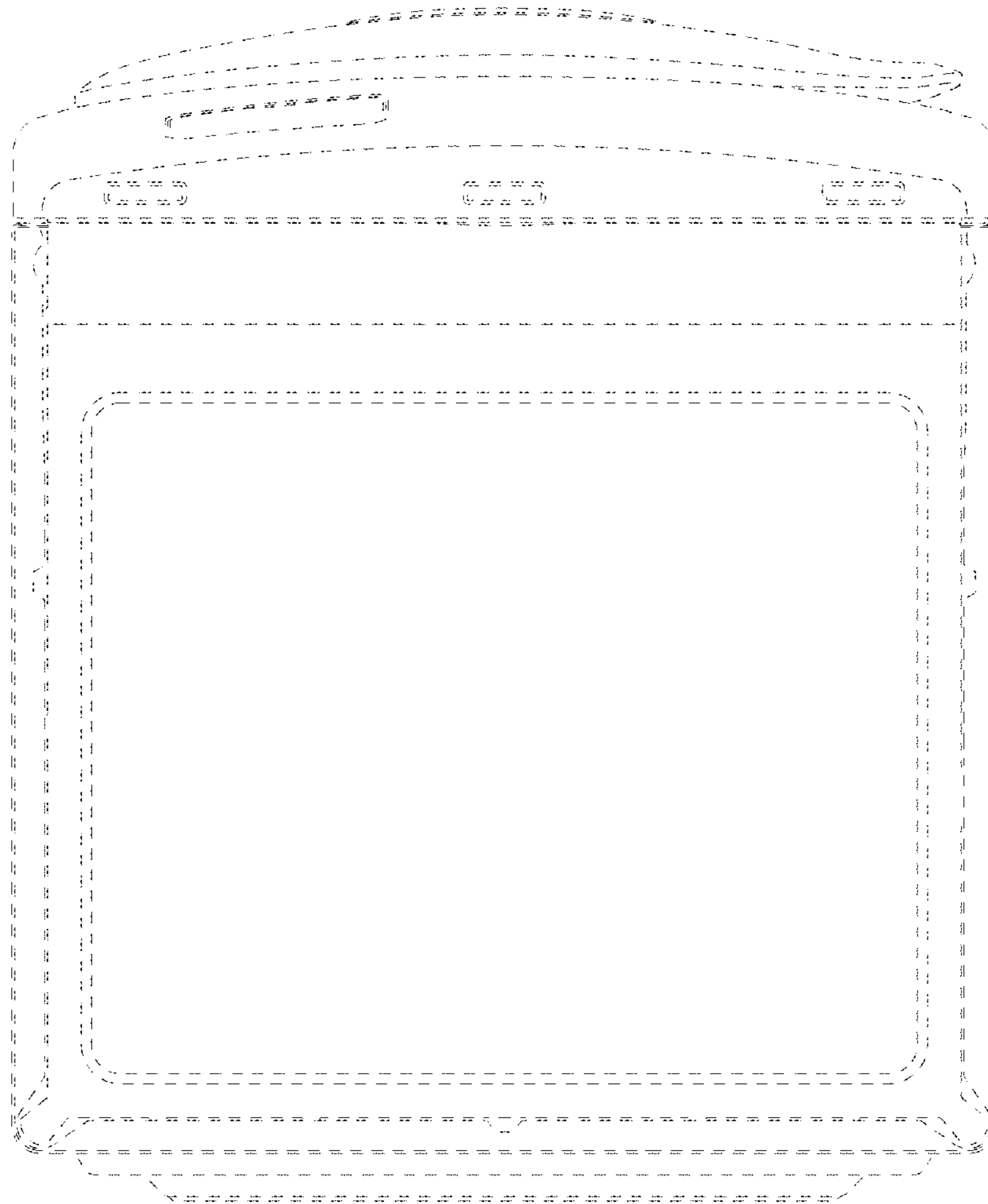


FIG. 8

