



US00D806333S

(12) **United States Design Patent**
Houghton et al.

(10) **Patent No.:** **US D806,333 S**

(45) **Date of Patent:** **** Dec. 26, 2017**

- (54) **STEAM CLEANING ACCESSORY**
- (71) Applicant: **BLACK & DECKER INC.**, New Britain, CT (US)
- (72) Inventors: **Stephen Houghton**, Newcastle-upon-Tyne (GB); **Graeme Crawley**, Newcastle-upon-Tyne (GB)
- (73) Assignee: **BLACK & DECKER INC.**, New Britain, CT (US)
- (**) Term: **15 Years**
- (21) Appl. No.: **29/566,723**
- (22) Filed: **Jun. 2, 2016**

- 5,718,016 A * 2/1998 Sung A47L 5/24 15/227
- D486,616 S * 2/2004 Hall D32/45
- D486,949 S * 2/2004 Hall D32/45
- D540,498 S * 4/2007 Tobias D32/17
- D576,363 S * 9/2008 Reiner D32/17
- 7,484,261 B2 * 2/2009 Sigl A47L 13/17 15/104.94
- D589,663 S * 3/2009 Massip D32/17
- D592,365 S * 5/2009 Massip D32/17
- D595,964 S * 7/2009 Choi D32/35
- D611,213 S * 3/2010 Markey D32/45
- D631,217 S * 1/2011 Lavy D32/45
- D656,283 S * 3/2012 Lavy D32/45
- D658,829 S * 5/2012 Ediger D32/17
- D663,909 S * 7/2012 Andreesen D32/17
- D664,314 S * 7/2012 Li D32/17
- D673,337 S * 12/2012 Chow D32/45
- 8,459,273 B2 * 6/2013 Silva A45D 20/12 132/271
- 8,919,357 B2 * 12/2014 Breit B08B 3/00 134/105
- D722,731 S * 2/2015 Aviolat D32/17
- D725,326 S * 3/2015 Spencer D32/17

- (30) **Foreign Application Priority Data**
- Dec. 7, 2015 (EM) 002898601
- (51) **LOC (10) Cl.** **15-05**
- (52) **U.S. Cl.**
USPC **D32/25; D32/31**
- (58) **Field of Classification Search**
USPC D32/17-18, 22, 31, 34, 45, 50-51, 43; D8/374, 323, 325; D2/614; D28/63
CPC A47L 5/24; A47L 5/28; A47L 5/34; A47L 7/0038; A47L 9/325; A47L 9/02; A47L 11/34; A47L 11/4086; A47L 13/26; A47L 13/225; A47L 13/22; A47L 11/4036; A47L 13/18; B08B 9/0323; A23C 3/031
See application file for complete search history.

- (56) **References Cited**
U.S. PATENT DOCUMENTS
1,558,930 A * 10/1925 Schuck A41D 19/0079 239/529
3,793,753 A * 2/1974 Engelbart D06F 75/30 38/77.6

(Continued)

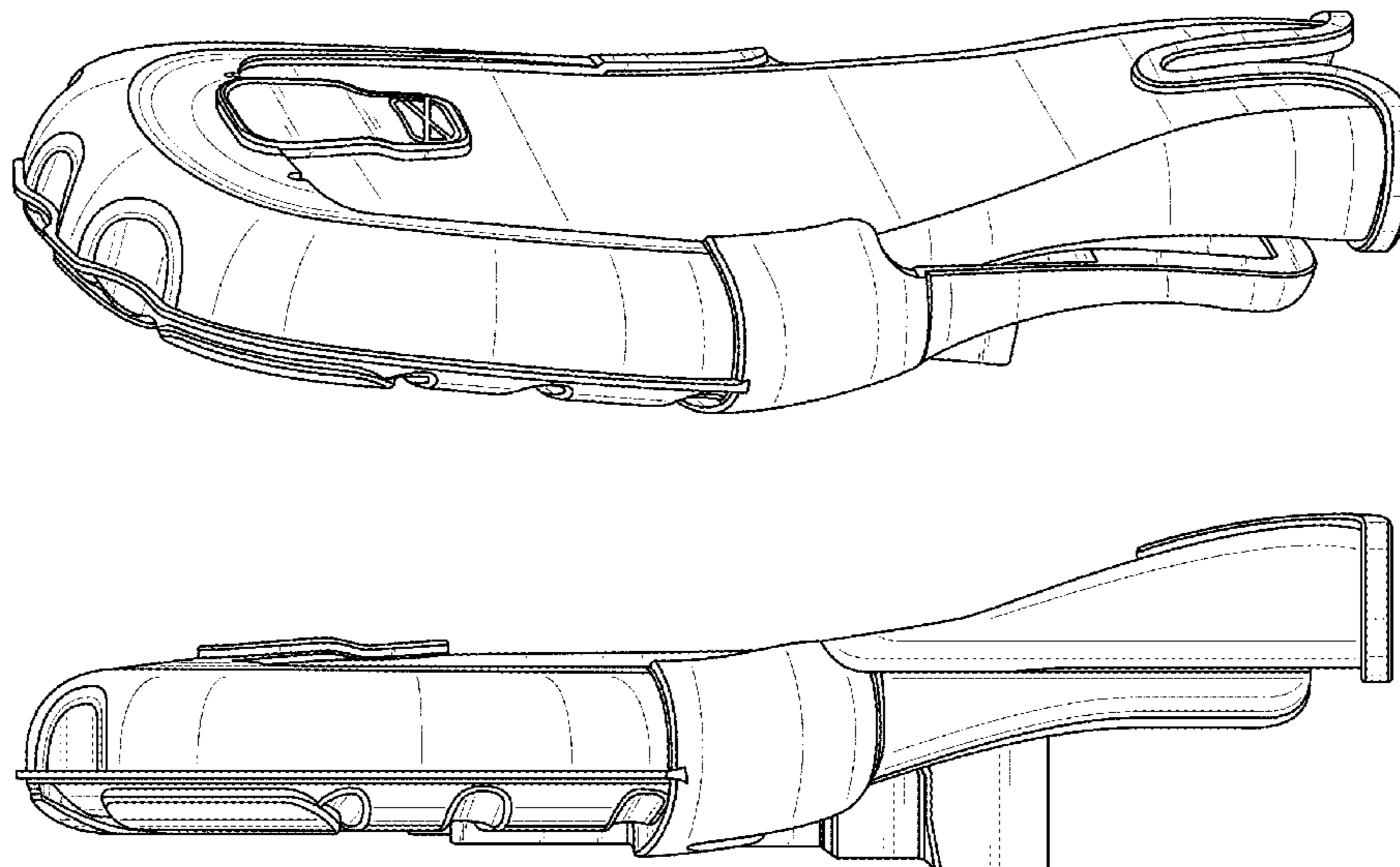
Primary Examiner — Ruth McInroy
(74) *Attorney, Agent, or Firm* — John Yun

(57) **CLAIM**
The ornamental design for a steam cleaning accessory, as shown and described.

DESCRIPTION

FIG. 1 is a perspective view of a steam cleaning accessory
FIG. 2 is a left side view thereof;
FIG. 3 is a right side view thereof;
FIG. 4 is a front view thereof;
FIG. 5 is a rear view thereof;
FIG. 6 is a top view thereof; and,
FIG. 7 is a bottom view thereof.

1 Claim, 7 Drawing Sheets



(56)

References Cited

U.S. PATENT DOCUMENTS

D764,732 S *	8/2016	Chei	D32/45
9,549,652 B2 *	1/2017	Hussey	A47L 11/4036
D782,138 S *	3/2017	Xavier	D32/35
2012/0204375 A1 *	8/2012	Charlton	A47L 11/4036
			15/320
2014/0076368 A1 *	3/2014	Hansen	A47L 13/16
			134/105
2016/0374533 A1 *	12/2016	Innes	A47L 13/22
			15/319

* cited by examiner

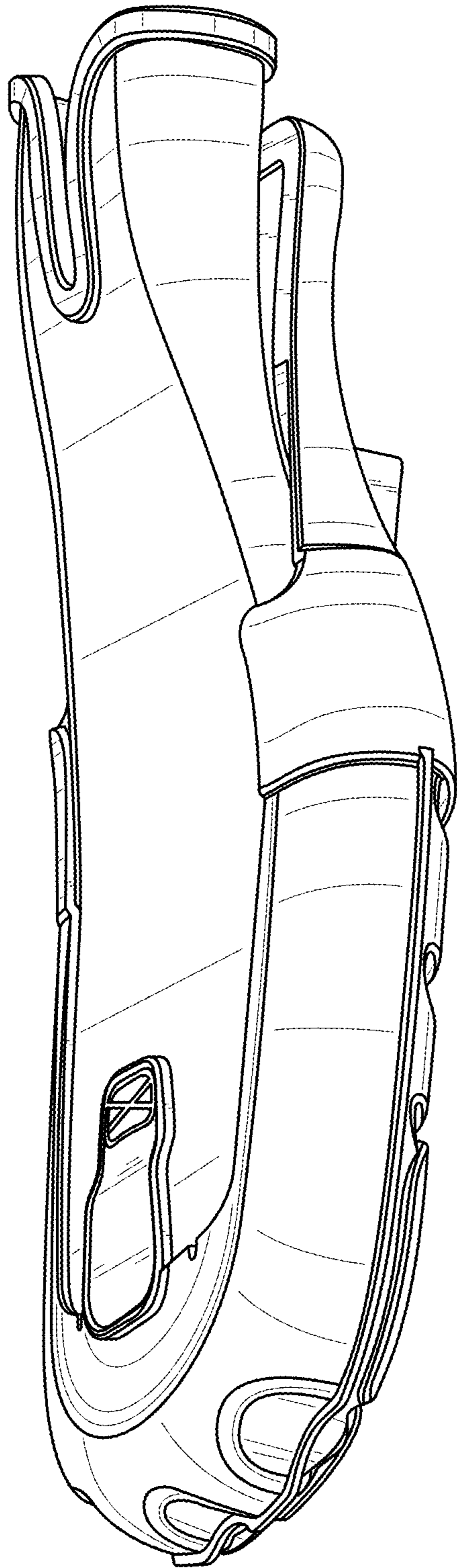


FIG. 1

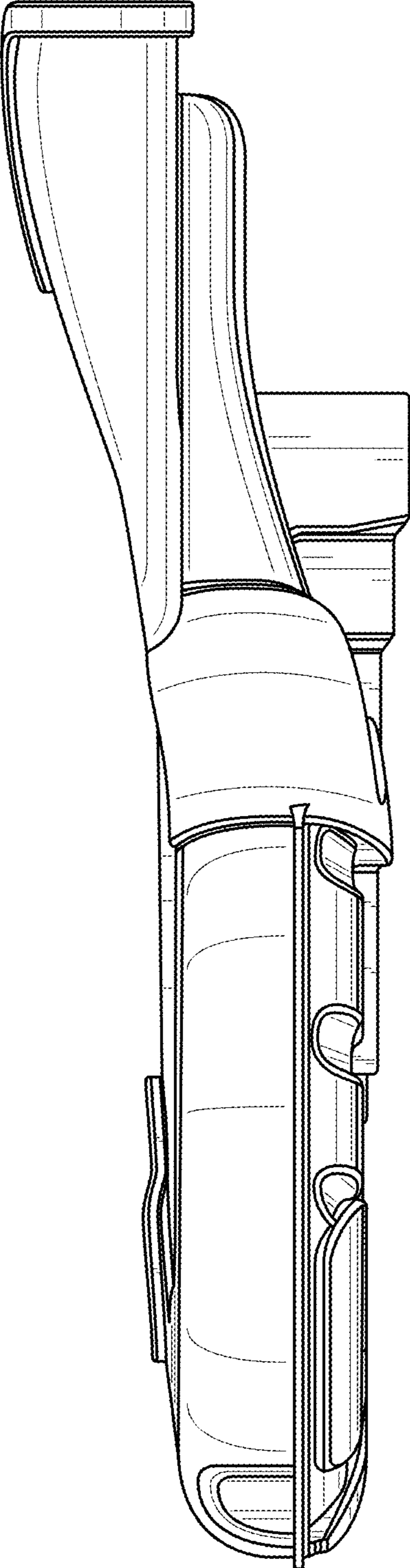


FIG. 2

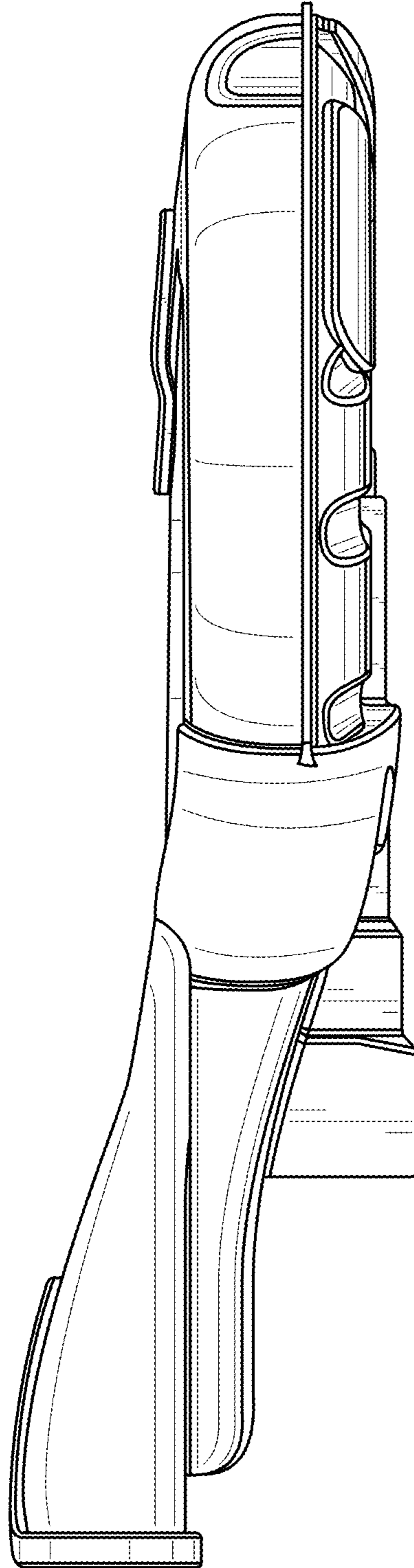


FIG. 3

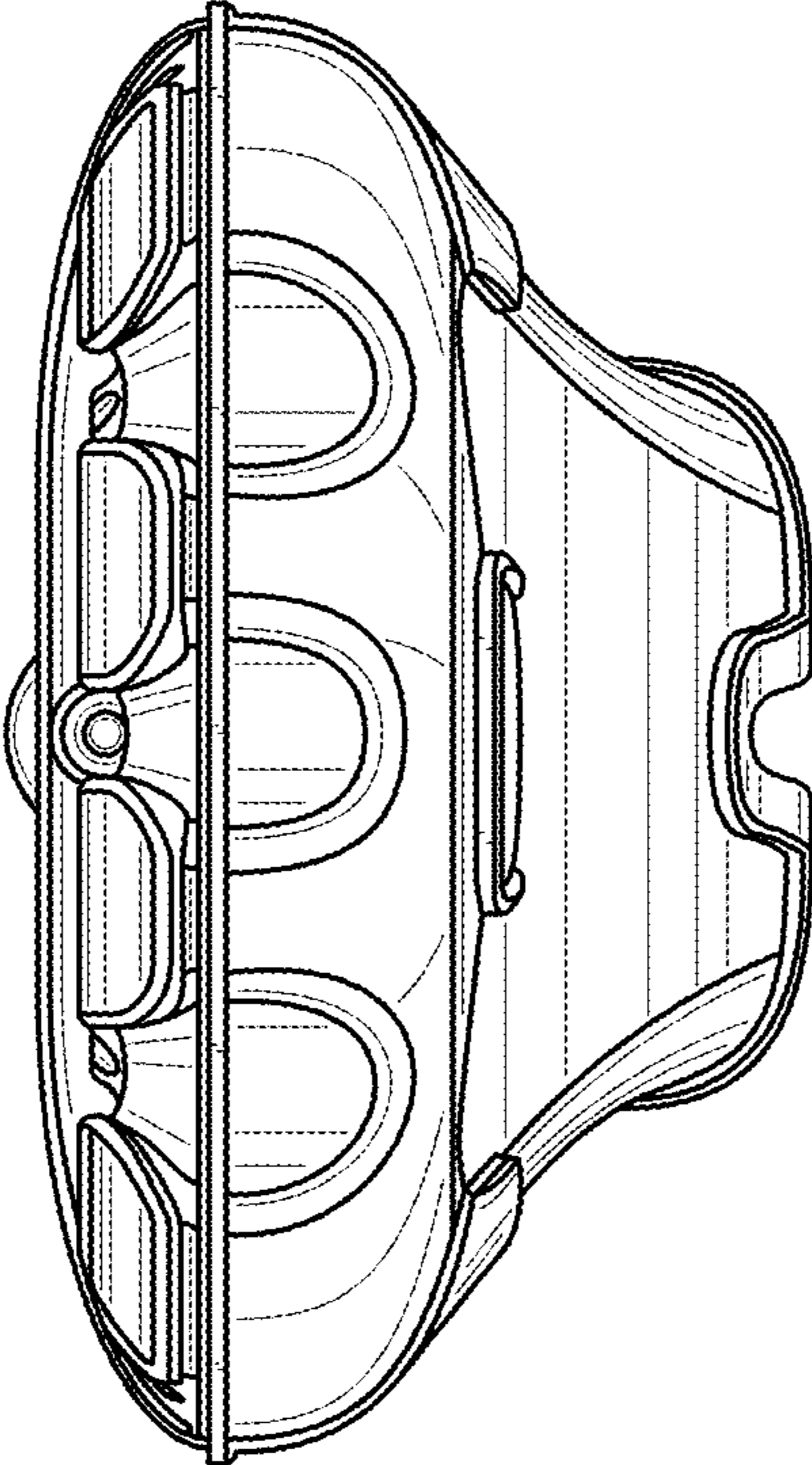


FIG. 4

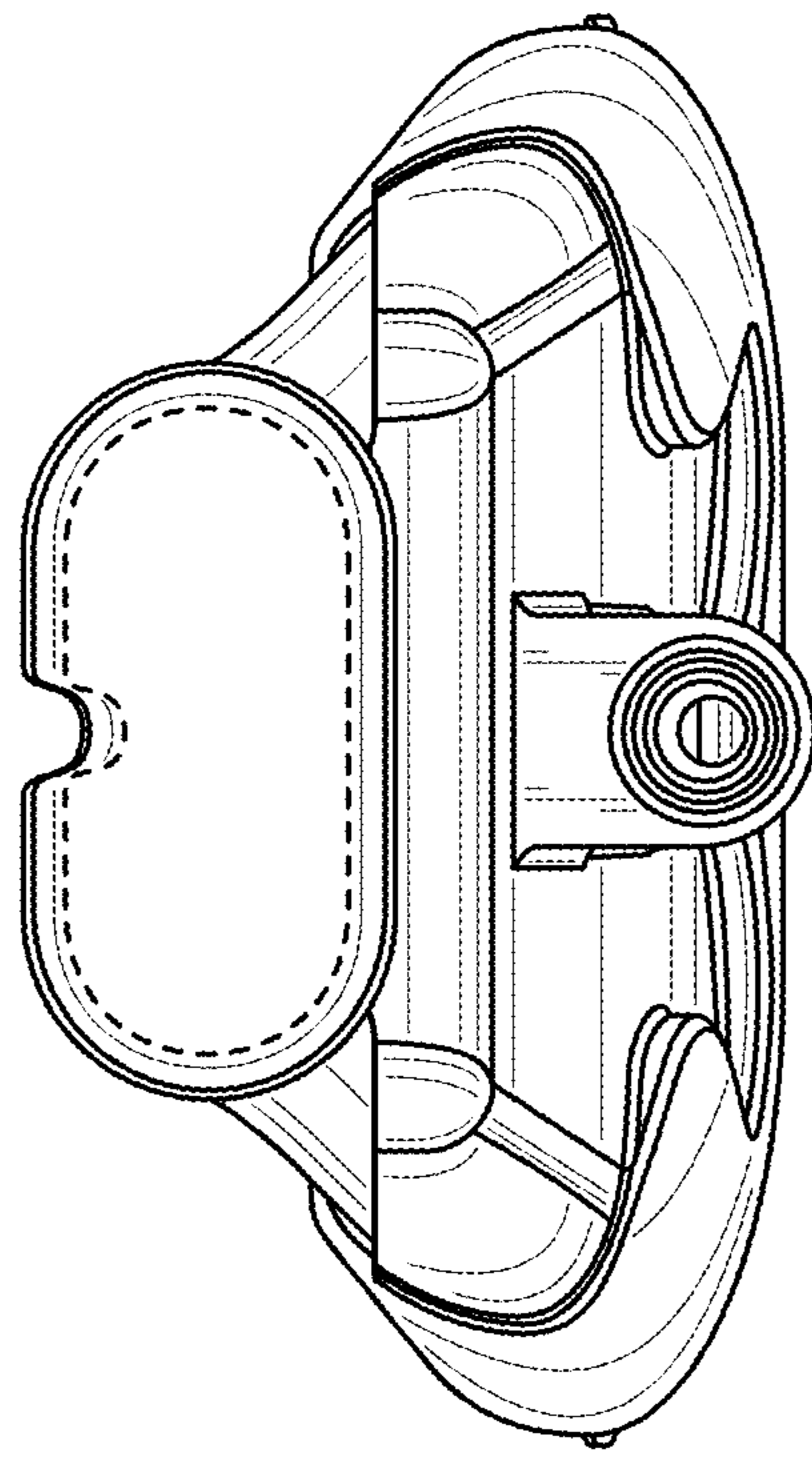


FIG. 5

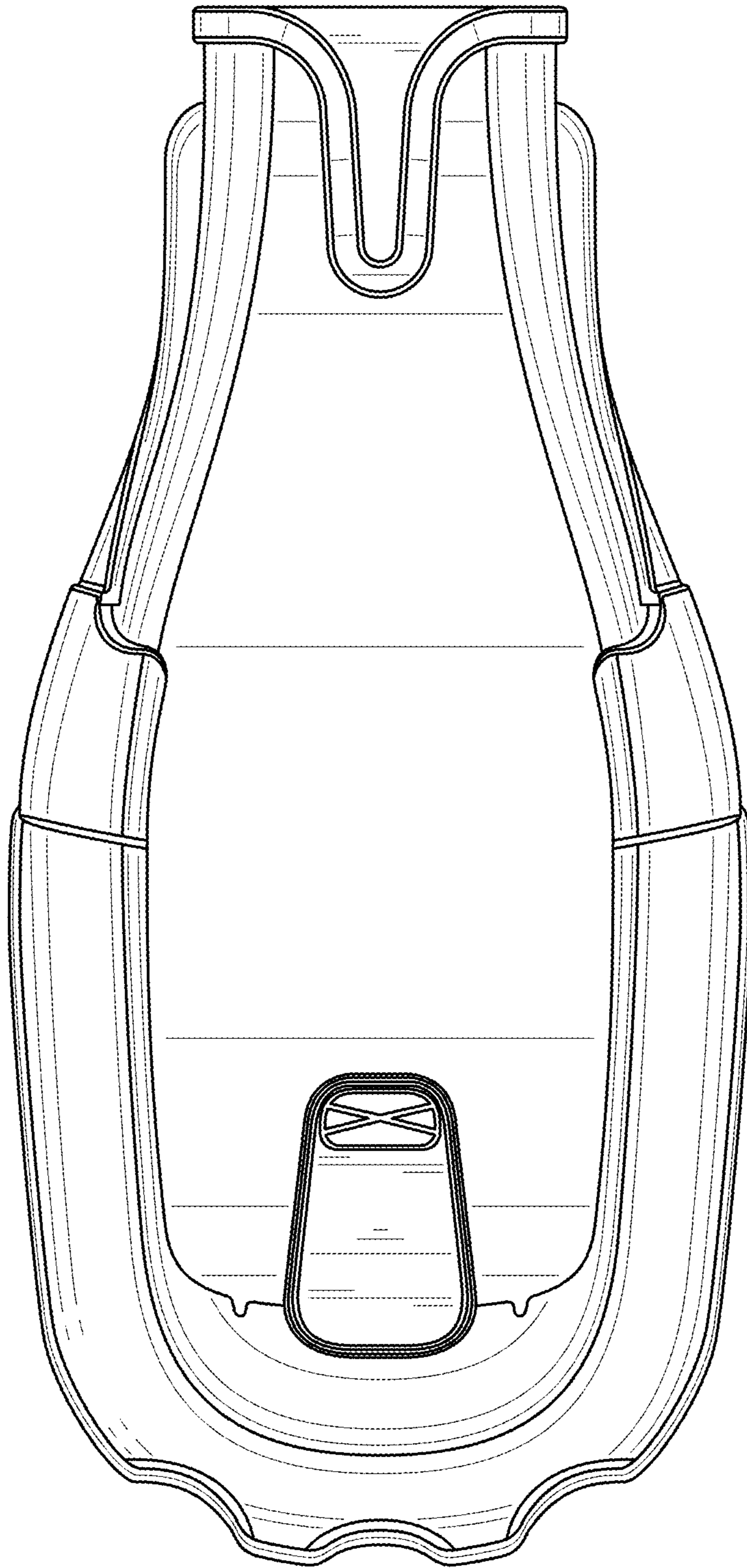


FIG. 6

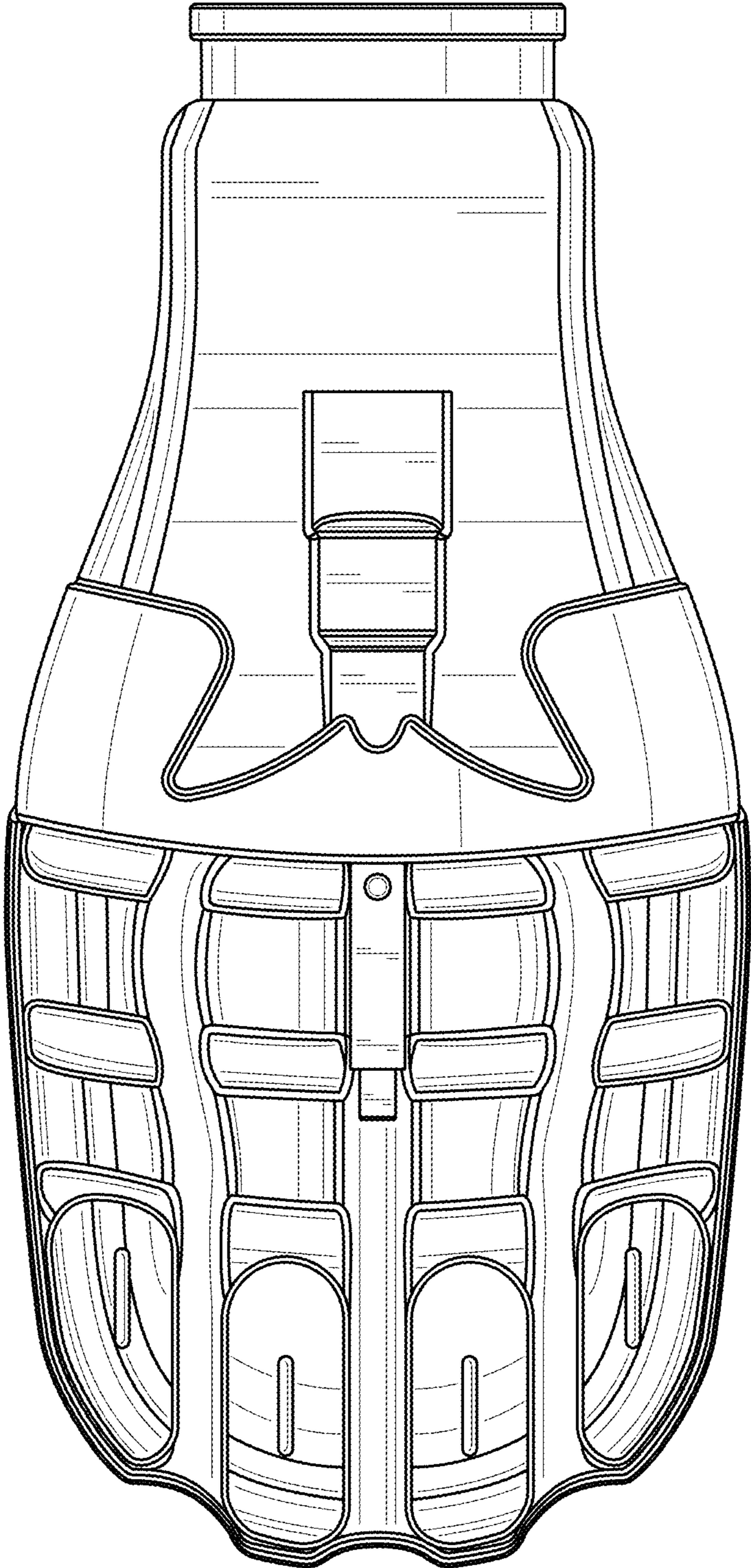


FIG. 7