



US00D806329S

(12) **United States Design Patent** (10) **Patent No.:** **US D806,329 S**
Carlehed et al. (45) **Date of Patent:** **** Dec. 26, 2017**

(54) **WASHING MACHINE**

(71) Applicant: **GORENJE GOSPODINJSKI APARATI, D.D.**, Velenje (SI)
 (72) Inventors: **Jon Carlehed**, Lidköping (SE);
Johanna Wahlin Eriksson, Lidköping (SE)

(**) Term: **15 Years**

(21) Appl. No.: **35/500,988**

(22) Filed: **Apr. 25, 2016**

(80) **Hague Agreement Data**

Int. Filing Date: **Apr. 25, 2016**
 Int. Reg. No.: **DM/090538**
 Int. Reg. Date: **Apr. 25, 2016**
 Int. Reg. Pub. Date: **May 20, 2016**

(51) **LOC (10) Cl.** **15-05**

(52) **U.S. Cl.**
 USPC **D32/6**
 CPC **D06F 39/045** (2013.01)

(58) **Field of Classification Search**

USPC D32/29.1, 29, 1, 5, 6, 8, 10, 25, 28;
 D6/510; D7/348-349; D9/420-432
 CPC D06F 39/045; D06F 29/00; D06F 29/005;
 D06F 25/00; D06F 39/022; D06F 33/02;
 D06F 2204/065; D06F 35/006; A47L
 15/4418

See application file for complete search history.

(56) **References Cited**

U.S. PATENT DOCUMENTS

D477,898 S *	7/2003	Geyer	D32/6
D613,009 S *	3/2010	DeSalvo	D32/6
D694,967 S *	12/2013	Jeon	D32/6
D697,678 S *	1/2014	Jeon	D32/6
D702,407 S *	4/2014	Geyer	D32/28
D756,047 S *	5/2016	Choi	D32/25
D787,759 S *	5/2017	Geyer	D32/6
D789,623 S *	6/2017	Park	D32/6
D793,013 S *	7/2017	Kang	D32/6
D794,267 S *	8/2017	Kang	D32/6
D794,887 S *	8/2017	Kim	D32/29.1

* cited by examiner

Primary Examiner — Richard E Chilcot

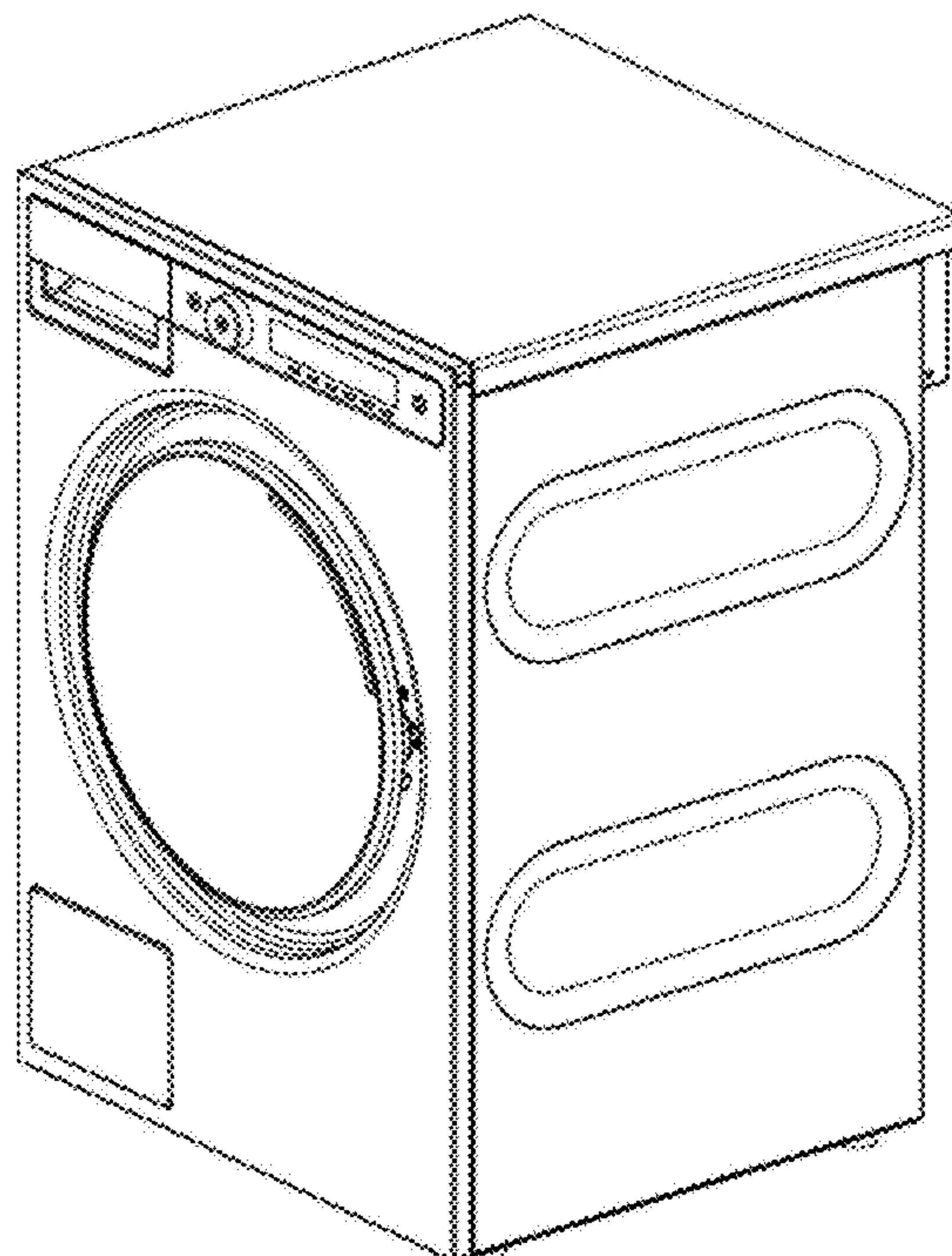
(57) **CLAIM**

The ornamental design for a washing machine, as shown and described.

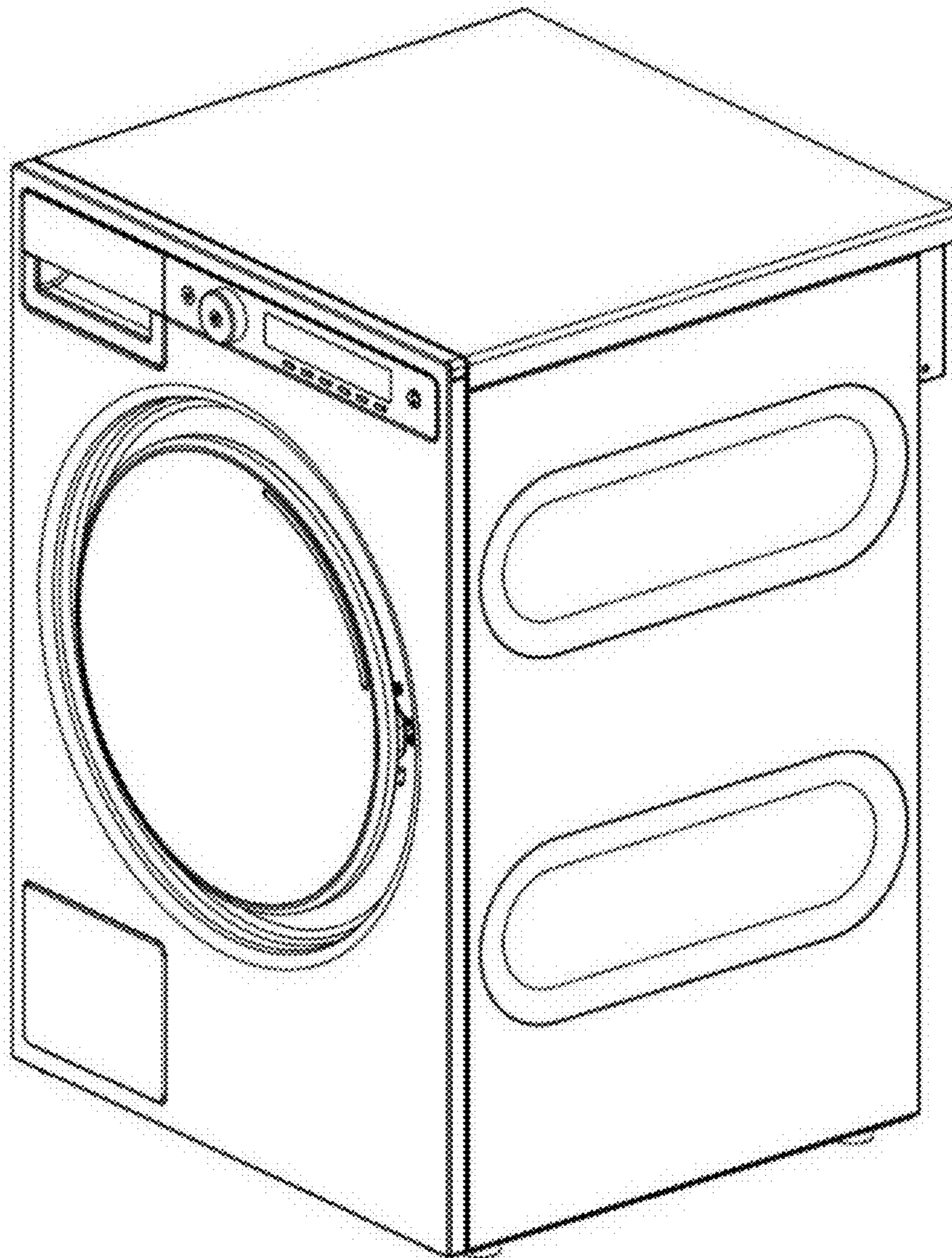
DESCRIPTION

9. Washing machine
 Figure 9.1 is a right-side perspective view of the embodiment for a washing machine.
 Figure 9.2 is a front elevation view.
 Figure 9.3 is a partial front elevation view.

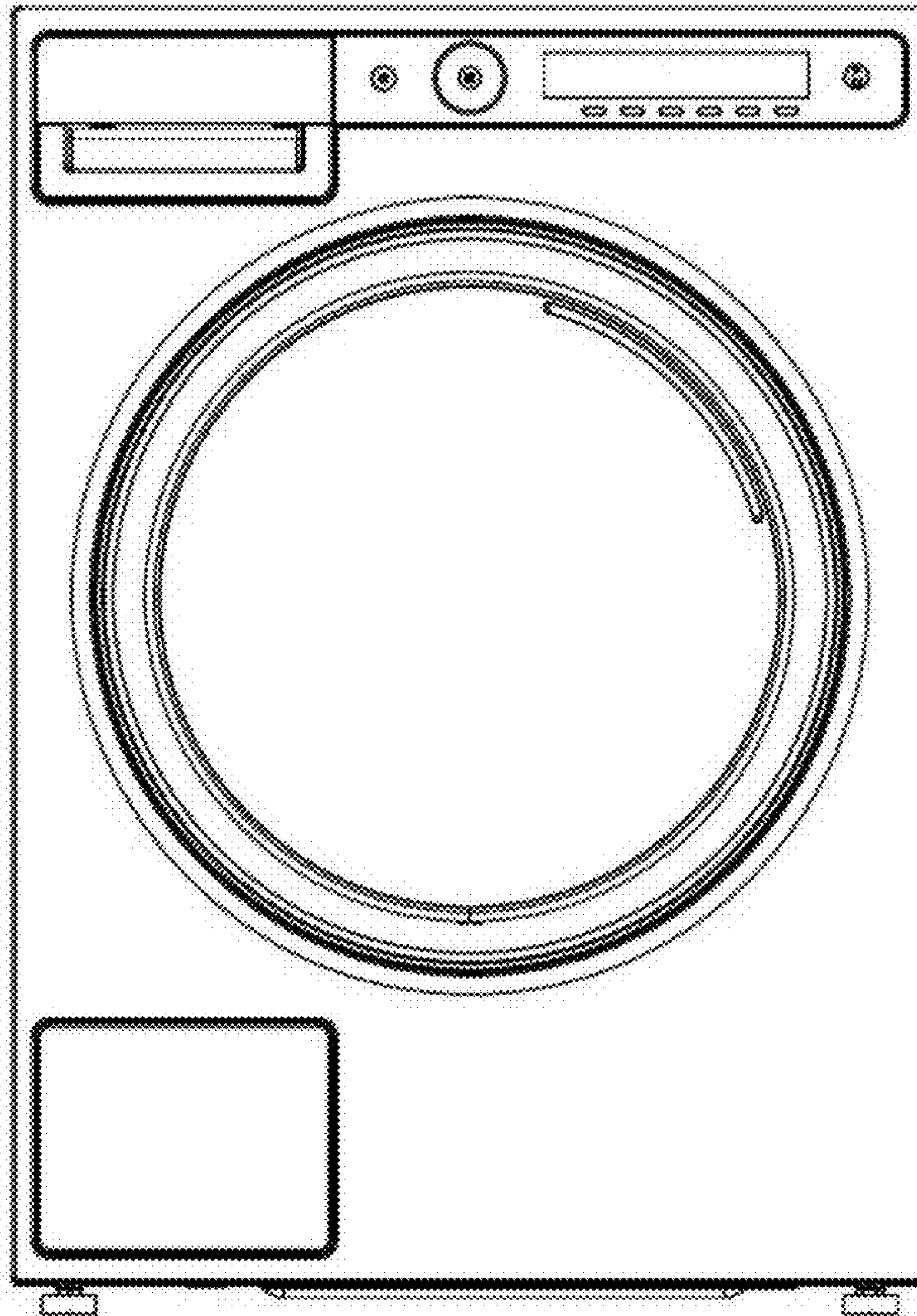
1 Claim, 3 Drawing Sheets



9.1



9.2



9.3

