



US00D806326S

(12) **United States Design Patent** (10) **Patent No.:** **US D806,326 S**
Blaska (45) **Date of Patent:** **** Dec. 26, 2017**

(54) **CLIP-ON VOICE TAG FOR A PET COLLAR**

2007/0221140 A1 9/2007 Warren
2011/0132275 A1* 6/2011 Huo A01K 15/021
119/720
2012/0212937 A1* 8/2012 Muller A01K 27/006
362/103
2014/0238312 A1 8/2014 Wingate
2014/0261233 A1* 9/2014 So A01K 15/021
119/720

(71) Applicant: **Michael Joseph Blaska**, Clarkson, MI (US)

(72) Inventor: **Michael Joseph Blaska**, Clarkson, MI (US)

(**) Term: **15 Years**

OTHER PUBLICATIONS

(21) Appl. No.: **29/573,956**

“15 Coolest Dog Tracking GPS and Trackers”. Found online Feb. 11, 2016 at crookedbrains.net. Page dated Apr. 16, 2014. Retrieved from <http://www.crookedbrains.net/2014/04/coolest-dog-tracking-gps-and-trackers.html>.*

(22) Filed: **Aug. 10, 2016**

(51) **LOC (10) Cl.** **30-04**

(52) **U.S. Cl.**
USPC **D30/152**

(58) **Field of Classification Search**
USPC D30/144, 151, 152, 155, 199; D24/190;
D2/627, 894; D29/100, 101.1, 101.2;
D11/3; D8/300
CPC A01K 27/001; A01K 27/006
See application file for complete search history.

(Continued)

Primary Examiner — Robert M. Spear
Assistant Examiner — Kendra Leslie Hamilton
(74) *Attorney, Agent, or Firm* — Quickpatents, LLC;
Kevin Prince

(56) **References Cited**

U.S. PATENT DOCUMENTS

3,585,743 A * 6/1971 Jeffers A01K 27/006
40/665
5,355,839 A 10/1994 Mistry
5,752,335 A * 5/1998 Shimogori A01K 11/00
40/300
D409,803 S * 5/1999 Yoka D30/152
5,955,953 A 9/1999 Hanson
6,003,473 A 12/1999 Printz
D445,707 S * 7/2001 Zakhakyan D30/152
D555,298 S * 11/2007 Garon D30/152
D706,500 S * 6/2014 Hu D30/152
D708,793 S * 7/2014 Silverlieb D26/38
9,314,002 B2 * 4/2016 Franey A01K 27/006
D788,999 S * 6/2017 Zinn D30/152
2003/0116101 A1 * 6/2003 Kim A01K 15/021
119/720
2006/0102100 A1 5/2006 Be4cker

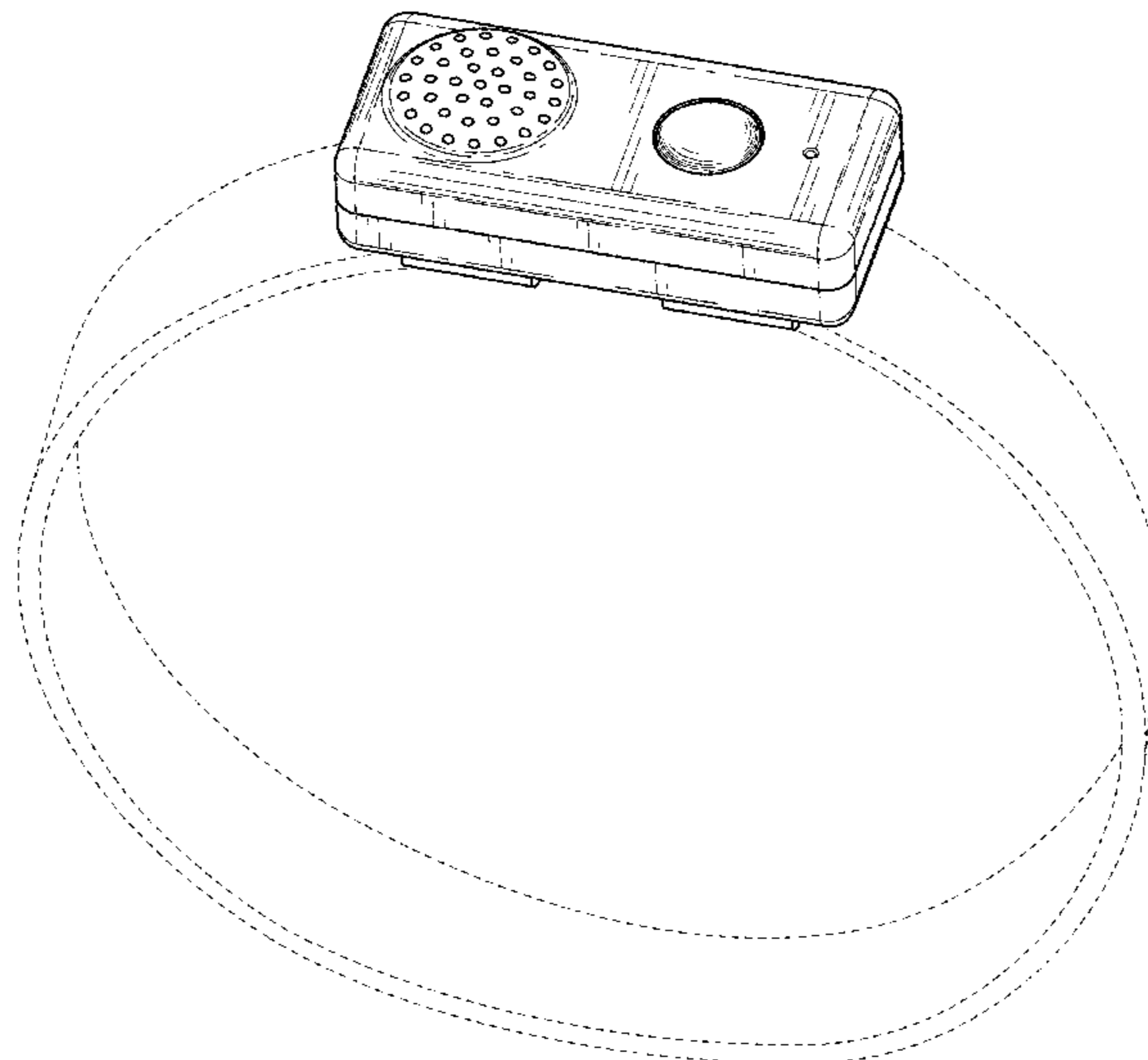
(57) **CLAIM**

I claim the ornamental design for a clip-on voice tag for a pet collar, as shown and described.

DESCRIPTION

FIG. 1 is a perspective view of a clip-on voice tag for a pet collar, showing my new design;
FIG. 2 is a top plan view thereof;
FIG. 3 is a bottom plan view thereof;
FIG. 4 is a front elevational view thereof;
FIG. 5 is a rear elevational view thereof;
FIG. 6 is a right-side elevational view thereof; and,
FIG. 7 is a left-side elevational view thereof.
The broken lines showing a pet collar in FIG. 1 depict environmental matter and form no part of the claimed design.

1 Claim, 3 Drawing Sheets



(56)

References Cited

OTHER PUBLICATIONS

“High Tech Pet Radio Super Dog Electric Fence Collar”. Found online Dec. 8, 2016 at walmart.com. Page dated Mar. 7, 2008. Retrieved from <https://www.walmart.com/ip/High-Tech-Pet-Products-Inc.-Radio-Collar-Super-Electronic-Fence/16675975>.*

“PetSafe Wireless Pet Containment System Receiver Collar for Doge”. Found online Sep. 7, 2017 at amazon.com. Page dated Feb. 7, 2007. Retrieved from https://www.amazon.com/PetSafe-Wireless-Containment-Waterproof-Correction/dp/B000A09C4K/ref=cm_cr_ar_p_d_product_top?ie=UTF8.*

“Voyce: The Wearable Device”. Found online Feb. 8, 2016 at tech.co. Page dated Jan. 7, 2014. Retrieved from <http://tech.co/voyce-wearable-device-quantified-dog-2014-01>.*

* cited by examiner

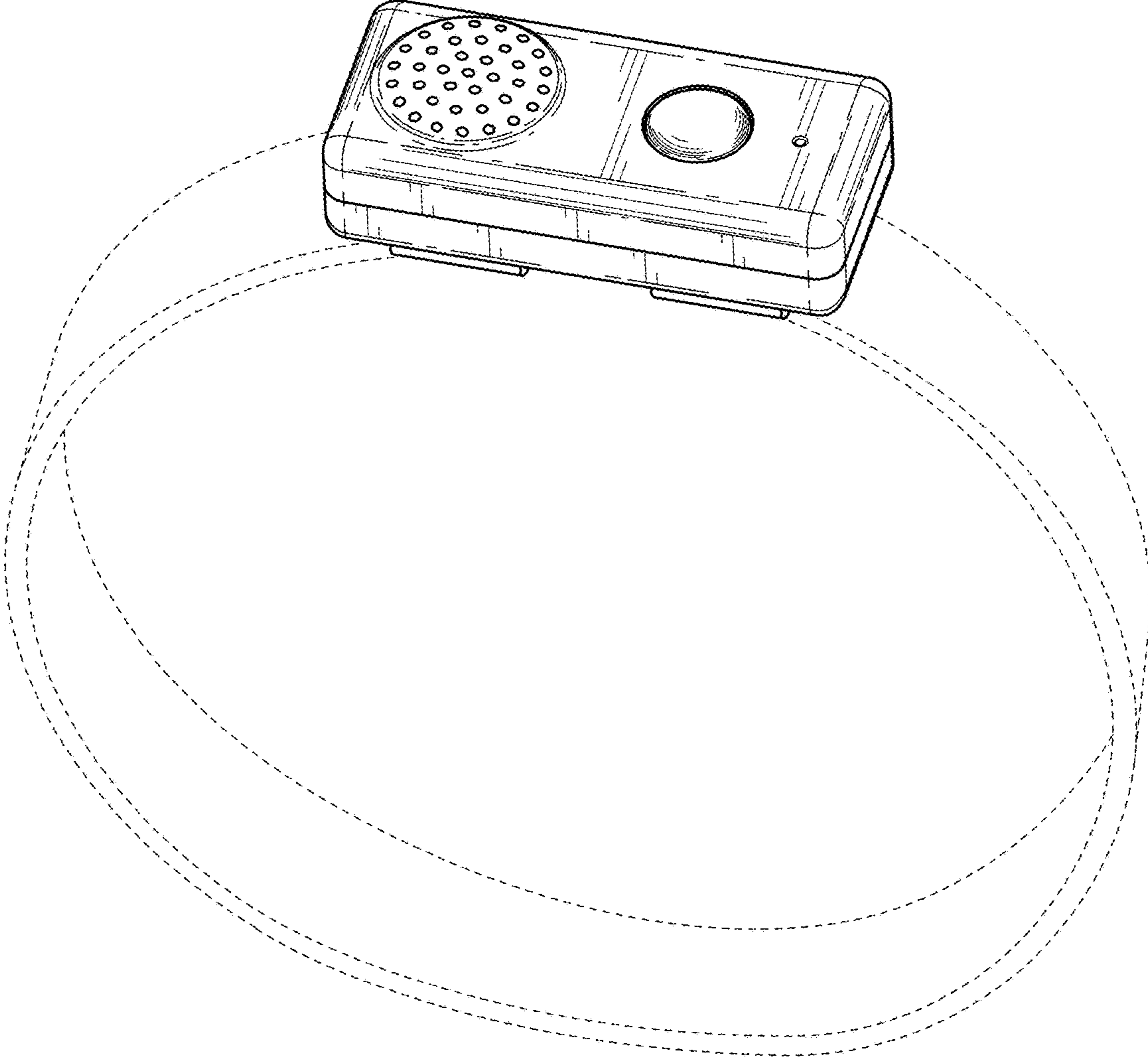


FIG. 1

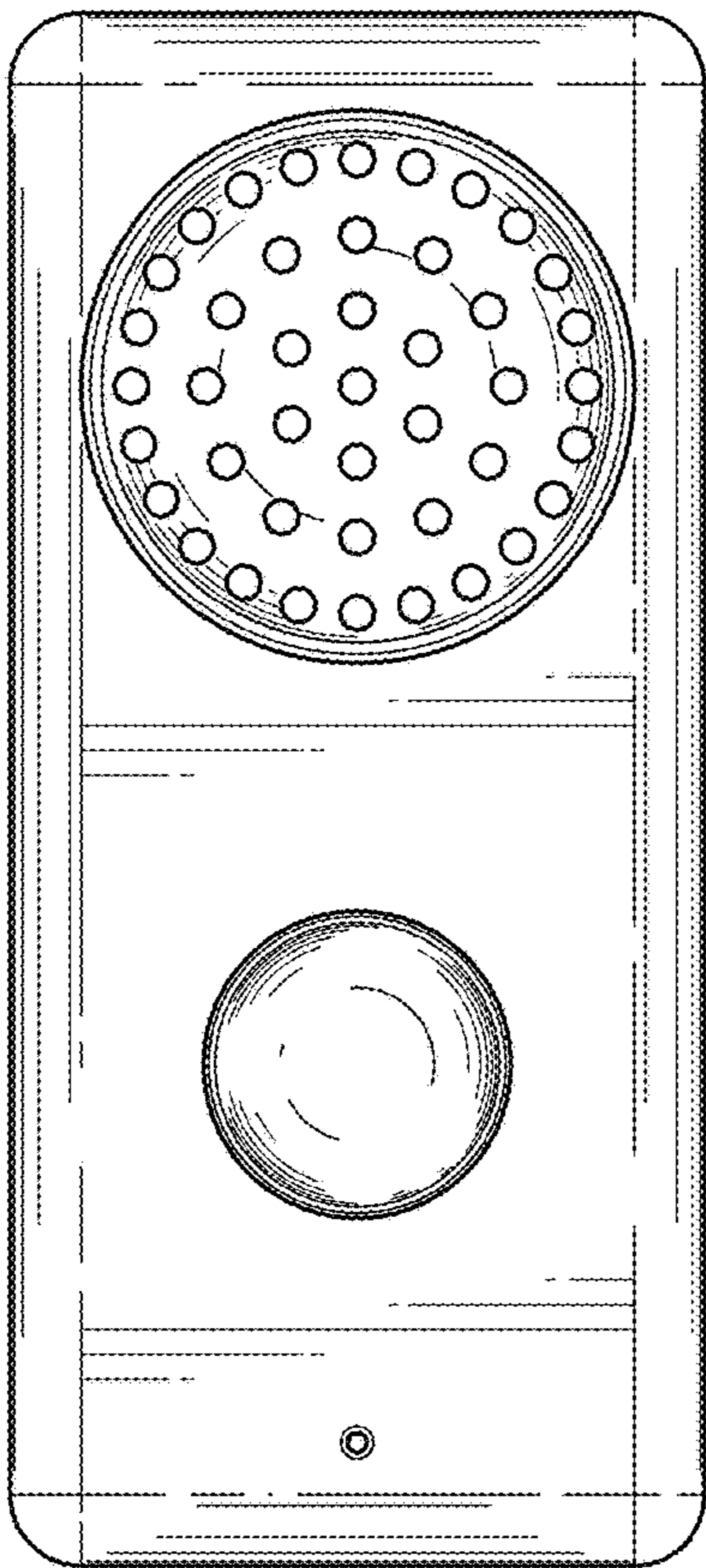


FIG. 2

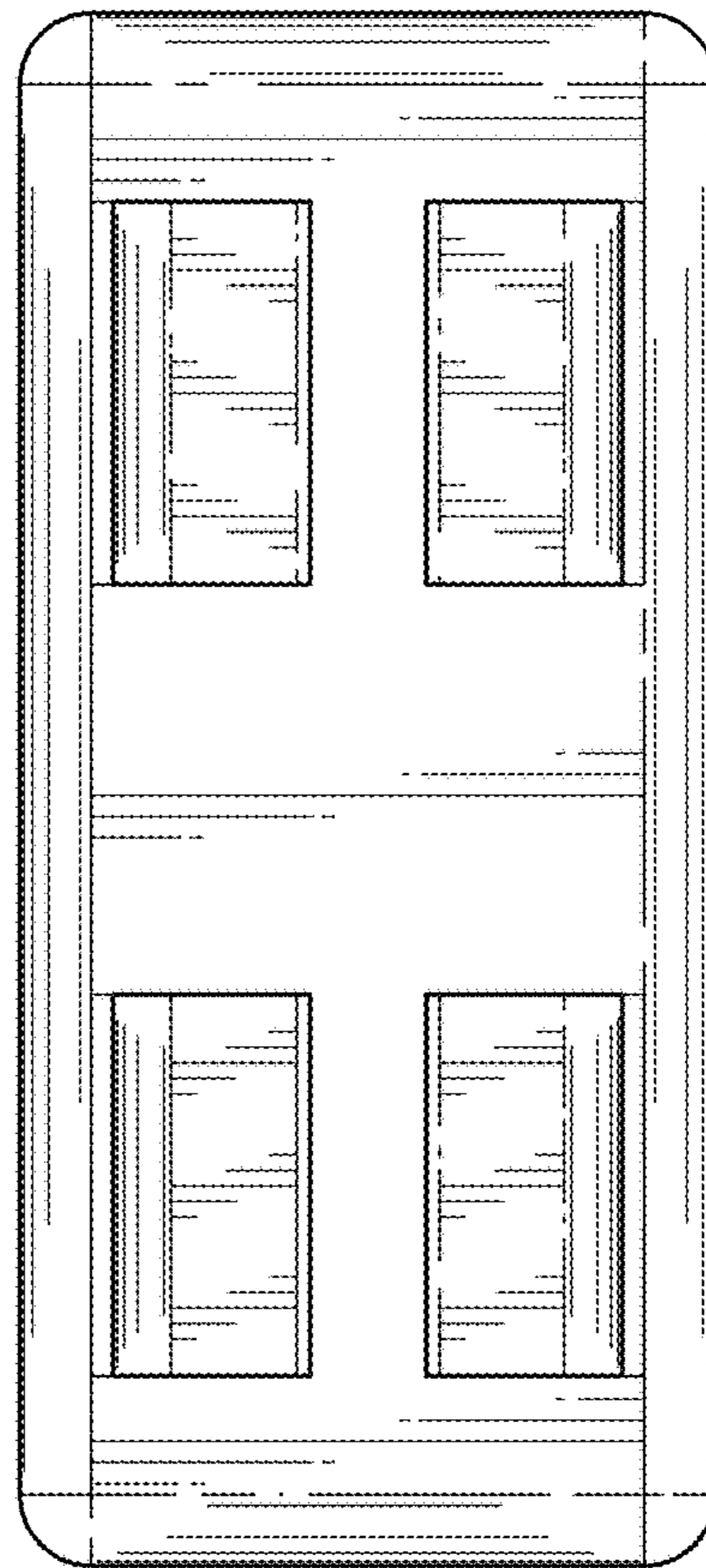


FIG. 3



FIG. 4

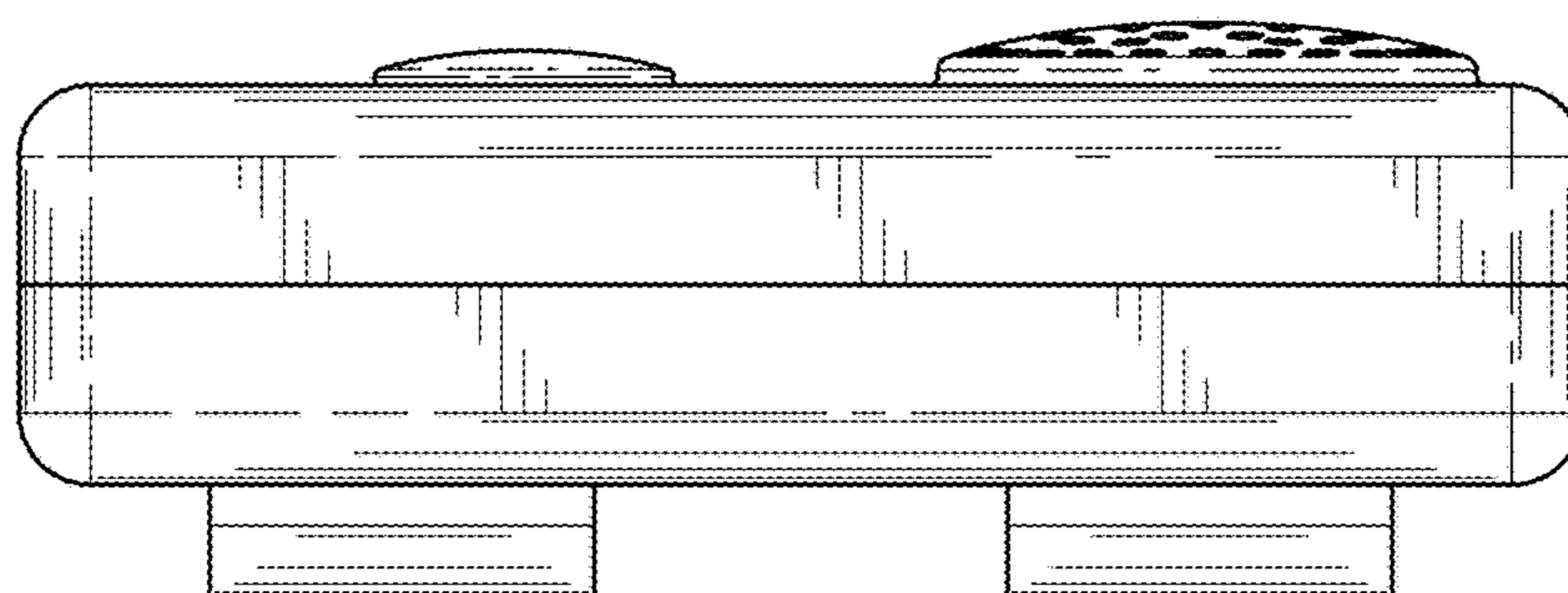


FIG. 5

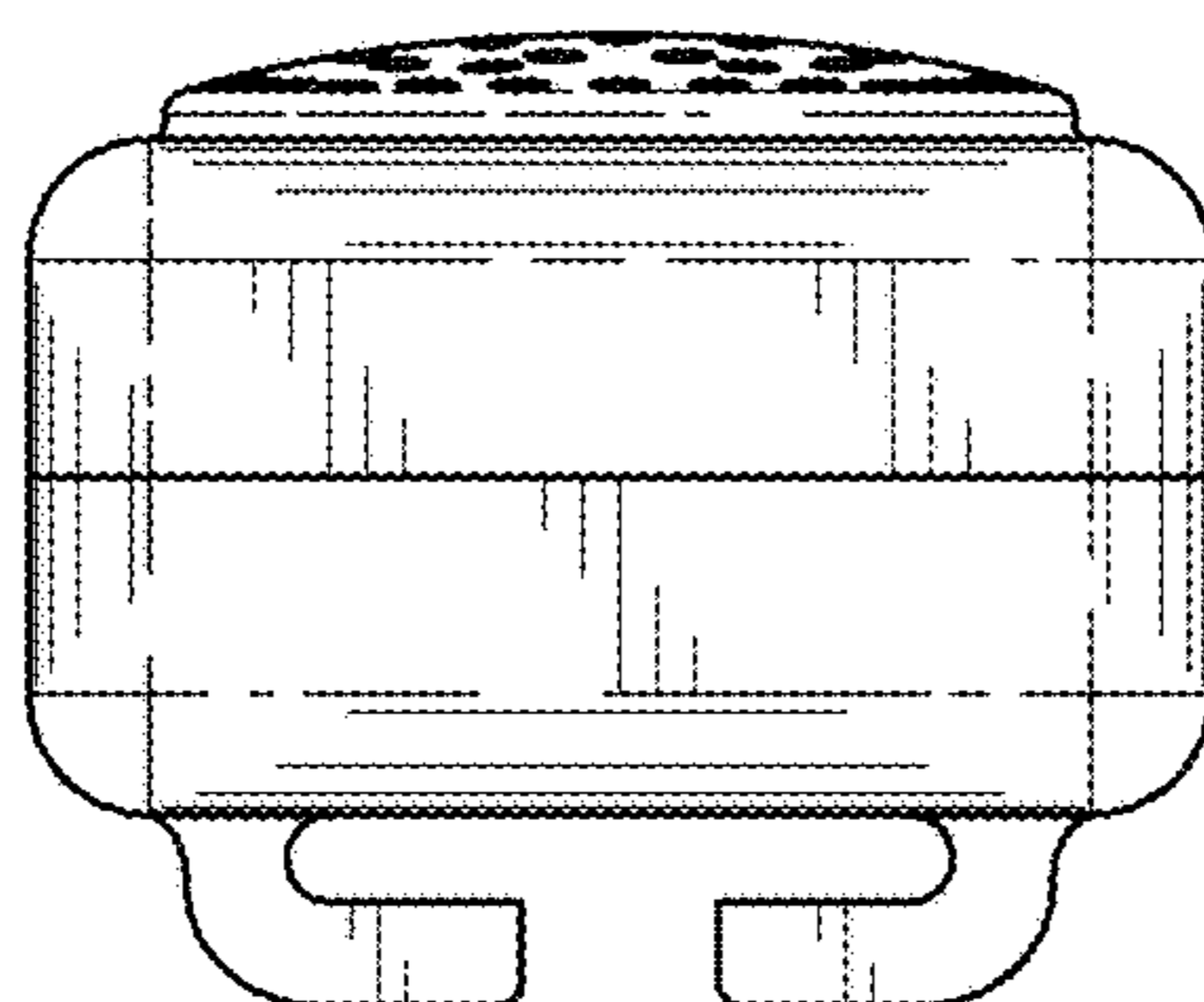


FIG. 6

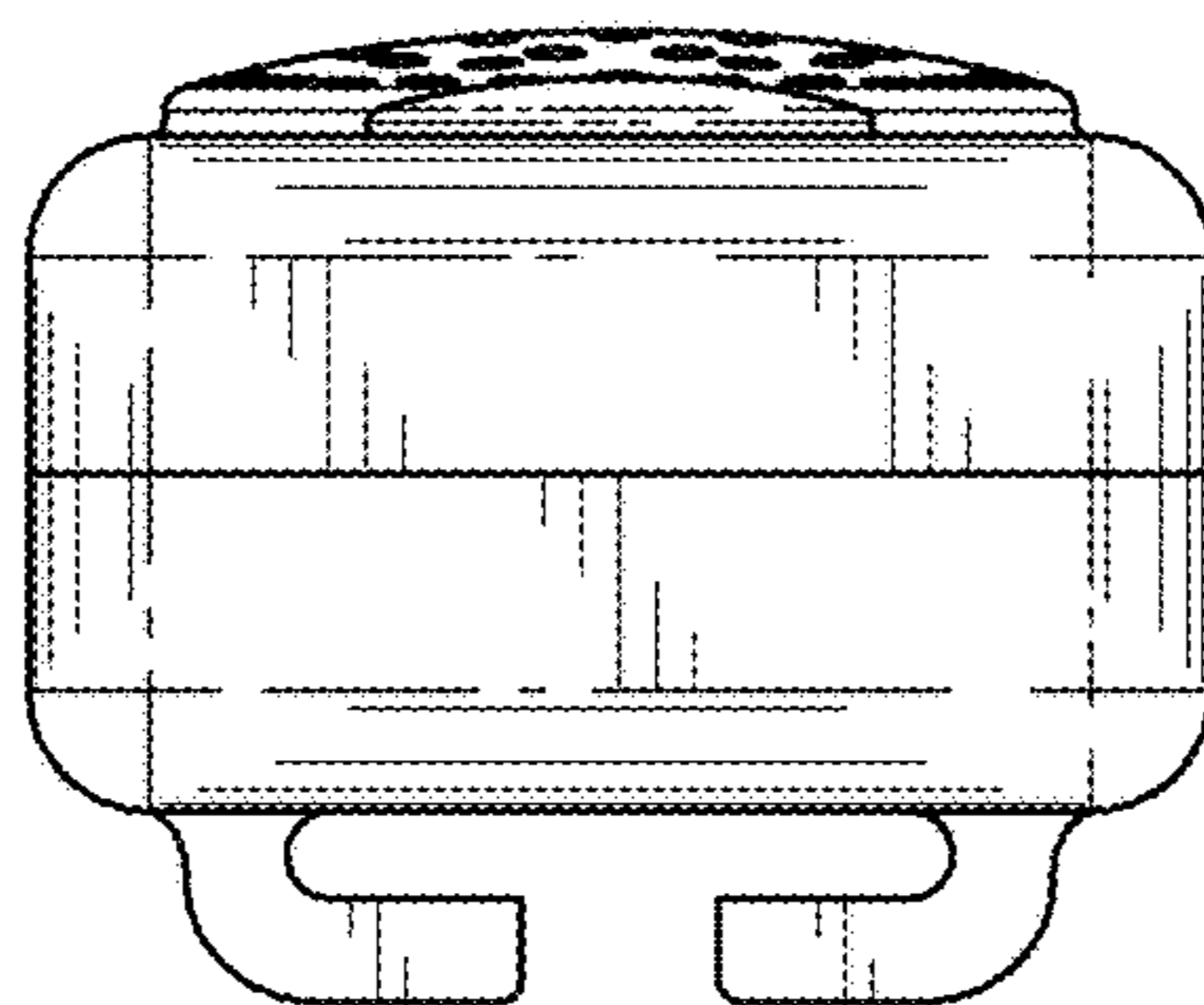


FIG. 7