

US00D806319S

(12) **United States Design Patent** (10) **Patent No.:** **US D806,319 S**
Pears (45) **Date of Patent:** **** Dec. 26, 2017**

(54) **FACE PROTECTOR**

(56) **References Cited**

(71) Applicant: **TOMORROW TODAY (NZ) LIMITED**, Palmerston North (NZ)

U.S. PATENT DOCUMENTS

(72) Inventor: **Samuel Pears**, Barwell (GB)

D349,978 S * 8/1994 Copeland D29/111
D355,394 S * 2/1995 Bezener D29/111
D379,159 S * 5/1997 Jackson D29/111
D463,885 S * 10/2002 Burns D29/111

(73) Assignee: **Tomorrow Today (NZ) Limited**, Palmerston North (NZ)

* cited by examiner

(**) Term: **15 Years**

Primary Examiner — Robert A Delehanty

(21) Appl. No.: **29/583,348**

(74) *Attorney, Agent, or Firm* — Thomas Coester
Intellectual Property

(22) Filed: **Nov. 4, 2016**

(57) **CLAIM**

The ornamental design for a face protector, as shown and described.

(30) **Foreign Application Priority Data**

DESCRIPTION

May 26, 2016 (EM) 003155159-0001

(51) **LOC (10) Cl.** **29-02**

(52) **U.S. Cl.**
USPC **D29/111**

(58) **Field of Classification Search**
USPC D29/111, 108, 102, 105-107, 122;
D24/110.1; D2/866; D21/660
CPC .. A42B 3/20; A42B 3/22; A42B 3/221; A42B
3/222; A42B 3/223; A41D 13/11; A41D
13/1184; A62B 18/02; A62B 18/04; A62B
18/08; A62B 18/084

FIG. 1 is a first perspective view of a face protector according to one embodiment of the invention.

FIG. 2 is a front view of the face protector of FIG. 1.

FIG. 3 is a rear view of the face protector of FIG. 1.

FIG. 4 is a right side view of the face protector of FIG. 1.

FIG. 5 is a left side view of the face protector of FIG. 1.

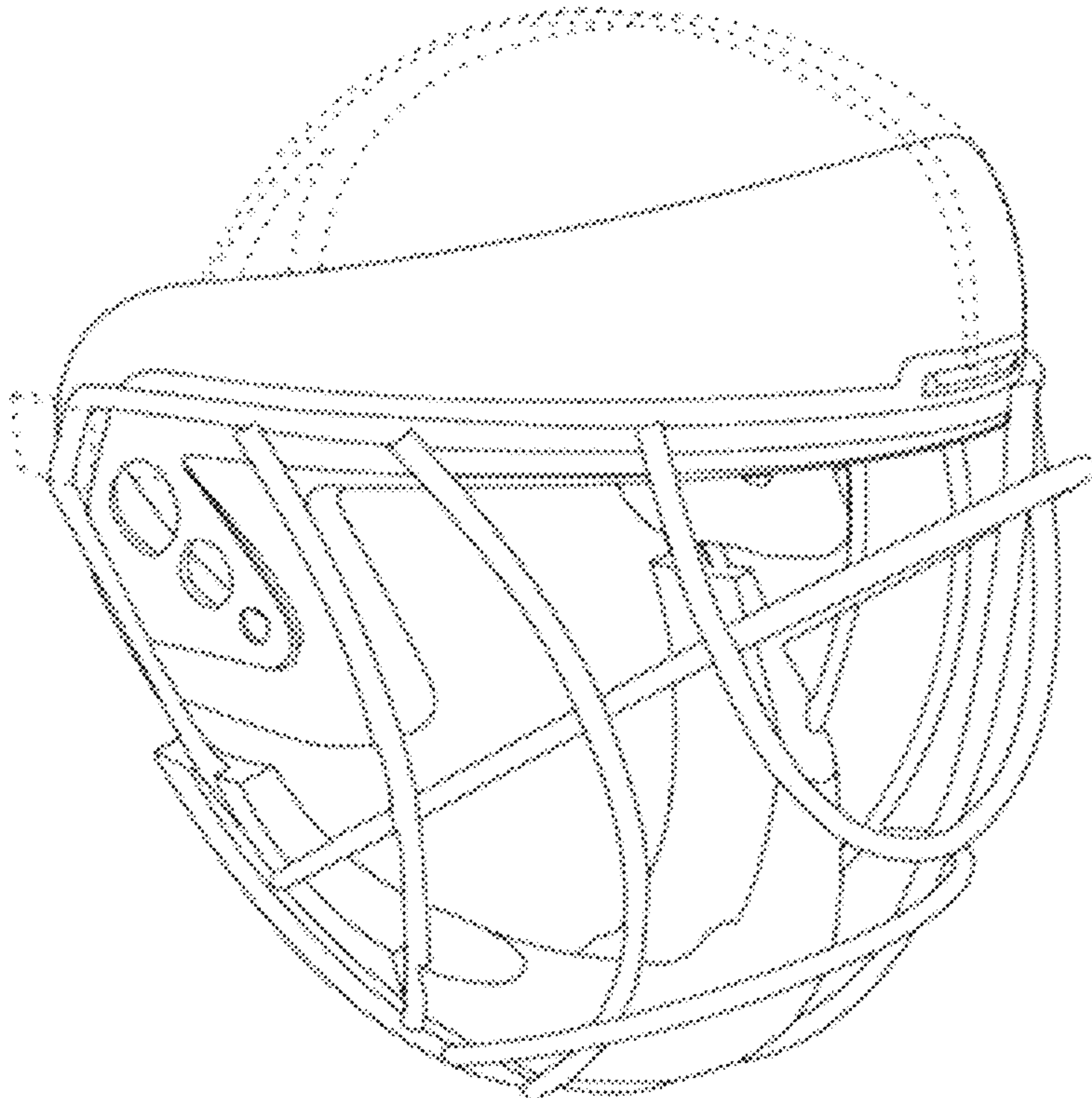
FIG. 6 is a top view of the face protector of FIG. 1; and,

FIG. 7 is a bottom view of the face protector of FIG. 1.

The broken lines shown in the drawings are for environmental purposes only and form no part of the claimed design.

See application file for complete search history.

1 Claim, 7 Drawing Sheets



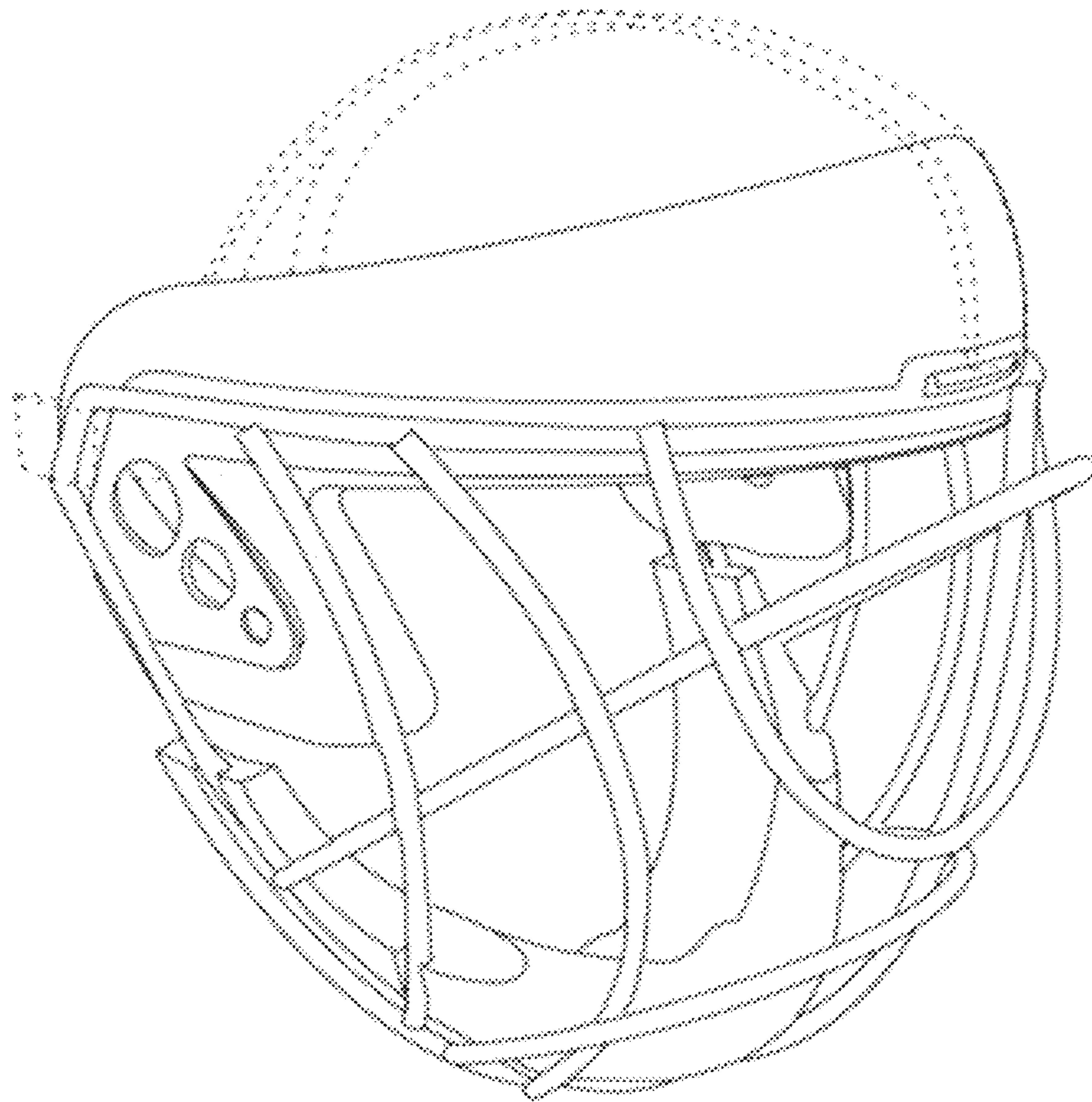


FIG. 1

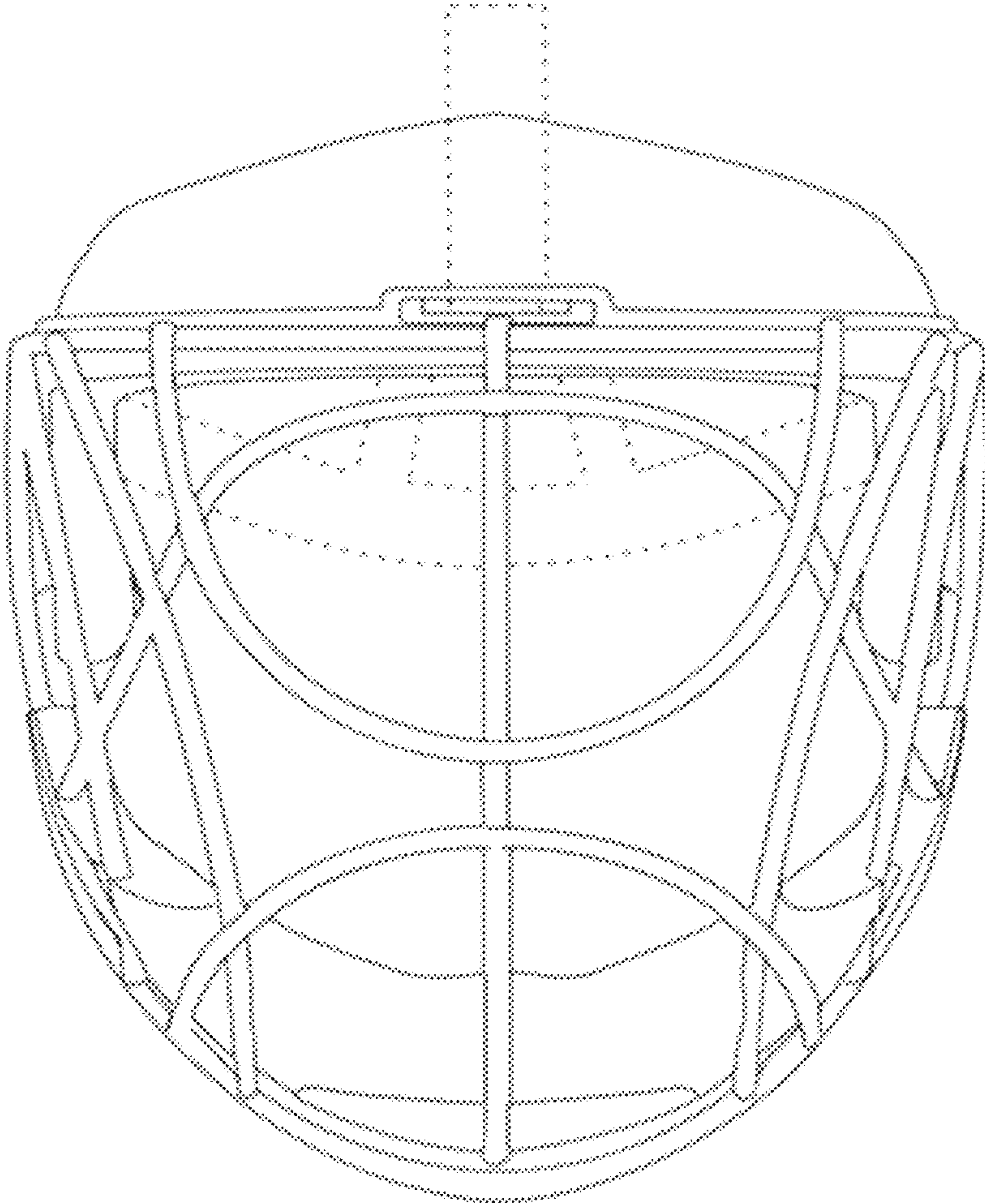


FIG. 2

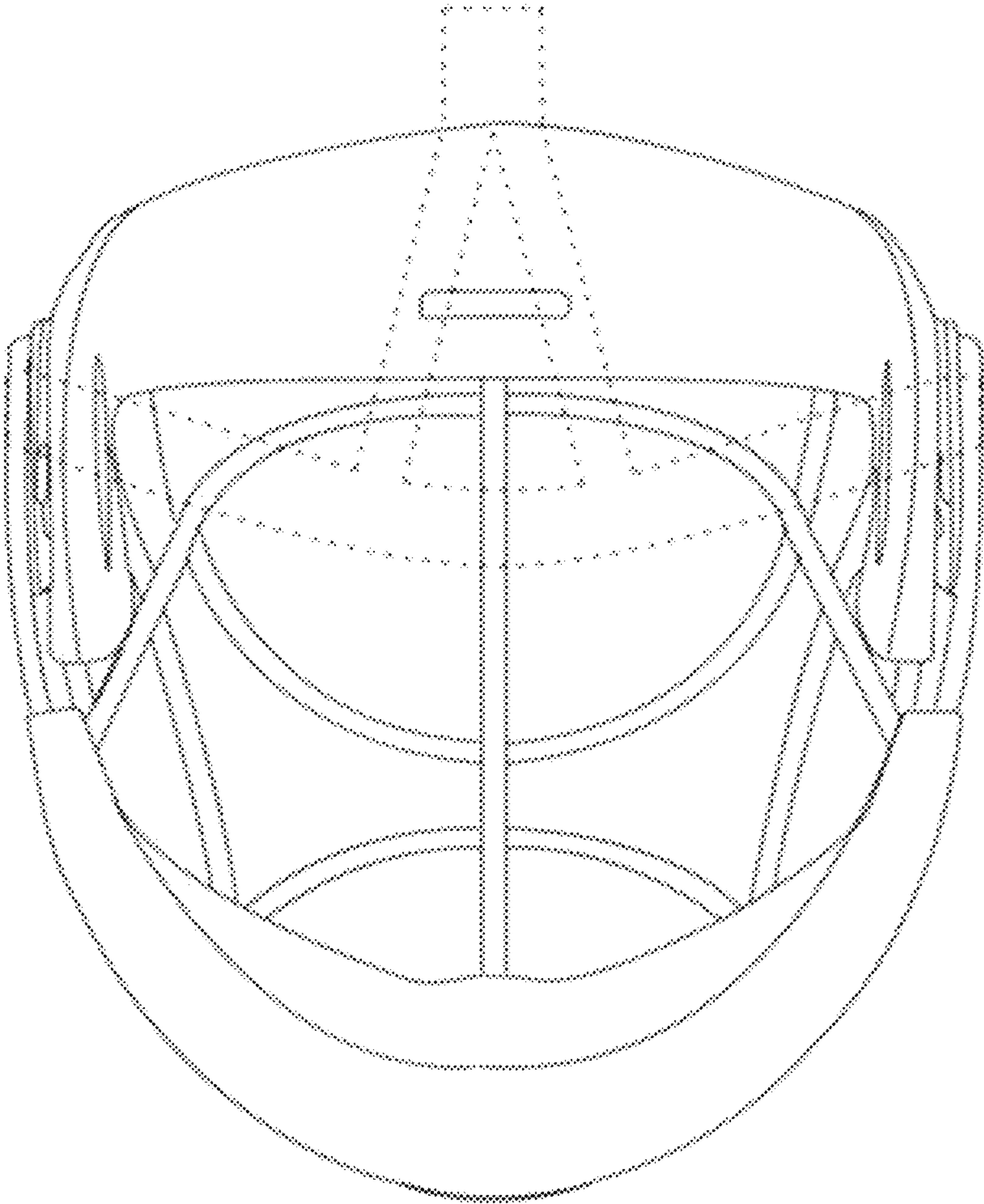


FIG. 3

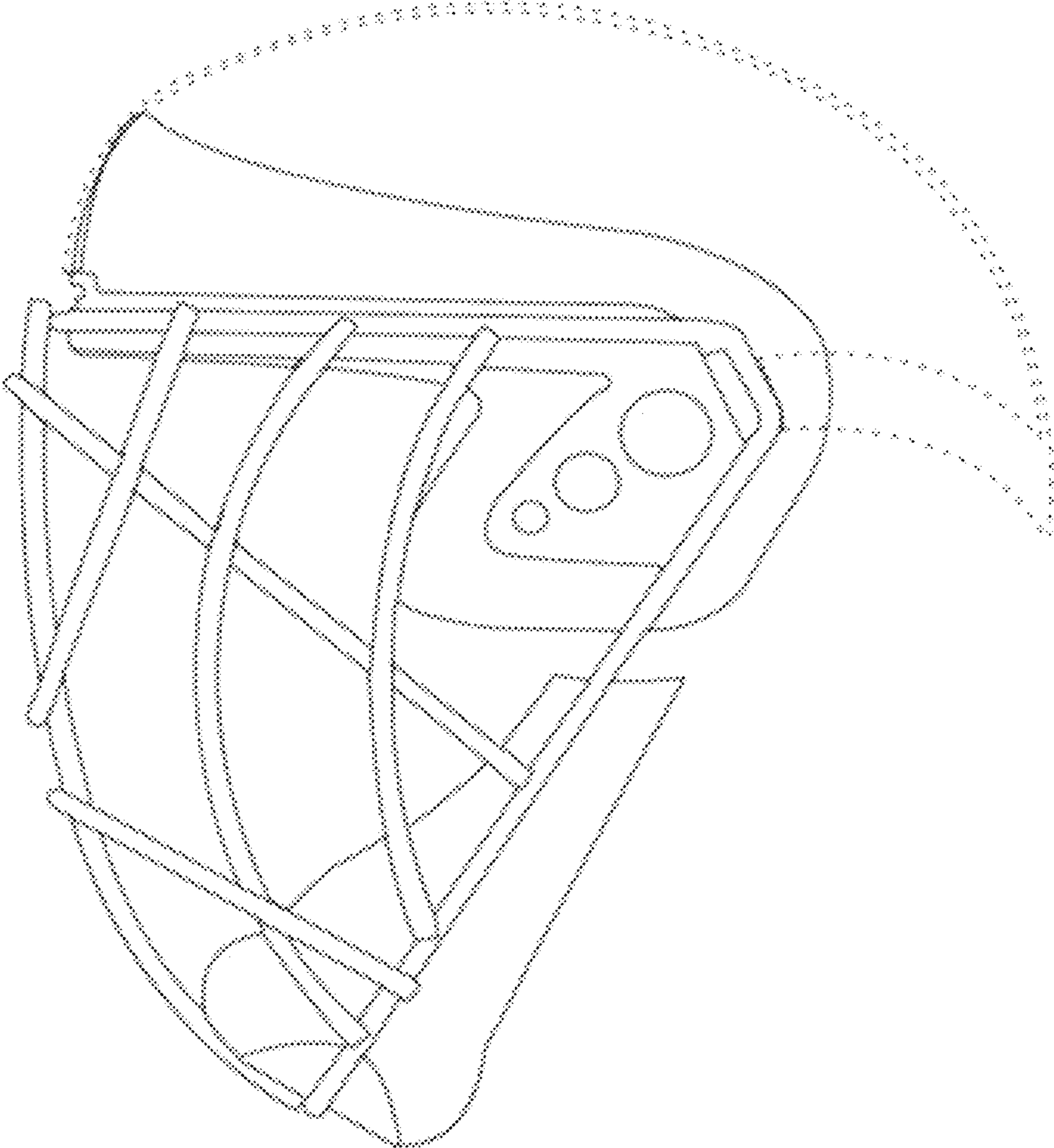


FIG. 4

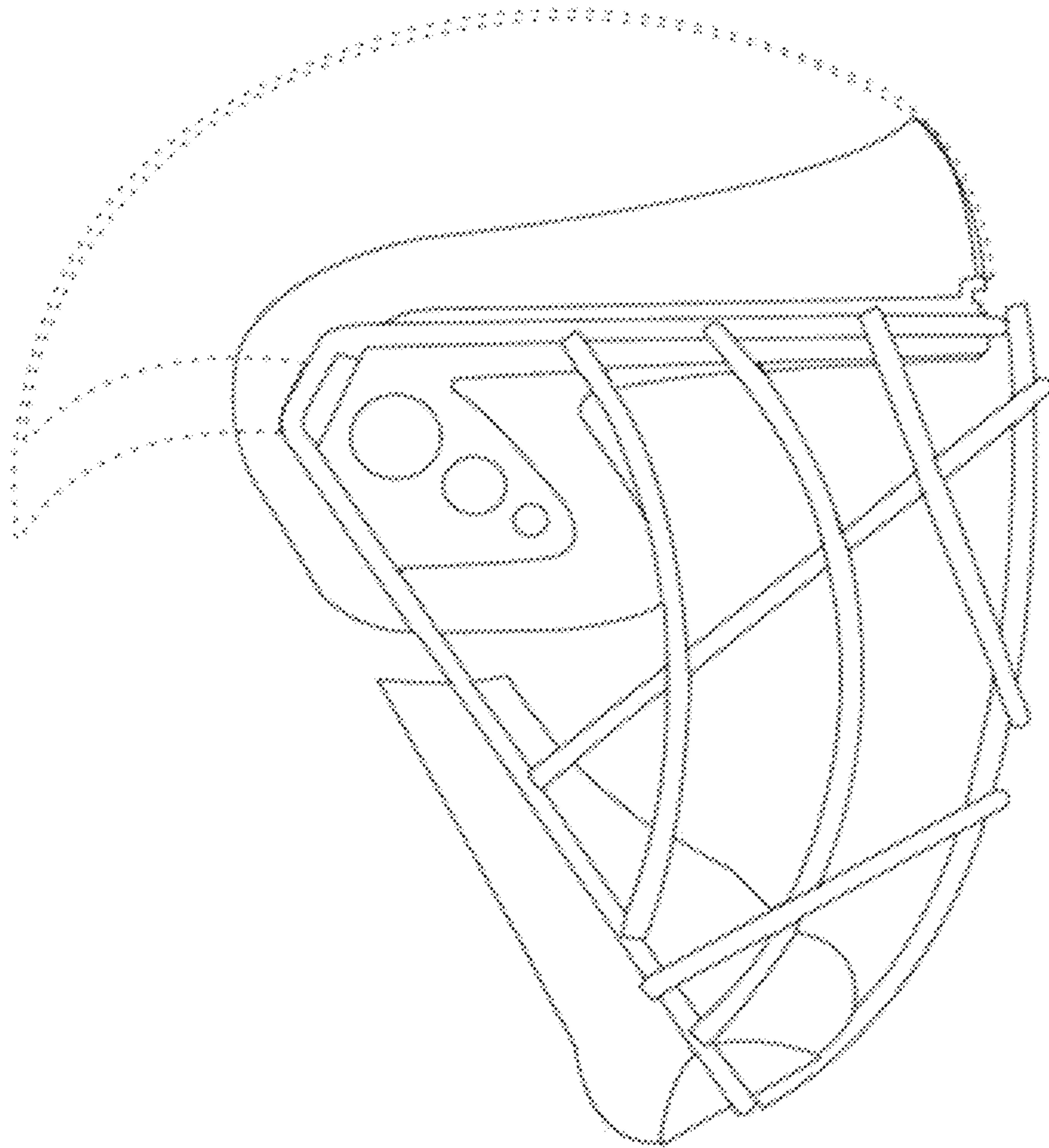


FIG. 5

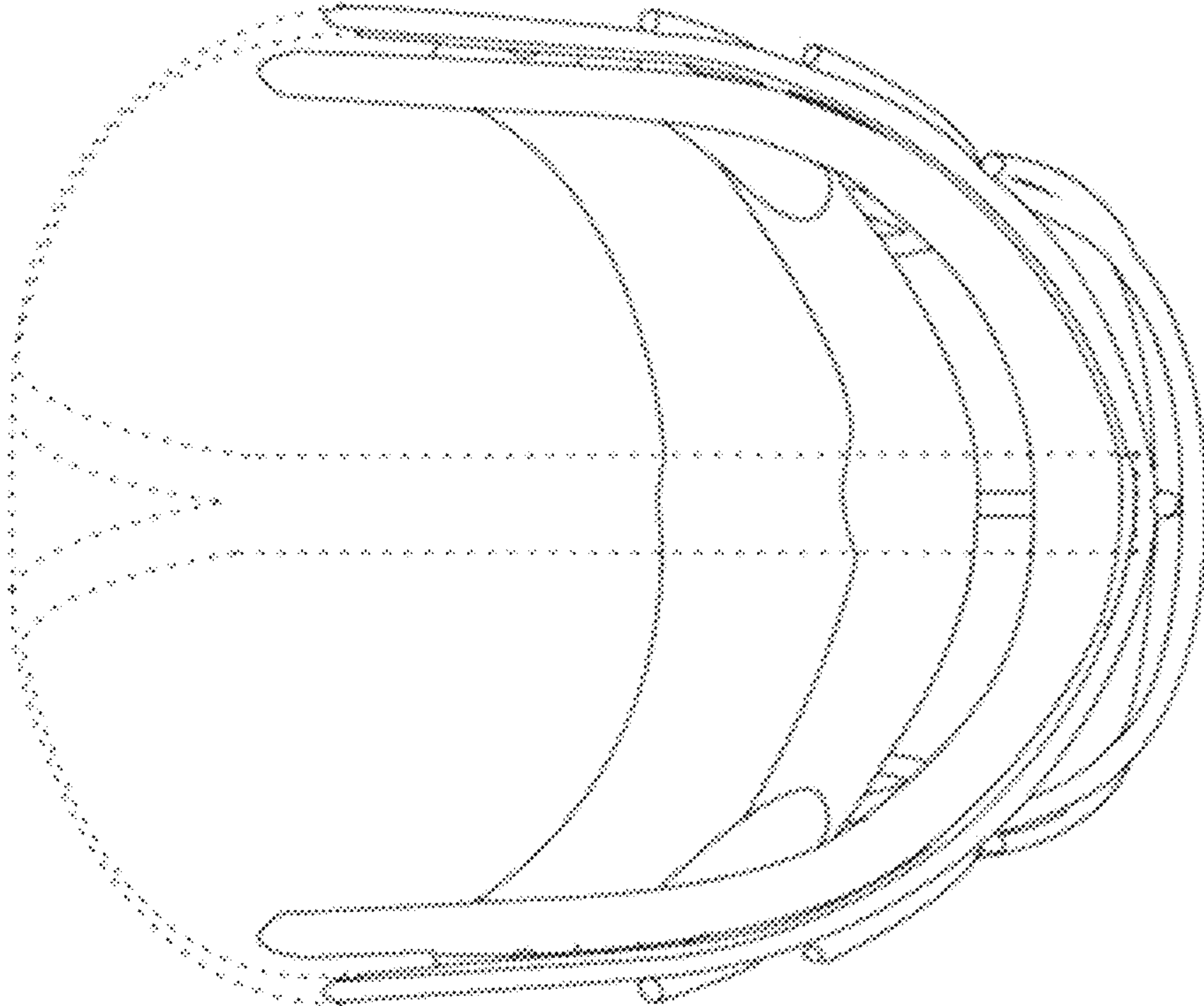


FIG. 6

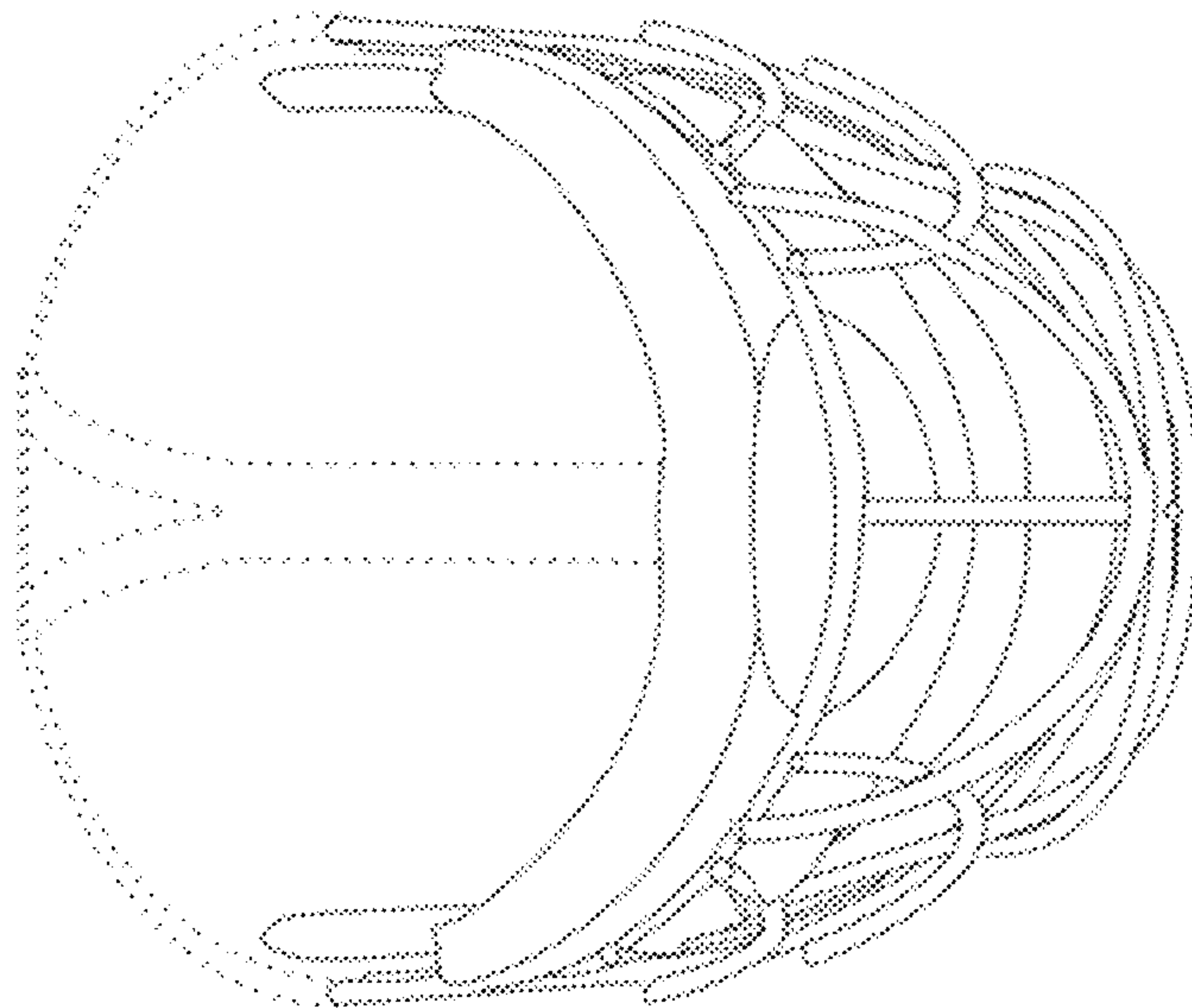


FIG. 7

UNITED STATES PATENT AND TRADEMARK OFFICE
CERTIFICATE OF CORRECTION

PATENT NO. : D806,319 S
APPLICATION NO. : 29/583348
DATED : December 26, 2017
INVENTOR(S) : Samuel Pears

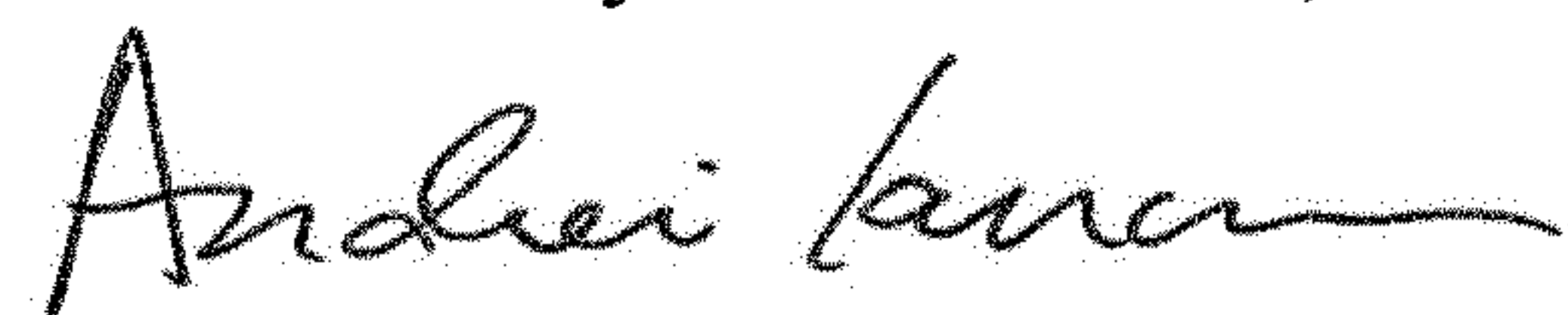
Page 1 of 1

It is certified that error appears in the above-identified patent and that said Letters Patent is hereby corrected as shown below:

On the Title Page

In Item [30] under Foreign Application Priority Data, at Line 1, please delete "May 26, 2016" and insert --Aug. 11, 2016--.

Signed and Sealed this
Eleventh Day of December, 2018



Andrei Iancu
Director of the United States Patent and Trademark Office