



US00D806315S

(12) **United States Design Patent** (10) **Patent No.:** **US D806,315 S**  
**Hardwick** (45) **Date of Patent:** **\*\* Dec. 26, 2017**

(54) **EYELID MAKEUP APPLICATOR**  
(71) Applicant: **Megan M. Hardwick**, Anders, TX (US)  
(72) Inventor: **Megan M. Hardwick**, Anders, TX (US)  
(\*\*) Term: **15 Years**  
(21) Appl. No.: **29/593,618**  
(22) Filed: **Feb. 10, 2017**

**Related U.S. Application Data**

(63) Continuation of application No. 29/539,789, filed on Sep. 17, 2015, now Pat. No. Des. 780,994.  
(51) **LOC (10) Cl.** ..... **28-02**  
(52) **U.S. Cl.**  
USPC ..... **D28/7**  
(58) **Field of Classification Search**  
USPC ..... D28/7, 8, 9, 20, 21, 22, 30, 31, 63, 76, D28/85, 99; D18/14, 15; 132/317, 320  
CPC ..... A45D 40/30; A45D 40/262; A45D 33/18; A45D 2200/10; A45D 2200/1009; A45D 2200/1018; A45D 2200/1027; A45D 2200/1072  
See application file for complete search history.

**References Cited**

**U.S. PATENT DOCUMENTS**

6,508,255 B1 1/2003 Glover et al.  
7,334,586 B2 2/2008 Pilmanis  
D628,747 S \* 12/2010 Williams ..... D28/92  
D683,071 S 5/2013 Lorenz  
D694,955 S \* 12/2013 Gallina ..... D28/92  
D707,393 S 6/2014 Lorenz  
D742,590 S 11/2015 Johnson

D761,489 S 7/2016 Krakovski  
D765,909 S \* 9/2016 Marchica ..... D28/7  
D776,870 S \* 1/2017 Jones ..... D28/7  
D780,994 S \* 3/2017 Hardwick ..... D28/7  
9,635,924 B1 \* 5/2017 Herrera ..... A45D 40/30  
2010/0242539 A1 9/2010 Maxey  
2015/0083158 A1 3/2015 Abraham et al.

\* cited by examiner

*Primary Examiner* — Sheryl Lane  
*Assistant Examiner* — Calvin E Vansant  
(74) *Attorney, Agent, or Firm* — Polson Intellectual Property Law, PC; Margaret Polson

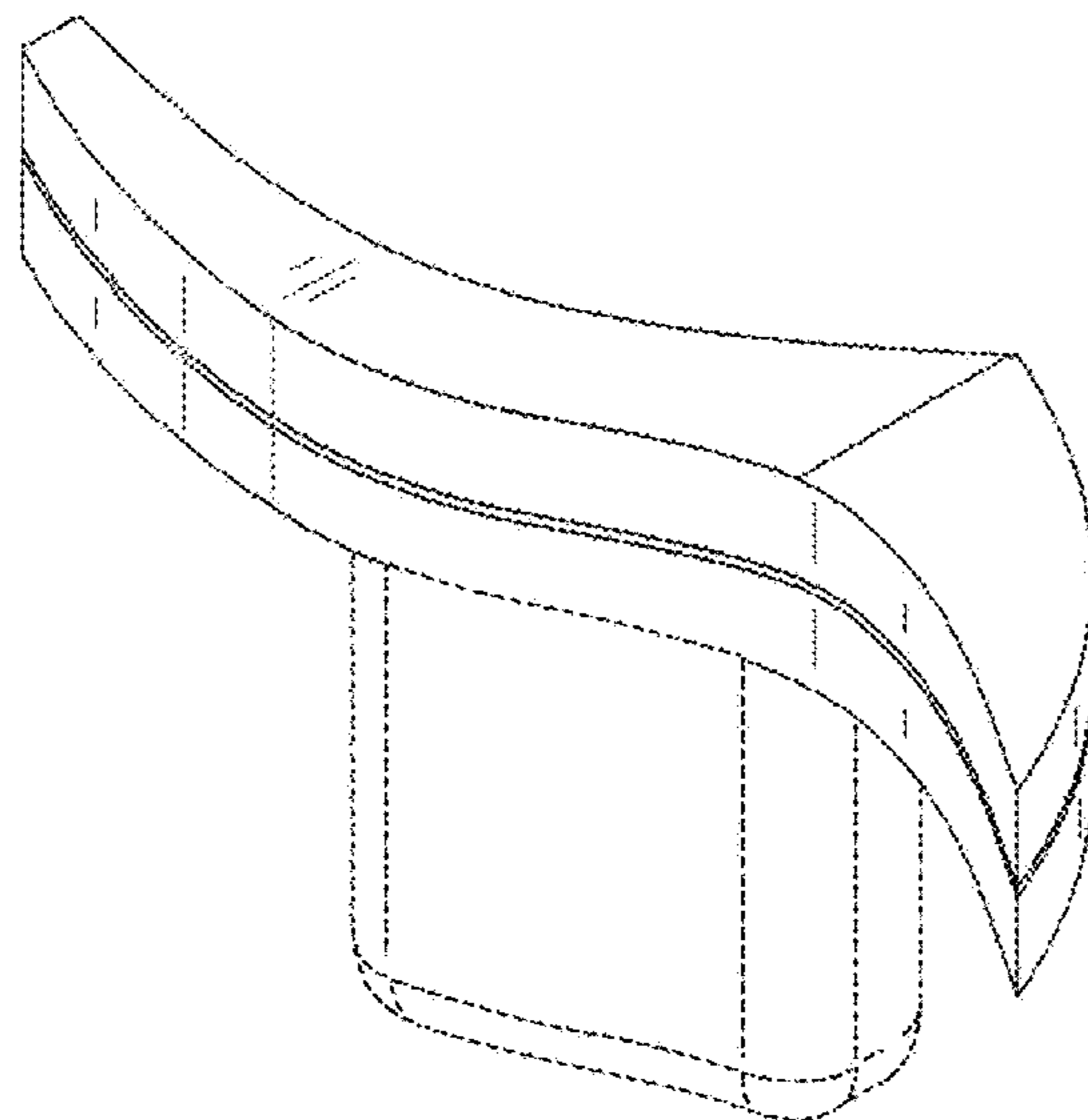
(57) **CLAIM**

The ornamental design for an eyelid makeup applicator, as shown and described.

**DESCRIPTION**

FIG. 1 is top perspective view of my new design of an eyelid makeup applicator.  
FIG. 2 is a rear elevation view FIG. 1.  
FIG. 3 is a front side elevation view of FIG. 1.  
FIG. 4 is a top plan view of FIG. 1.  
FIG. 5 is a bottom plan view of FIG. 1.  
FIG. 6 is a right side elevation view of FIG. 1.  
FIG. 7 is a left side elevation view of FIG. 1.  
FIG. 8 is top perspective view of a second embodiment of my new design of an eyelid makeup applicator.  
FIG. 9 is a rear elevation view FIG. 8.  
FIG. 10 is a front side elevation view of FIG. 8.  
FIG. 11 is a top plan view of FIG. 8.  
FIG. 12 is a bottom plan view of FIG. 8.  
FIG. 13 is a right side elevation view of FIG. 8; and, FIG. 14 is a left side elevation view of FIG. 8.  
The broken lines depict portions of the eyelid makeup applicator that form no part of the claim.

**1 Claim, 6 Drawing Sheets**



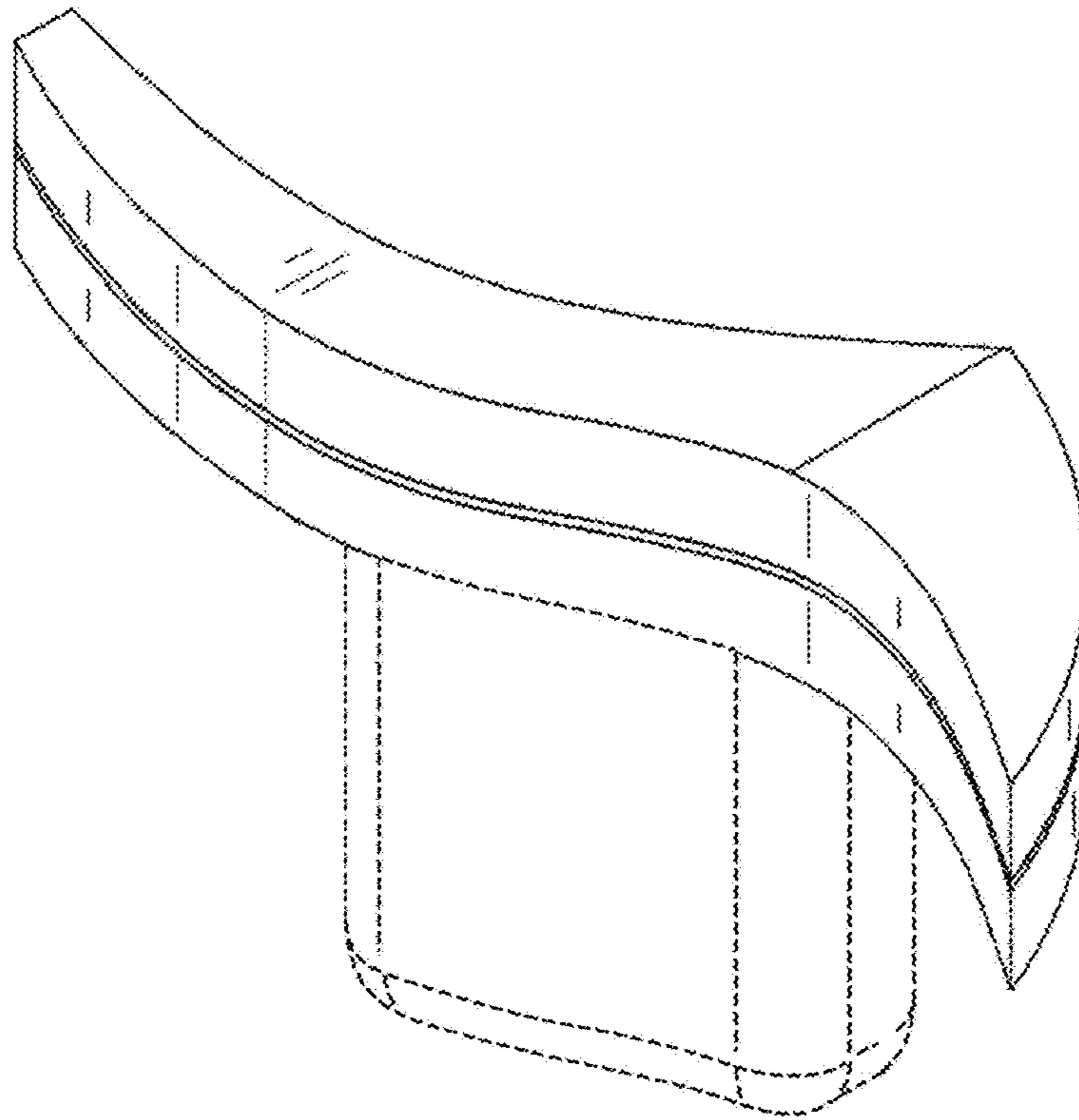


FIG. 1

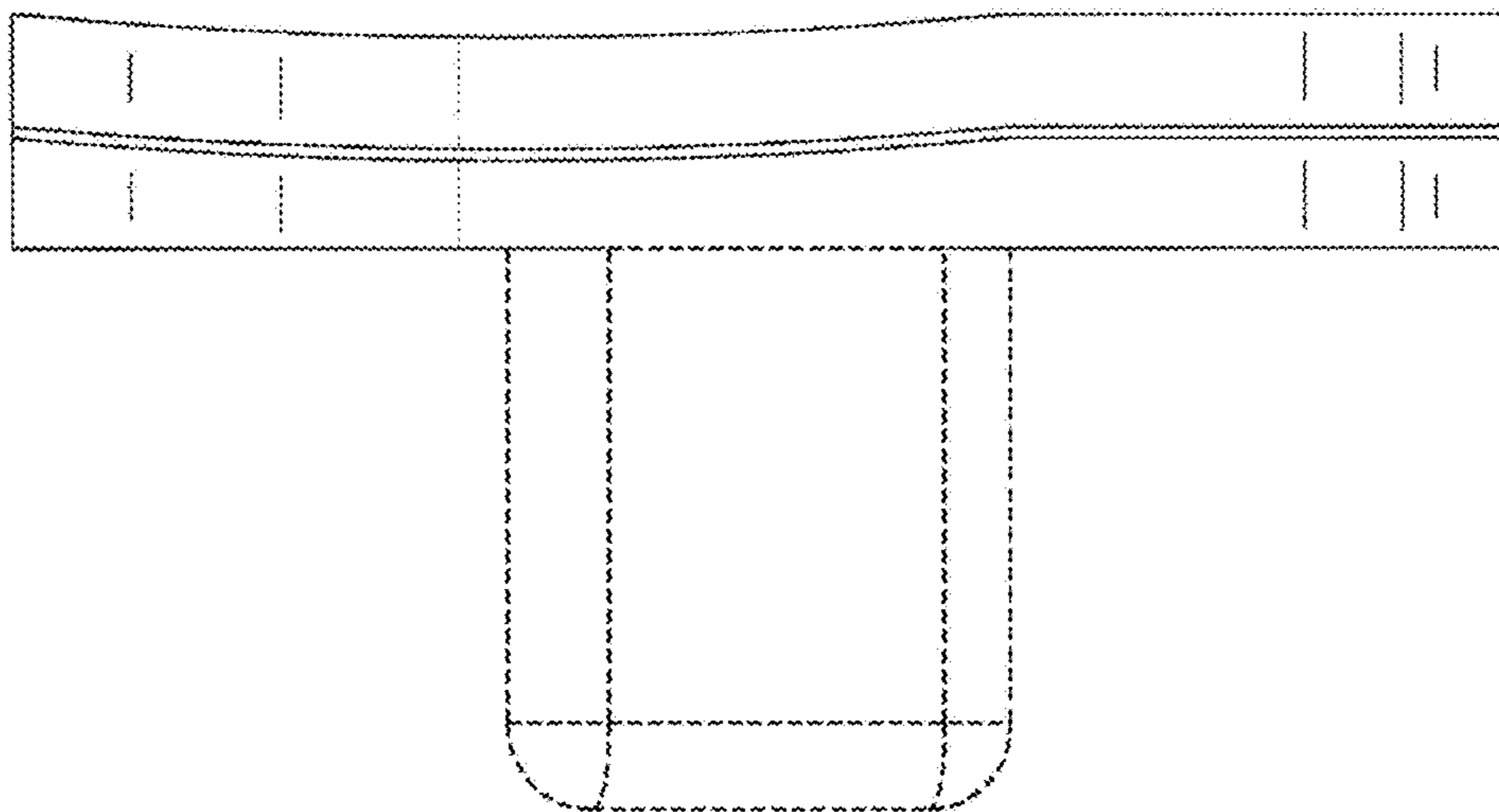


FIG. 2

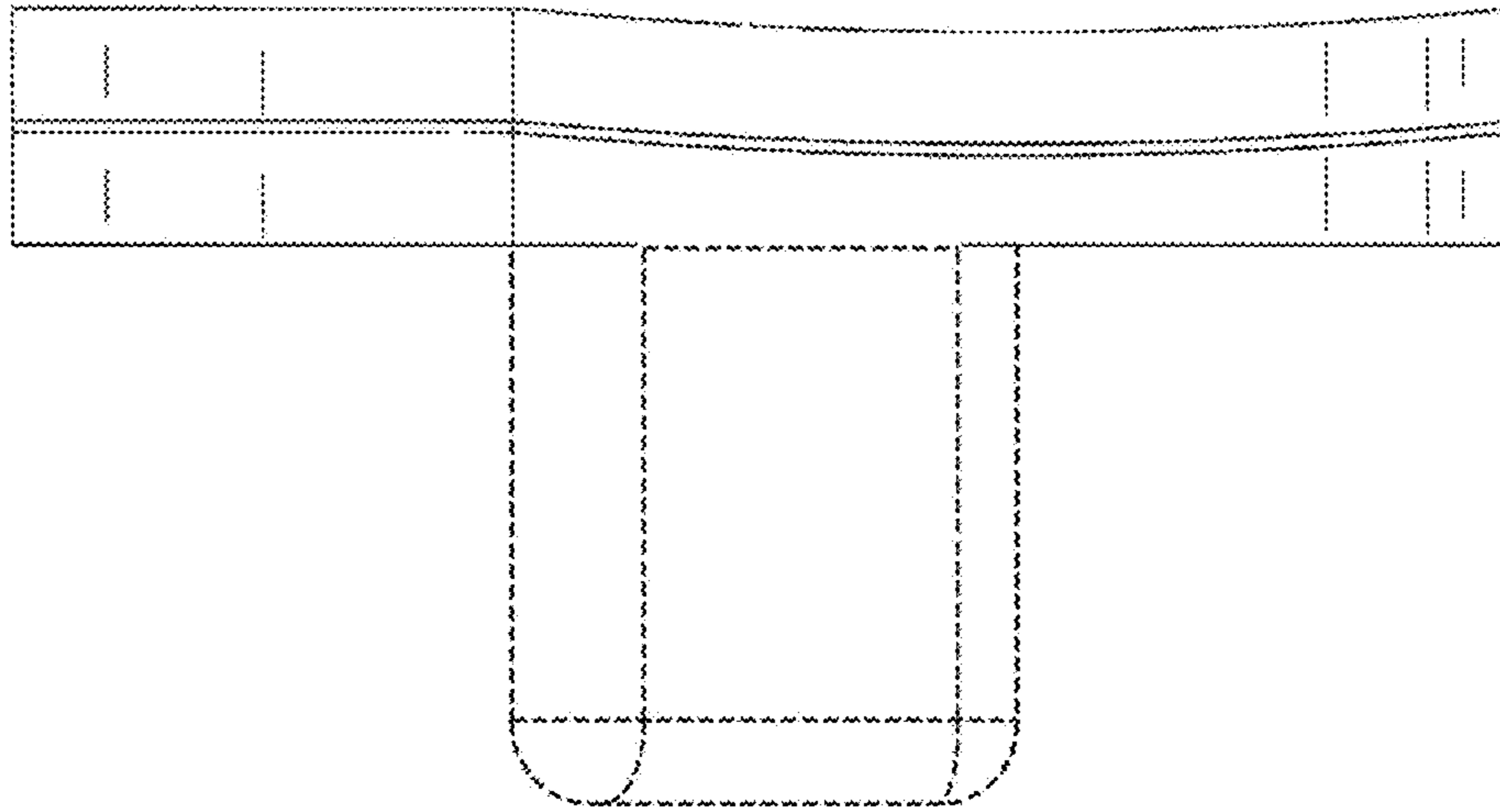


FIG.3

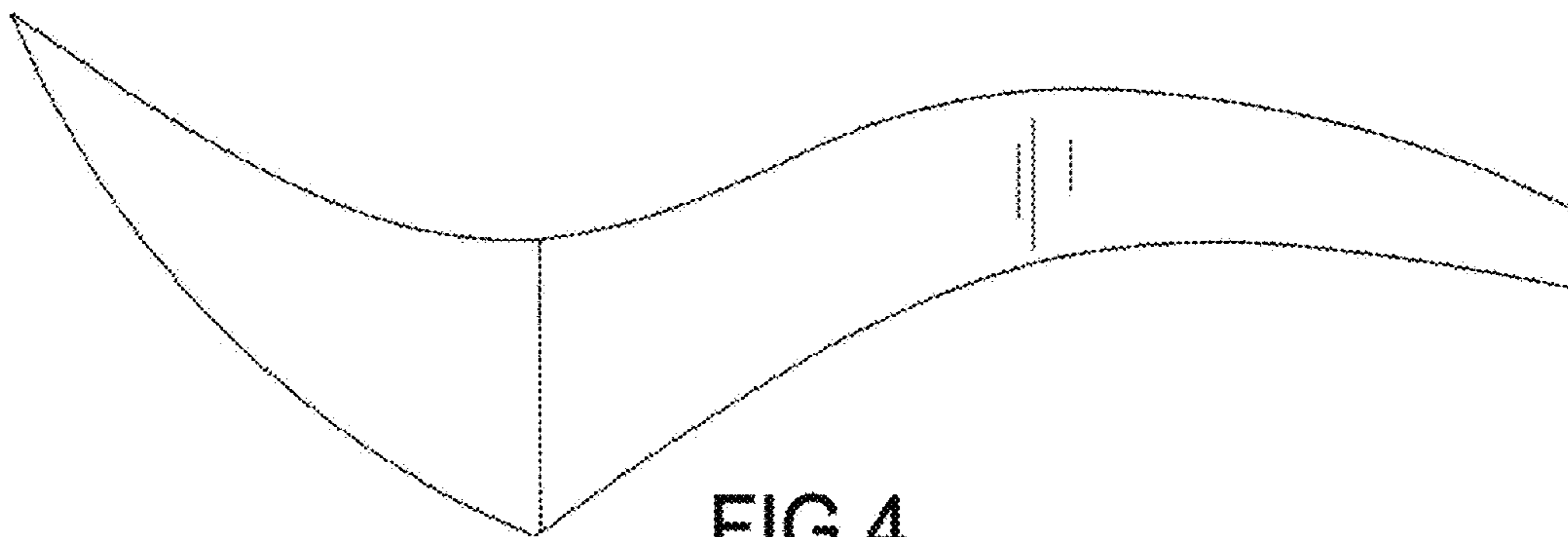


FIG.4

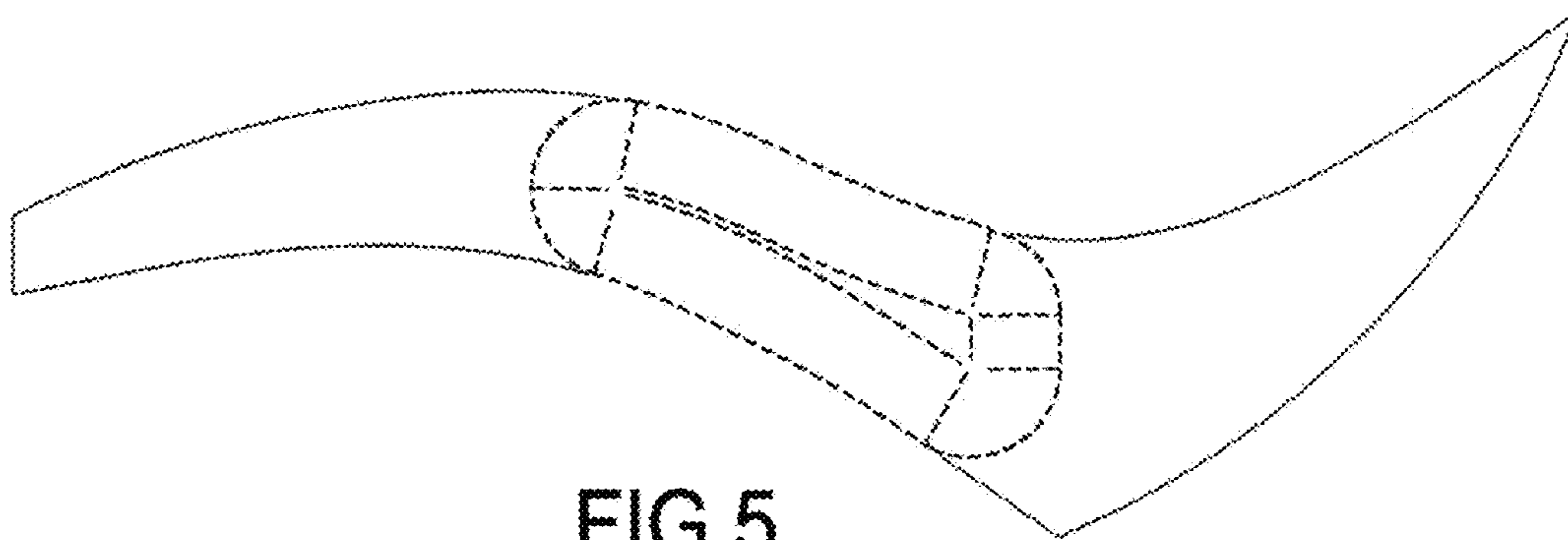


FIG.5

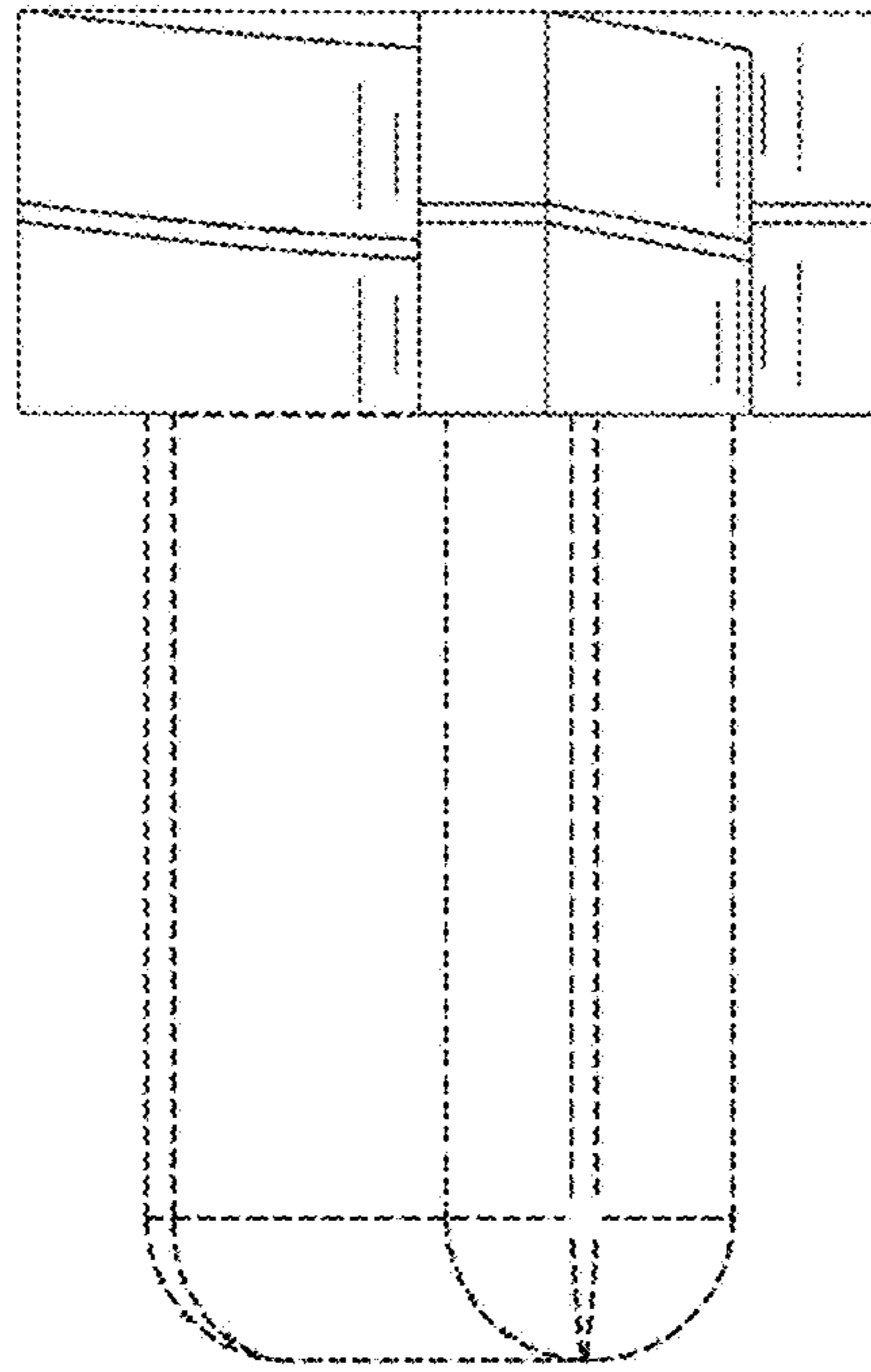


FIG. 6

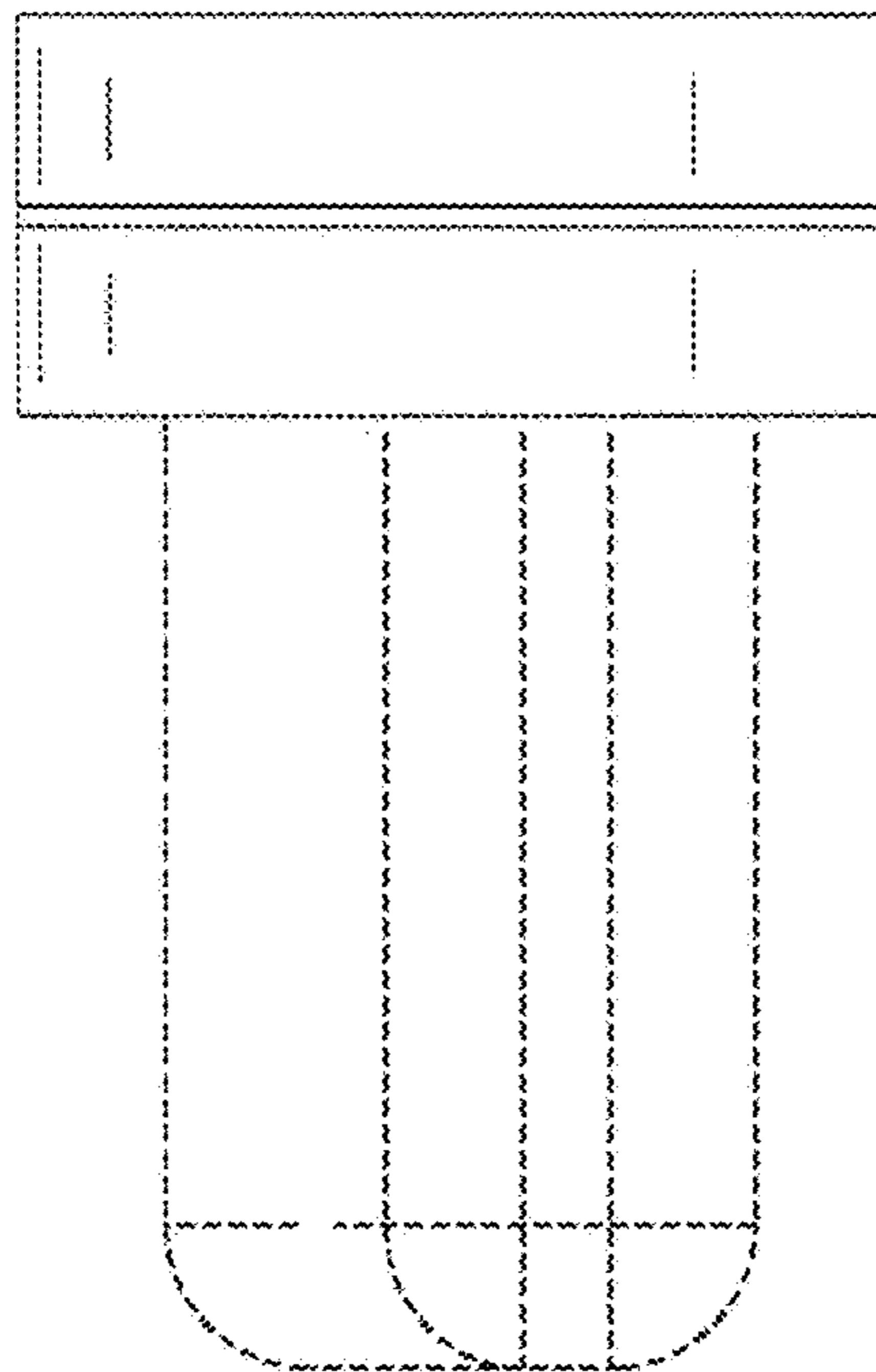


FIG. 7

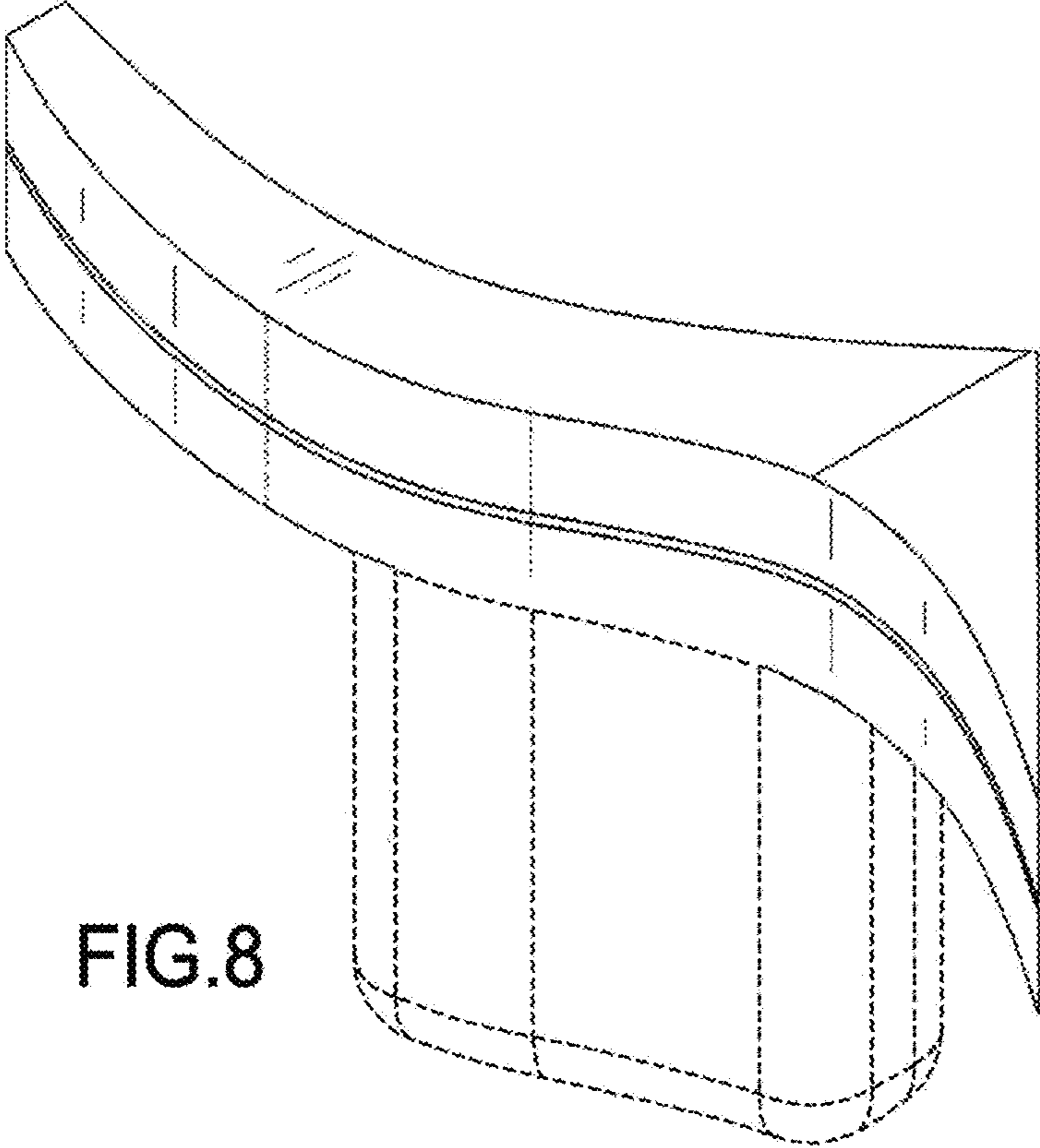


FIG. 8

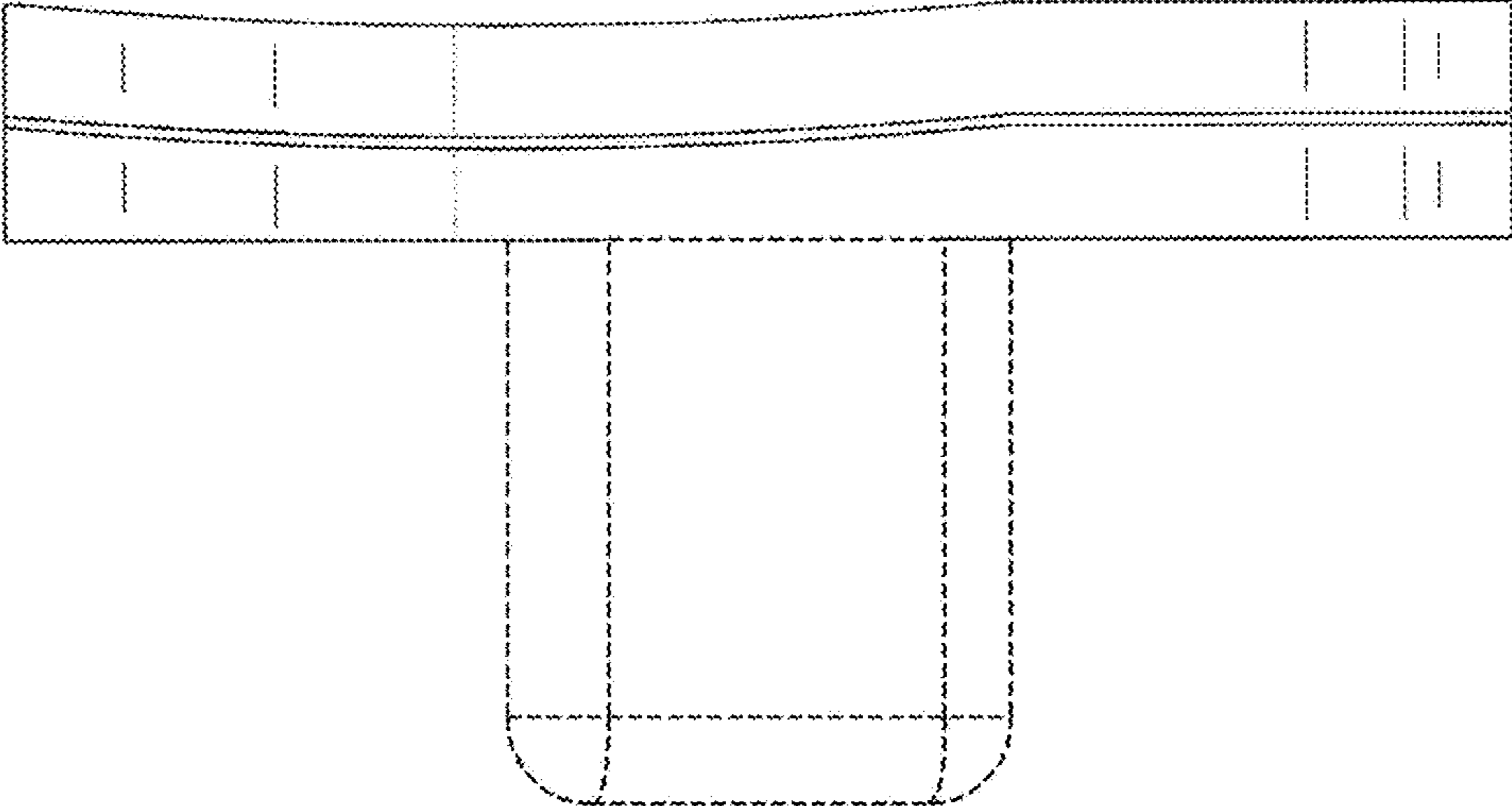
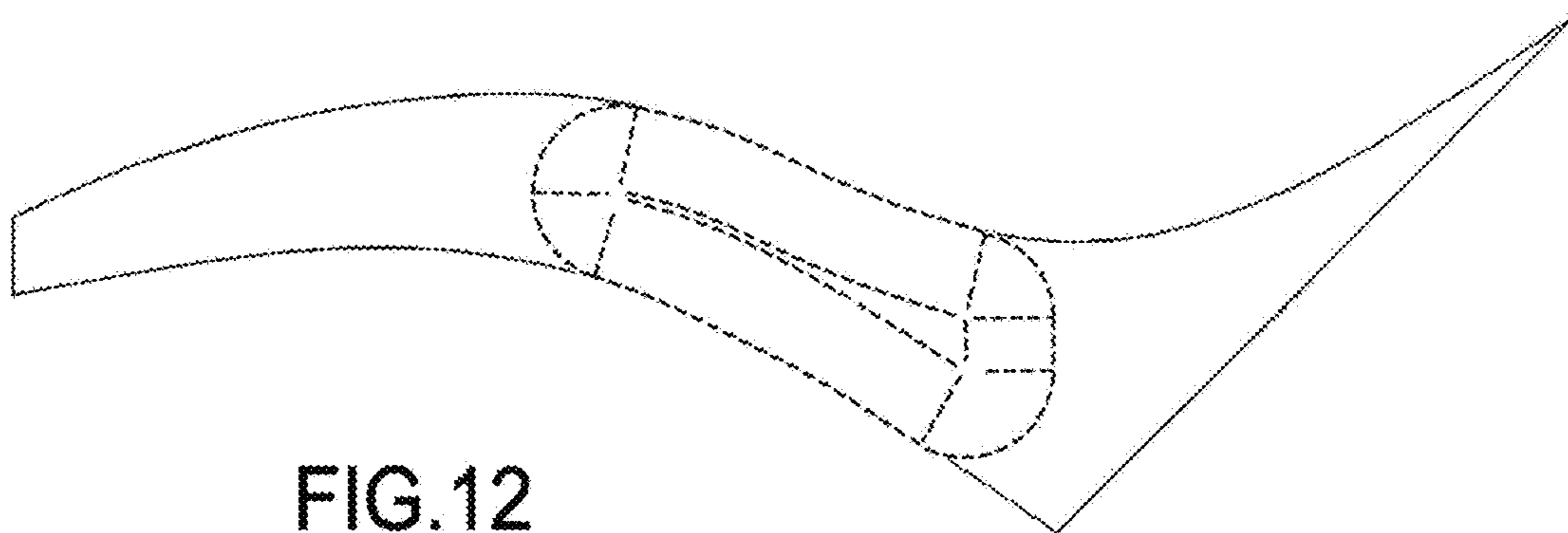
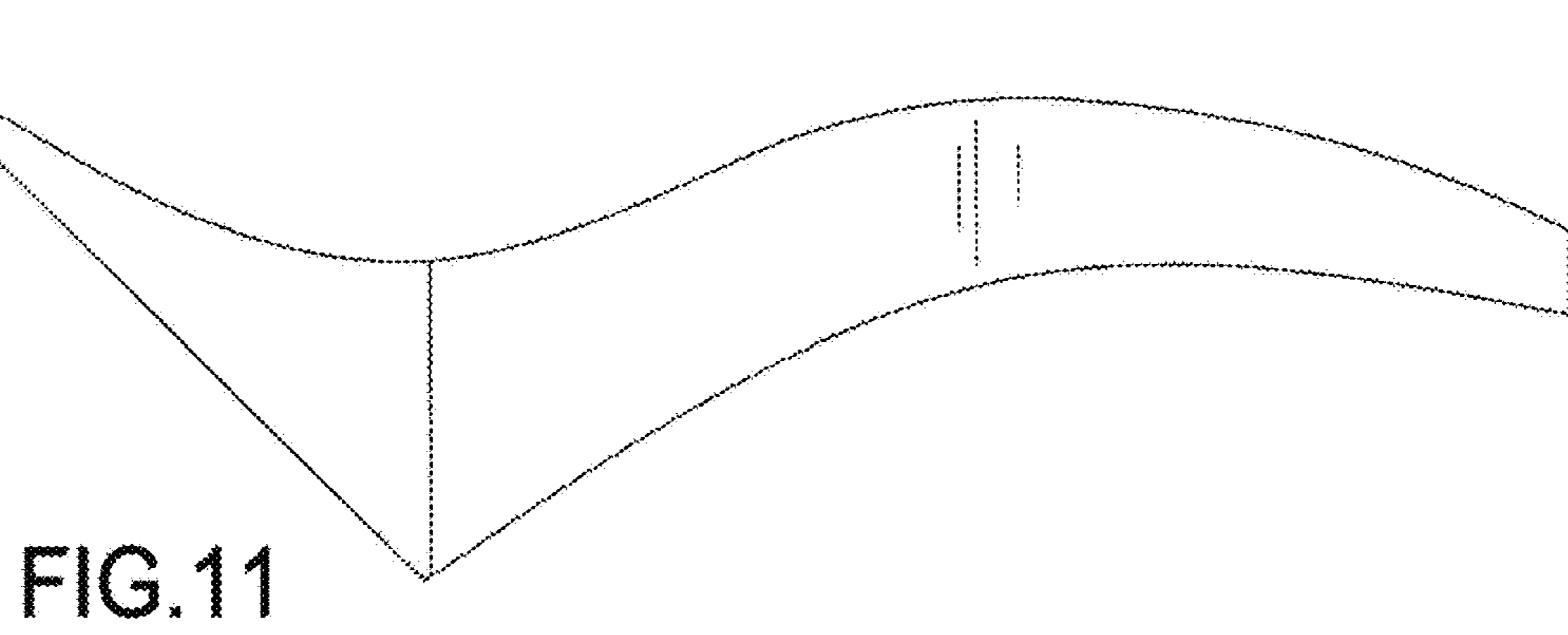
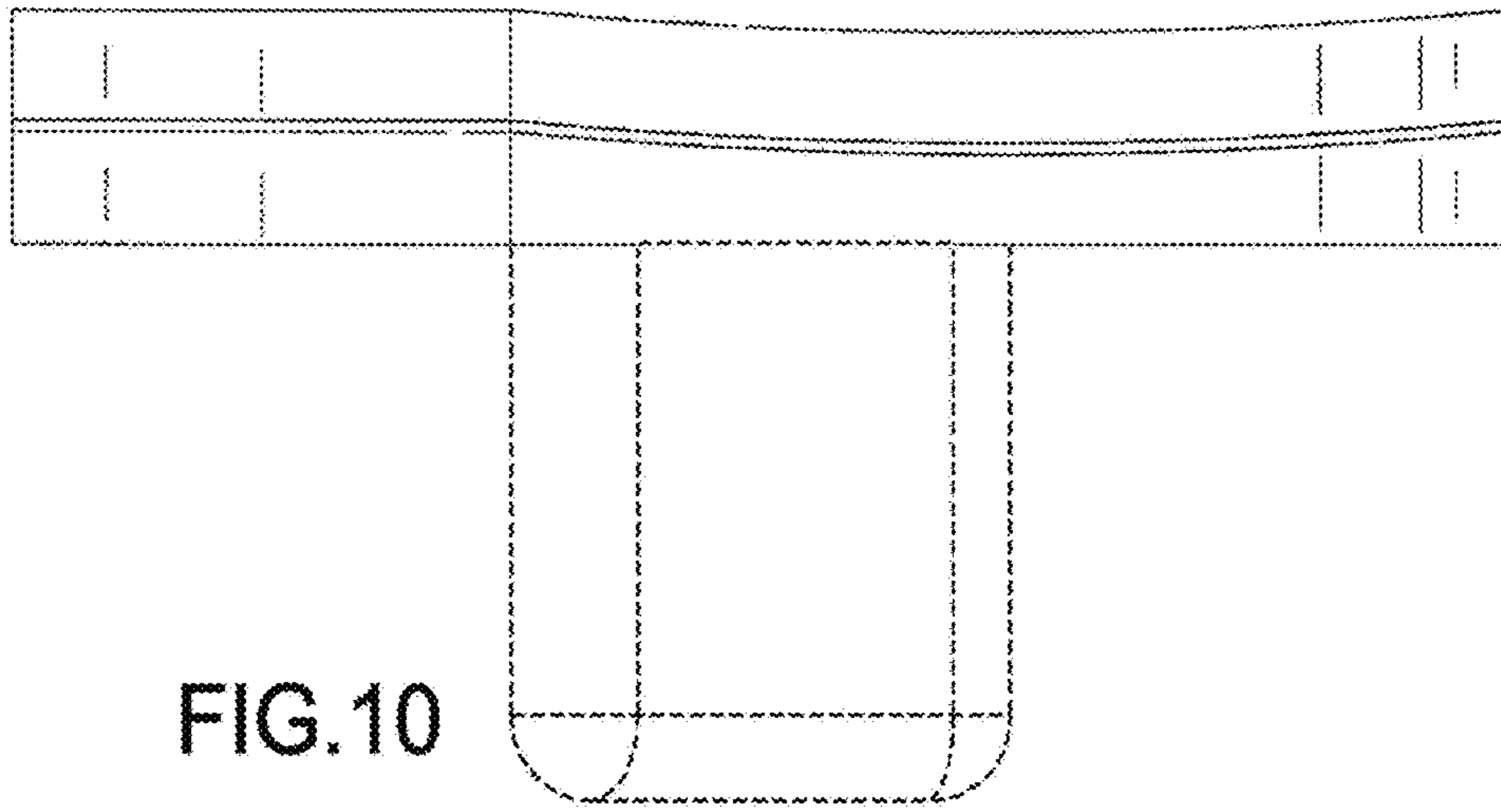


FIG. 9



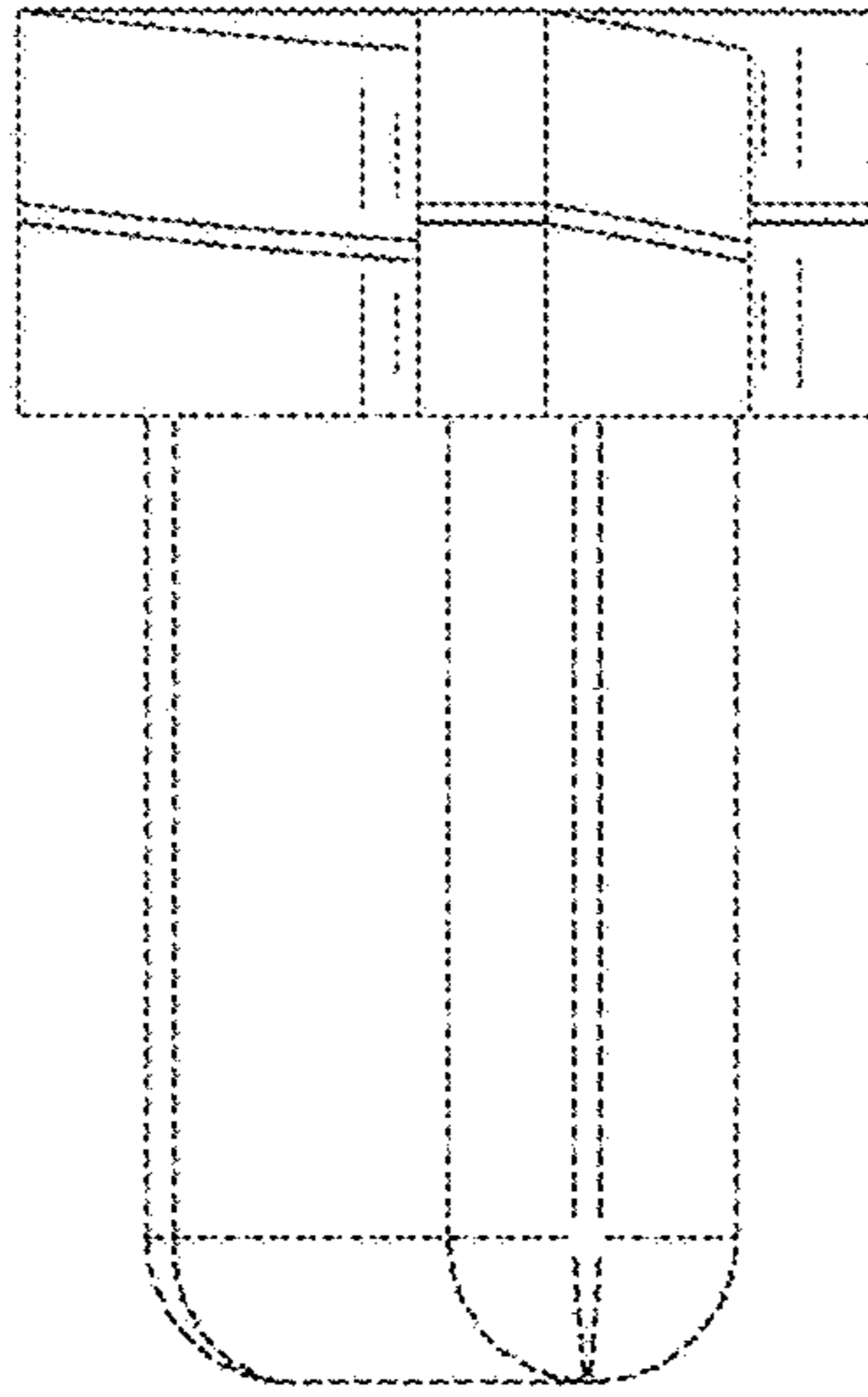


FIG. 13

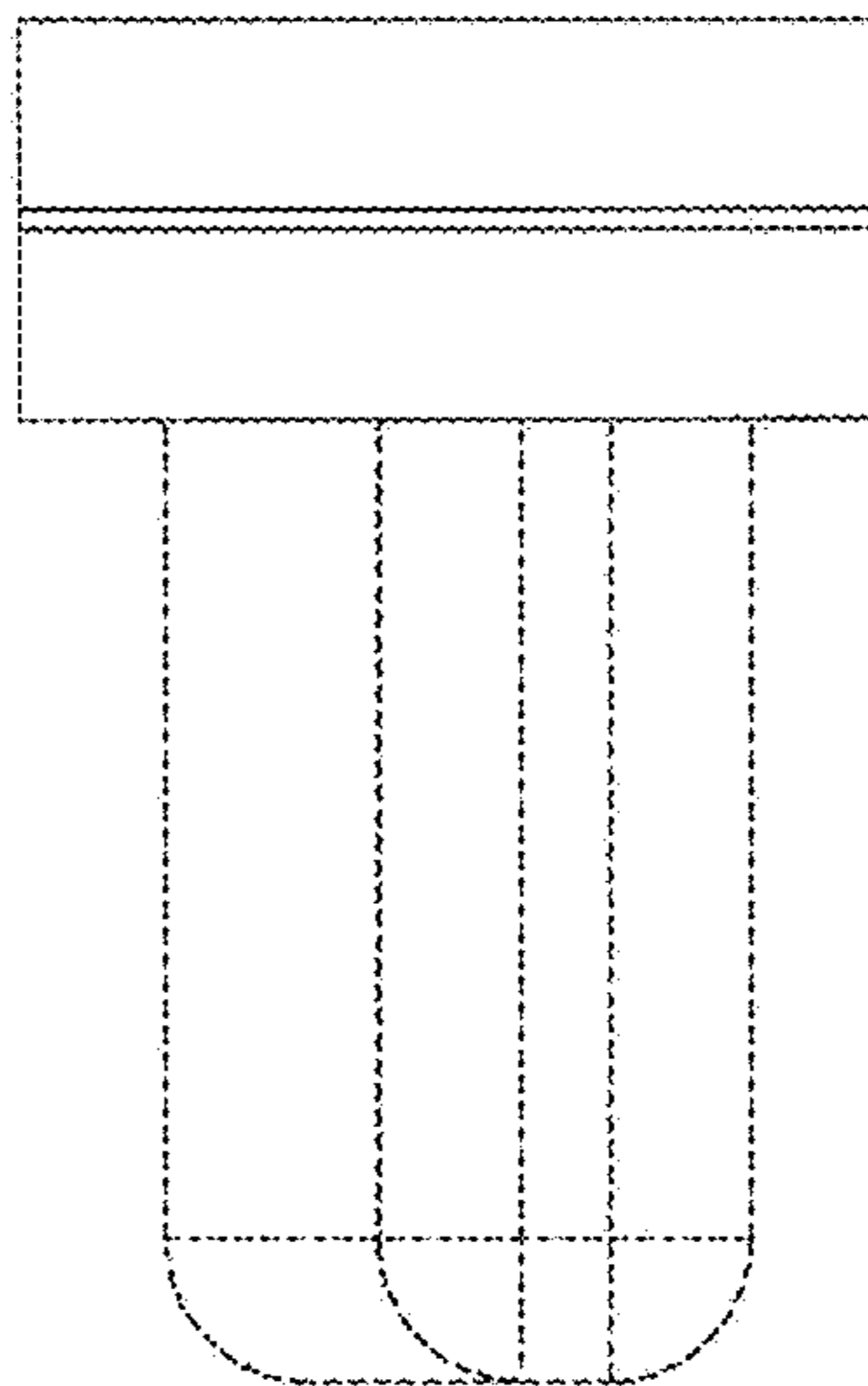


FIG. 14