



US00D806314S

(12) **United States Design Patent**
Hamida

(10) **Patent No.:** **US D806,314 S**

(45) **Date of Patent:** **** Dec. 26, 2017**

- (54) **COSMETIC APPLICATOR**
- (71) Applicant: **GEKA GmbH**, Bechhofen (DE)
- (72) Inventor: **Jasmin Hamida**, Bamberg (DE)
- (73) Assignee: **GEKA GmbH**, Bechhofen (DE)
- (**) Term: **15 Years**

D680,264 S *	4/2013	Manalo	D28/7
D693,059 S *	11/2013	Tani	D28/7
D699,041 S *	2/2014	Waitesmith	A45D 40/262
			D4/104
D735,406 S *	7/2015	Poletto	D28/7
D742,589 S *	11/2015	Rizzo	D28/7
D789,601 S *	6/2017	Nicoline	D28/7
2008/0166172 A1 *	7/2008	Eng	A45D 34/04
			401/37
2016/0073766 A1 *	3/2016	Cochran	A45D 40/26
			401/118

- (21) Appl. No.: **29/576,259**
- (22) Filed: **Sep. 1, 2016**
- (51) **LOC (10) Cl.** **28-02**
- (52) **U.S. Cl.**
USPC **D28/7**
- (58) **Field of Classification Search**
USPC D28/7, 8, 30, 31, 43, 76, 85, 99;
D4/132-135, 137; D7/361, 393, 395,
D7/685; D9/723, 724; D24/119
CPC A45D 2200/10; A45D 2200/1009; A45D
2200/1036; A45D 40/262; A61M 35/00;
A61M 35/003
See application file for complete search history.

* cited by examiner

Primary Examiner — Susan Bennett Hattan

Assistant Examiner — Rebecca Tsehaye

(57) **CLAIM**

The ornamental design for a cosmetic applicator, as shown and described.

DESCRIPTION

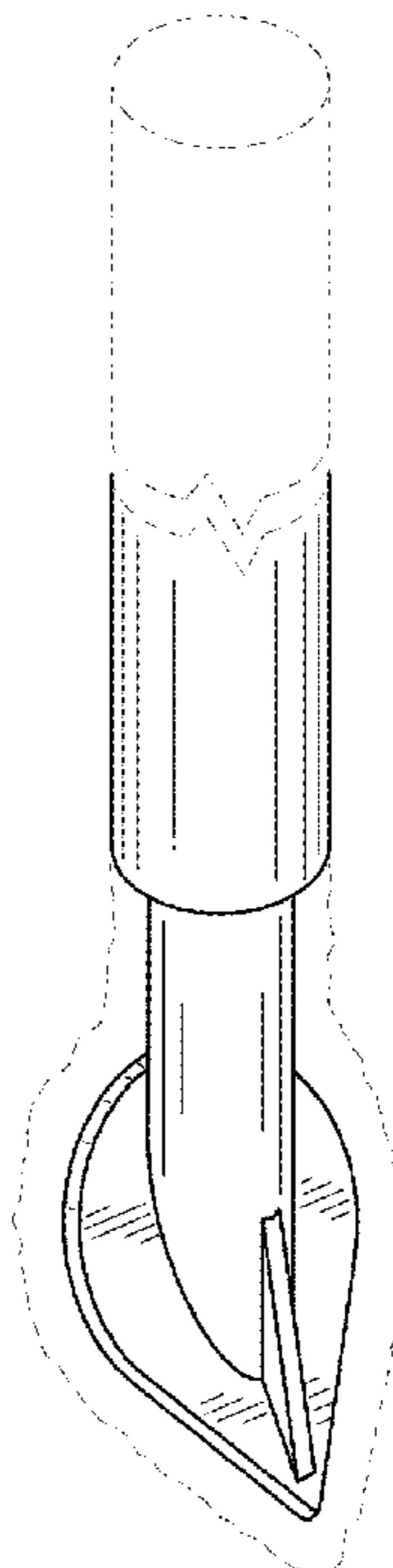
FIG. 1 is a front isometric view of the claimed design.
 FIG. 2 is a rear isometric view of the claimed design.
 FIG. 3 is a front view of the claimed design.
 FIG. 4 is a rear view of the claimed design.
 FIG. 5 is a right side view of the claimed design.
 FIG. 6 is a left side view of the claimed design.
 FIG. 7 is a top view of the claimed design; and,
 FIG. 8 is a bottom view of the claimed design.
 The broken lines shown in the drawings illustrate unclaimed portions of the cosmetic applicator that form no part of the claimed design.

1 Claim, 3 Drawing Sheets

(56) **References Cited**

U.S. PATENT DOCUMENTS

6,039,053 A *	3/2000	Turrentine	A45D 40/262
			132/317
6,761,177 B1 *	7/2004	Kedem-Shabi	A45D 34/04
			132/317
D527,143 S *	8/2006	Fischer	D28/7
D638,989 S *	5/2011	Limongi	D28/7
D640,001 S *	6/2011	Limongi	D28/7
D643,151 S *	8/2011	Limongi	D28/7



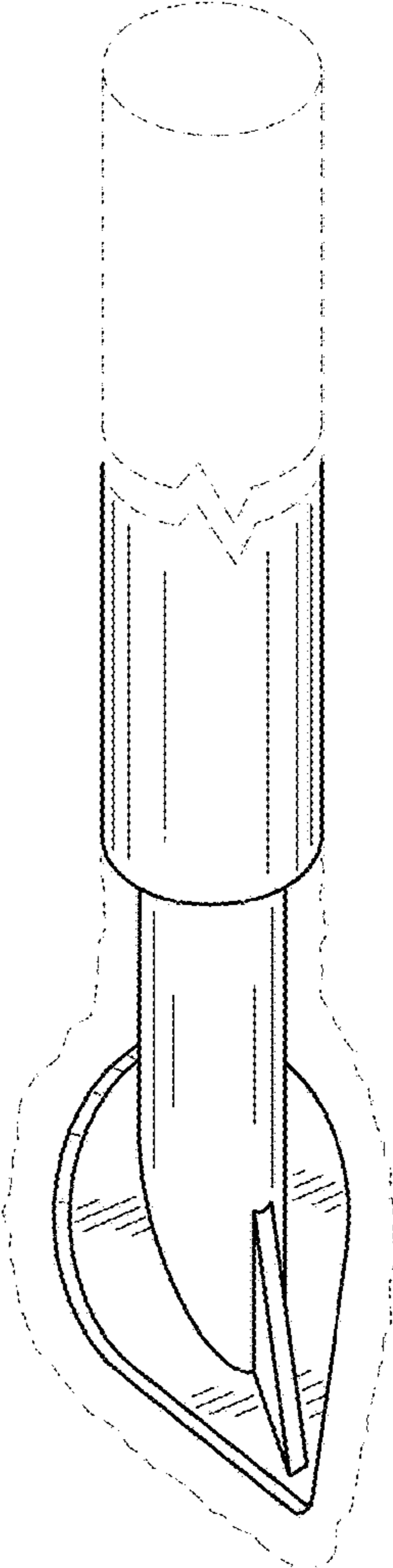


FIG. 1

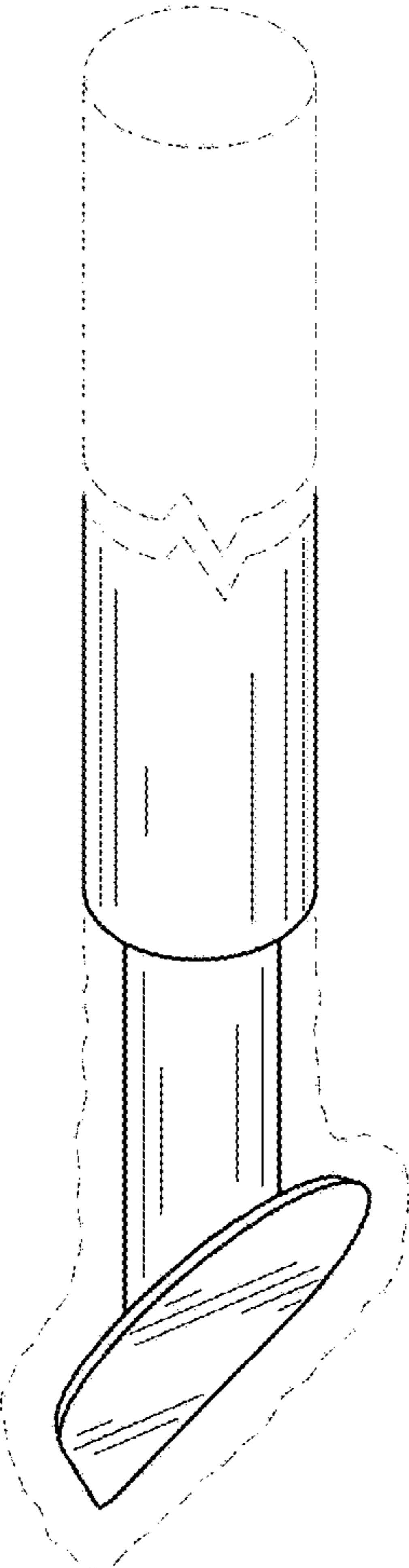


FIG. 2

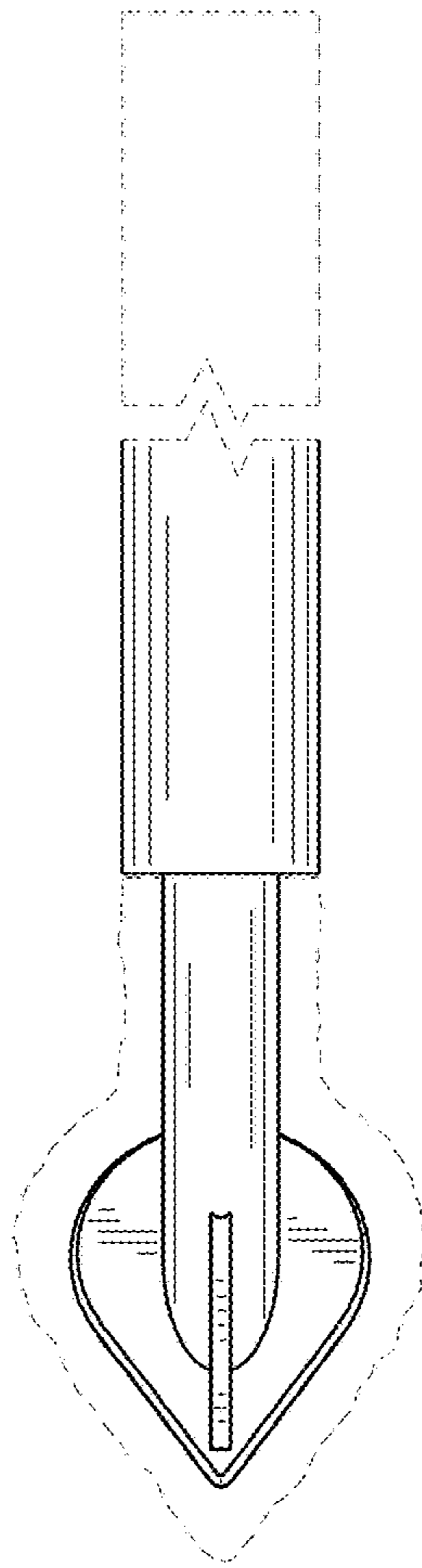


FIG. 3

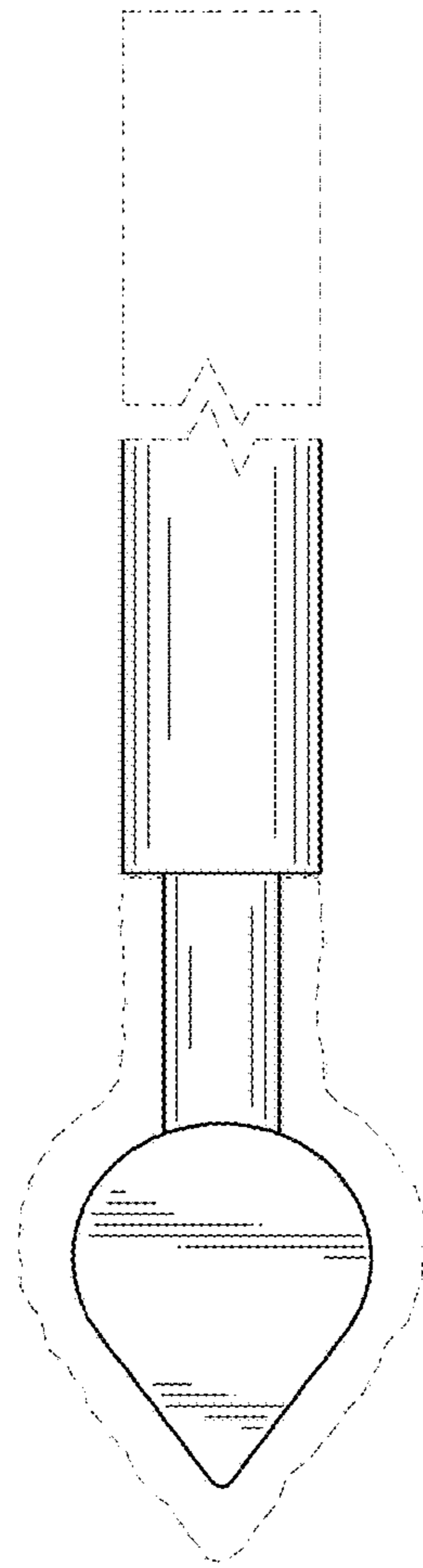


FIG. 4

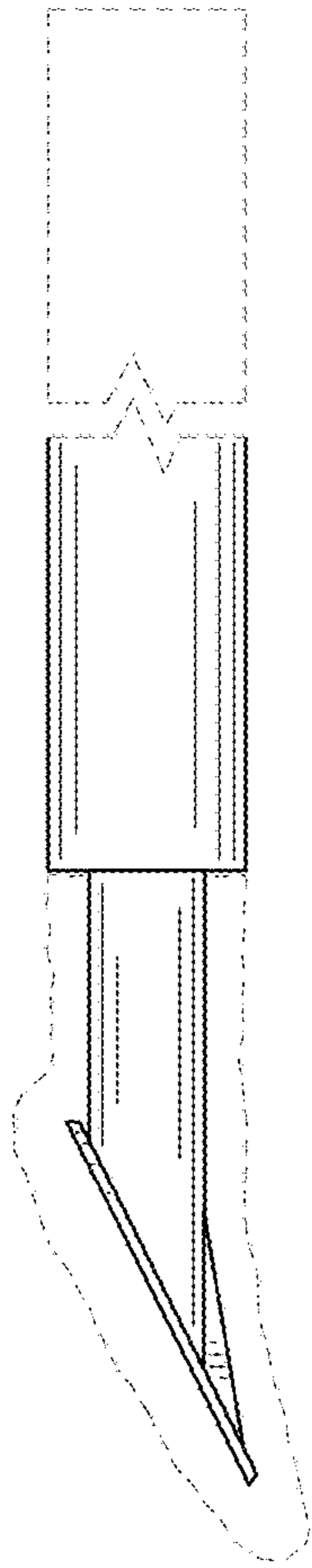


FIG. 5

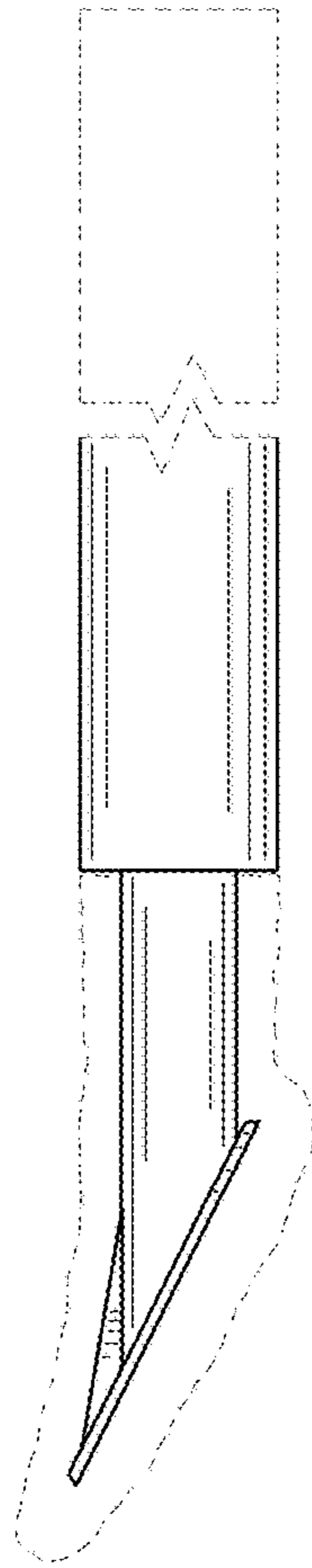


FIG. 6

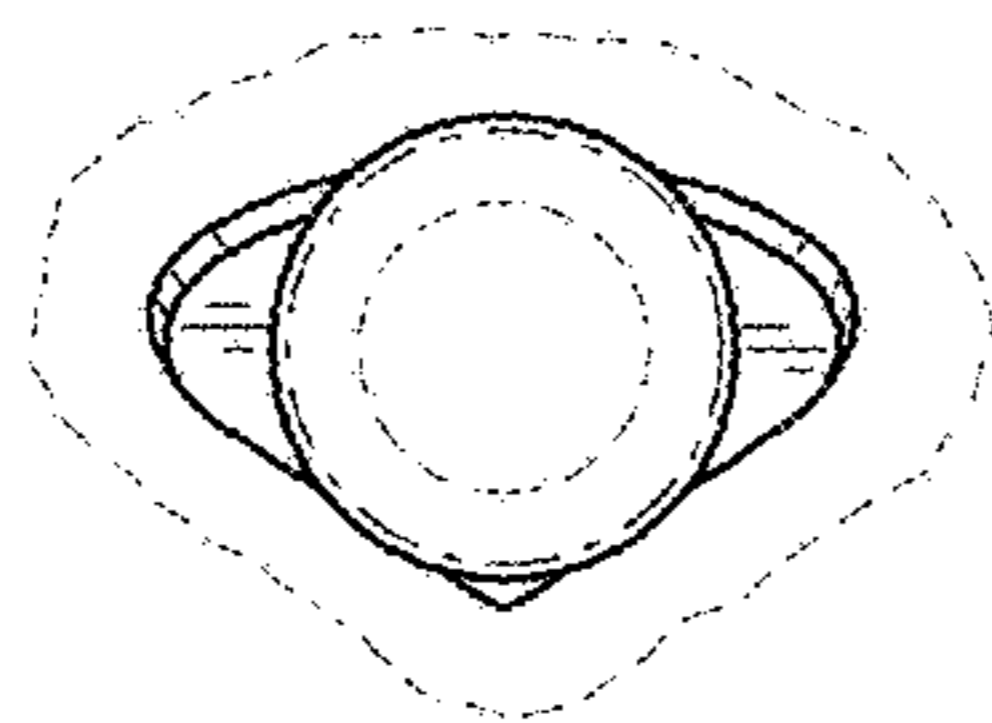


FIG. 7

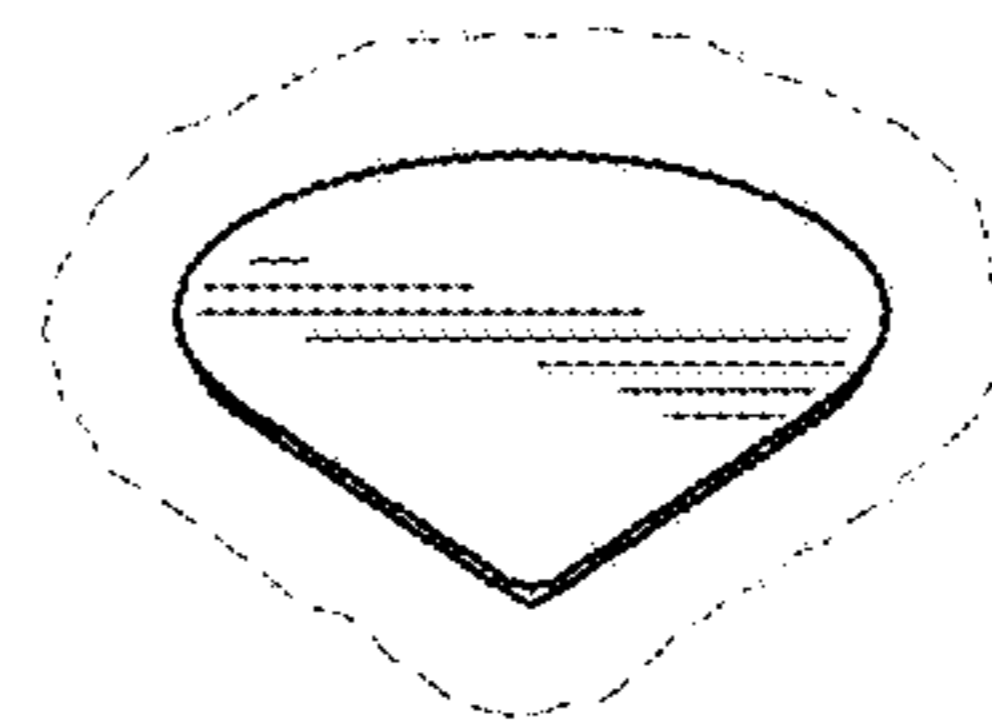


FIG. 8