



US00D806313S

(12) **United States Design Patent**
Penna et al.

(10) **Patent No.:** **US D806,313 S**

(45) **Date of Patent:** **** Dec. 26, 2017**

(54) **SMOKER'S COMBINATION TOOL**

(71) Applicant: **Ronald Joseph Penna**, Jacksonville Beach, FL (US)

(72) Inventors: **Ronald Joseph Penna**, Jacksonville Beach, FL (US); **George Albert Sarkees, III**, Jacksonville, FL (US)

(73) Assignee: **Ronald Joseph Penna**, Jacksonville Beach, FL (US)

(**) Term: **15 Years**

(21) Appl. No.: **29/537,635**

(22) Filed: **Aug. 27, 2015**

(51) **LOC (10) Cl.** **27-99**

(52) **U.S. Cl.**
USPC **D27/194**

(58) **Field of Classification Search**
USPC D27/100, 101, 162, 163-169, 172, 175, D27/186, 189, 193, 194, 195, 136, 137, D27/138; D8/98, 105, 57, 99, 100; D7/649; D16/65
CPC A24F 13/24; A24F 5/00; A24F 7/02; A24F 3/00; A24F 47/002; A24F 15/12; A24F 15/18; A24F 47/008

See application file for complete search history.

(56) **References Cited**

U.S. PATENT DOCUMENTS

D175,853 S * 10/1955 Polk D8/99
4,854,045 A * 8/1989 Schaub B26B 11/001
30/155
D318,070 S * 7/1991 Amagaya D19/100
D350,271 S * 9/1994 Landy D26/38
D364,327 S * 11/1995 Graham D8/105
D407,620 S * 4/1999 Cachot D8/105
D410,189 S * 5/1999 Wehrs D8/105
D433,915 S * 11/2000 Elsener, Sr. D8/105

D448,267 S * 9/2001 Jean D8/105
D469,677 S * 2/2003 Hung D10/15
D494,438 S * 8/2004 Falkenstein D10/2
6,948,409 B2 * 9/2005 Ackeret B26B 11/008
7/118

(Continued)

OTHER PUBLICATIONS

Jamaican army knife by Jamaican Army Kompany. dated 2017. found online [May 24, 2017] <http://jamaicanarmy.com/>*

(Continued)

Primary Examiner — Robert M. Spear

Assistant Examiner — Marissa J Cash

(74) *Attorney, Agent, or Firm* — Smith Gambrell & Russell LLP

(57) **CLAIM**

The ornamental design for a smoker's combination tool, as shown and described.

DESCRIPTION

FIG. 1 is a front perspective view of the smoker's combination tool.

FIG. 2 is a back perspective view of the smoker's combination tool.

FIG. 3 is a top plan view of the smoker's combination tool.

FIG. 4 is a front elevation view of the smoker's combination tool.

FIG. 5 is a bottom plan view of the smoker's combination tool.

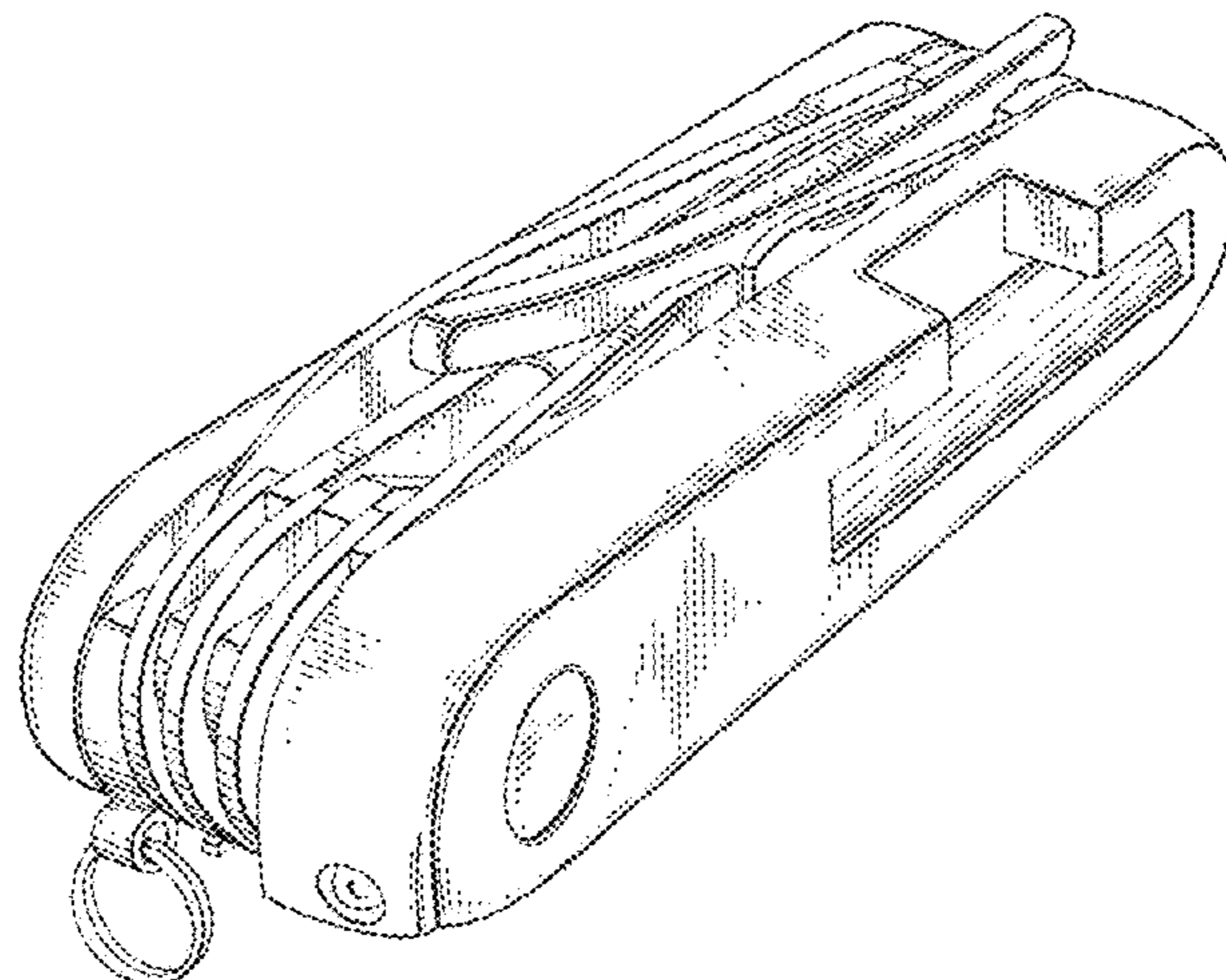
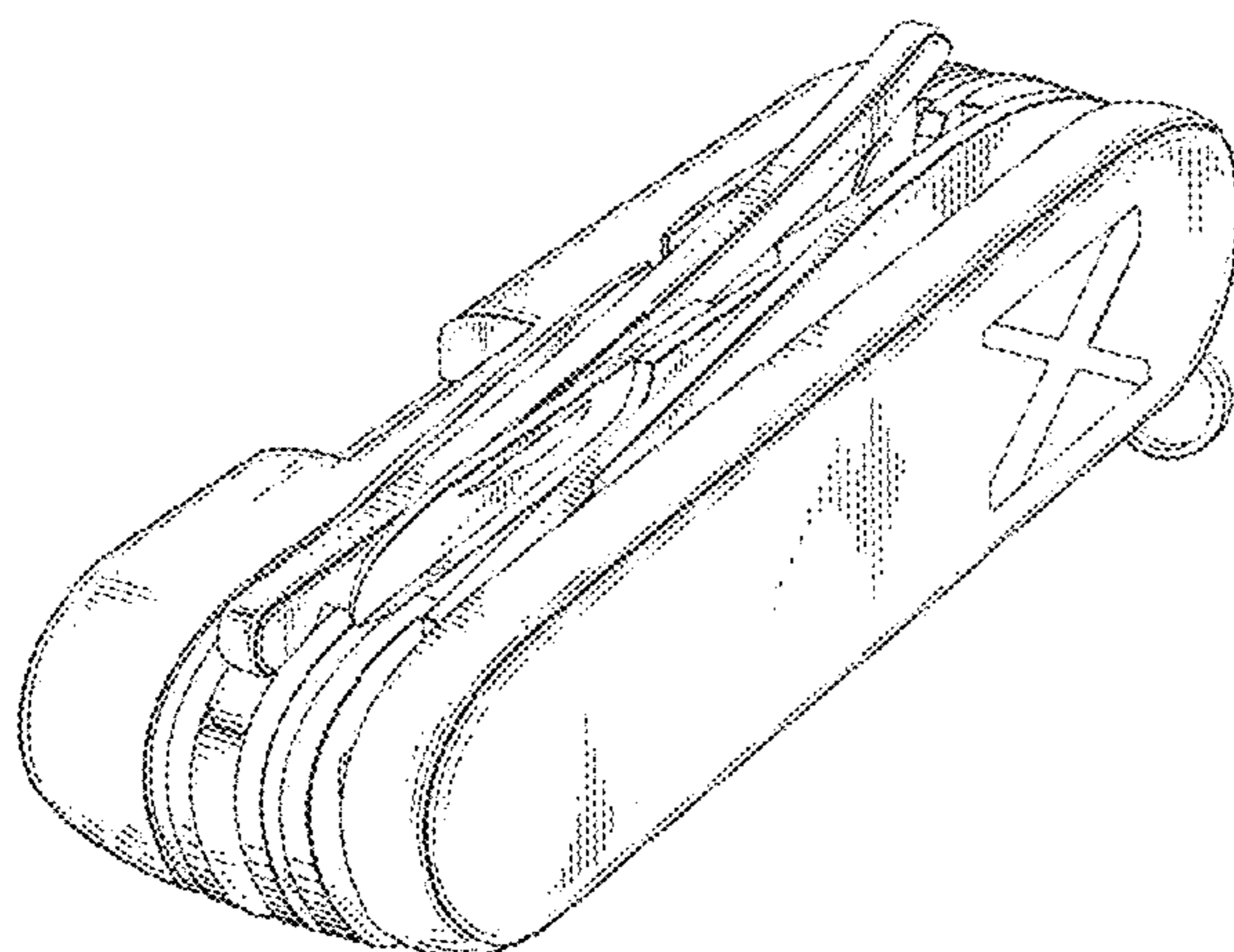
FIG. 6 is a back elevation view of the smoker's combination tool.

FIG. 7 is a right end view of the smoker's combination tool; and,

FIG. 8 is a left end view of the smoker's combination tool.

The rectangle shown in dash lines in FIG. 5 forms no part of the claimed design.

1 Claim, 5 Drawing Sheets



(56)

References Cited

U.S. PATENT DOCUMENTS

D553,205 S * 10/2007 Law D21/532
D610,893 S * 3/2010 Mudrick D8/105
D648,203 S * 11/2011 Avery D8/105
D661,015 S * 5/2012 Logue D27/172
D708,036 S * 7/2014 Johnson D8/105
D716,633 S * 11/2014 Weddington D27/163
D757,358 S * 5/2016 Ruscio D27/194
D763,652 S * 8/2016 Mihailides D22/118
D776,338 S * 1/2017 Lomeli D27/163
2005/0081302 A1 * 4/2005 Elsener B25F 1/04
7/118
2009/0293284 A1 * 12/2009 Avery B26B 11/001
30/152
2016/0366932 A1 * 12/2016 Weddington A24F 3/00

OTHER PUBLICATIONS

JAK knife by Leafly. titled Jamaican Blade by Jamaican Army Kopany—product spotlight on YouTube. shown with rear detail at 0:49. dated Dec. 29, 2016. found online [May 27, 2017] <https://www.youtube.com/watch?v=y3ZSHiLFfcY>.*

* cited by examiner

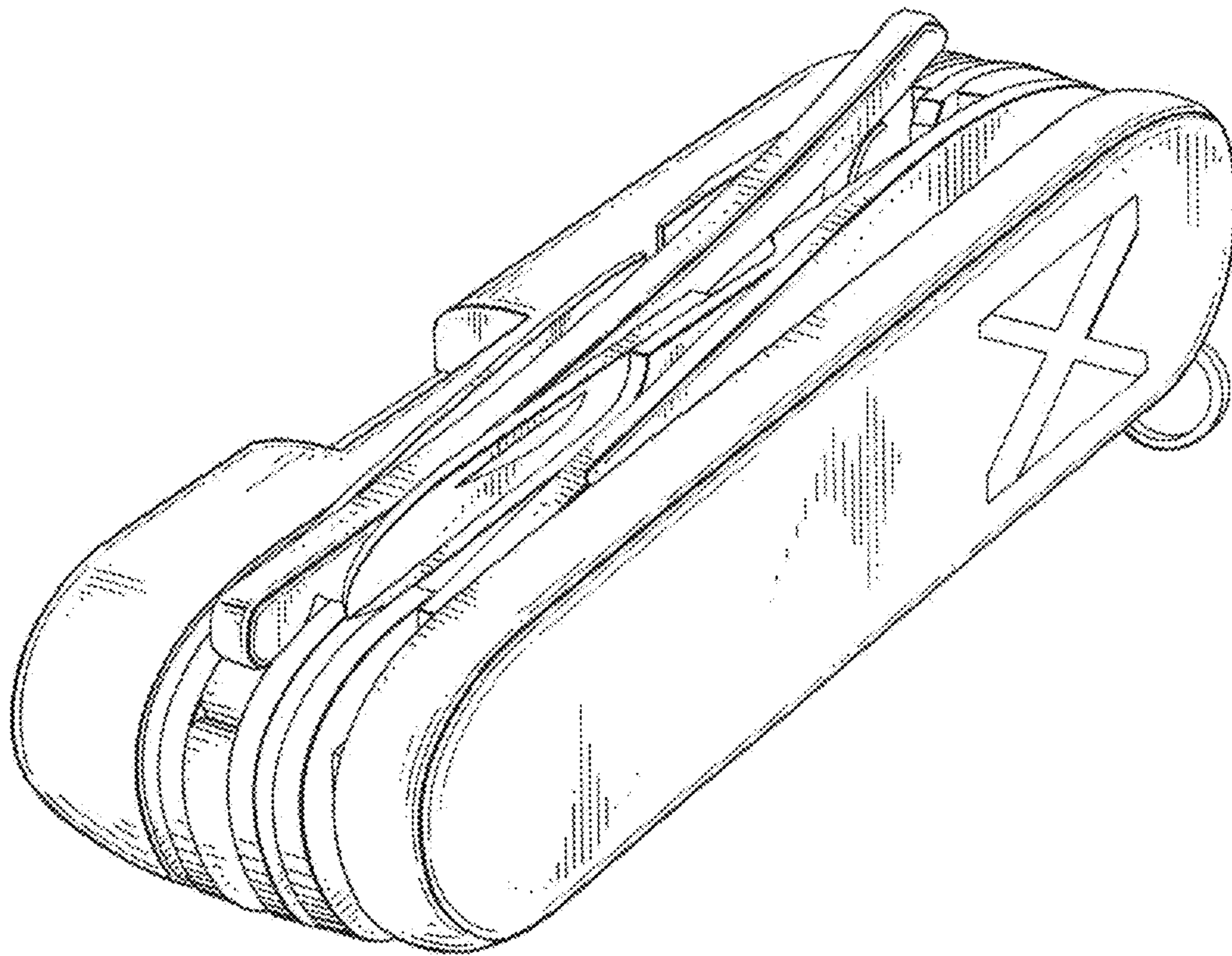


Fig. 1

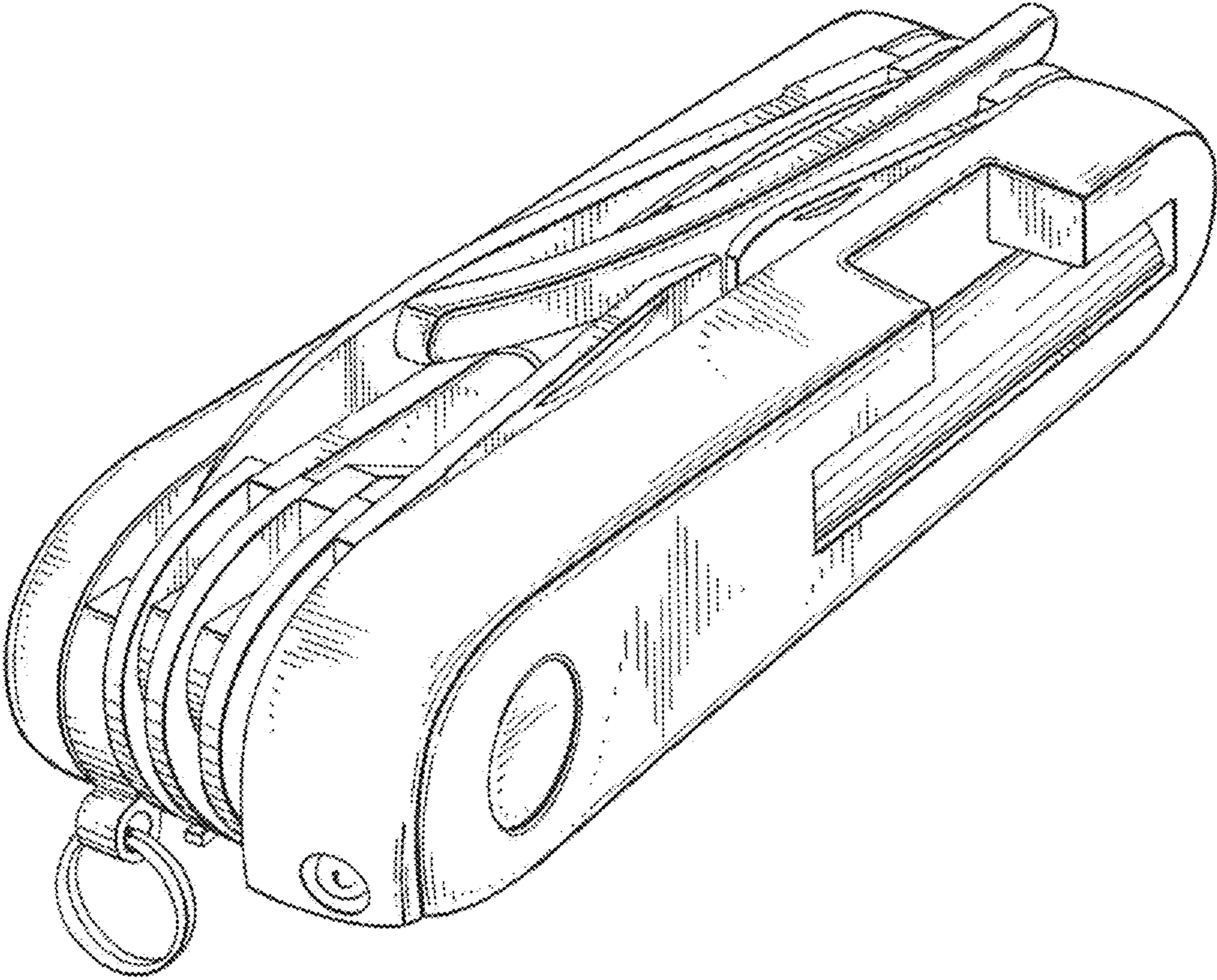


Fig. 2

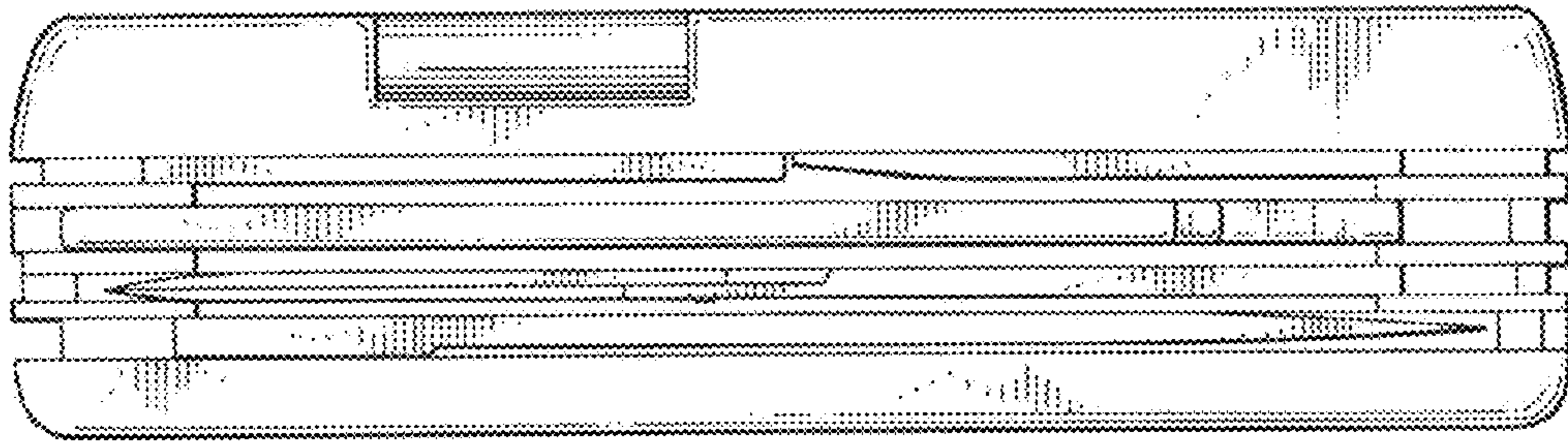


Fig. 3

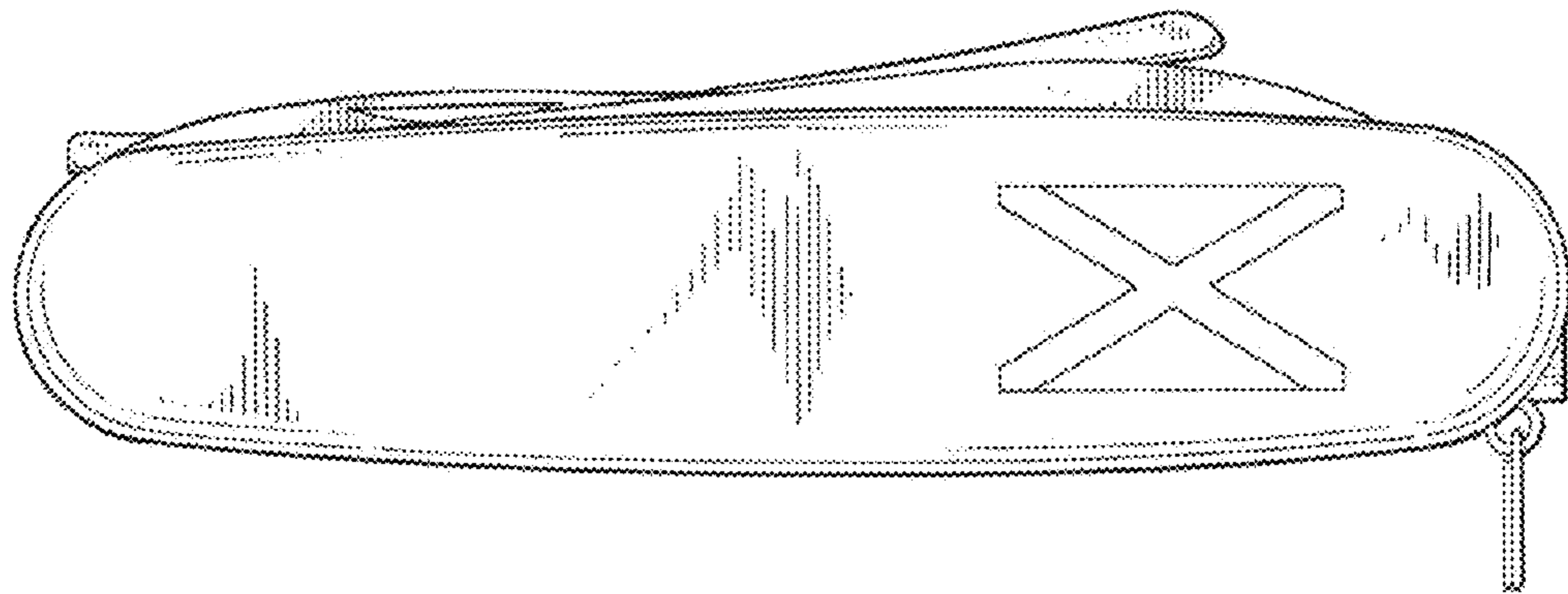


Fig. 4

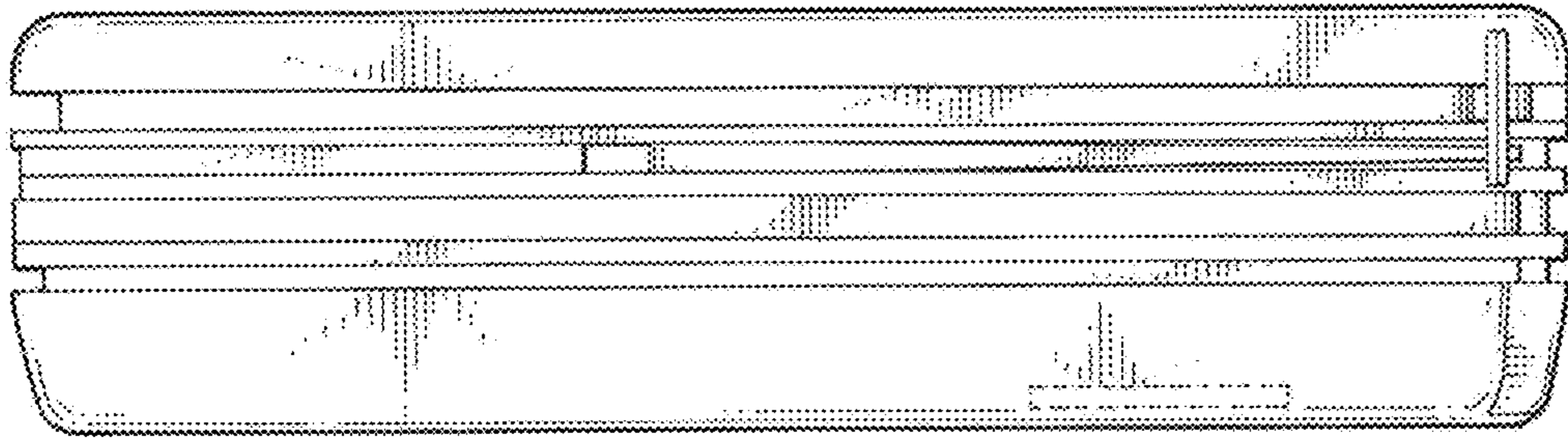


Fig. 5

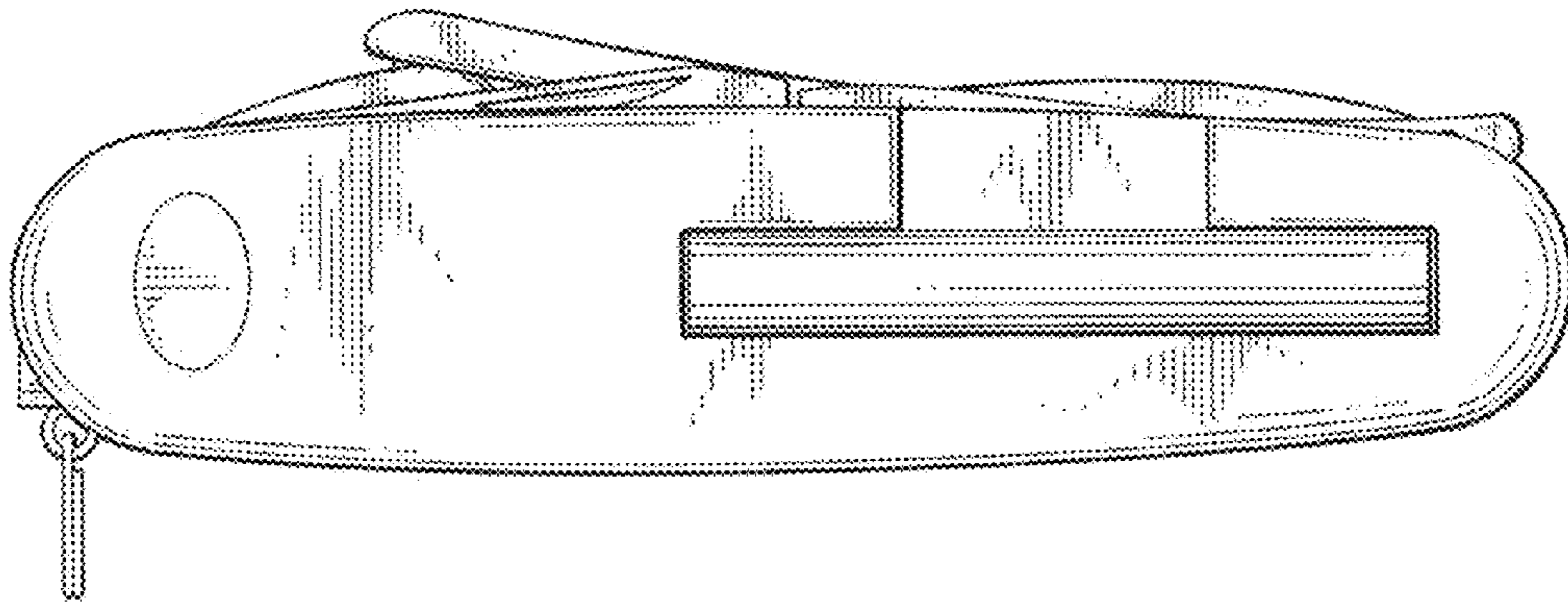


Fig. 6

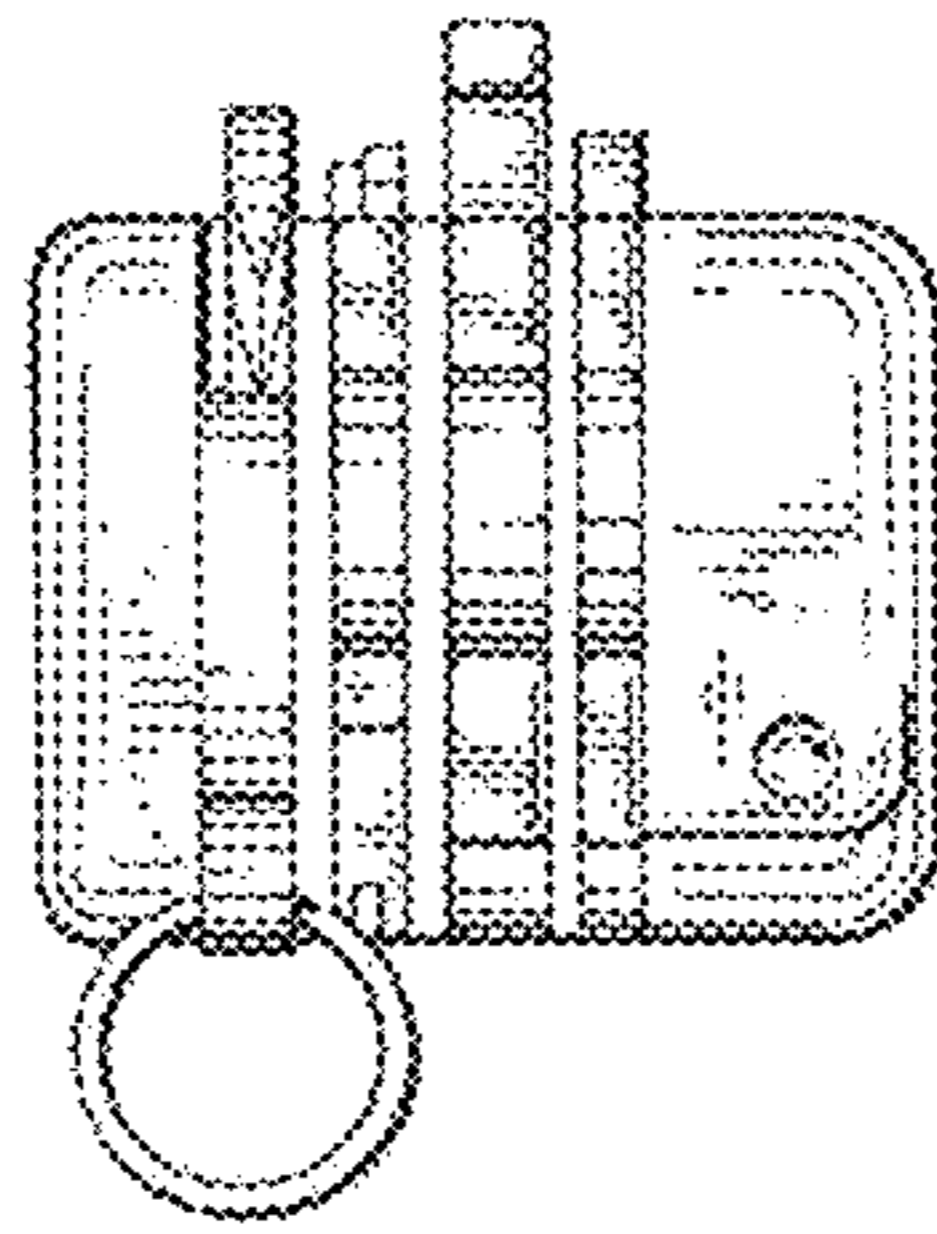


Fig. 7

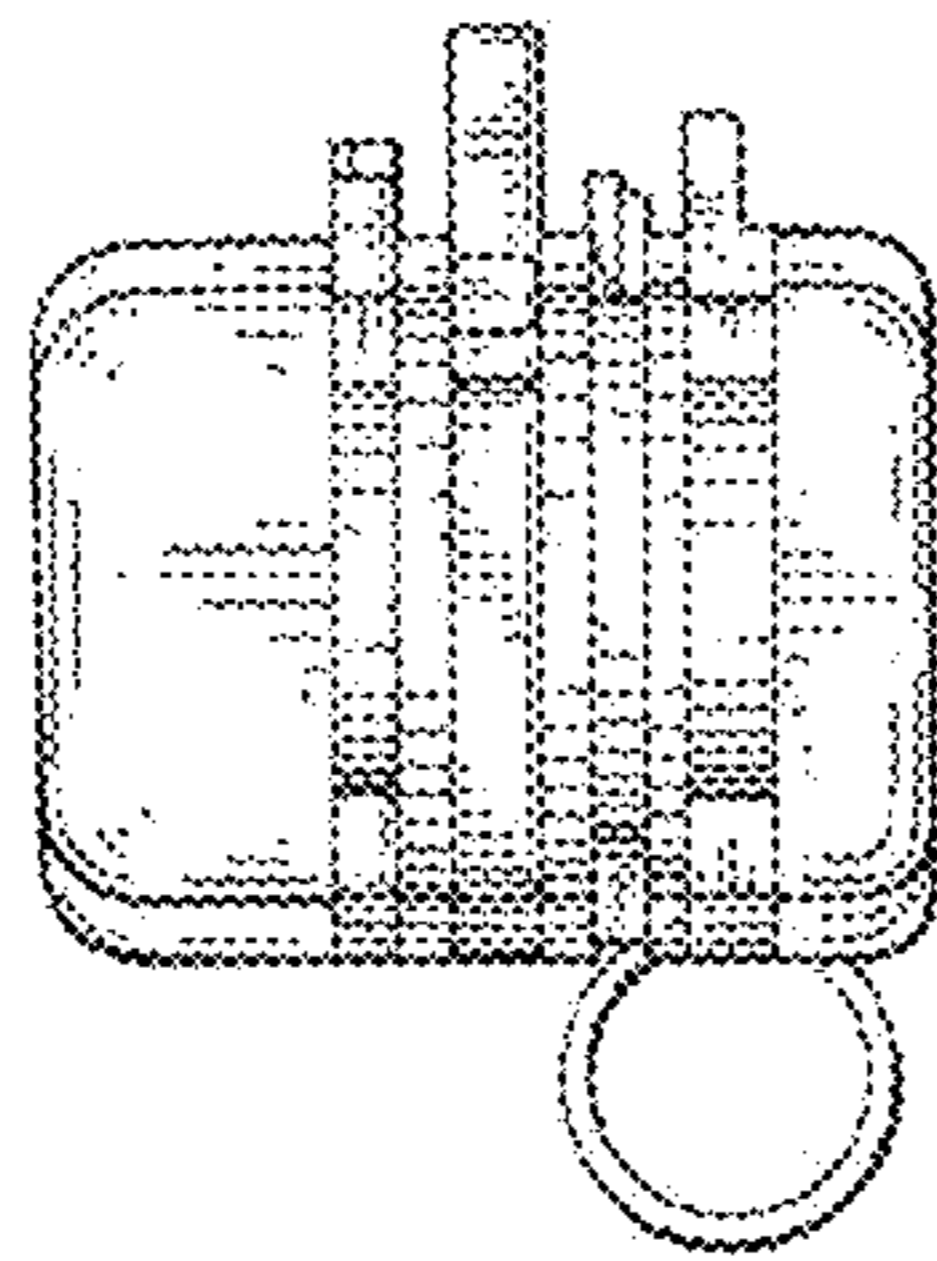


Fig. 8