



US00D806312S

(12) **United States Design Patent** (10) **Patent No.:** **US D806,312 S**
Leon (45) **Date of Patent:** **** Dec. 26, 2017**

(54) **CIGAR TRAINING KIT**

(71) Applicant: **La Aurora, S.A.**, Santiago (DO)

(72) Inventor: **Guillermo Leon**, Santiago (DO)

(73) Assignee: **LA AURORA S.A.** (DO)

(**) Term: **15 Years**

(21) Appl. No.: **29/543,836**

(22) Filed: **Oct. 28, 2015**

(51) **LOC (10) Cl.** **27-06**

(52) **U.S. Cl.**

USPC **D27/183**

(58) **Field of Classification Search**

USPC D27/100, 101, 102, 162, 163, 164, 165,
D27/166, 167, 168, 169, 170, 171, 172,
D27/175, 180, 183, 184, 186, 187, 188,
D27/189, 193, 194; D3/273, 274, 294

CPC A24F 47/008; A24F 47/002

See application file for complete search history.

(56) **References Cited**

U.S. PATENT DOCUMENTS

- D122,811 S * 10/1940 Adams 206/38
- D138,373 S * 7/1944 Crane 206/256
- D141,079 S * 5/1945 Bogoff 220/DIG. 26
- D379,010 S * 4/1997 Digianni D27/189
- D385,653 S * 10/1997 Wicker D27/187

(Continued)

OTHER PUBLICATIONS

La Aurora Training Kit by Patrick Lagreid. dated Aug. 4, 2015.
found online [Aug. 11, 2017] <http://halfwheel.com/la-aurora-training-kit-emerald-brings-tasting-seminar-to-retail-humidors>.*

Primary Examiner — Robert M Spear

Assistant Examiner — Marissa J Cash

(74) *Attorney, Agent, or Firm* — Mark Terry

(57) **CLAIM**

The ornamental design for a cigar training kit, as shown and described.

DESCRIPTION

FIG. 1 is a front perspective view of a cigar training kit in an open position, showing the new design;

FIG. 2 is a front perspective view of the cigar training kit in an open position with an internal component removed;

FIG. 3 is a rear perspective view of the cigar training kit in an open position with an internal component removed;

FIG. 4 is a front perspective view of the cigar training kit in a closed position;

FIG. 5 is a rear perspective view of the cigar training kit in a closed position;

FIG. 6 is a top view of the cigar training kit in a closed position;

FIG. 7 is a top view of the cigar training kit in an open position;

FIG. 8 is a left side view of the cigar training kit in an open position;

FIG. 9 is a front view of the cigar training kit in an open position;

FIG. 10 is a right side view of the cigar training kit in an open position;

FIG. 11 is a bottom view of the cigar training kit in an open position;

FIG. 12 is a front perspective view of the cigar training kit in an open position with an internal component removed and opened;

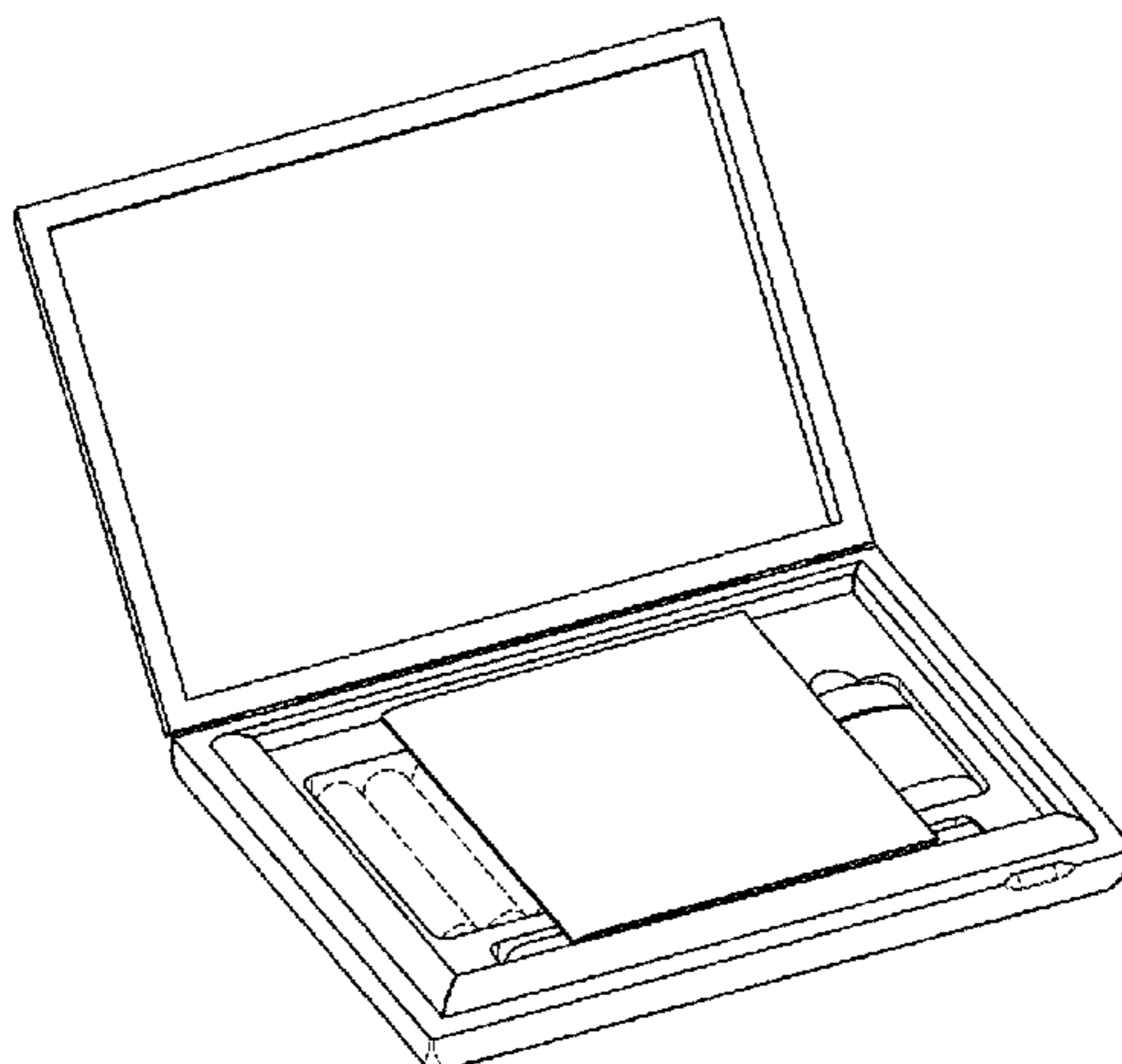
FIG. 13 is a rear perspective view of the cigar training kit in an open position with an internal component removed and opened;

FIG. 14 is an exploded front perspective view of the cigar training kit in an open position; and,

FIG. 15 is an exploded rear perspective view of the cigar training kit in an open position.

The uniformly dashed lines shown in the drawings illustrate portions of the cigar training kit which form no part of the claimed design.

1 Claim, 5 Drawing Sheets



(56)

References Cited

U.S. PATENT DOCUMENTS

D398,715	S	*	9/1998	Descalzo	D27/186
D409,329	S	*	5/1999	Bucher	D27/186
D414,891	S	*	10/1999	Schmaling	D27/186
D416,105	S	*	11/1999	Garrison	D27/189
D477,143	S	*	7/2003	Nagata	D3/294
D527,182	S	*	8/2006	Ham	D3/274
D529,288	S	*	10/2006	Ham	D3/274
D558,977	S	*	1/2008	Peart	D3/294
D612,094	S	*	3/2010	Bellamah	D27/189
D637,813	S	*	5/2011	Liang	D3/294
D675,434	S	*	2/2013	Vernall	D3/294
D692,177	S	*	10/2013	Angiolillo	D27/189
D692,615	S	*	10/2013	Verleur	D27/186
D715,051	S	*	10/2014	Tung	D3/294
D731,184	S	*	6/2015	Saydar	D3/294
D734,535	S	*	7/2015	Dyer	D27/189
D739,602	S	*	9/2015	Karl	D27/194
D751,251	S	*	3/2016	Fath	D27/189
D754,920	S	*	4/2016	Domon	D27/189
D756,560	S	*	5/2016	Ghiotti	D27/186
D756,562	S	*	5/2016	Ghiotti	D27/186
D756,563	S	*	5/2016	Joyce, III	D27/189
D759,378	S	*	6/2016	West	D3/294
D770,680	S	*	11/2016	Bennett	D27/189
D776,340	S	*	1/2017	Seibel	D27/189
D779,726	S	*	2/2017	Bennett	D27/189
D780,373	S	*	2/2017	Bennett	D27/186
D789,599	S	*	6/2017	Kesselman	D27/189
2007/0163911	A1	*	7/2007	Gelardi	B65D 43/16 206/473
2007/0246382	A1	*	10/2007	He	A24F 15/14 206/250

* cited by examiner

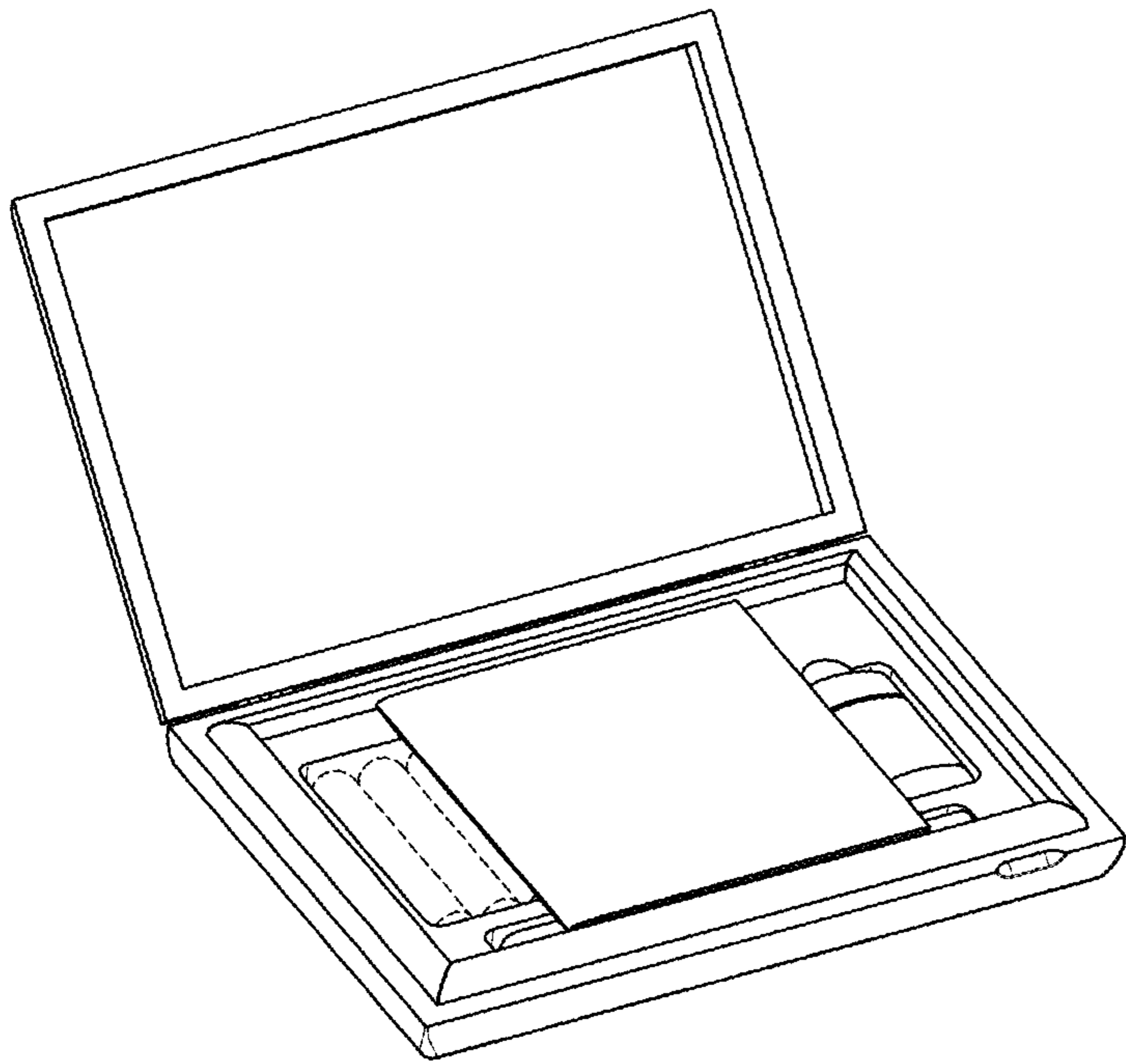


Fig. 1

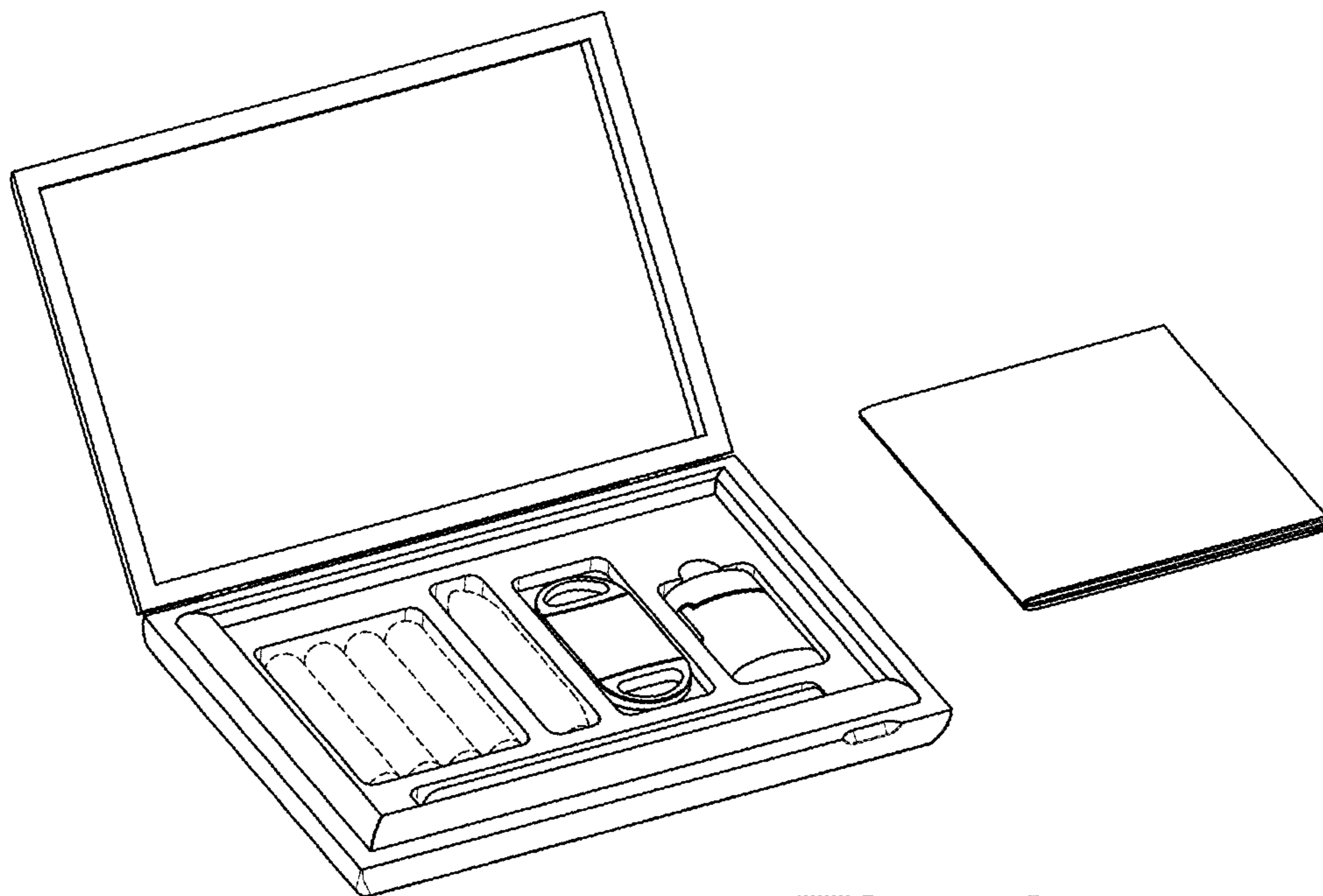


Fig. 2

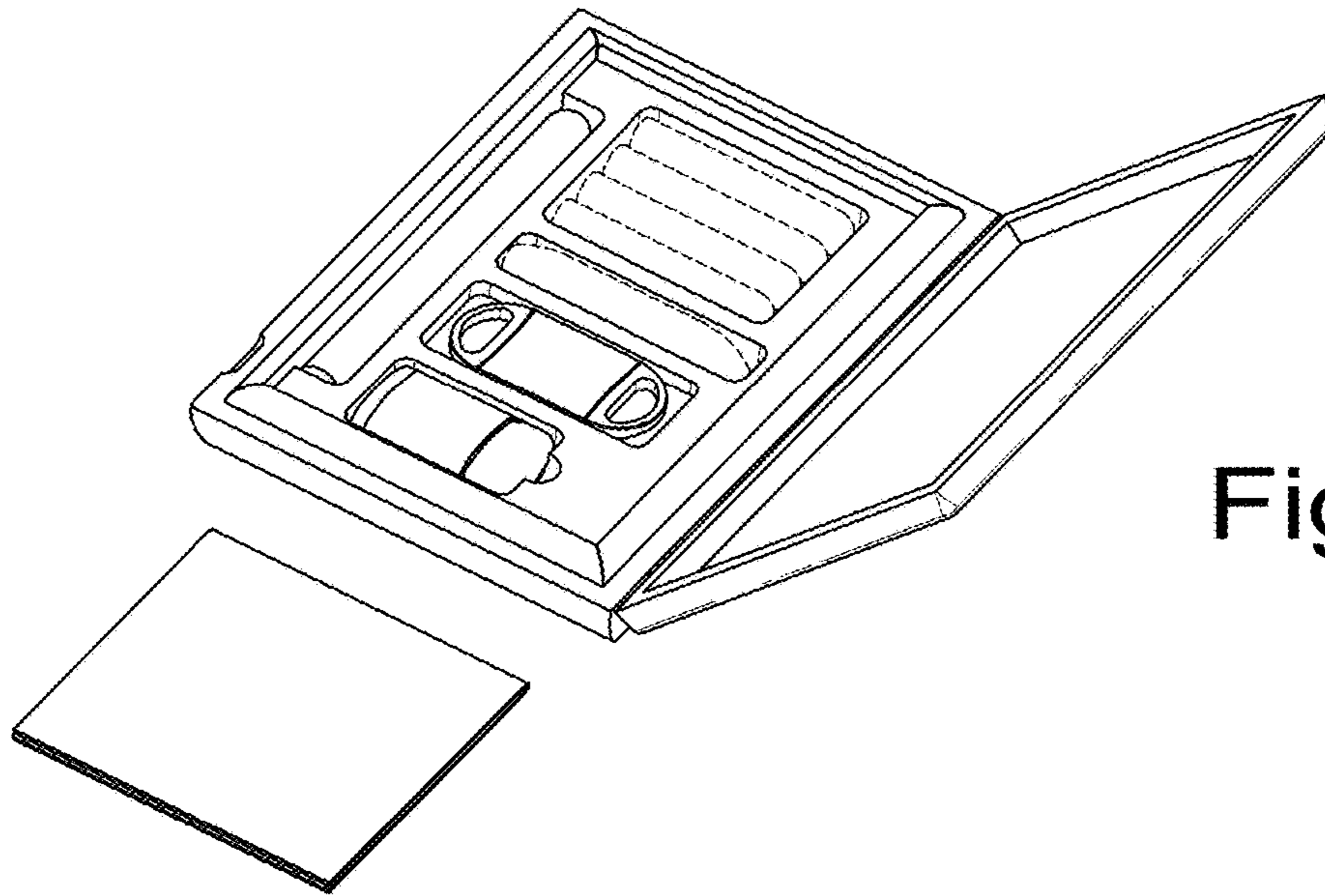


Fig. 3

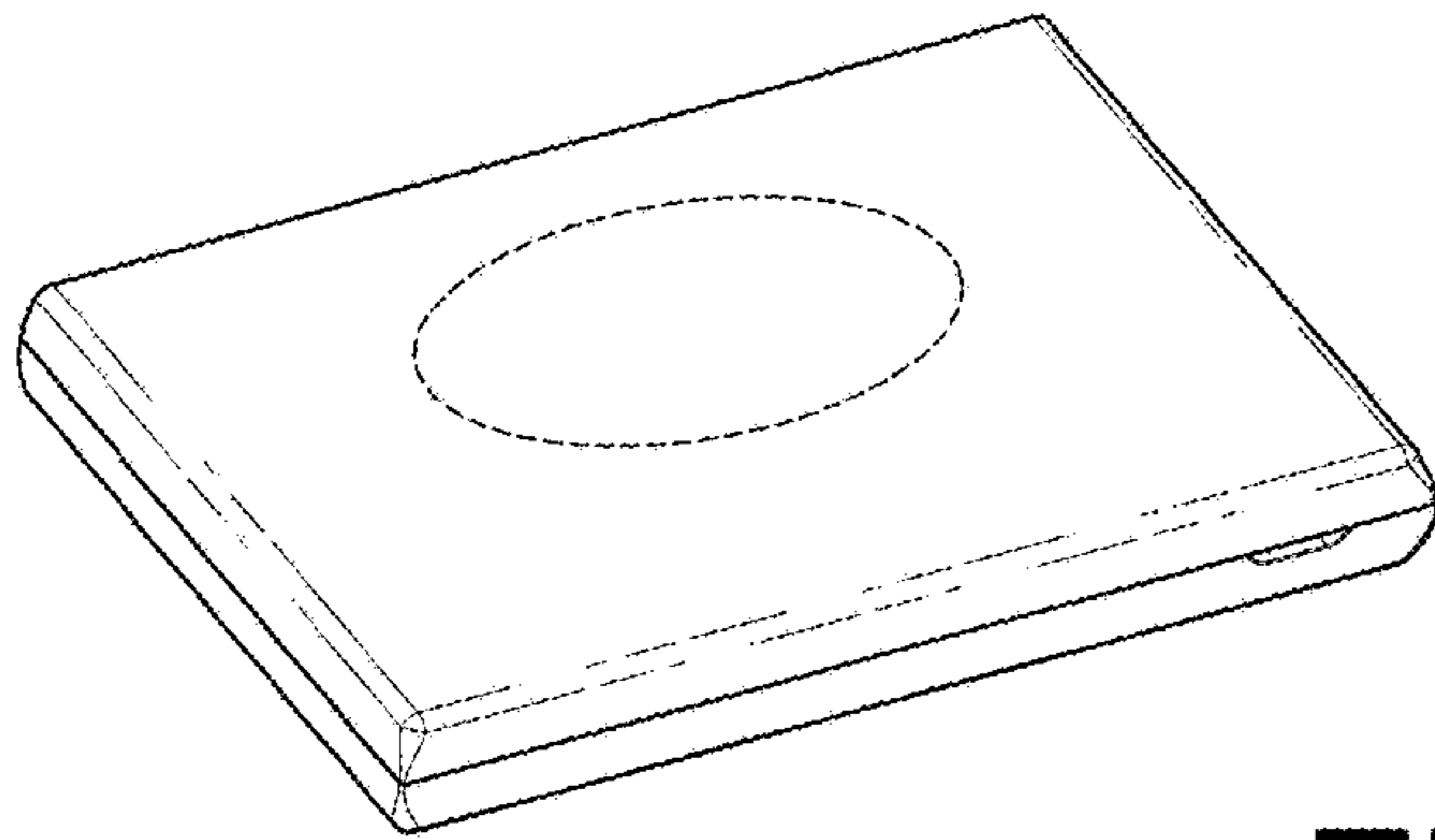


Fig. 4

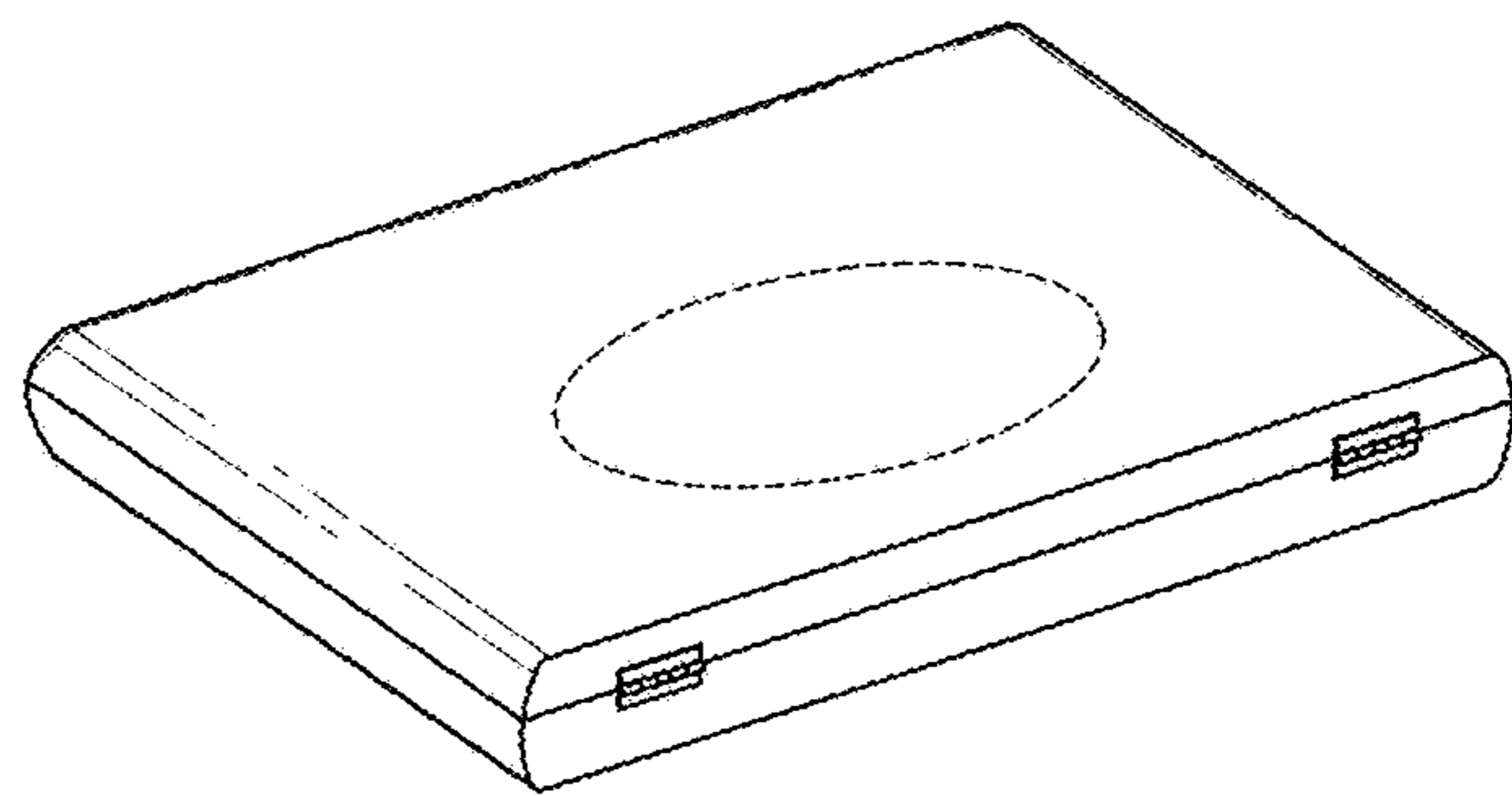


Fig. 5

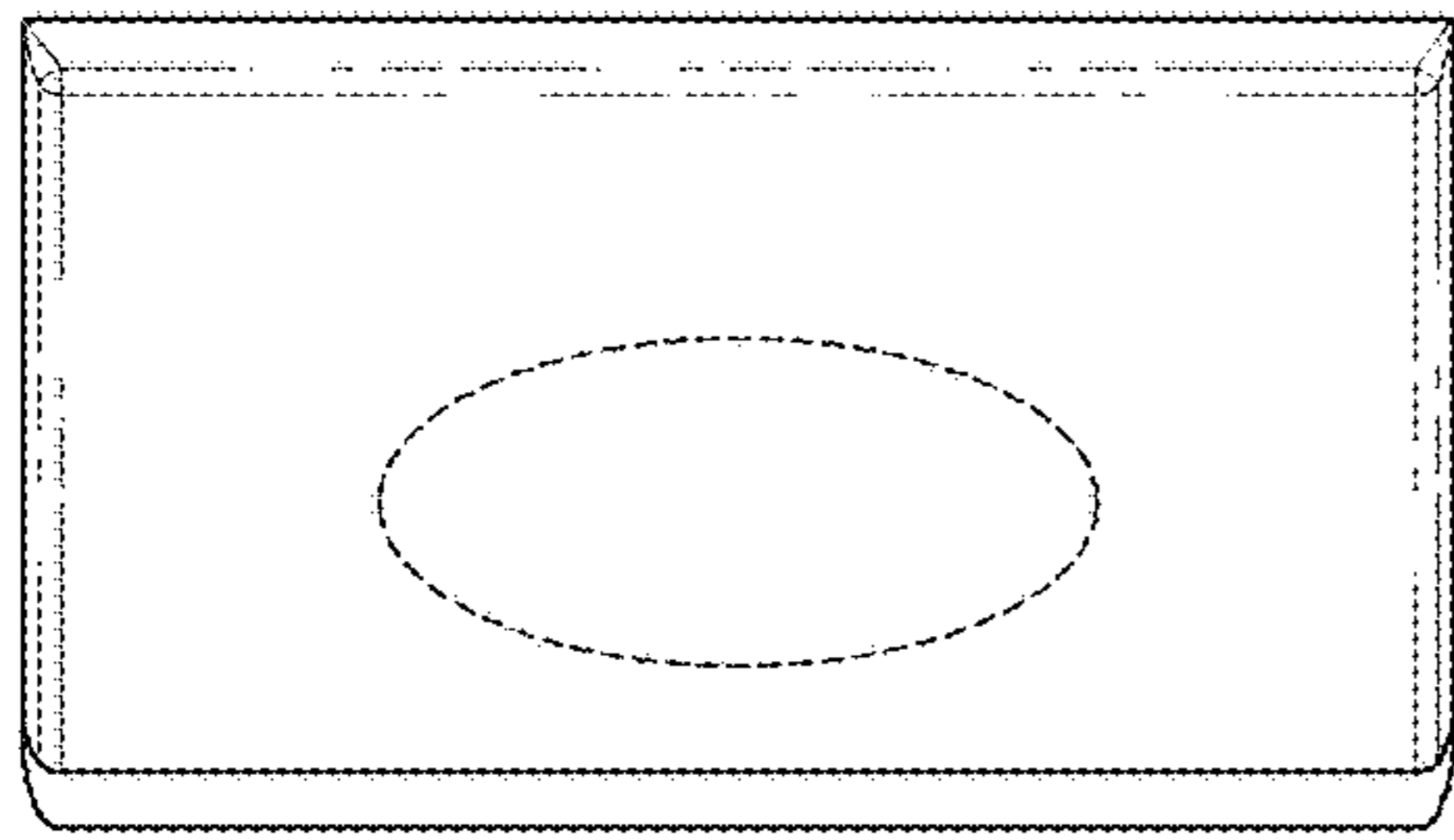


Fig. 6

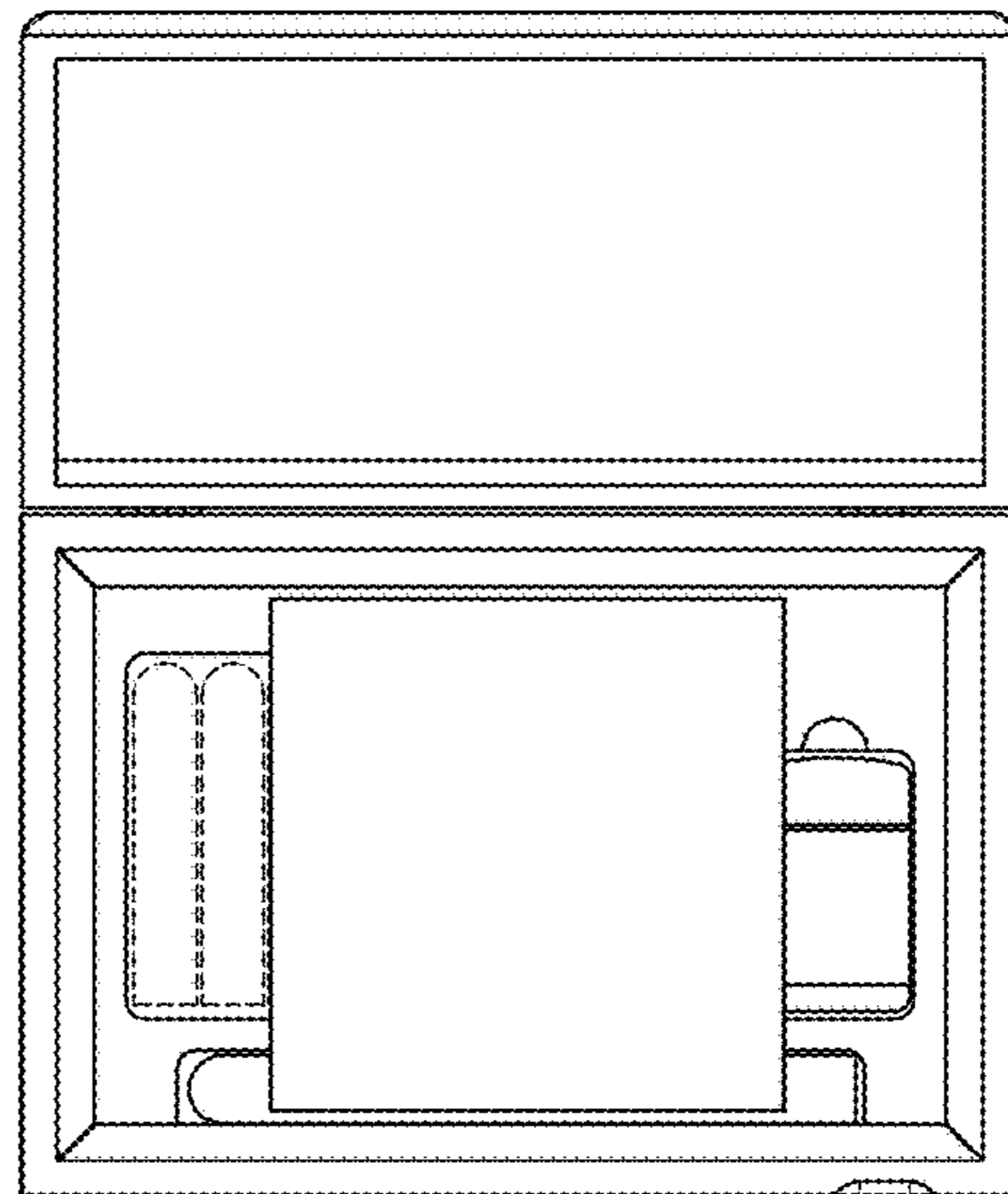


Fig. 7

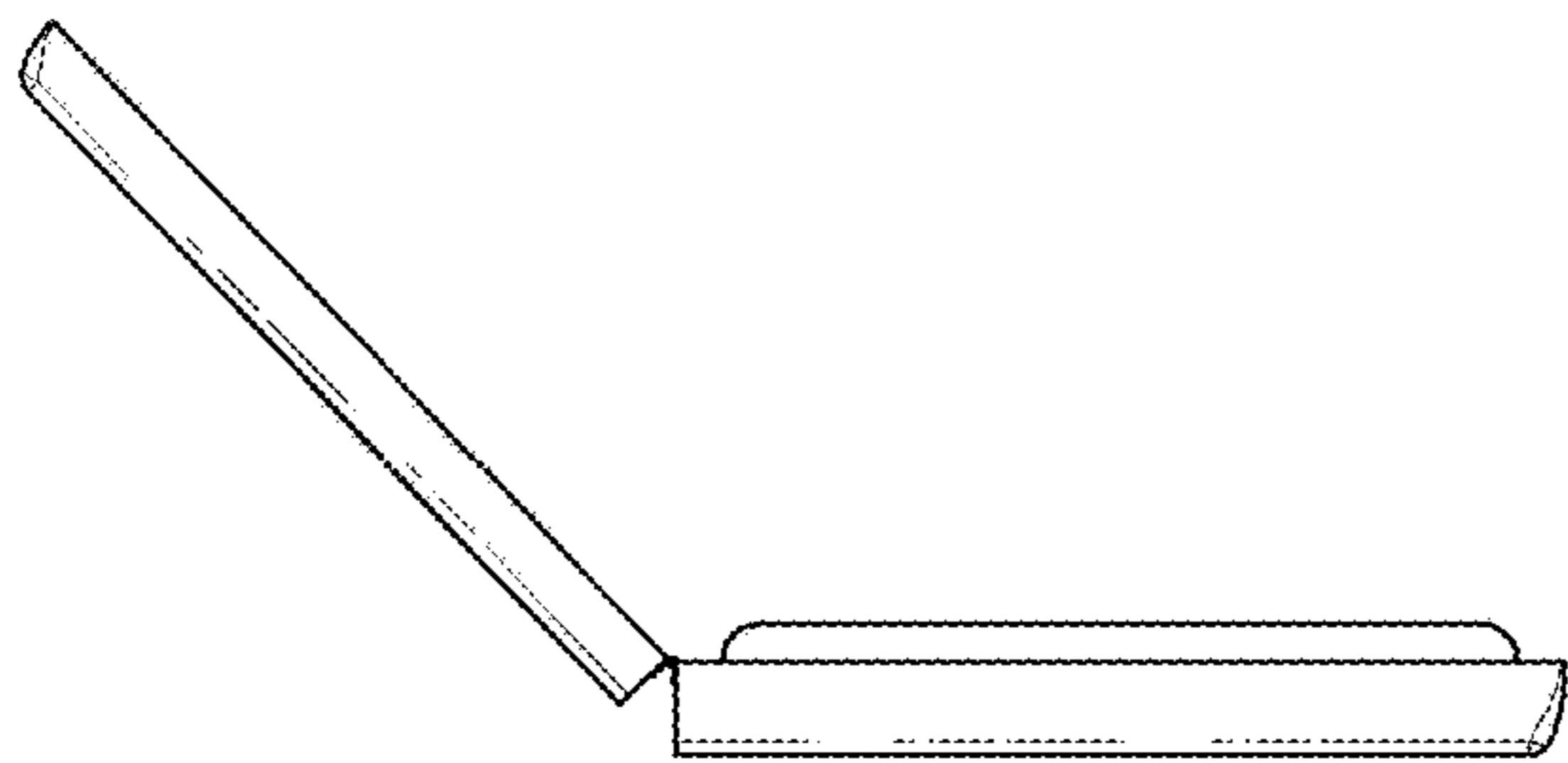


Fig. 8

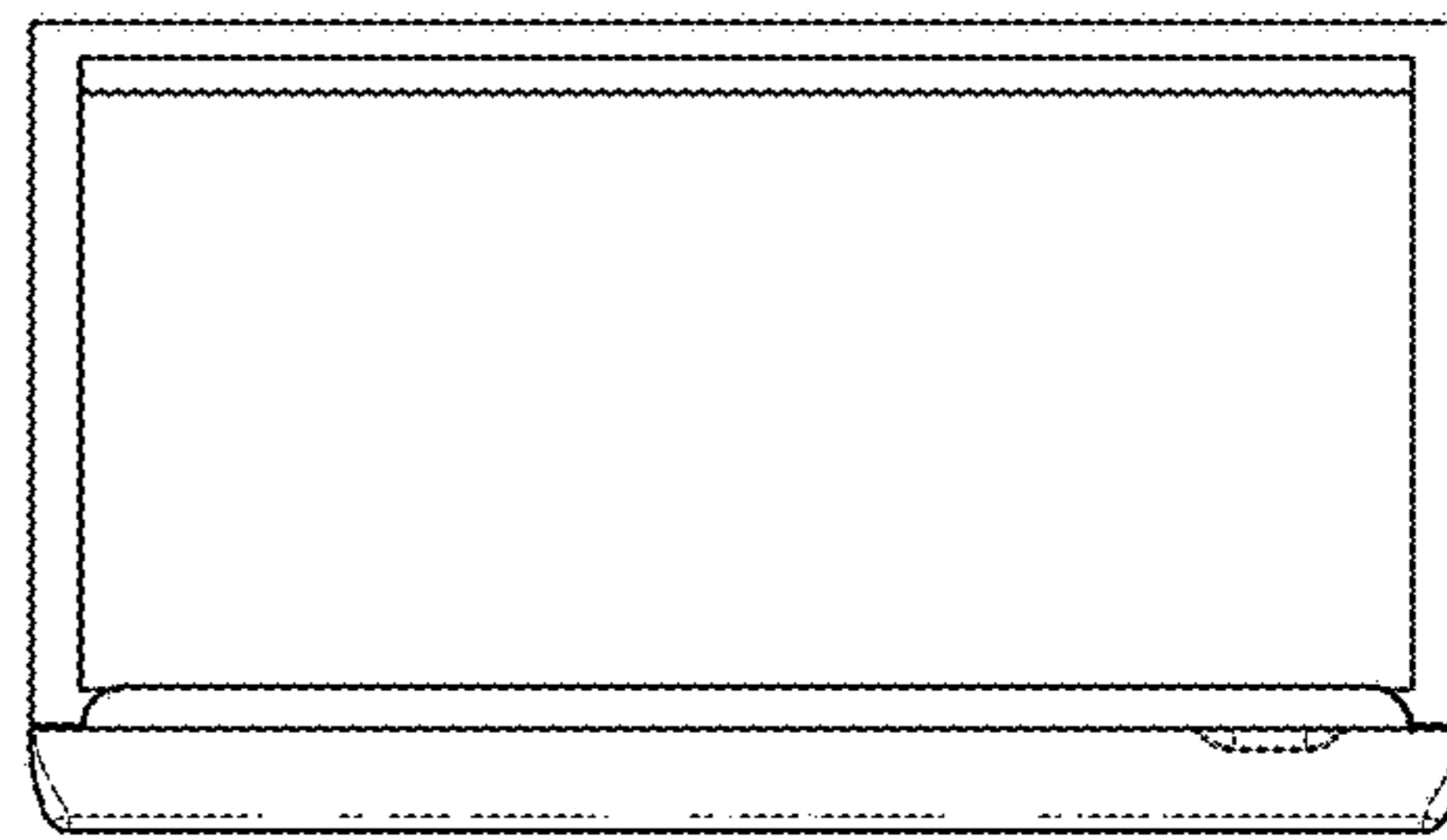


Fig. 9

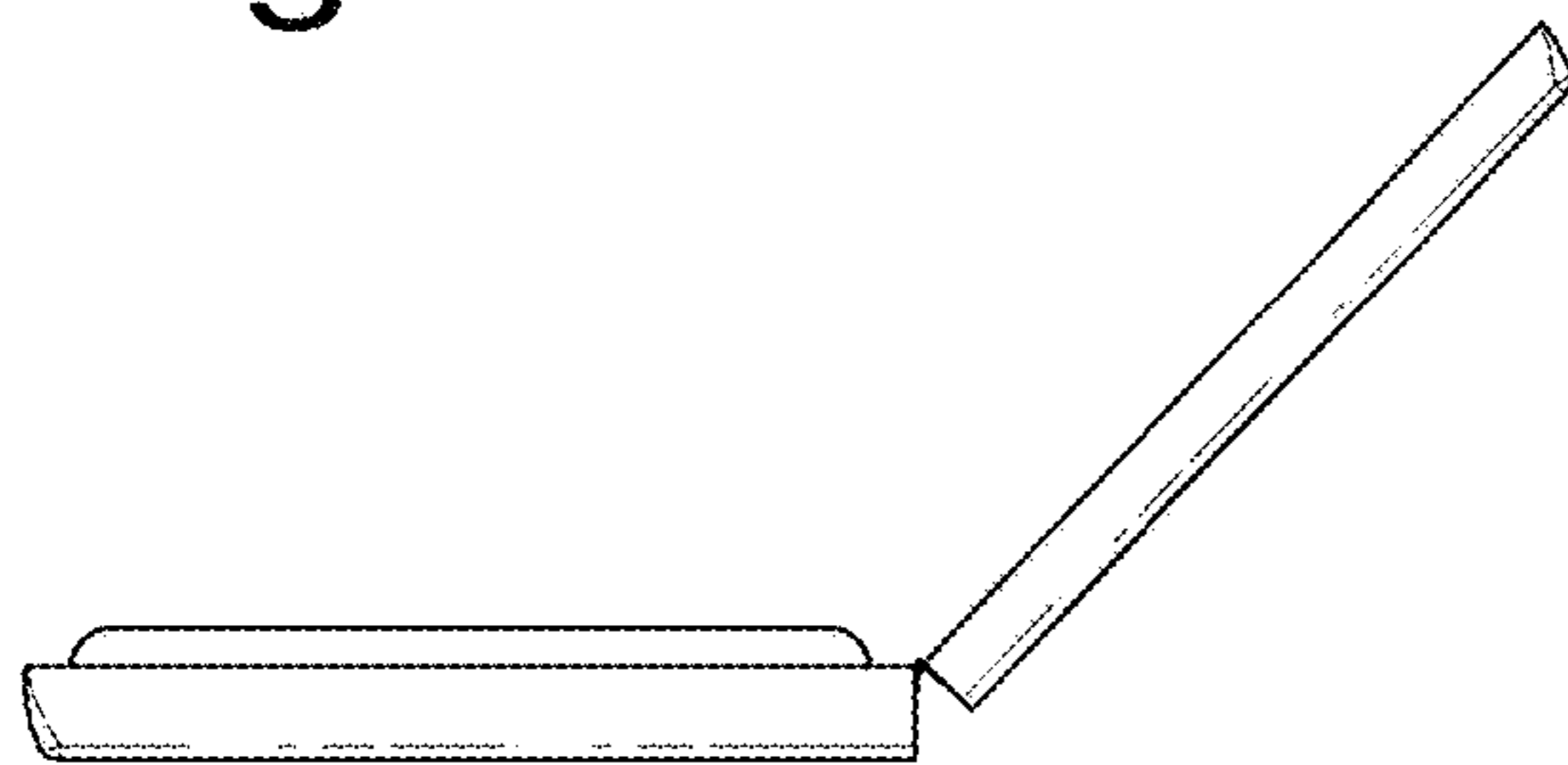


Fig. 10

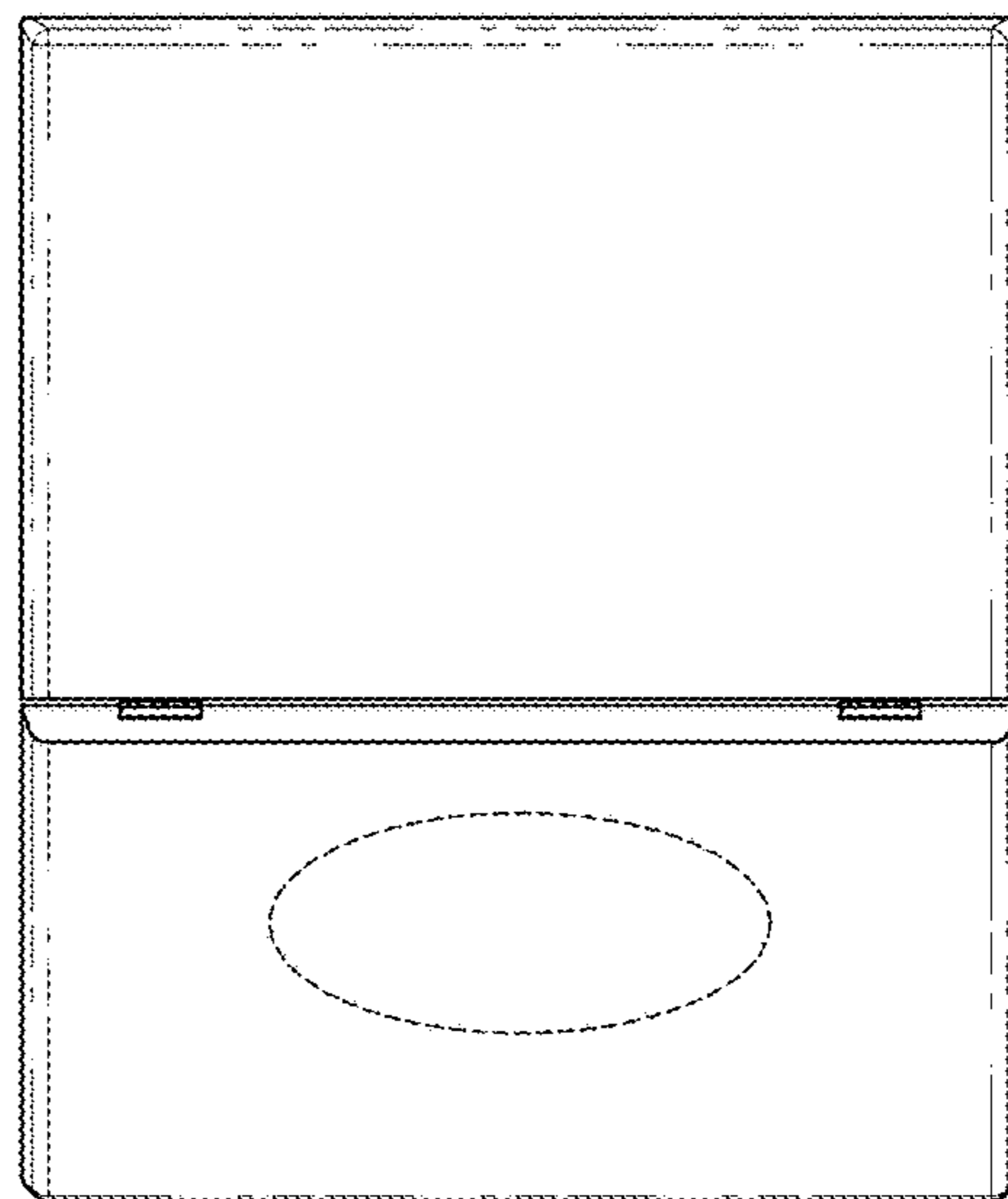


Fig. 11

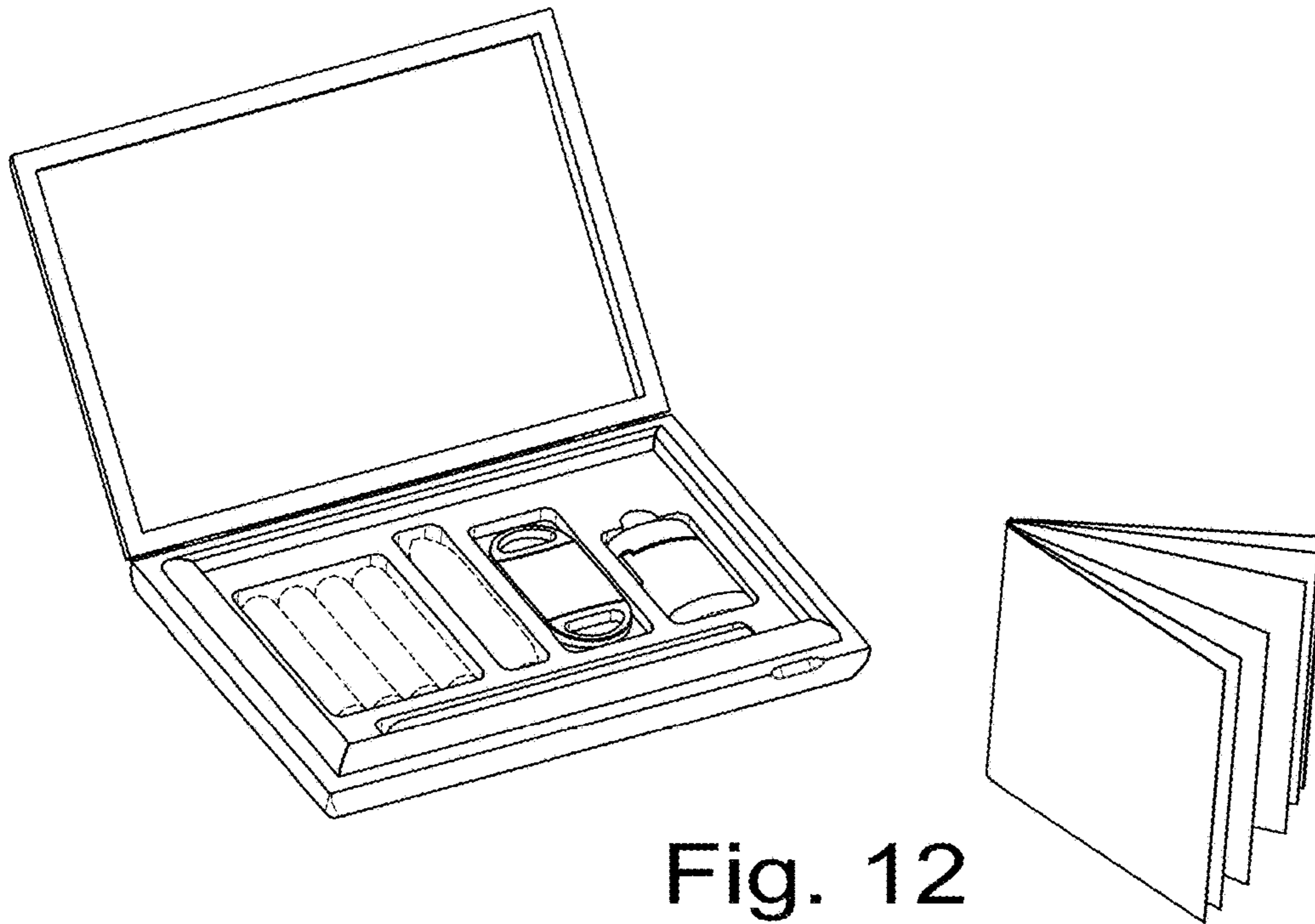


Fig. 12

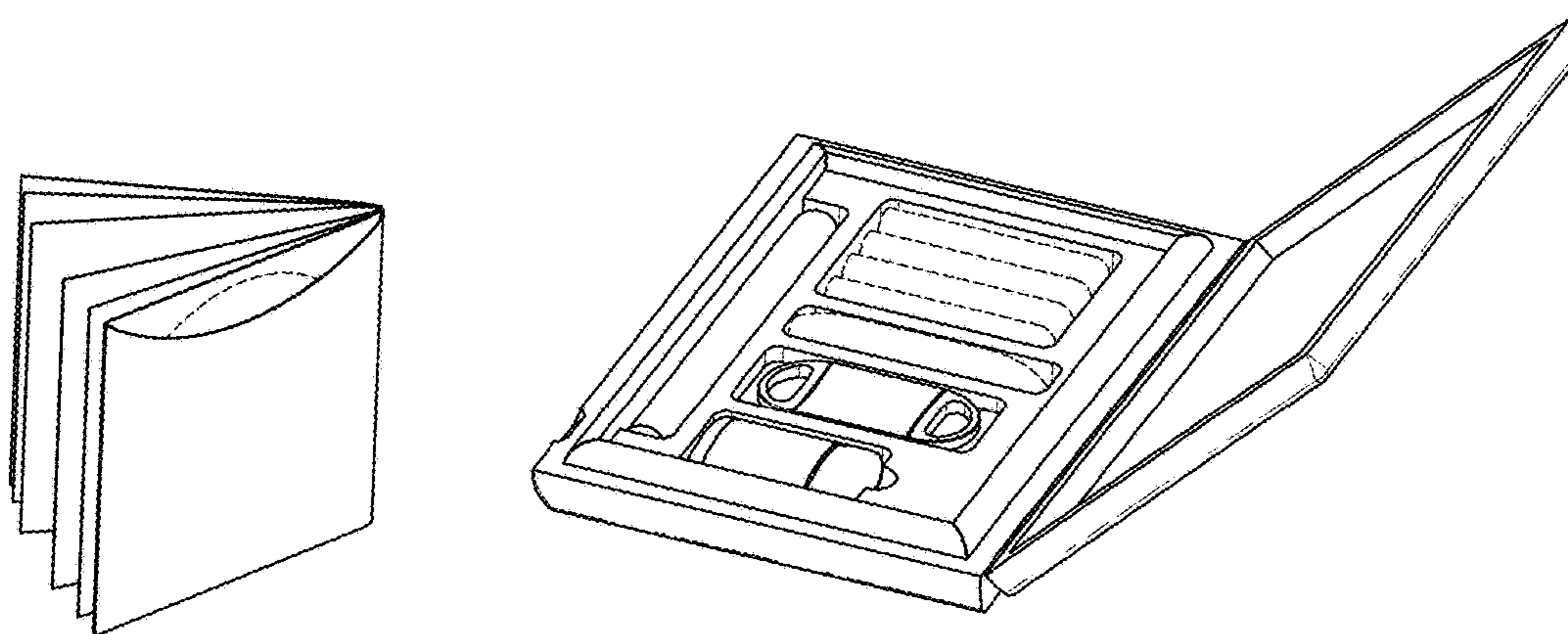


Fig. 13

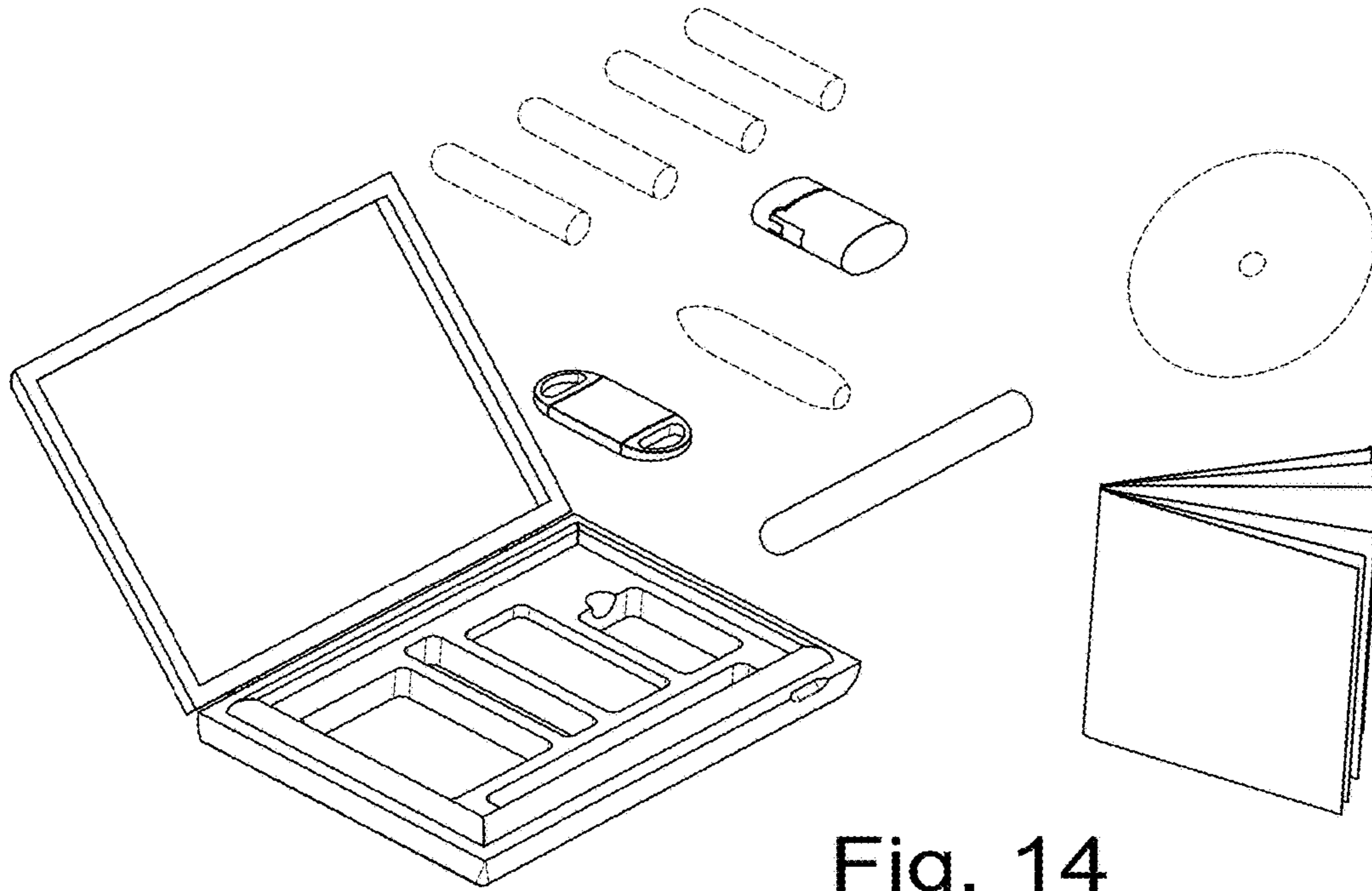


Fig. 14

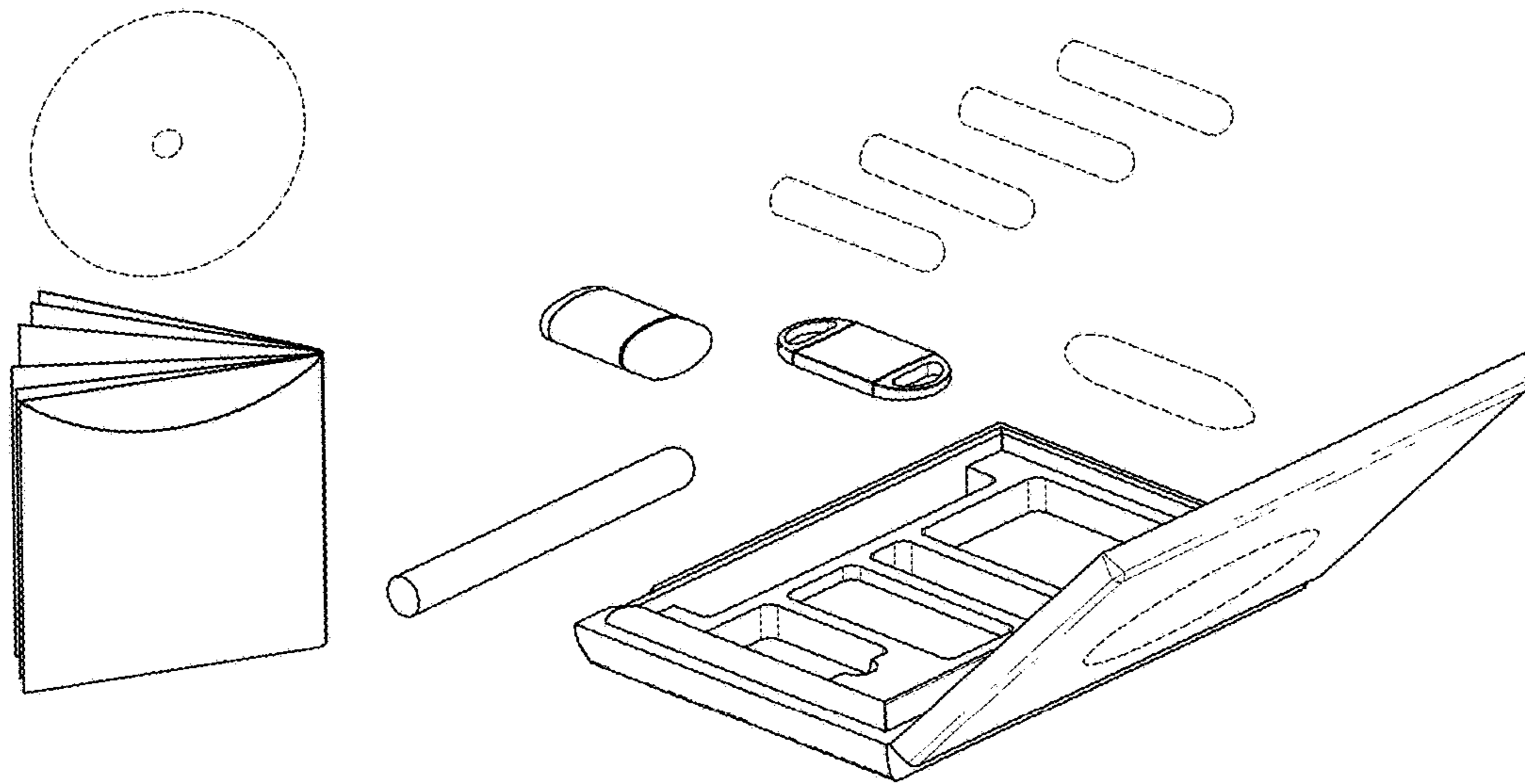


Fig. 15