



US00D806307S

(12) **United States Design Patent**
Zahn

(10) **Patent No.:** **US D806,307 S**

(45) **Date of Patent:** **** Dec. 26, 2017**

(54) **LIGHTING FIXTURE**

(71) Applicant: **Karl Stefan Zahn**, Brooklyn, NY (US)

(72) Inventor: **Karl Stefan Zahn**, Brooklyn, NY (US)

(**) Term: **15 Years**

(21) Appl. No.: **29/573,342**

(22) Filed: **Aug. 4, 2016**

(51) **LOC (10) Cl.** **26-03**

(52) **U.S. Cl.**
USPC **D26/106**

(58) **Field of Classification Search**
USPC D26/1, 24, 93, 104, 106, 110, 112, 82,
D26/88, 120, 128; D11/143
CPC F21S 6/00; F21S 6/002; F21S 6/004; F21S
6/006; F21S 8/00; F21S 10/00; F21V
21/02; F21W 2131/30; F21Y 2105/00
See application file for complete search history.

(56) **References Cited**

U.S. PATENT DOCUMENTS

D176,082 S * 11/1955 Puzey et al. D26/106
D462,296 S * 9/2002 Bates D11/143

D464,762 S * 10/2002 De Lucchi D26/106
D468,478 S * 1/2003 Landefeld D26/106
D632,835 S * 2/2011 Arbel D26/128
D660,500 S * 5/2012 Martin D26/82
D757,333 S * 5/2016 Ye D26/93
D759,292 S * 6/2016 Zahn D26/120

* cited by examiner

Primary Examiner — Brian N. Vinson
(74) *Attorney, Agent, or Firm* — Timothy W. Menasco,
Esq.; Harter Secrest & Emery LLP

(57) **CLAIM**

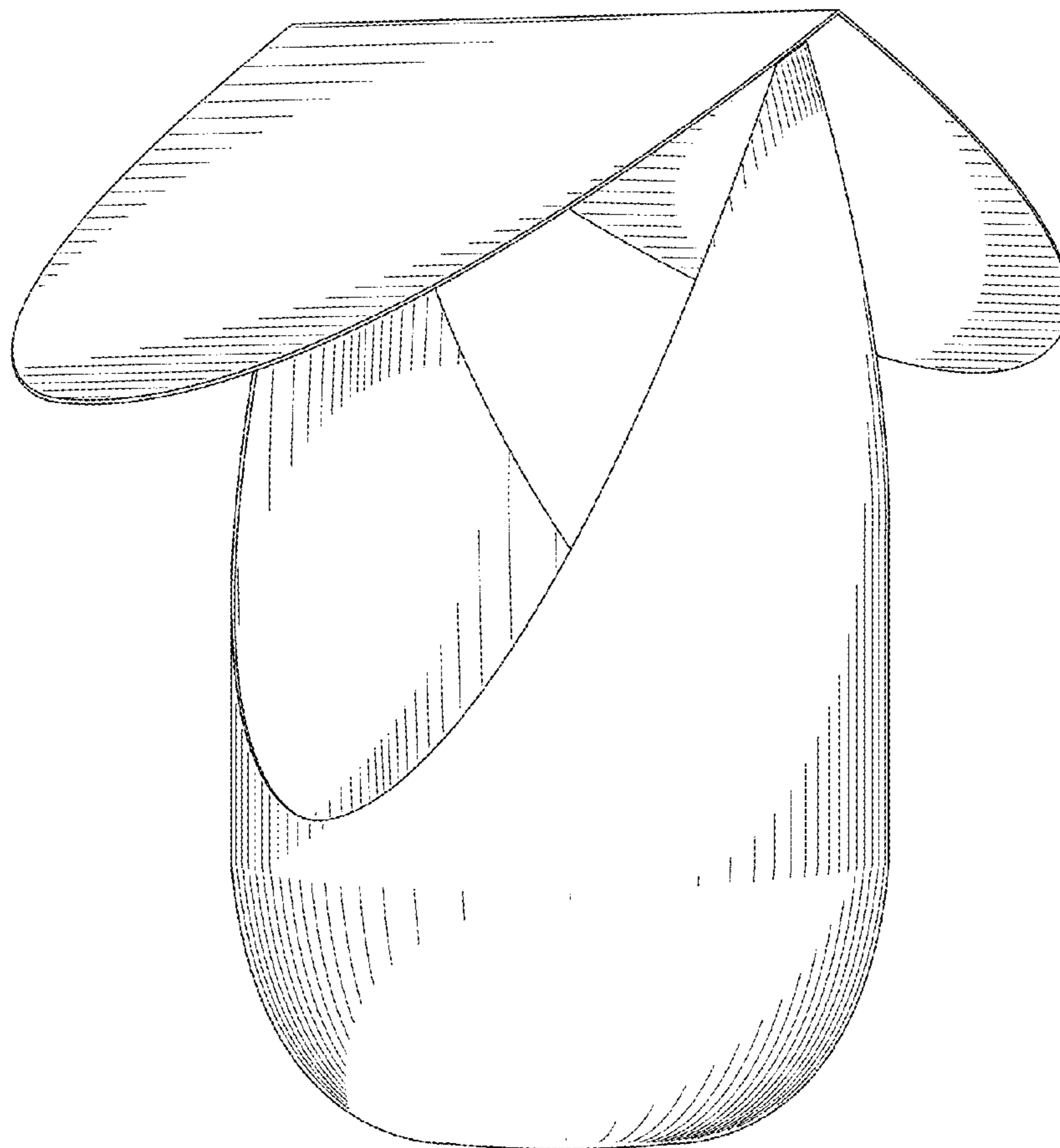
The ornamental design for a light fixture, as shown and described.

DESCRIPTION

FIG. 1 is a front perspective view of a lighting fixture in accordance with the present invention;
FIG. 2 is a front view thereof;
FIG. 3 is a right side view thereof;
FIG. 4 is a rear view thereof;
FIG. 5 is a left side view thereof;
FIG. 6 is a top view thereof; and,
FIG. 7 is a bottom view thereof.

The broken lines of the Figures are for illustrative purposes only and form no part of the claimed design.

1 Claim, 6 Drawing Sheets



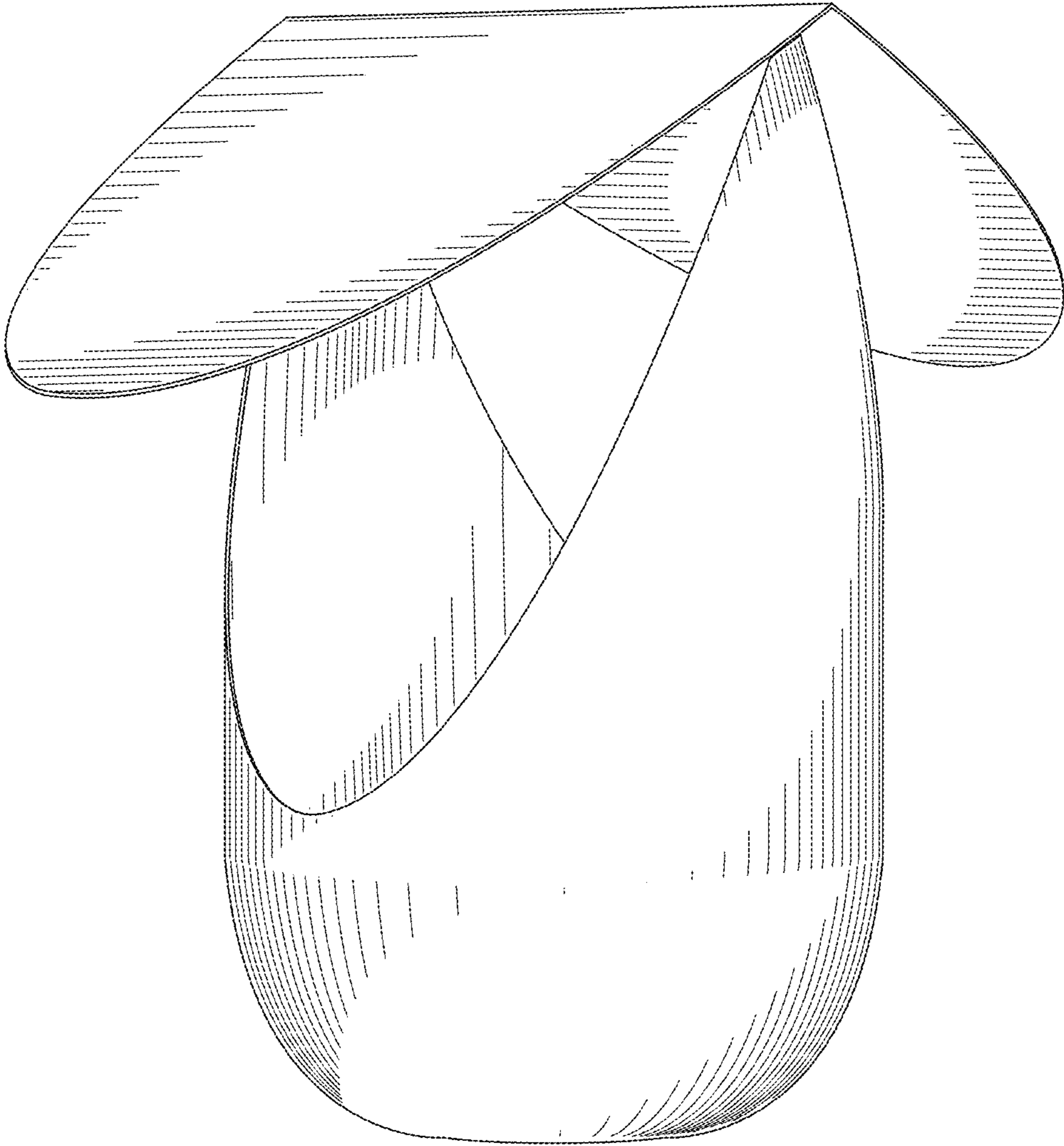


FIG. 1

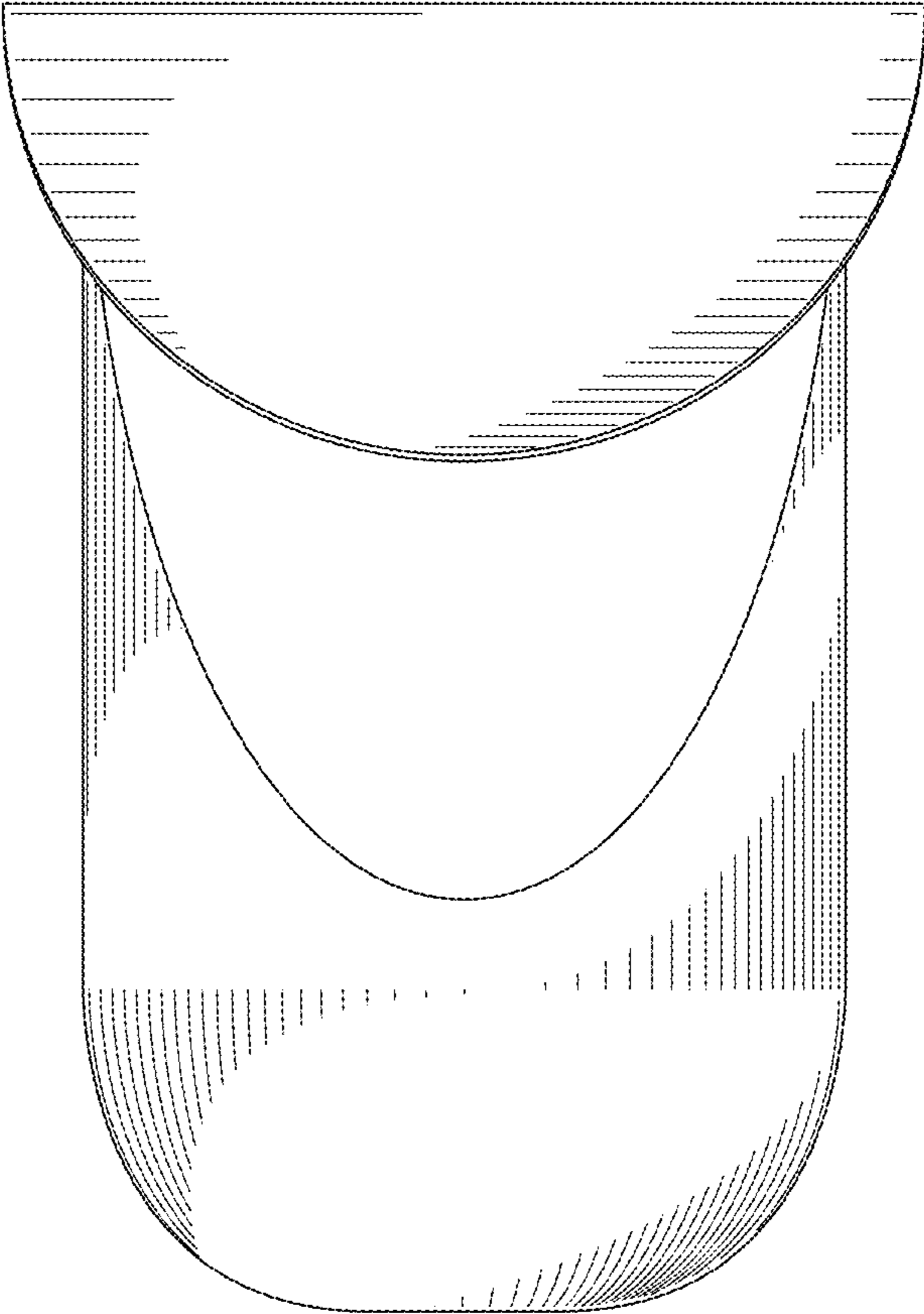


FIG. 2

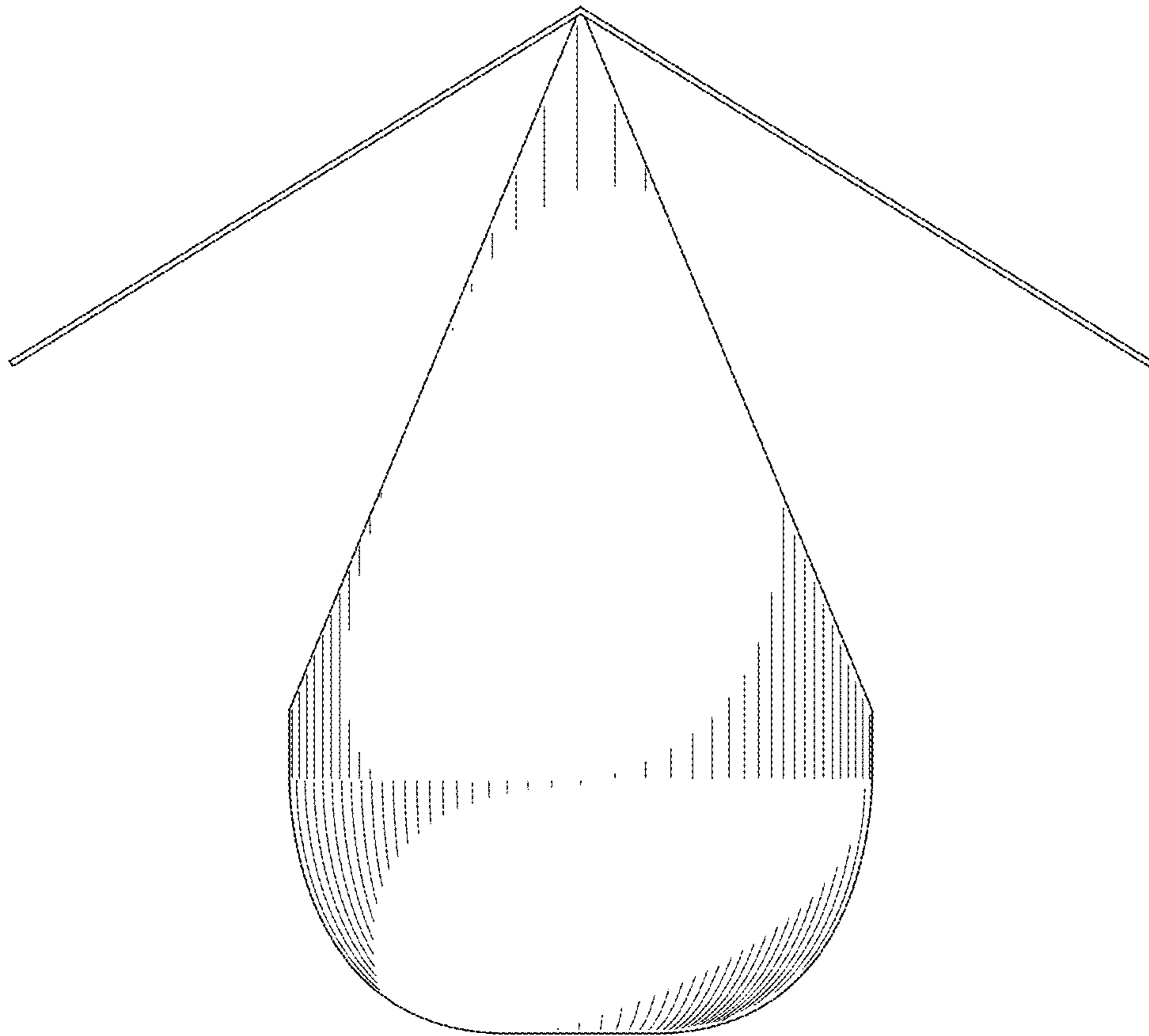


FIG. 3

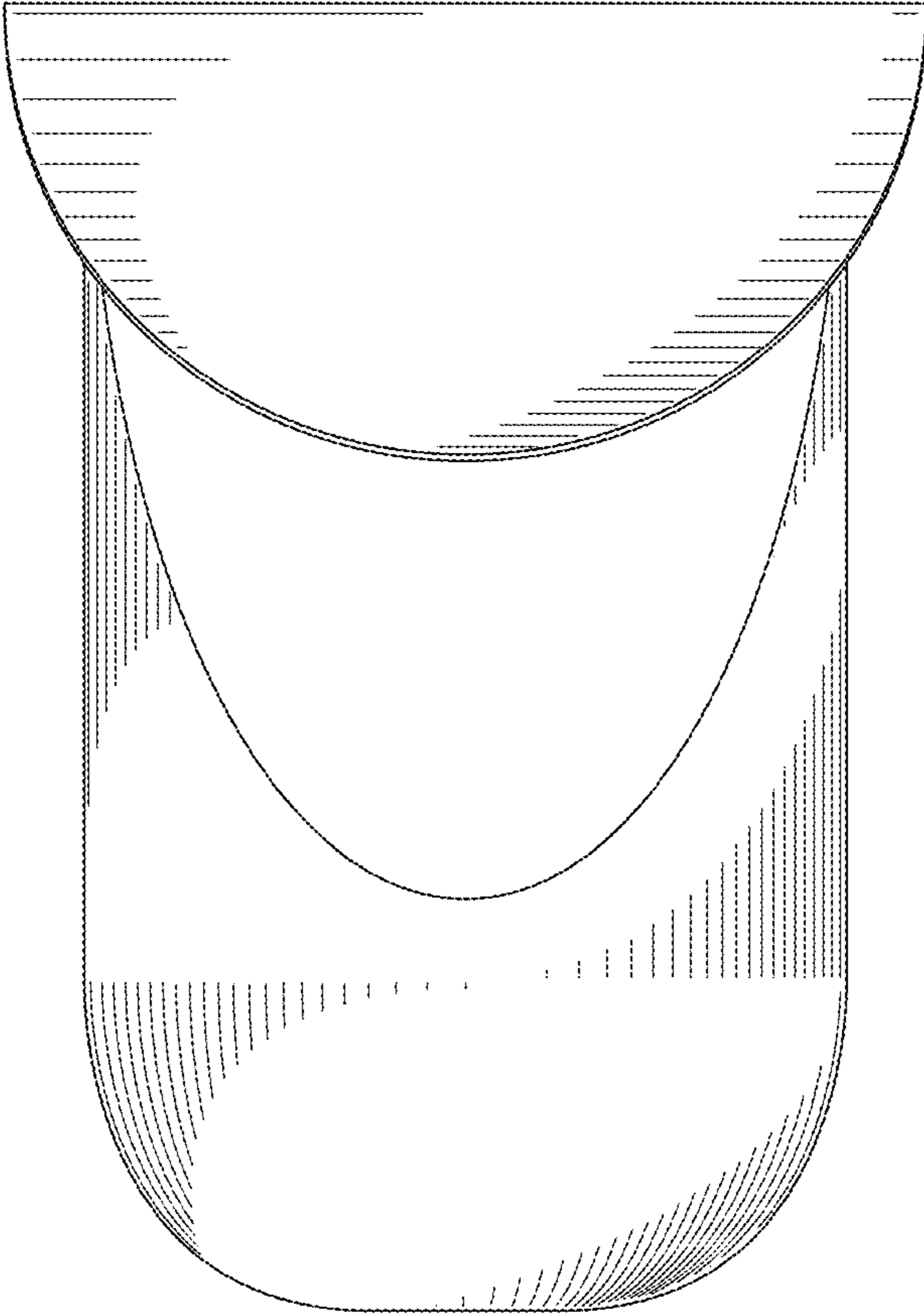


FIG. 4

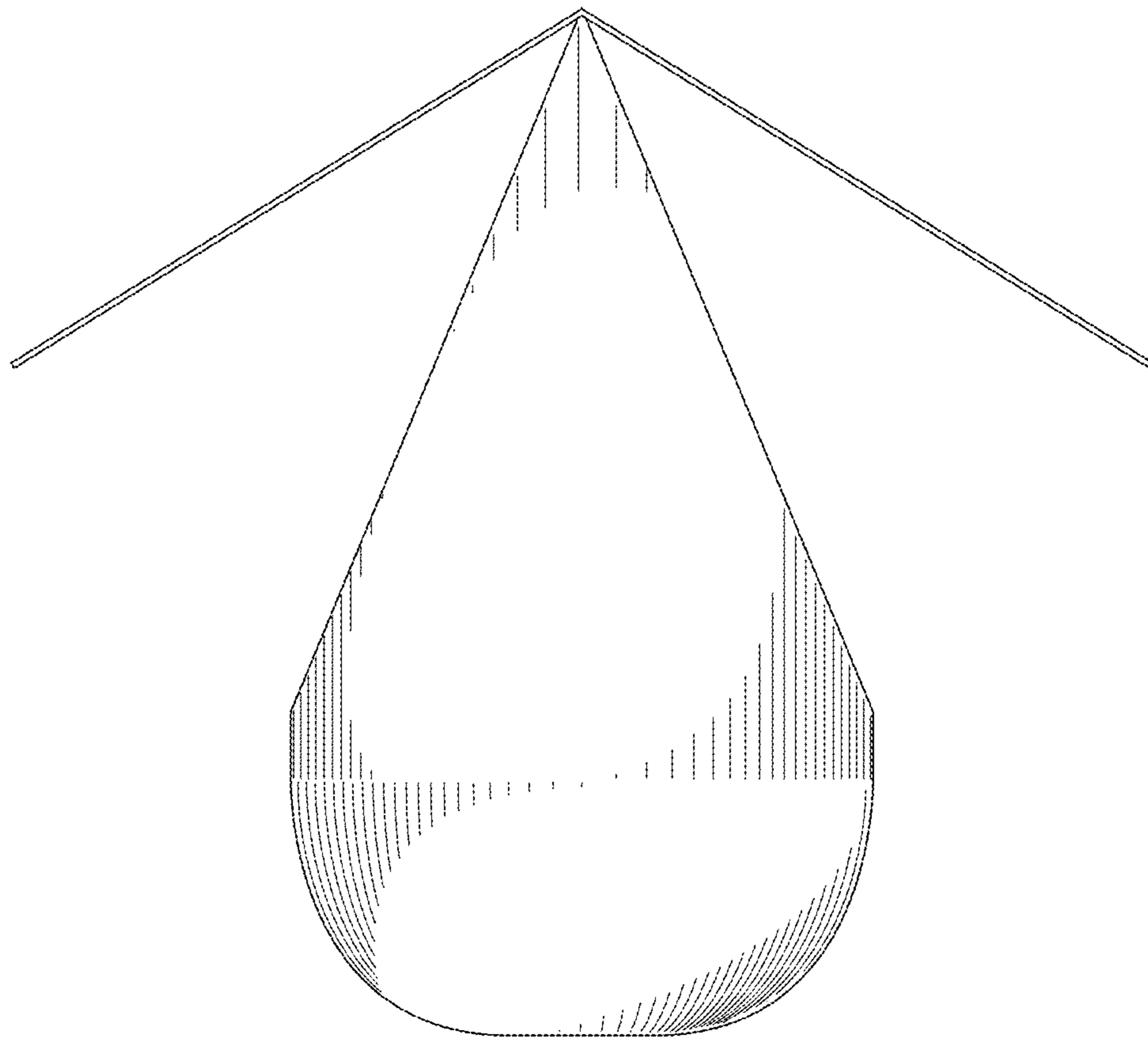


FIG. 5

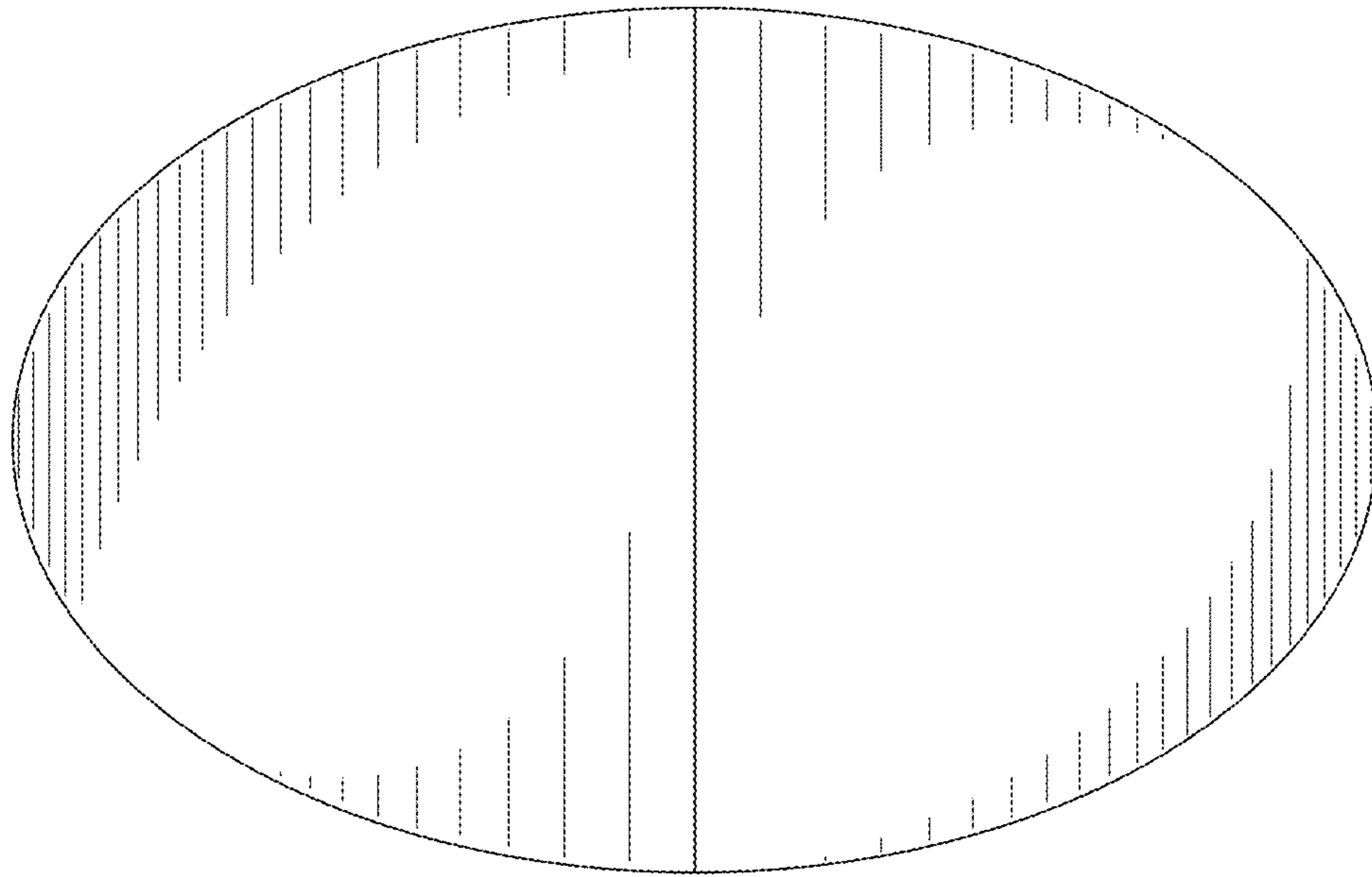


FIG. 6

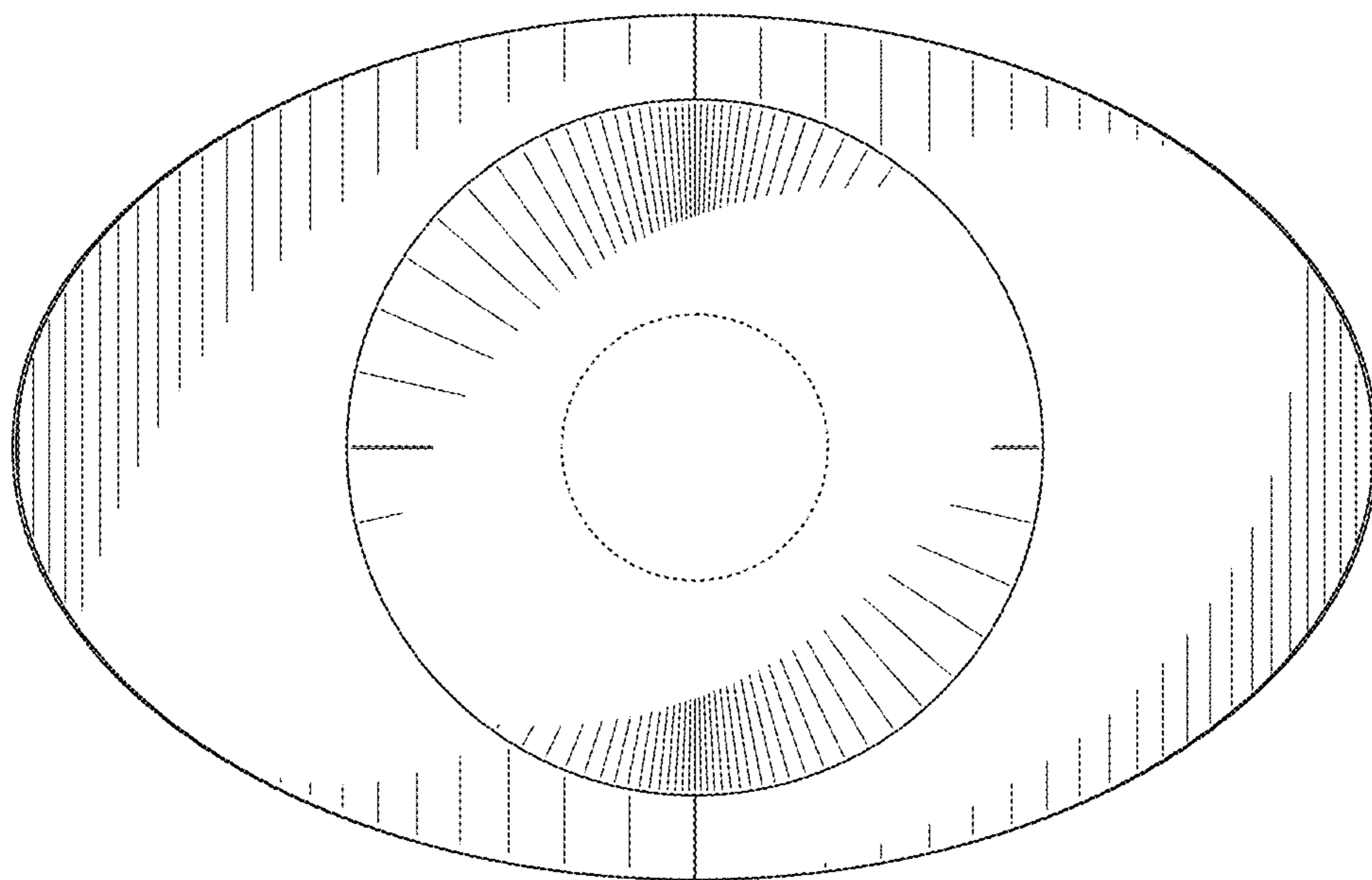


FIG. 7