



US00D806306S

(12) **United States Design Patent**
Yang

(10) **Patent No.:** **US D806,306 S**

(45) **Date of Patent:** **** Dec. 26, 2017**

(54) **SOLAR WALL LIGHT**

(71) Applicant: **LEAD OPTO-TECHNOLOGY CO., LTD**, Shenzhen (CN)

(72) Inventor: **Ming Yang**, Shaoyang (CN)

(73) Assignee: **LEAD OPTO-TECHNOLOGY CO., LTD**, Shenzhen (CN)

(**) Term: **15 Years**

(21) Appl. No.: **29/570,610**

(22) Filed: **Jul. 11, 2016**

(51) **LOC (10) Cl.** **26-03**

(52) **U.S. Cl.**
USPC **D26/85**

(58) **Field of Classification Search**
USPC D26/67, 72, 85, 87, 92; D10/106.6, D10/106.8
CPC F21S 8/03; F21S 8/033; F21S 8/036; F21S 8/037; F21S 9/022; F21S 9/024; F21S 9/03; F21S 9/035; F21S 9/037; F21W 2131/107
See application file for complete search history.

(56) **References Cited**

U.S. PATENT DOCUMENTS

D151,626 S * 11/1948 Kress D26/85
D189,857 S * 3/1961 Lasker D26/85
D213,391 S * 2/1969 Bruno D26/76
D217,037 S * 3/1970 Weinstock D10/106.6

D255,106 S * 5/1980 Bodenrader D10/111
D339,079 S * 9/1993 Behlke D10/106.6
D626,270 S * 10/2010 Waldmann D26/85
D627,094 S * 11/2010 Verelst D26/85
D627,916 S * 11/2010 Butteris D26/85
D647,662 S * 10/2011 Verelst D26/85
D691,319 S * 10/2013 Guercio D26/85
D791,994 S * 7/2017 Liu D10/106.8
2015/0167936 A1* 6/2015 Yong F21V 29/83 362/190

OTHER PUBLICATIONS

LEDSTAR LED solar wall light No. SWL-1.5W-1. Available as early as Dec. 2016.(3 pages).*

* cited by examiner

Primary Examiner — Claire E Heflin

(74) *Attorney, Agent, or Firm* — Gokalp Bayramoglu

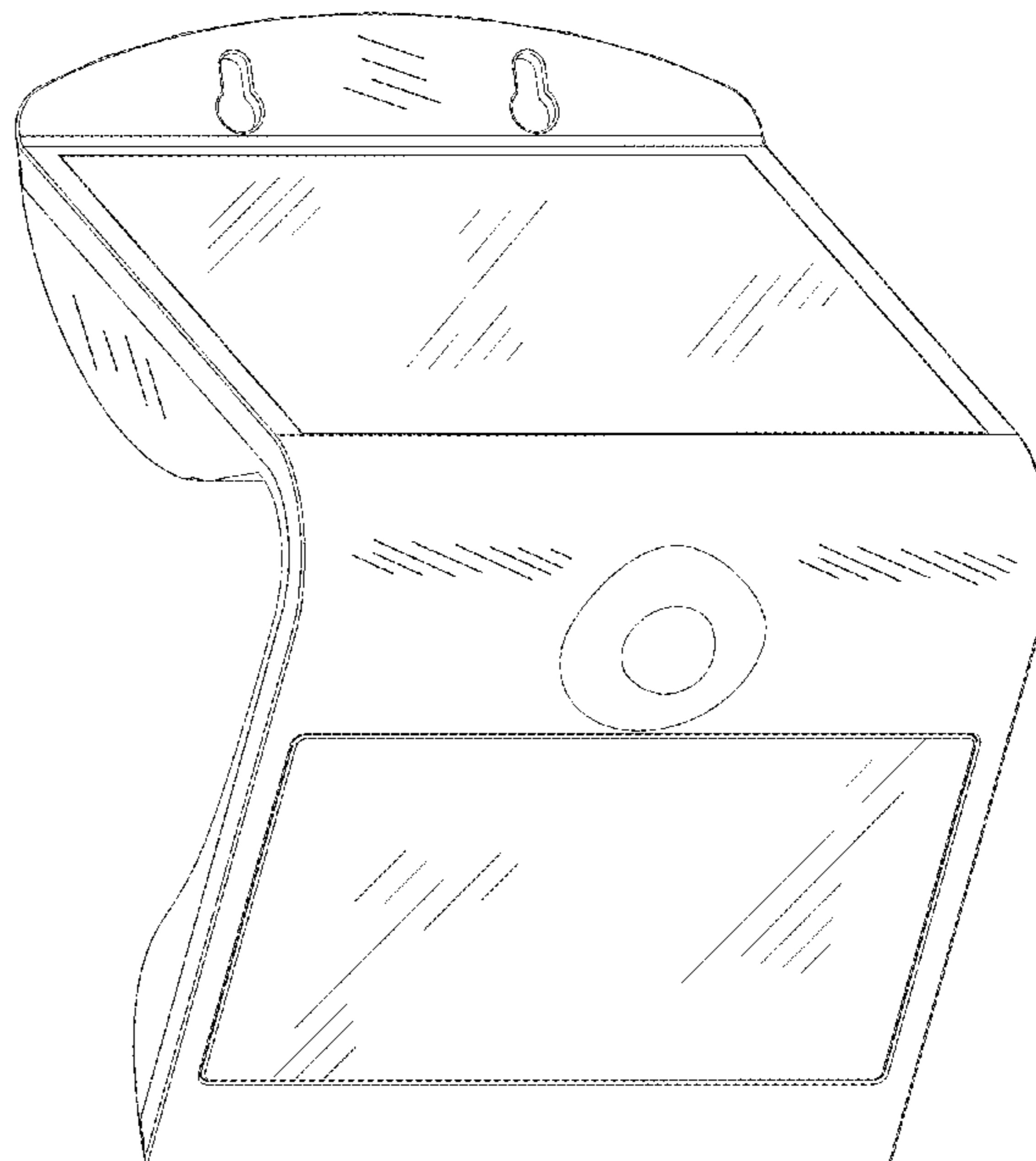
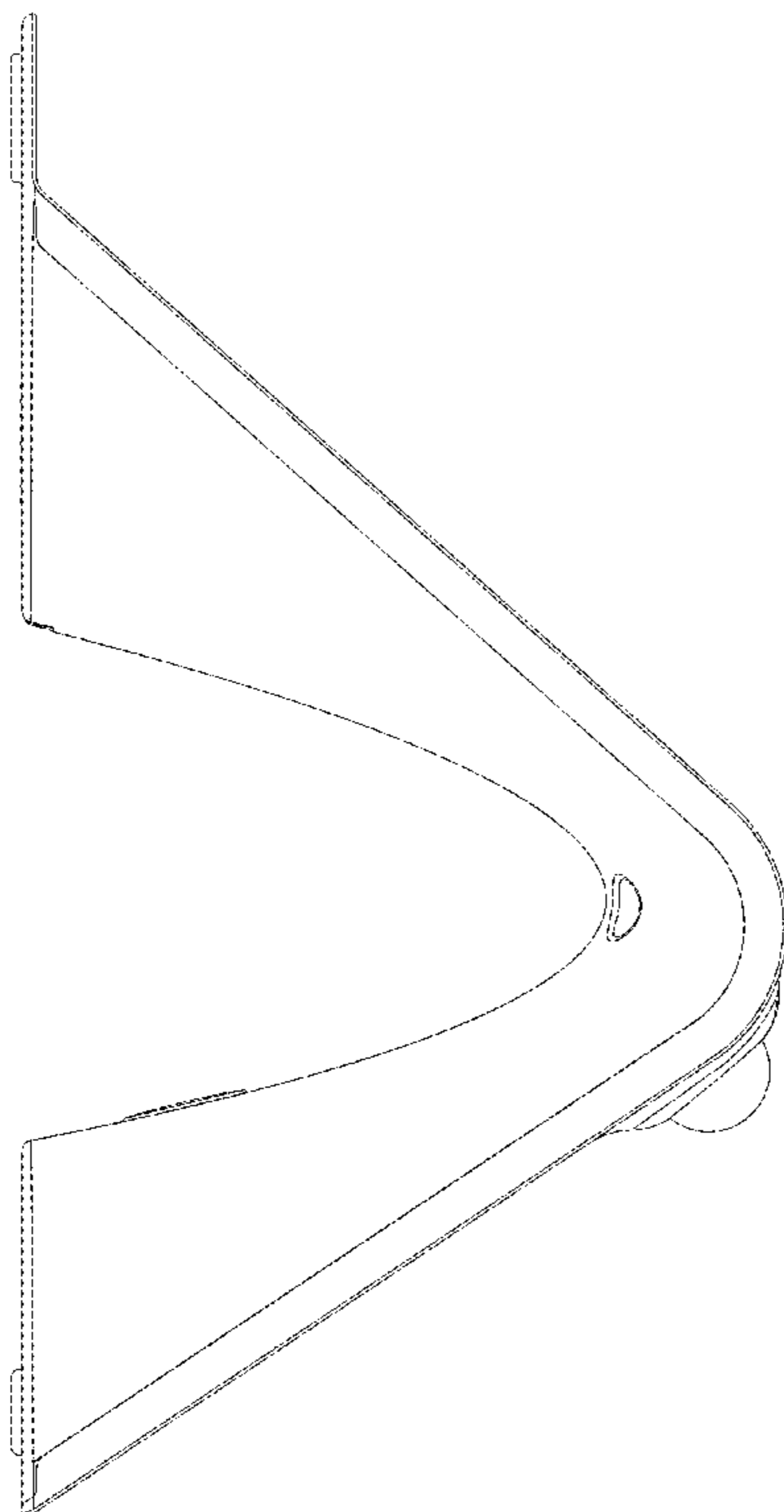
(57) **CLAIM**

The ornamental design for a solar wall light, as shown and described.

DESCRIPTION

FIG. 1 is a front view of the solar wall light;
FIG. 2 is a rear view of the solar wall light;
FIG. 3 is a left side view of the solar wall light;
FIG. 4 is a right side view of the solar wall light;
FIG. 5 is a top view of the solar wall light;
FIG. 6 is a bottom view of the solar wall light;
FIG. 7 is a front perspective view of the solar wall light; and,
FIG. 8 is a rear perspective view of the solar wall light.

1 Claim, 8 Drawing Sheets



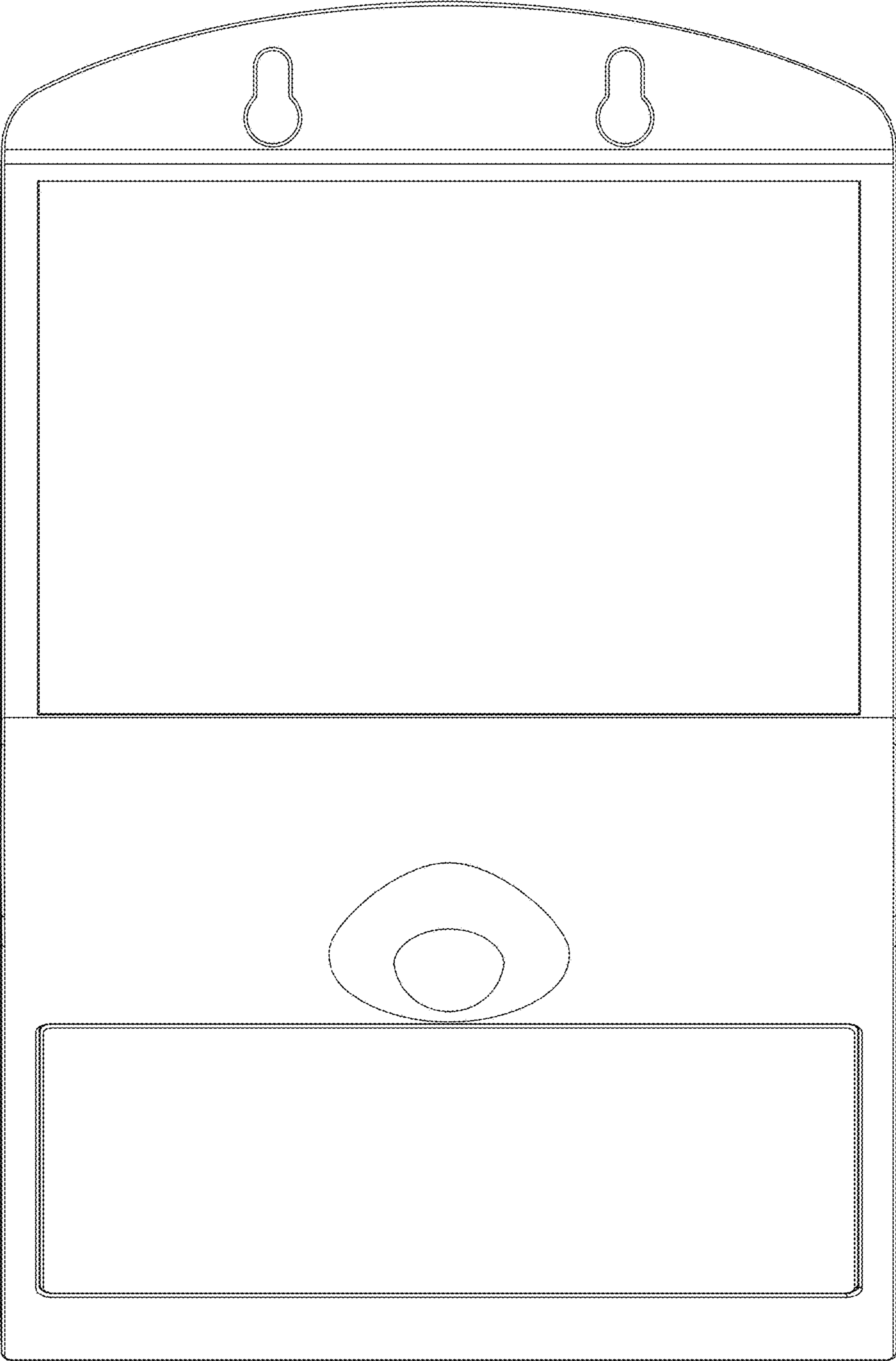


Figure 1

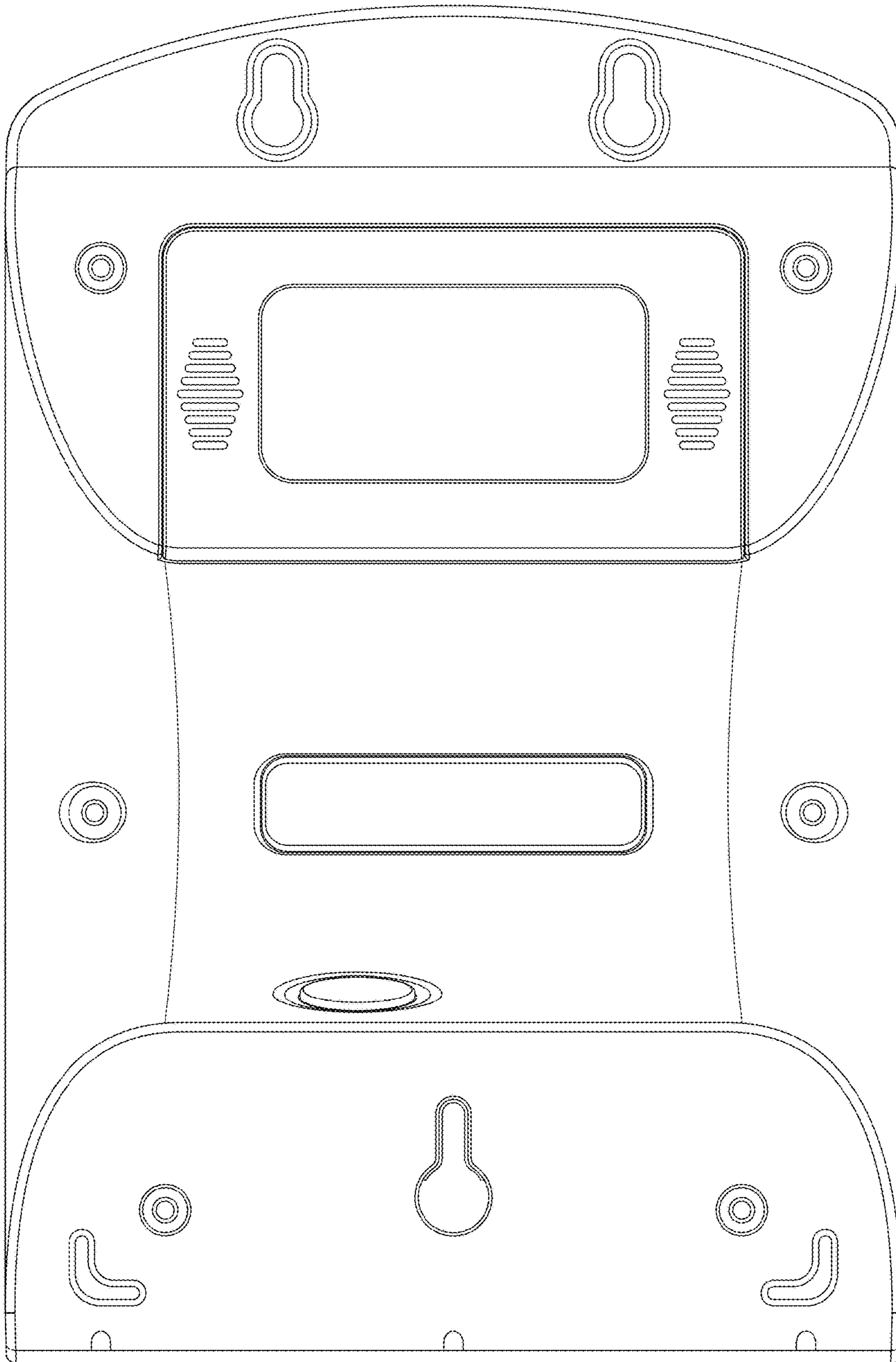


Figure 2

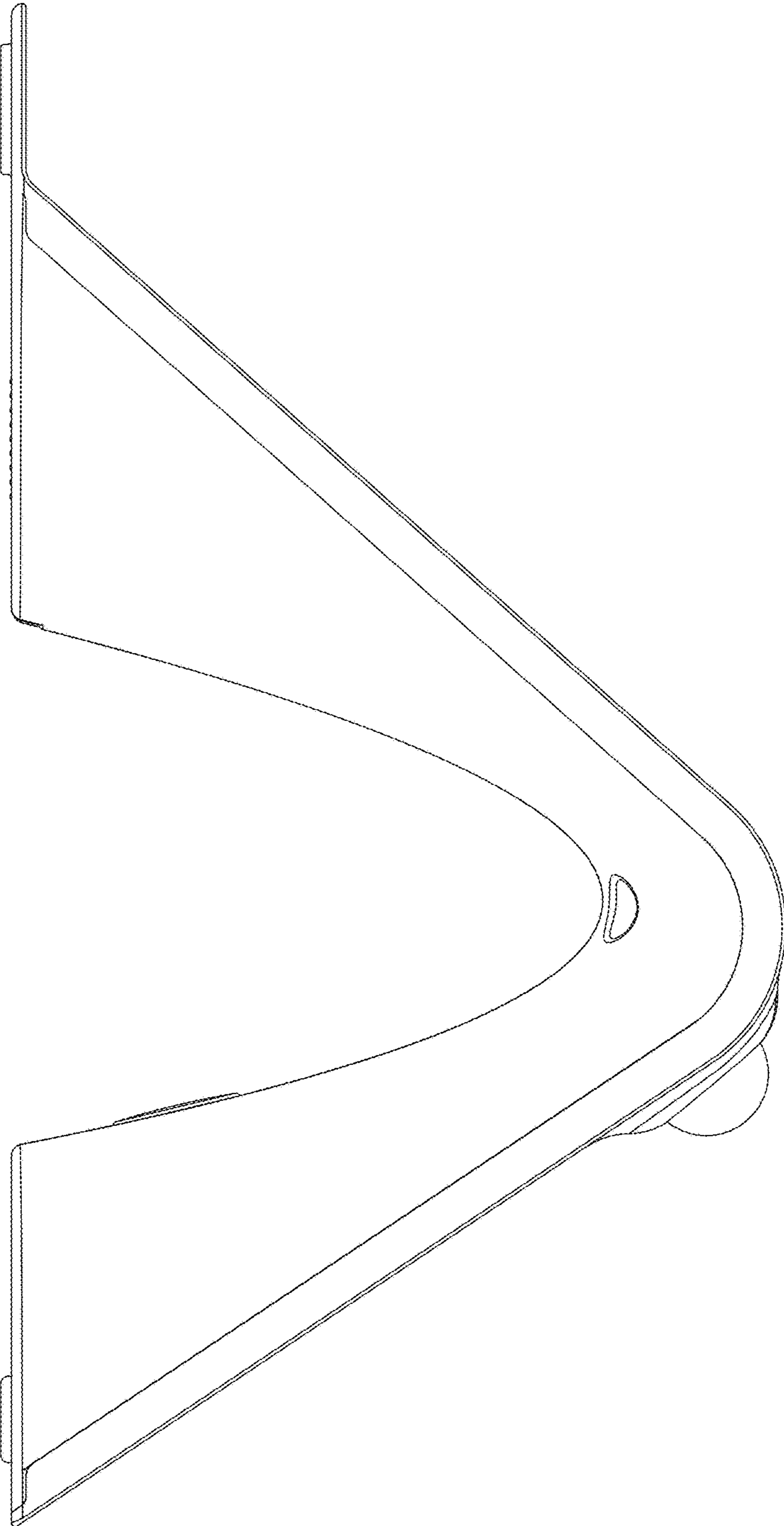


Figure 3

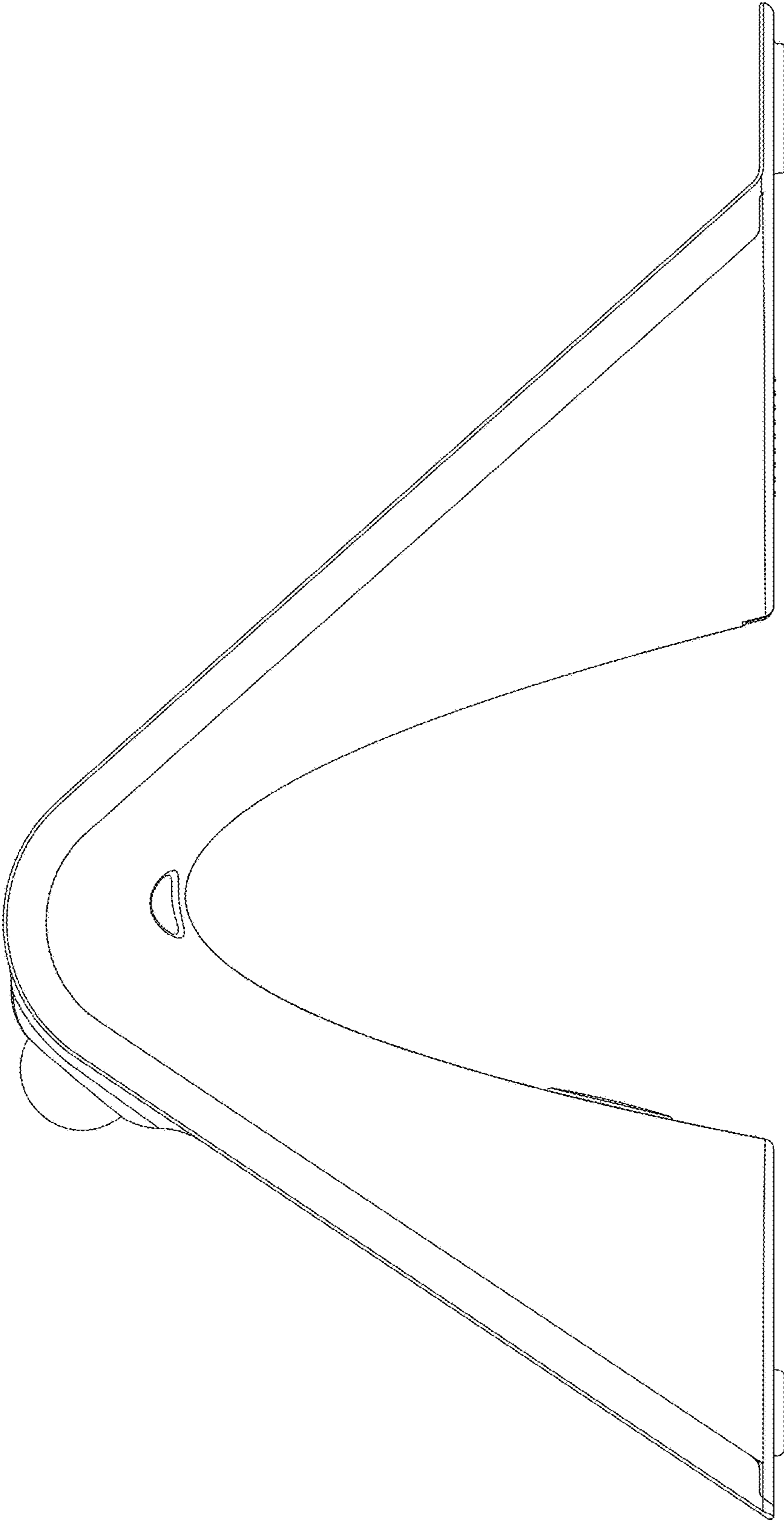


Figure 4



Figure 5

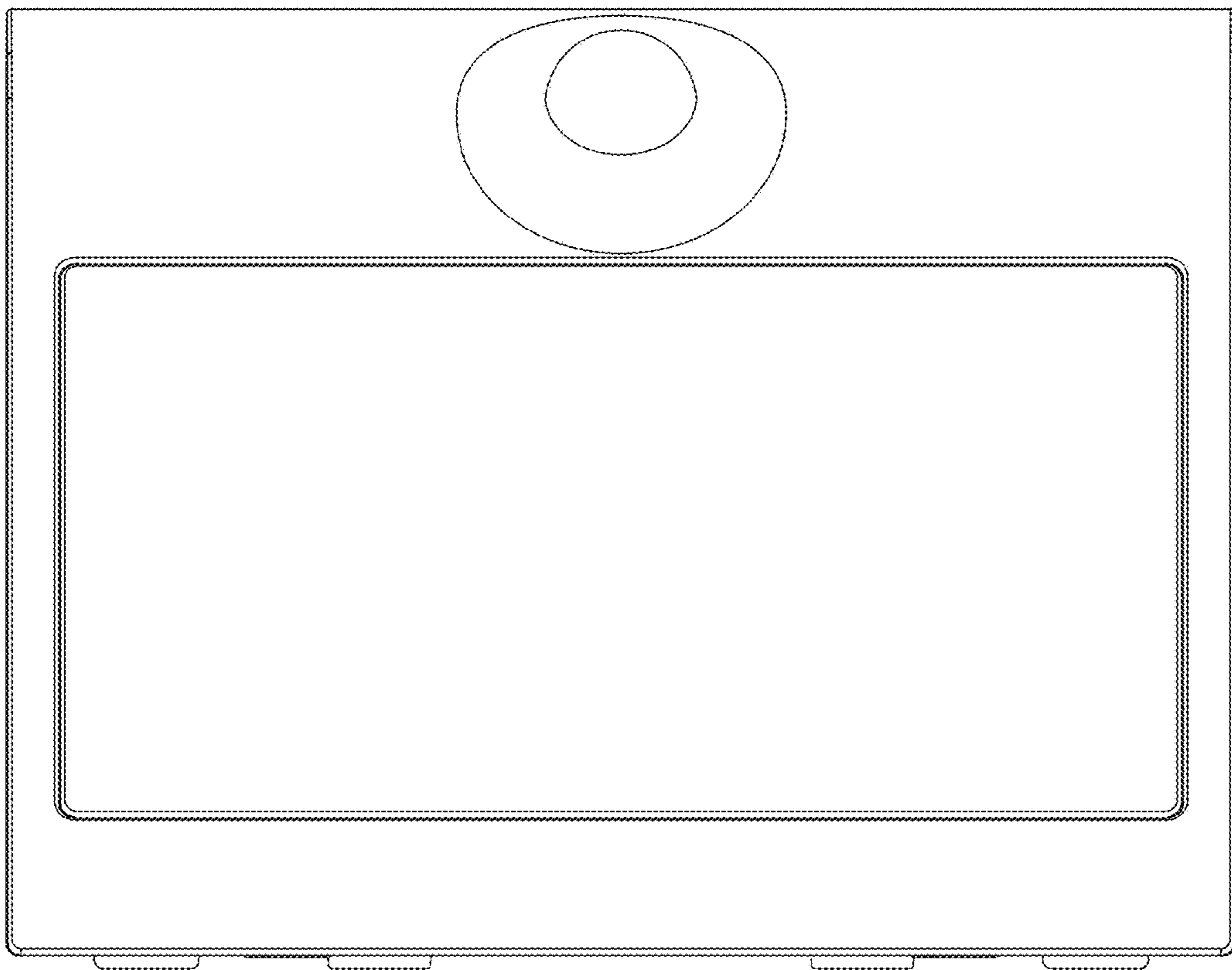


Figure 6

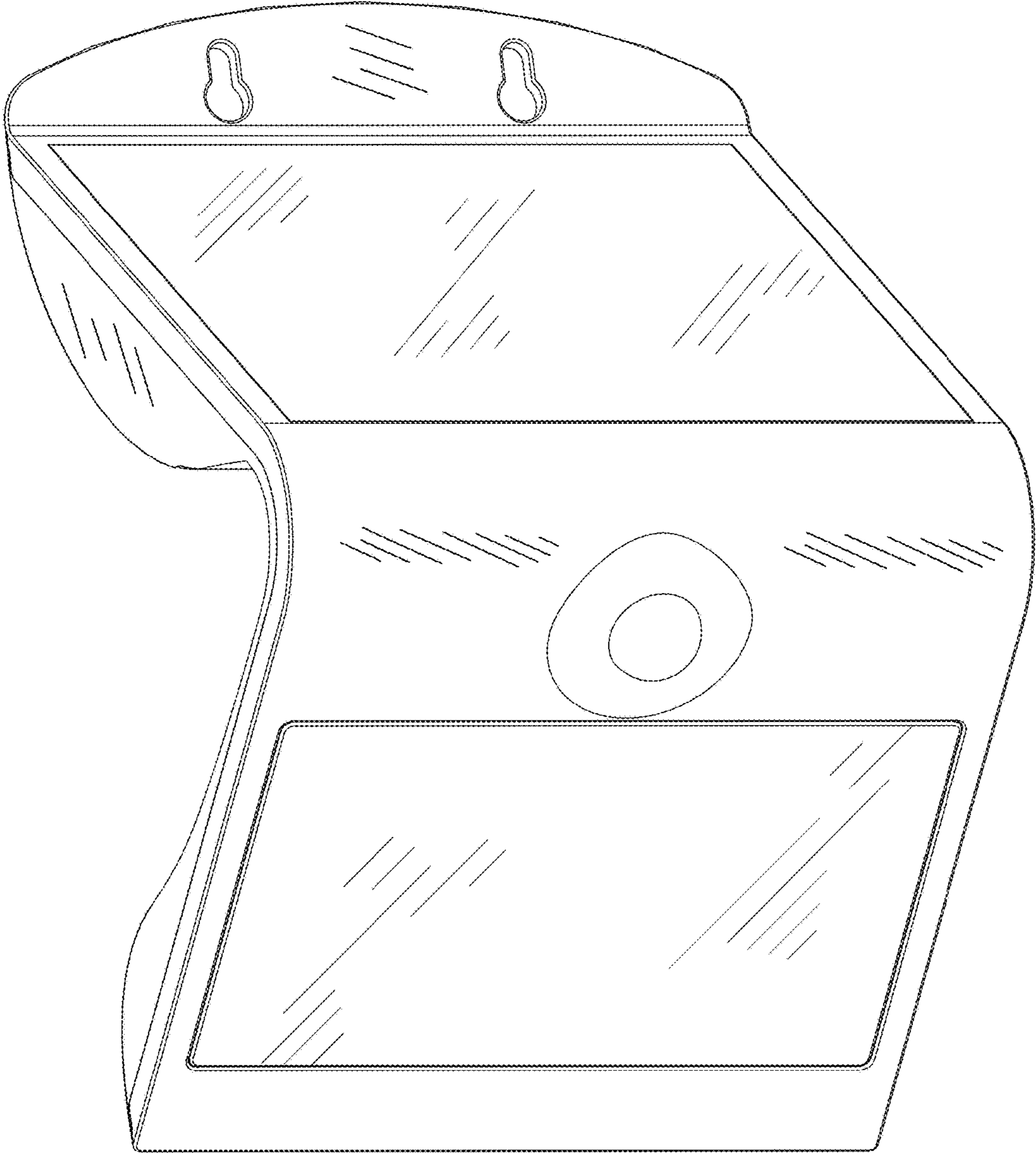


Figure 7

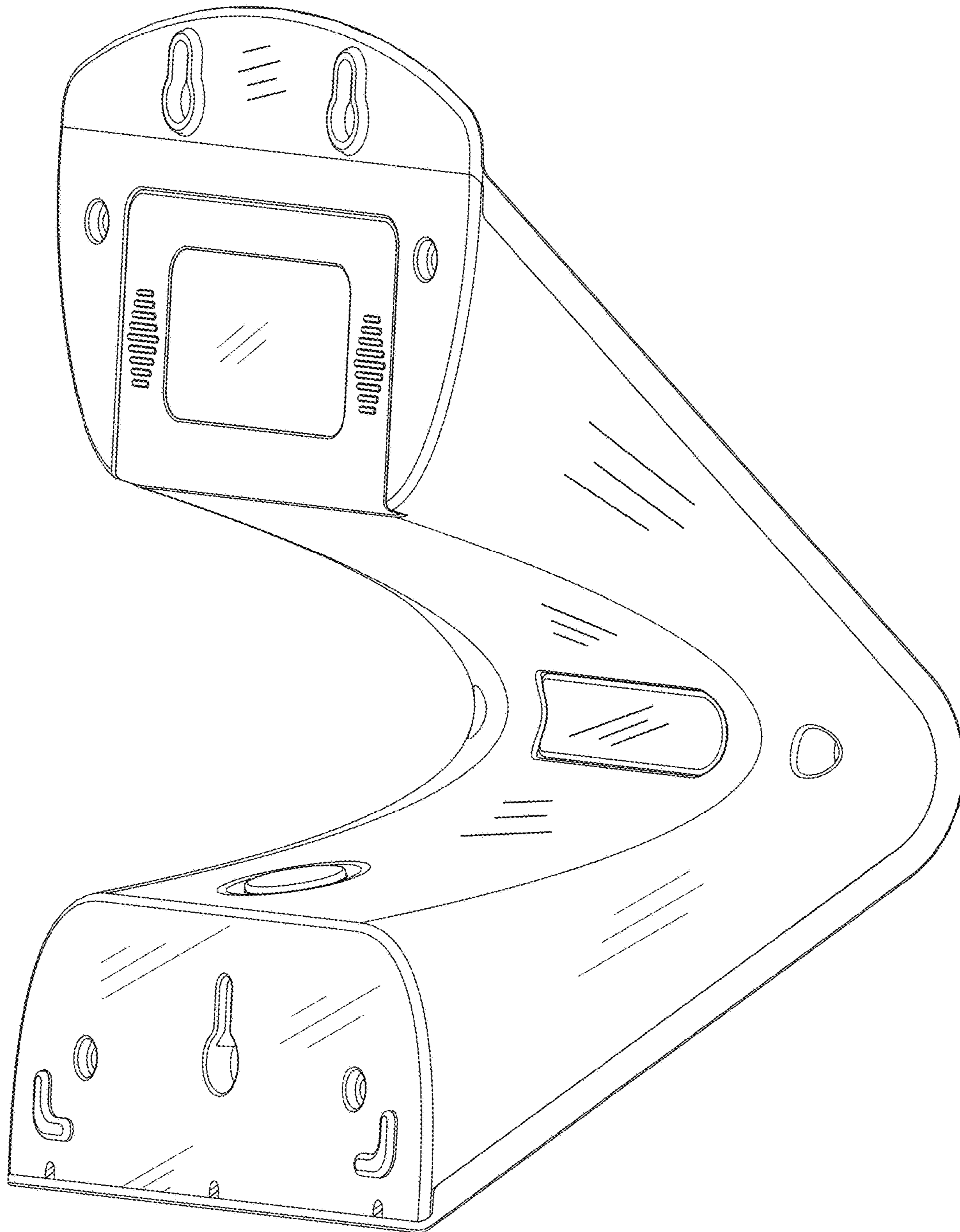


Figure 8