



US00D806305S

(12) **United States Design Patent**  
**Amato et al.**

(10) **Patent No.:** **US D806,305 S**

(45) **Date of Patent:** **\*\* Dec. 26, 2017**

(54) **LIGHTING FIXTURE**

(71) Applicant: **The Urban Electric Company**, North Charleston, SC (US)

(72) Inventors: **Michael Amato**, Johns Island, SC (US); **David Dawson**, Charleston, SC (US); **Jonathan Charpia**, Summerville, SC (US); **Christopher Roof**, Charleston, SC (US); **Joeangel Casanova**, North Charleston, SC (US); **Courteney Salisbury**, Mount Pleasant, SC (US); **Brianna Magagnoli**, North Charleston, SC (US)

(73) Assignee: **The Urban Electric Company**, North Charleston, SC (US)

(\*\*) Term: **15 Years**

(21) Appl. No.: **29/585,591**

(22) Filed: **Nov. 28, 2016**

(51) **LOC (10) Cl.** ..... **26-03**

(52) **U.S. Cl.**  
USPC ..... **D26/81**

(58) **Field of Classification Search**  
USPC ..... D26/80-91, 118, 128, 135  
CPC .... F21S 8/03; F21S 8/033; F21S 8/036; F21S 8/04; F21S 8/043; F21S 8/046; F21S 8/06; F21S 8/061; F21S 8/063; F21S 8/065; F21S 8/068  
See application file for complete search history.

(56) **References Cited**

**U.S. PATENT DOCUMENTS**

D42,580 S \* 6/1912 Hotchkin ..... D26/144  
D75,943 S \* 7/1928 Yokel ..... D26/82  
D172,688 S \* 7/1954 Ruskin ..... D26/81  
2,804,542 A \* 8/1957 Siegel ..... F21S 8/06  
362/405

3,117,730 A \* 1/1964 Jones ..... F21S 8/065  
248/344  
D228,146 S \* 8/1973 Schwartz ..... D26/82  
4,161,021 A \* 7/1979 George, Jr. .... H01K 7/06  
362/235  
D302,867 S 8/1989 Dennis et al.  
4,961,276 A 10/1990 Ling  
D348,321 S \* 6/1994 Segill ..... D26/81  
D385,374 S 10/1997 Shalvi  
D392,764 S 3/1998 Balish, Jr.  
D393,016 S 3/1998 Young  
D418,242 S \* 12/1999 Diaz-Azcuy ..... D26/84  
D438,664 S \* 3/2001 Lewis ..... D26/86

(Continued)

**OTHER PUBLICATIONS**

Mobile Chandelier from westelm.com, visited Apr. 3, 2017.\*

(Continued)

*Primary Examiner* — Clare E Heflin

(74) *Attorney, Agent, or Firm* — Jeffrey T. Stover; Haynsworth Sinkler Boyd, P.A.

(57) **CLAIM**

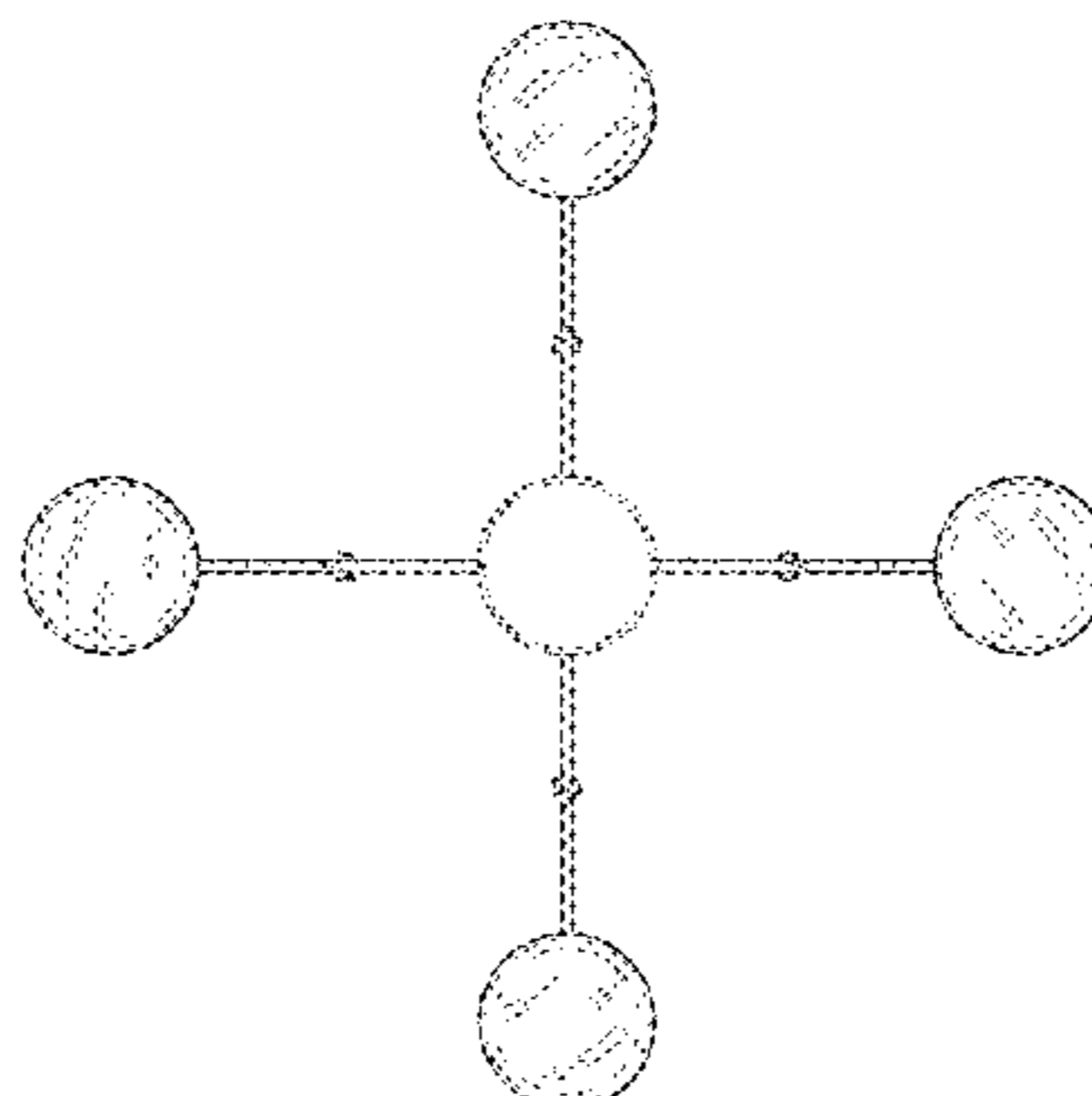
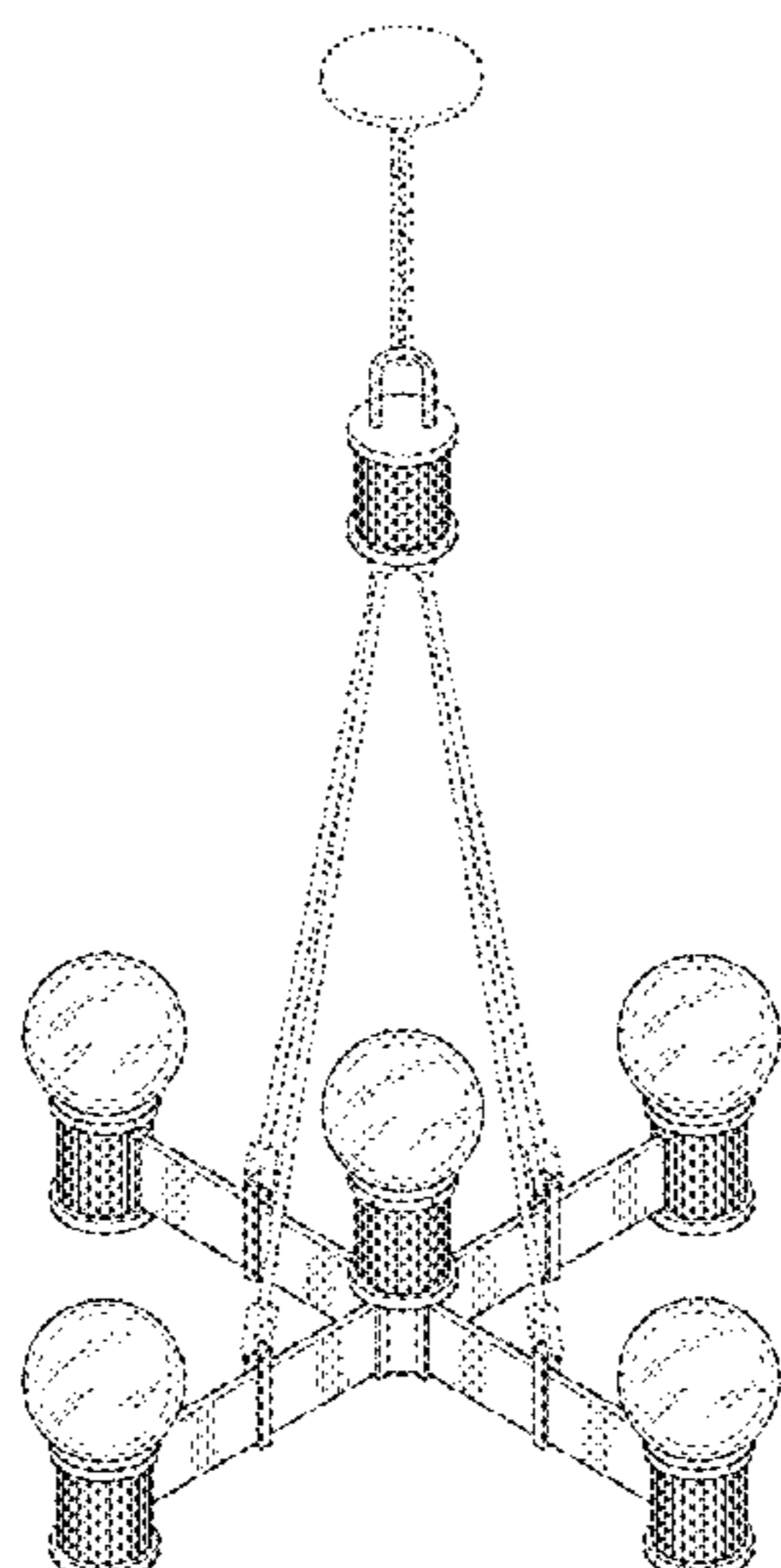
The ornamental design for a lighting fixture, as shown and described.

**DESCRIPTION**

FIG. 1 is a top perspective view of a lighting fixture depicting the new design;  
FIG. 2 is a front elevational view thereof;  
FIG. 3 is a rear elevational view thereof;  
FIG. 4 is a right elevational view thereof;  
FIG. 5 is a left elevational view thereof;  
FIG. 6 is a top plan view thereof;  
FIG. 7 is a bottom plan view thereof; and,  
FIG. 8 is a bottom perspective view thereof.

The broken lines shown on the drawings are understood to represent environmental structure that is not considered part of the claimed design.

**1 Claim, 8 Drawing Sheets**



(56)

**References Cited**

U.S. PATENT DOCUMENTS

D470,967	S	*	2/2003	Rose	.....	D26/81
D480,497	S		10/2003	Lau Ting Yup		
D520,668	S	*	5/2006	Brunner	.....	D26/81
D539,960	S	*	4/2007	Hsu	.....	D26/81
D590,097	S		4/2009	Tam		
D607,136	S	*	12/2009	Chen	.....	D26/81
D670,424	S		11/2012	Lee		
D685,123	S	*	6/2013	Dolan	.....	D26/81
D711,578	S	*	8/2014	Naddeo	.....	D26/81
D719,698	S	*	12/2014	Mollaghaffari	.....	D26/81
D757,988	S		5/2016	Chang		
D760,938	S	*	7/2016	Dixon	.....	D26/81
D786,479	S	*	5/2017	Dolan	.....	D26/81
D786,480	S	*	5/2017	Dolan	.....	D26/81
D793,605	S	*	8/2017	Cartwright	.....	D26/81
2006/0198151	A1	*	9/2006	Lin	.....	F21S 8/065 362/382

OTHER PUBLICATIONS

Blown Glass Chandelier-Asymmetrical from westelm.com, visited Apr. 3, 2017.\*

Large "Monolith" Italian Modern Brass Chandelier with Adjustable Sconces by REFINE Limited. Found at 1stdibs.com / visited Apr. 3, 2017. (2 pages).\*

\* cited by examiner

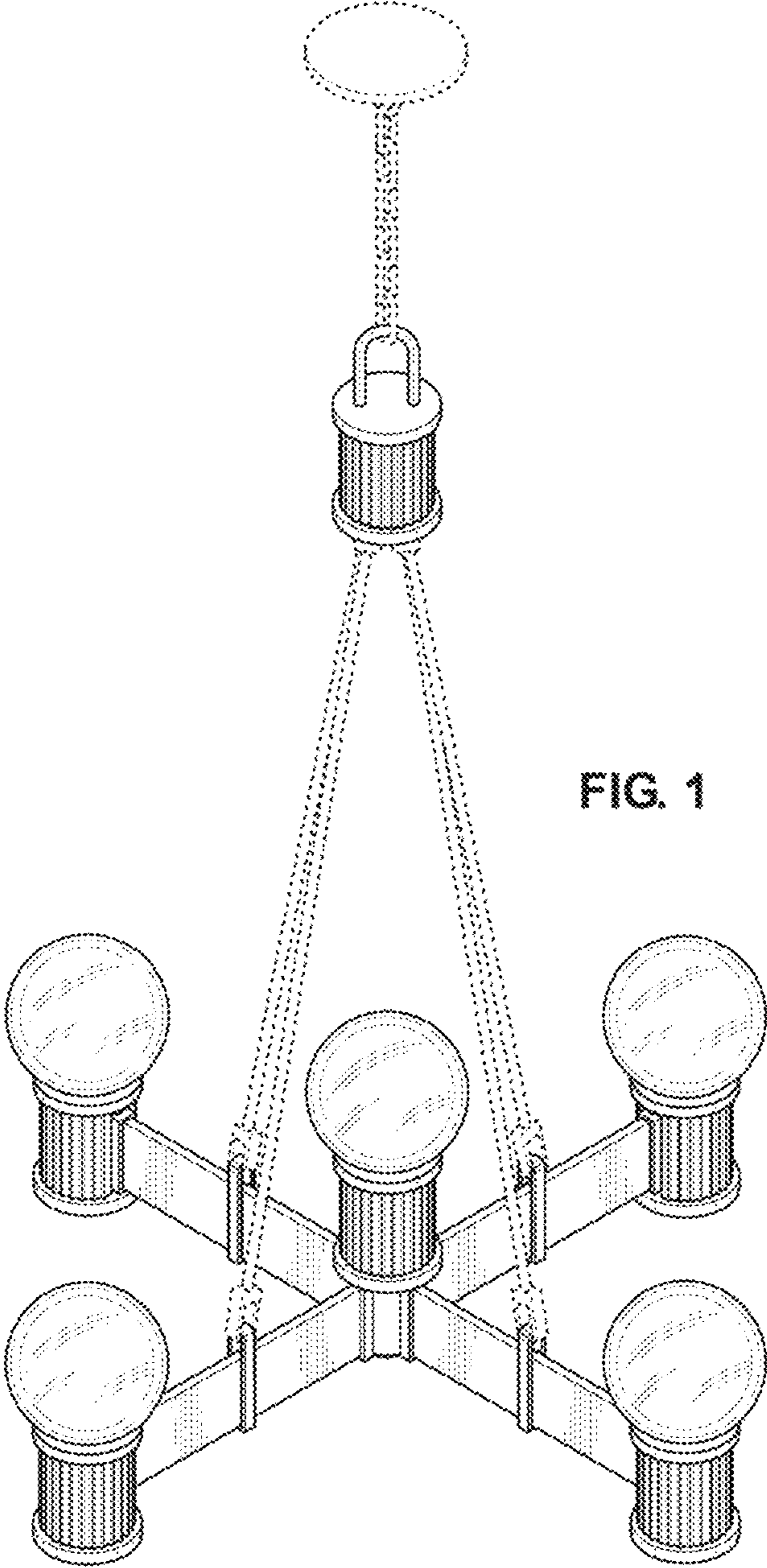
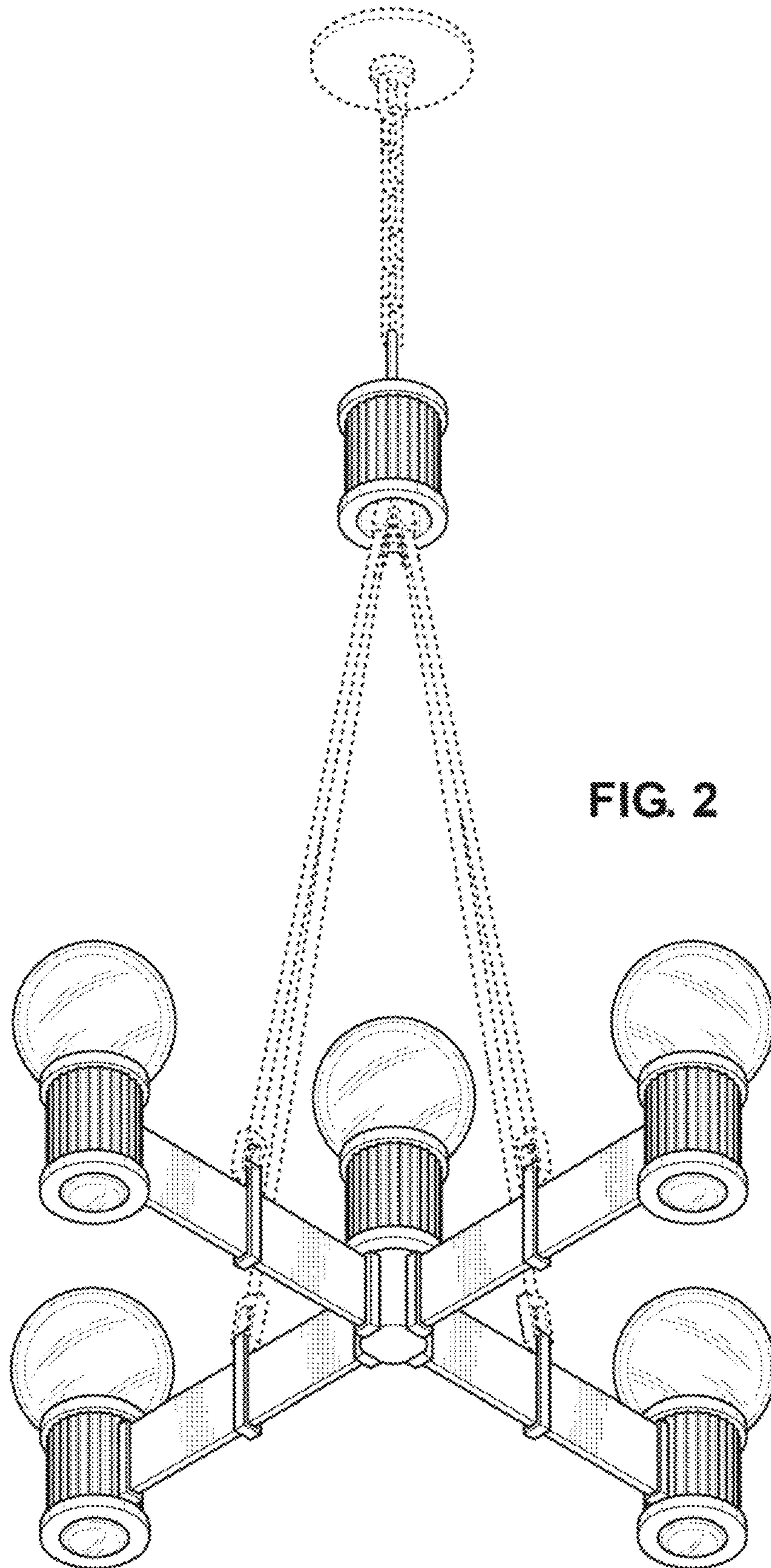


FIG. 1



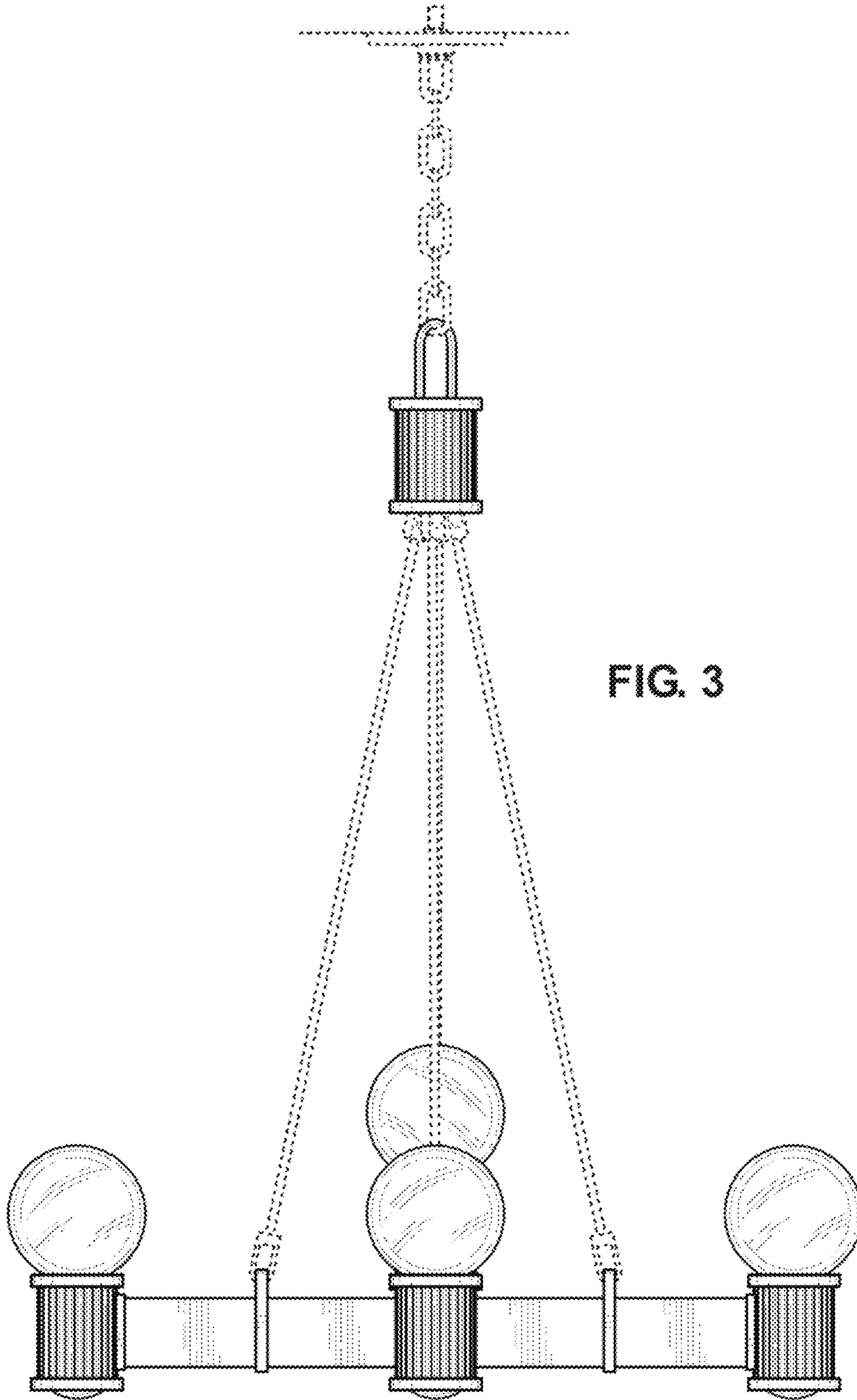


FIG. 3

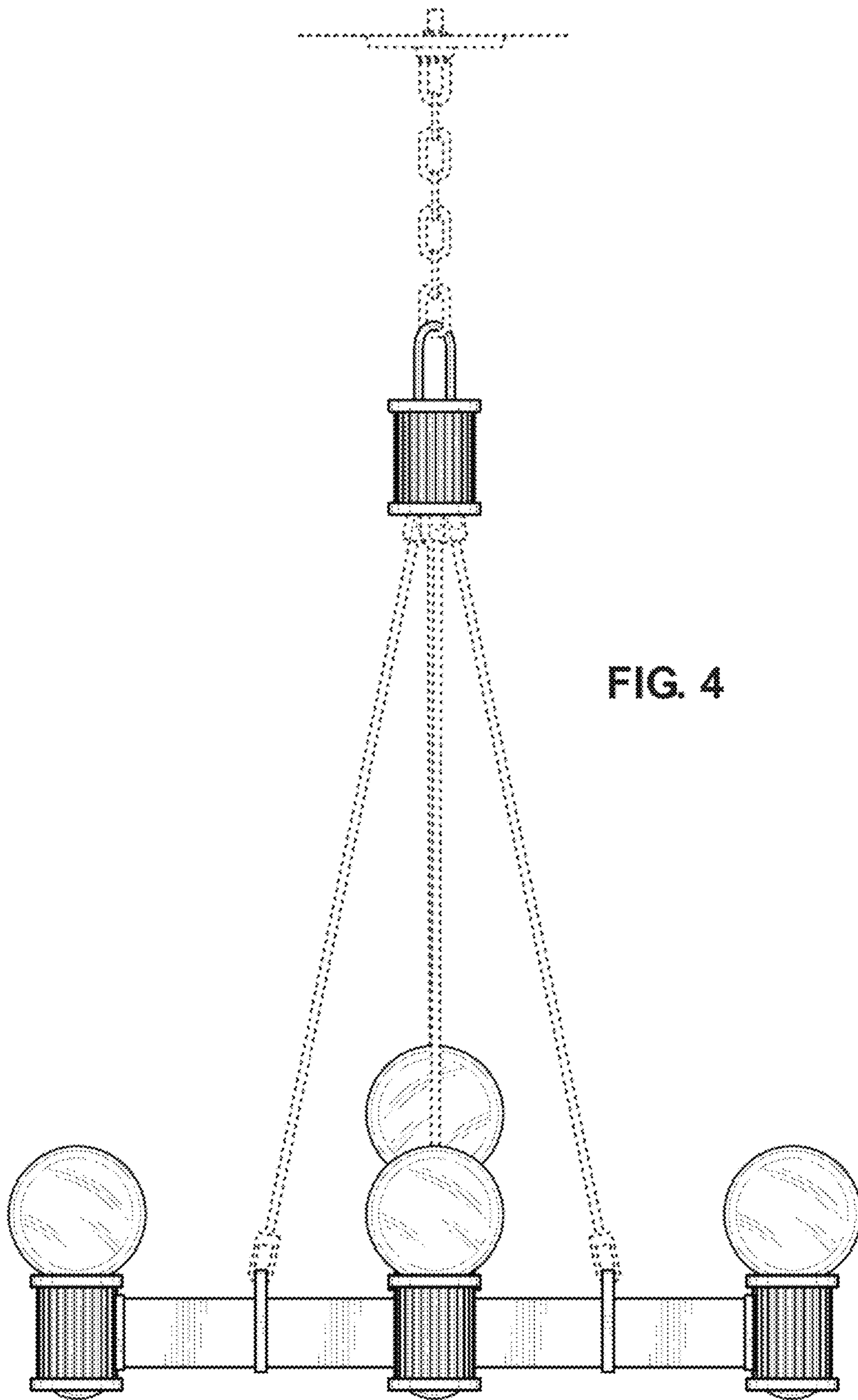


FIG. 4

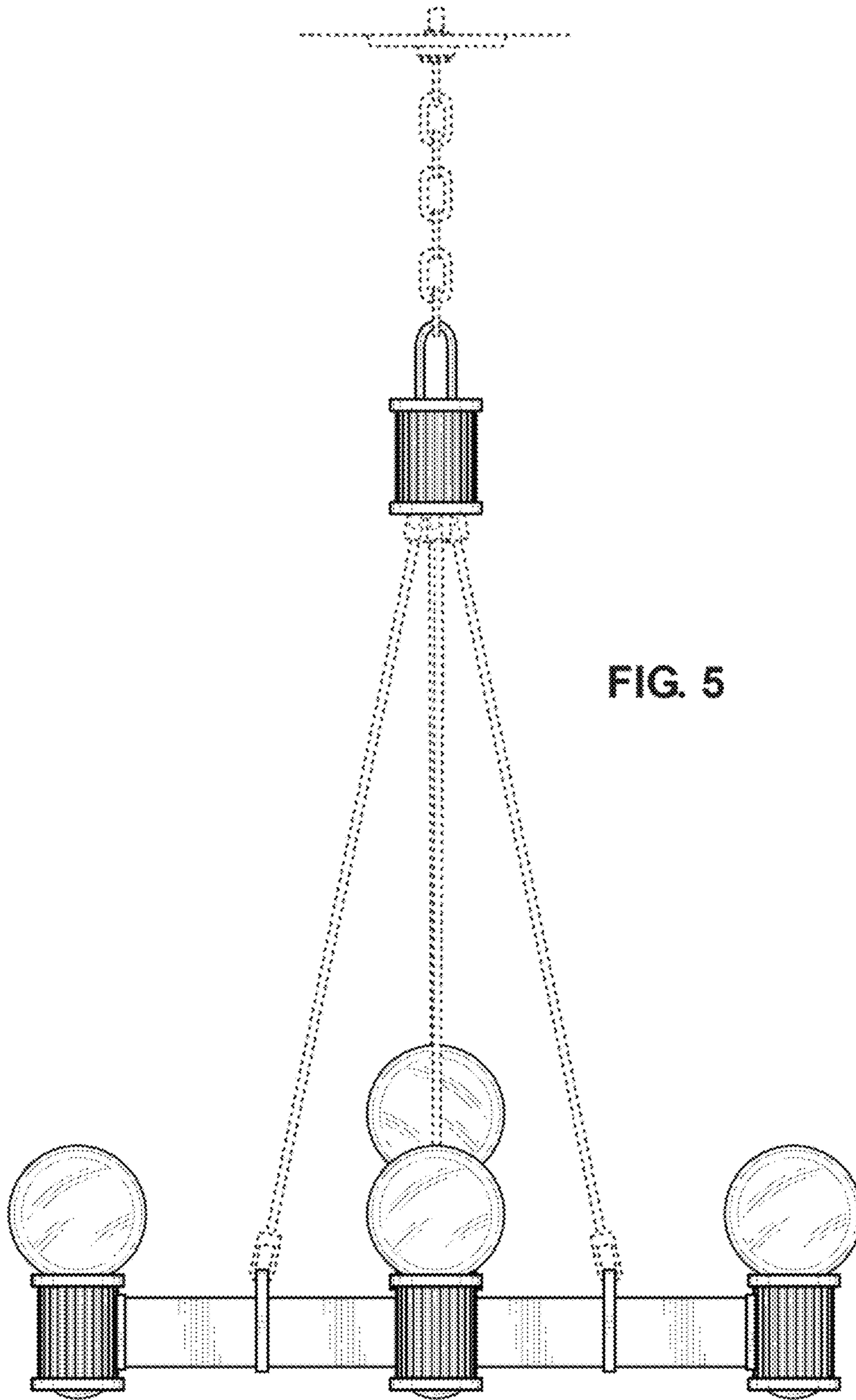


FIG. 5

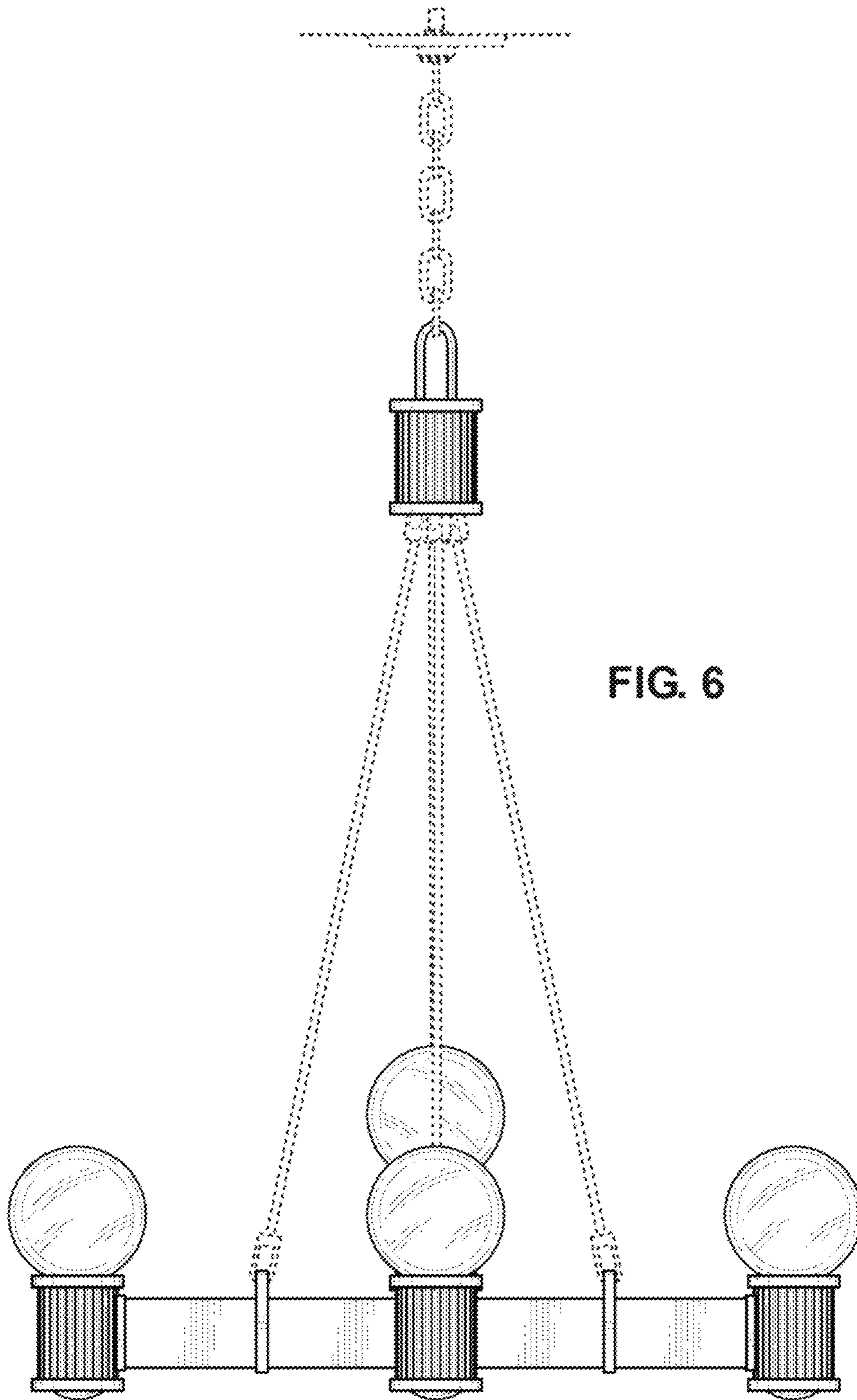


FIG. 6



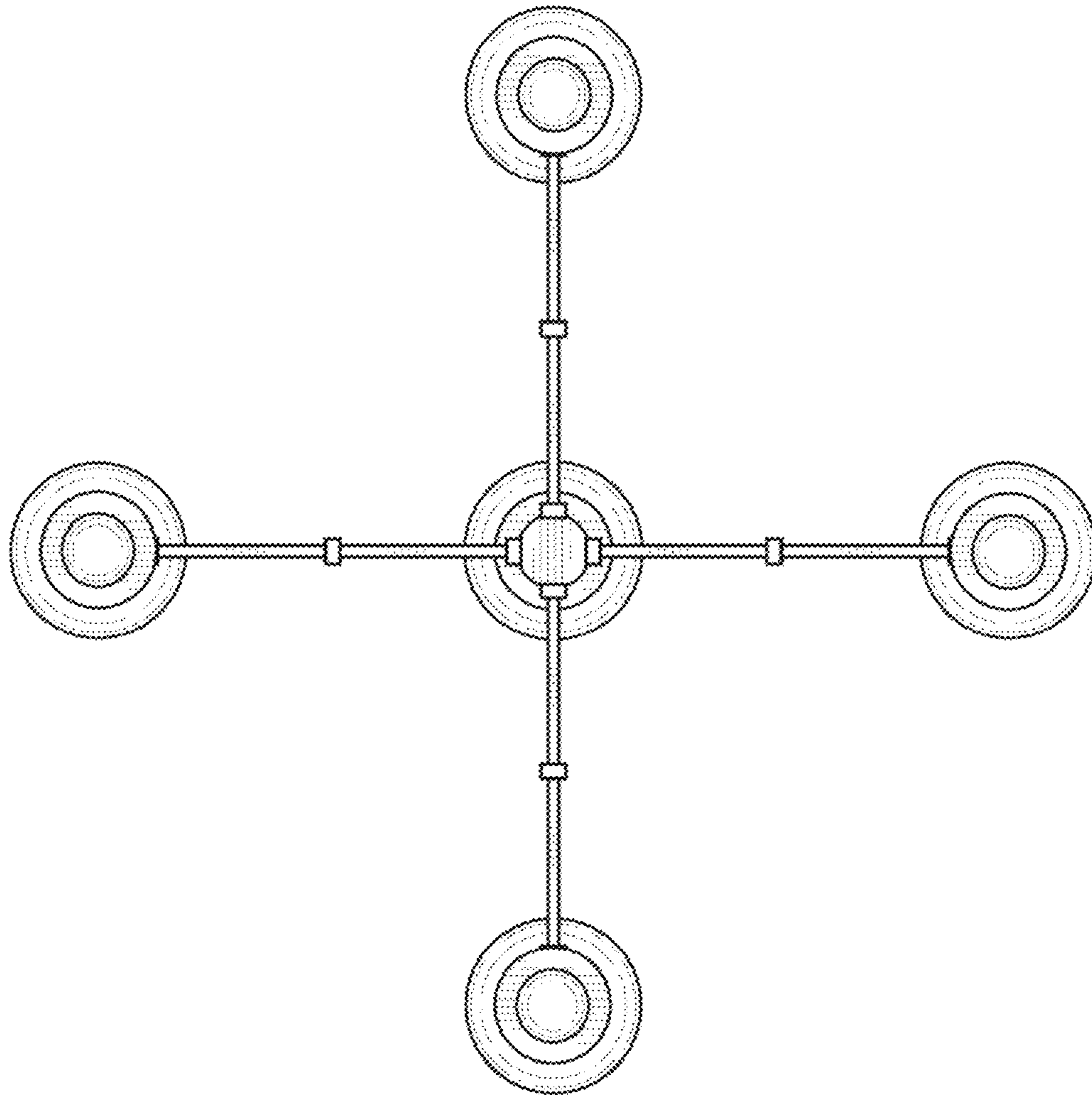


FIG. 7

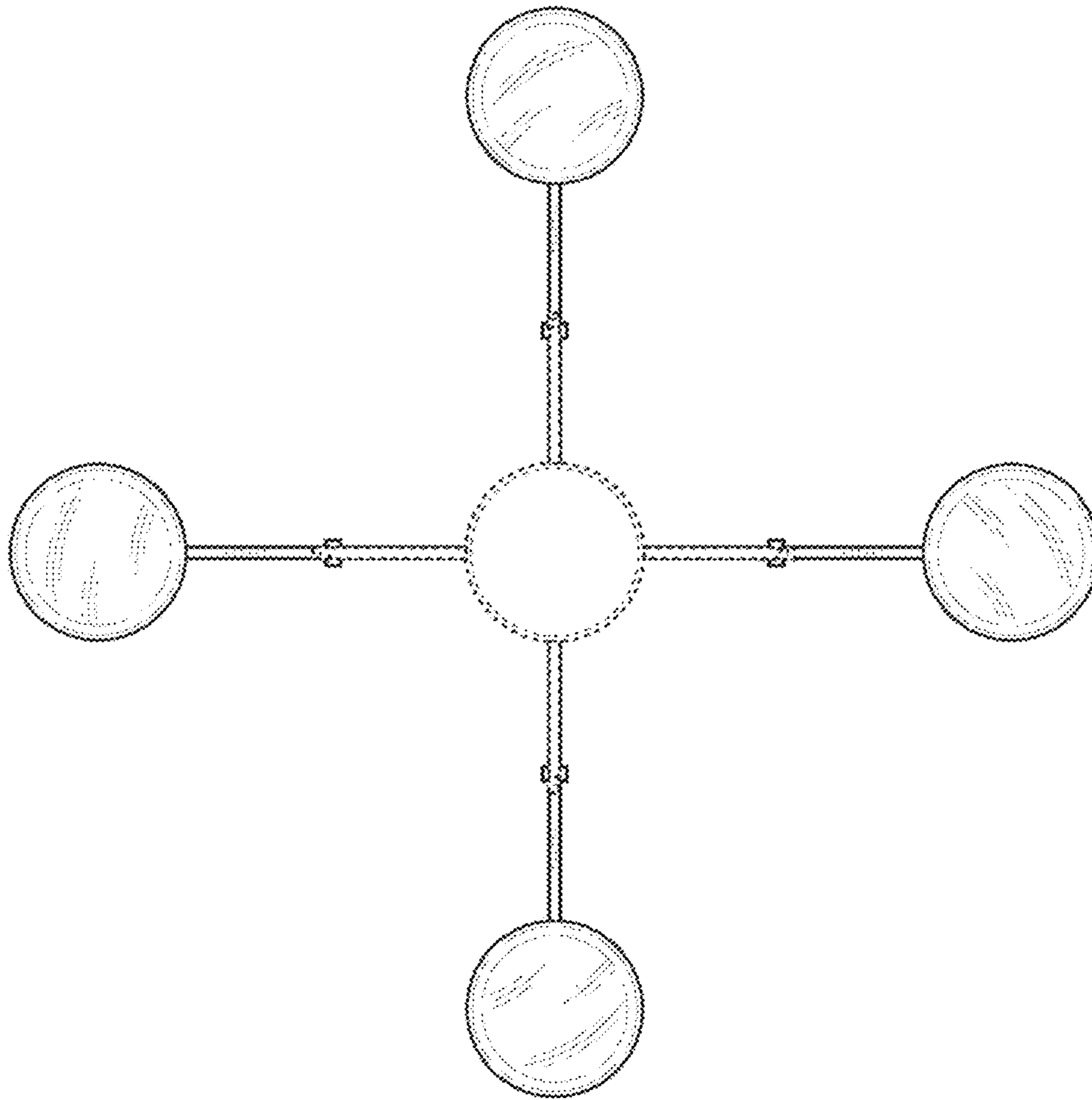


FIG. 8