



US00D806304S

(12) **United States Design Patent**  
**Amato et al.**

(10) **Patent No.:** **US D806,304 S**

(45) **Date of Patent:** **\*\* Dec. 26, 2017**

(54) **LIGHTING FIXTURE**

(71) Applicant: **The Urban Electric Company**, North Charleston, SC (US)

(72) Inventors: **Michael Amato**, Johns Island, SC (US); **David Dawson**, Charleston, SC (US); **Jonathan Charpia**, Summerville, SC (US); **Christopher Roof**, Charleston, SC (US); **Joeangel Casanova**, North Charleston, SC (US); **Courteney Salisbury**, Mount Pleasant, SC (US); **Brianna Magagnoli**, Charleston, SC (US)

(73) Assignee: **The Urban Electric Company**, North Charleston, SC (US)

(\*\*) Term: **15 Years**

(21) Appl. No.: **29/583,931**

(22) Filed: **Nov. 10, 2016**

(51) **LOC (10) Cl.** ..... **26-03**

(52) **U.S. Cl.**  
USPC ..... **D26/81**

(58) **Field of Classification Search**  
USPC ..... D26/80-91, 118, 128, 135  
CPC .... F21S 8/03; F21S 8/033; F21S 8/036; F21S 8/04; F21S 8/043; F21S 8/046; F21S 8/06; F21S 8/061; F21S 8/063; F21S 8/065; F21S 8/068  
See application file for complete search history.

(56) **References Cited**

**U.S. PATENT DOCUMENTS**

D23,560 S \* 8/1894 Dixon ..... D26/128  
D39,323 S \* 5/1908 Phelps ..... D26/128  
1,087,574 A \* 2/1914 Dawes ..... G09F 13/04  
40/572  
D46,952 S \* 2/1915 Long ..... D26/128

2,804,542 A \* 8/1957 Siegel ..... F21S 8/06  
362/405  
3,117,730 A \* 1/1964 Jones ..... F21S 8/065  
248/344  
D228,146 S \* 8/1973 Schwartz ..... D26/82  
4,161,021 A \* 7/1979 George, Jr. .... H01K 7/06  
362/235  
D323,904 S \* 2/1992 Camino ..... D26/128  
D373,002 S \* 8/1996 Porter ..... D26/144  
D391,007 S \* 2/1998 Hergert ..... D26/104  
D418,242 S \* 12/1999 Diaz-Azcuy ..... D26/84  
D438,664 S \* 3/2001 Lewis ..... D26/86  
D541,970 S \* 5/2007 Blackman ..... D26/81

(Continued)

**OTHER PUBLICATIONS**

Mobile Chandelier from westelm.com, visited Apr. 3, 2017.\*

(Continued)

*Primary Examiner* — Clare E Heflin

(74) *Attorney, Agent, or Firm* — Jeffrey T. Stover;  
Haynesworth Sinkler Boyd, P.A.

(57) **CLAIM**

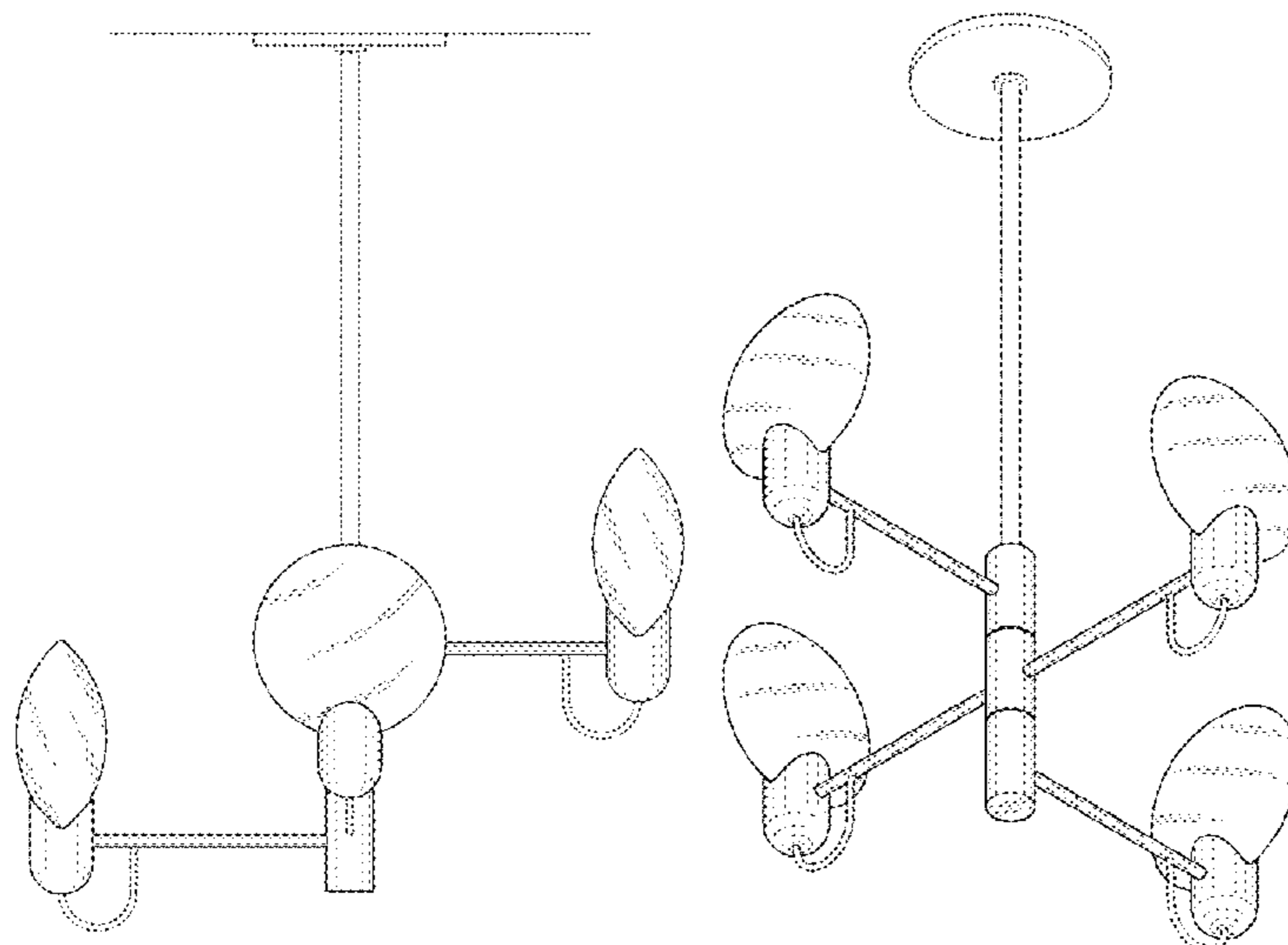
The ornamental design for a lighting fixture, as shown and described.

**DESCRIPTION**

FIG. 1 is a top perspective view of a lighting fixture depicting the new design;  
FIG. 2 is a front elevational view thereof;  
FIG. 3 is a rear elevational view thereof;  
FIG. 4 is a right elevational view thereof;  
FIG. 5 is a left elevational view thereof;  
FIG. 6 is a top plan view thereof;  
FIG. 7 is a bottom plan view thereof; and,  
FIG. 8 is a bottom perspective view thereof.

The broken lines shown on the drawings are understood to represent environmental structure that is not considered part of the claimed design.

**1 Claim, 8 Drawing Sheets**



(56)

**References Cited**

U.S. PATENT DOCUMENTS

D607,136 S *	12/2009	Chen	.....	D26/81
D719,698 S *	12/2014	Mollaghaffari	.....	D26/81
D760,938 S *	7/2016	Dixon	.....	D26/81
D786,479 S *	5/2017	Dolan	.....	D26/81
D786,480 S *	5/2017	Dolan	.....	D26/81
D793,605 S *	8/2017	Cartwright	.....	D26/81
2003/0193810 A1 *	10/2003	Patz	.....	F21S 8/06 362/387

OTHER PUBLICATIONS

Blown Glass Chandelier—Asymmetrical from westelm.com, visited Apr. 3, 2017.\*

Large “Monolith” Italian Modern Brass Chandelier with Adjustable Sconces by Refine Limited. Found at 1stdibs.com / visited Apr. 3, 2017. (2 pages).\*

\* cited by examiner

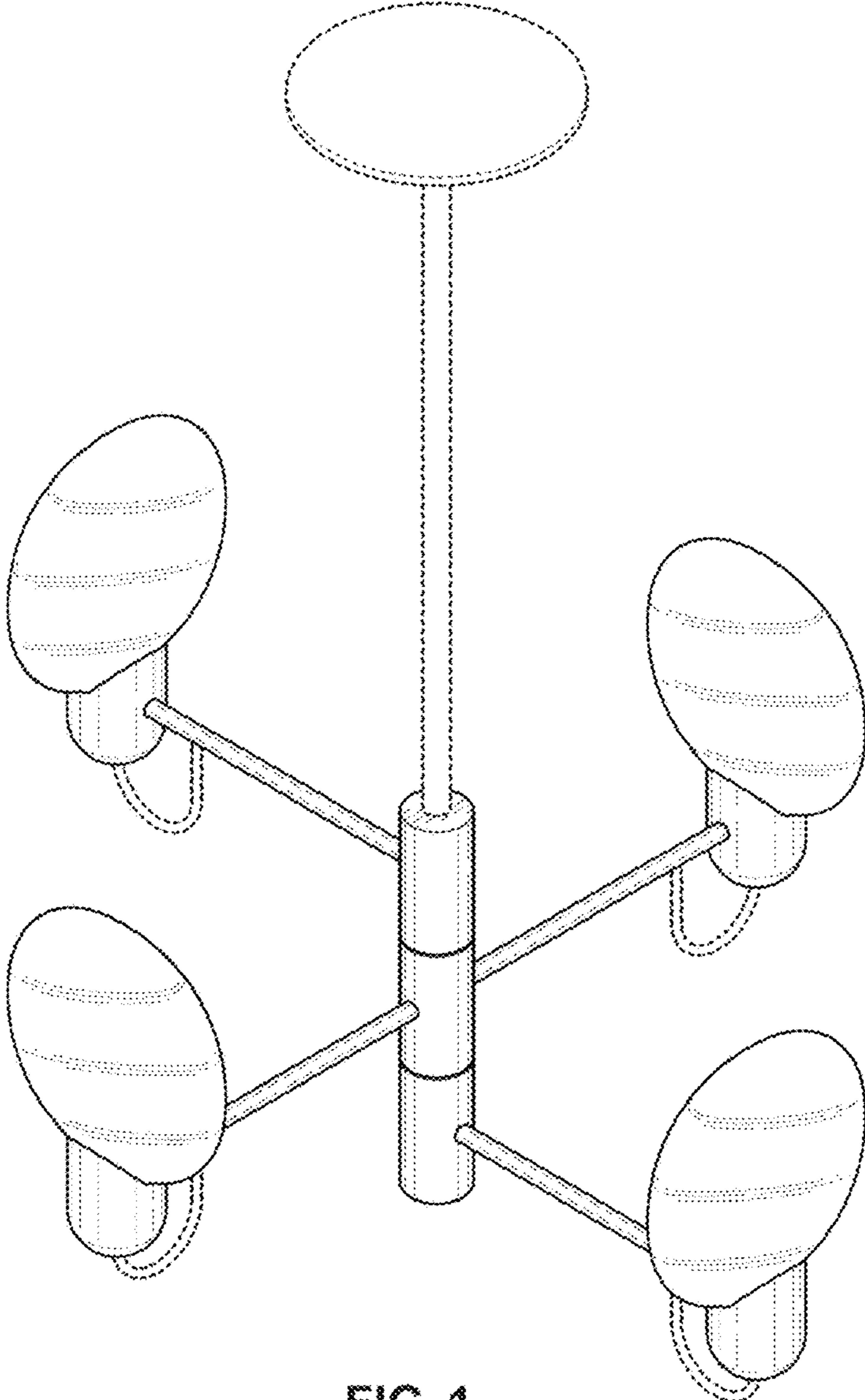


FIG. 1

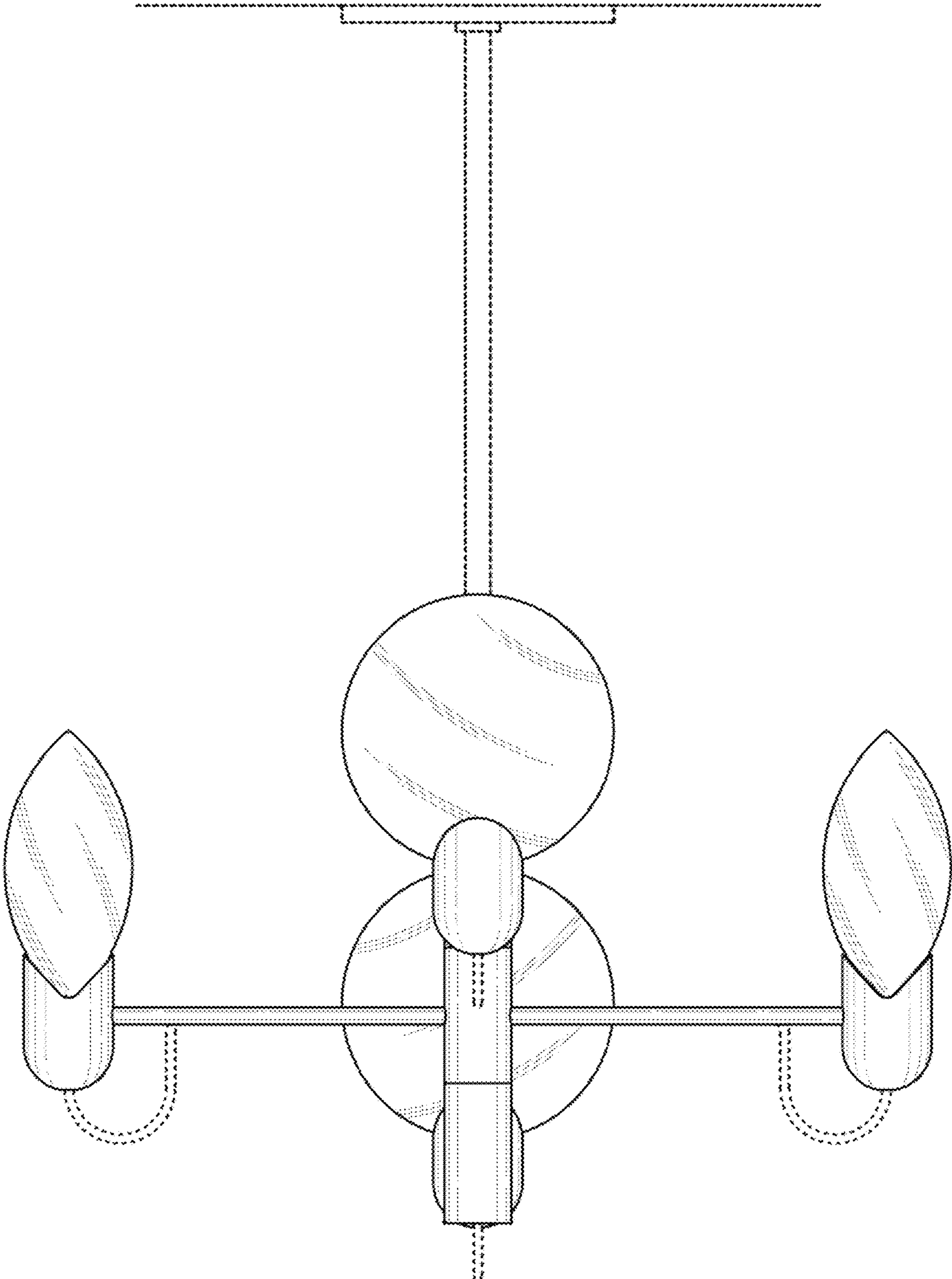


FIG. 2

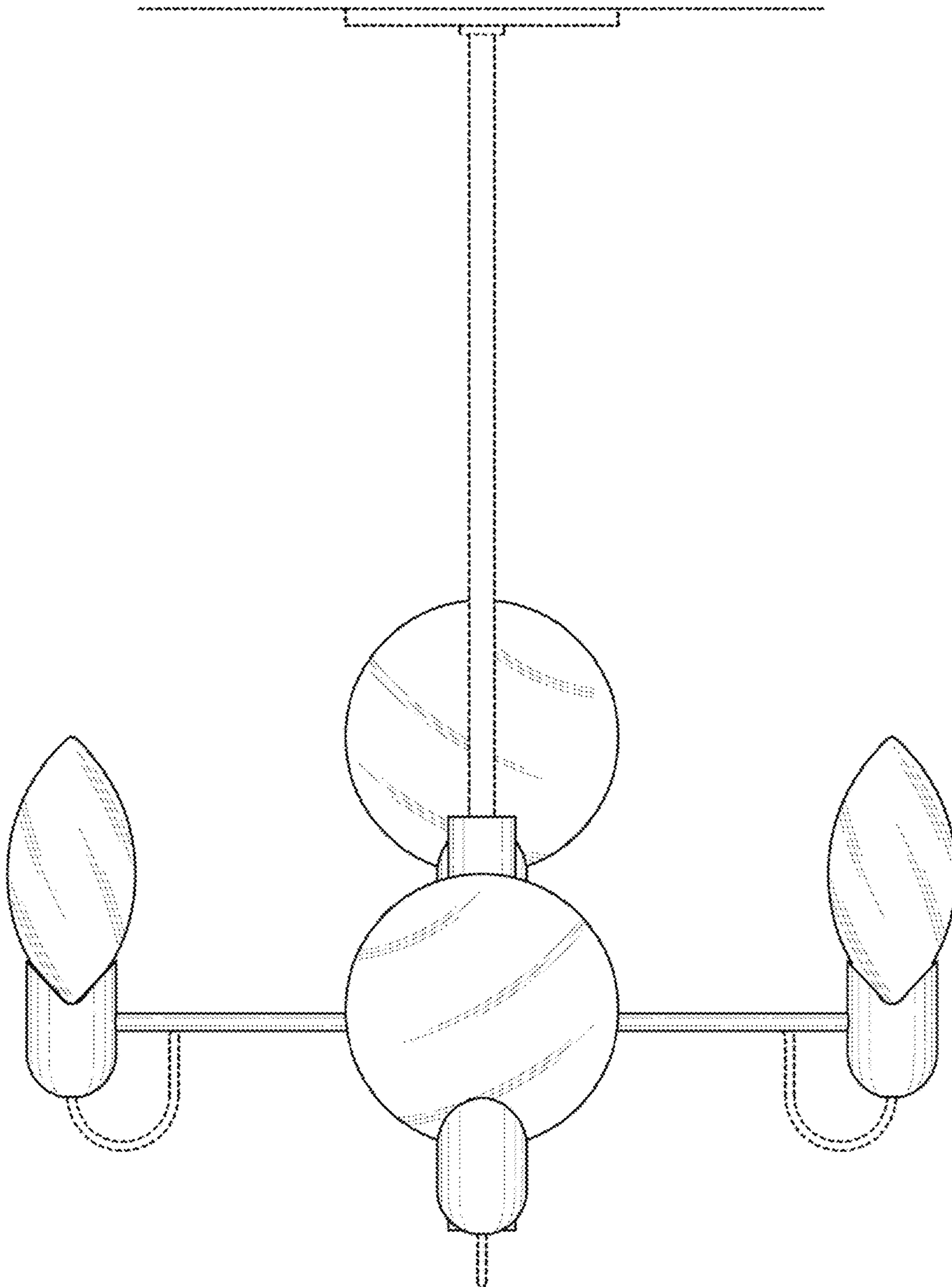


FIG. 3



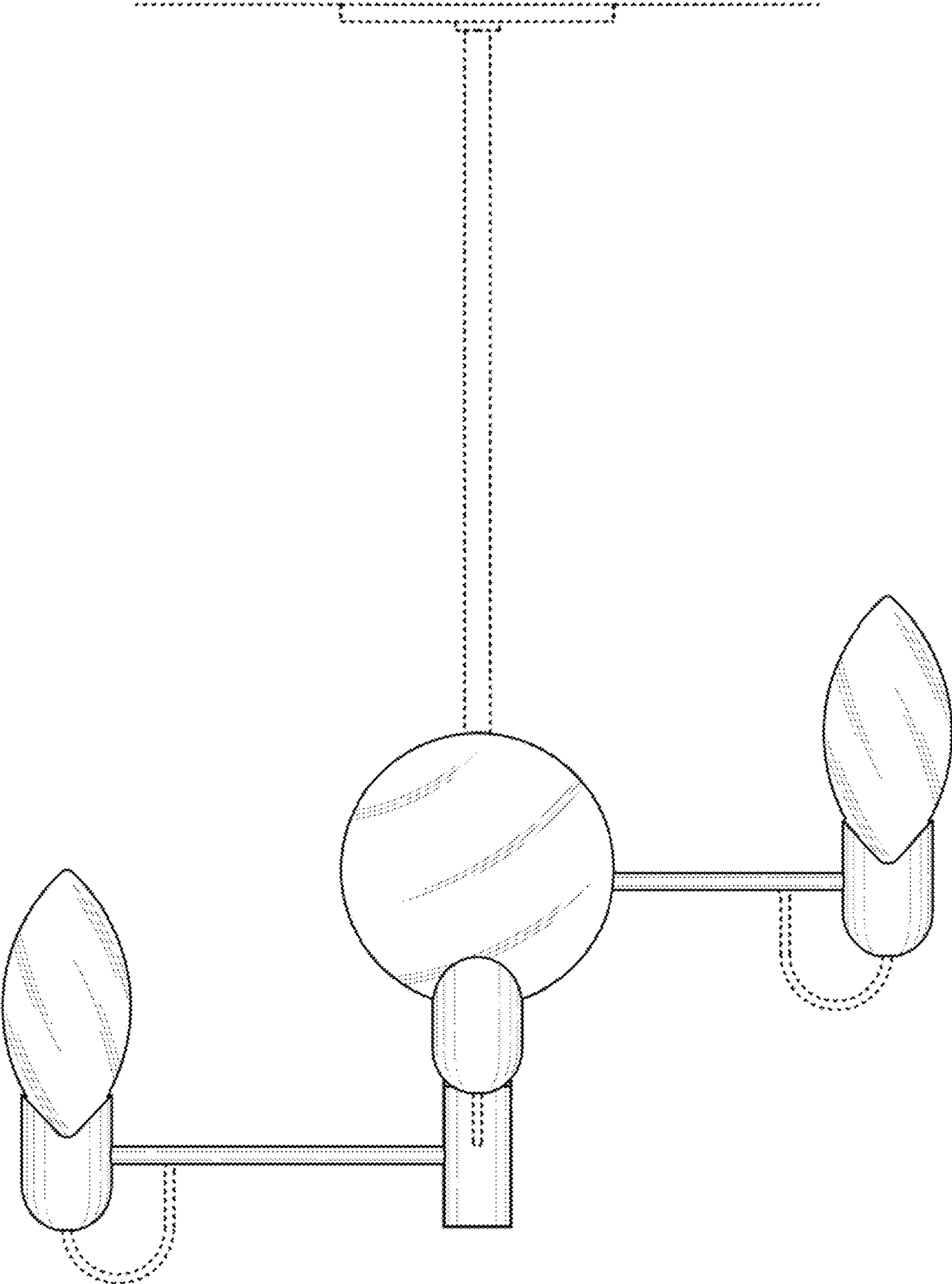


FIG. 4

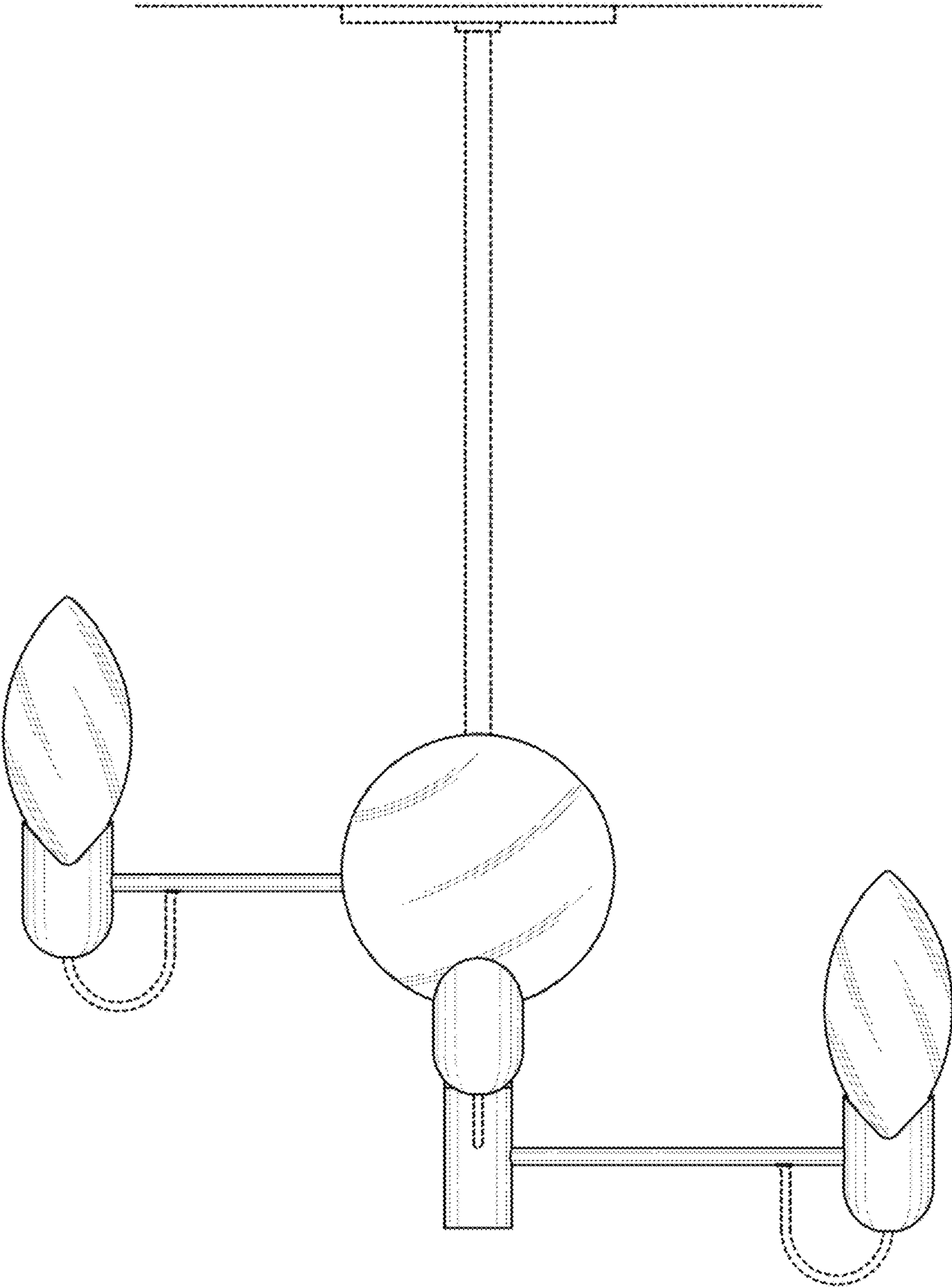


FIG. 5

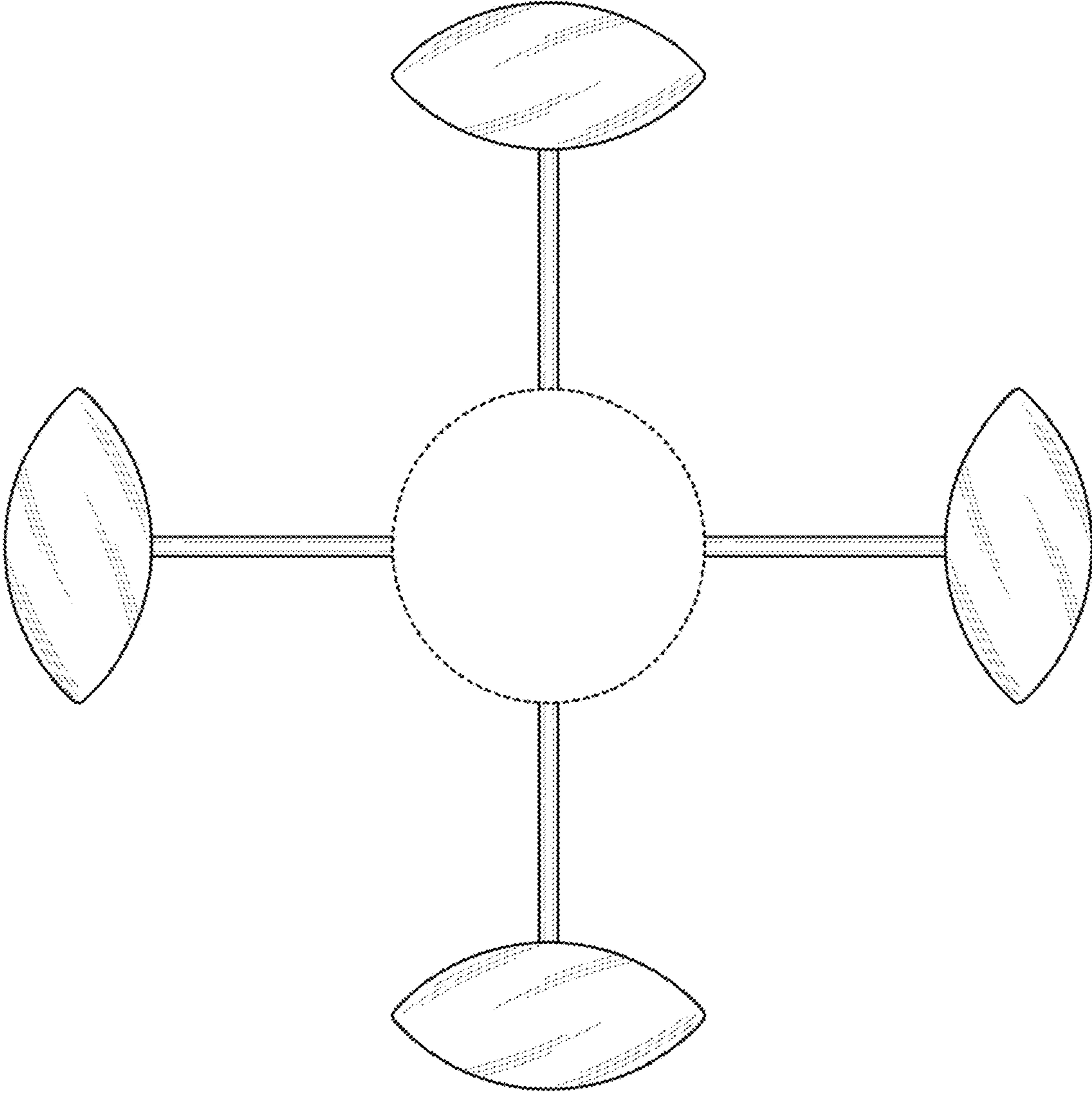


FIG. 6



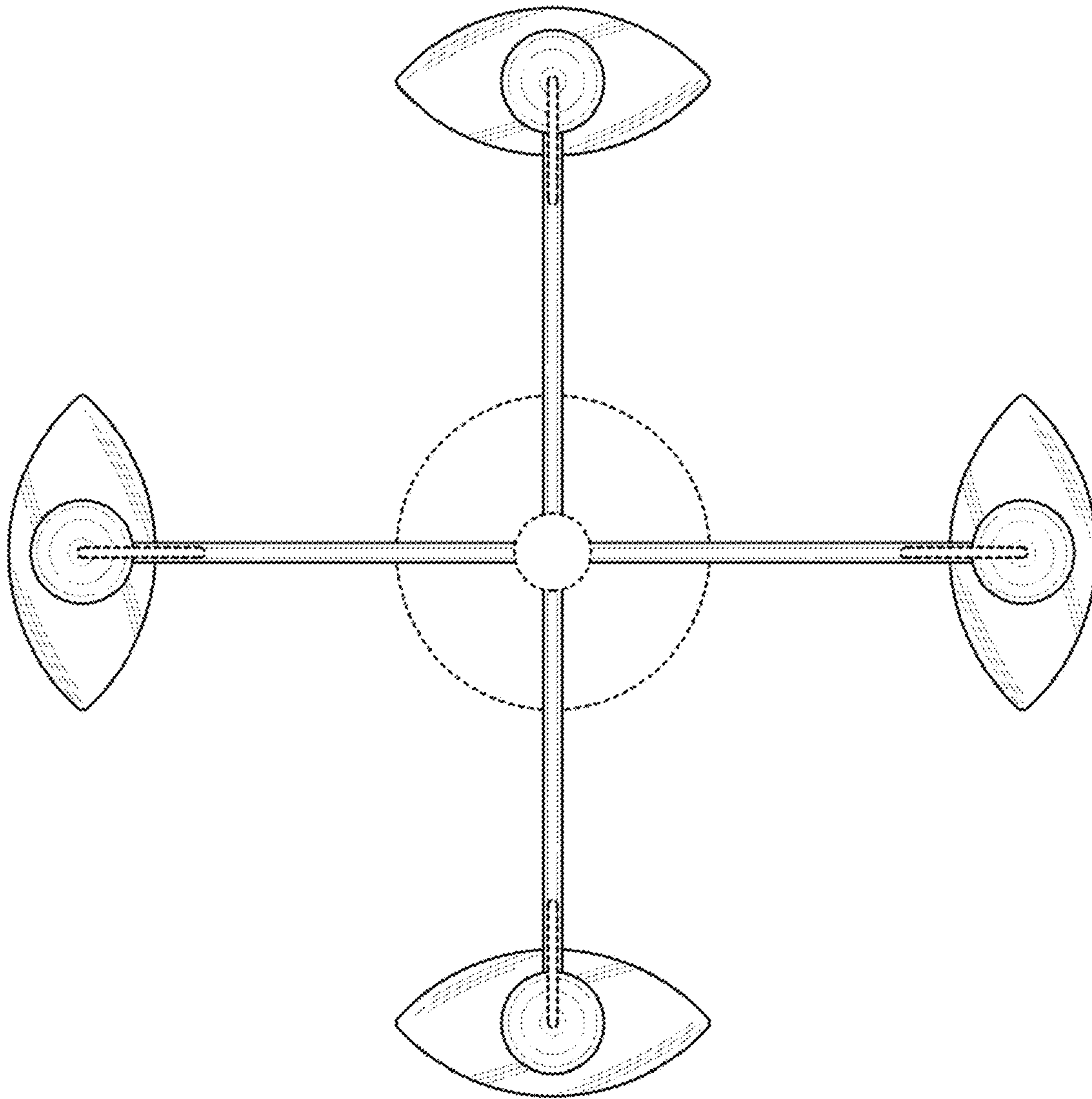


FIG. 7

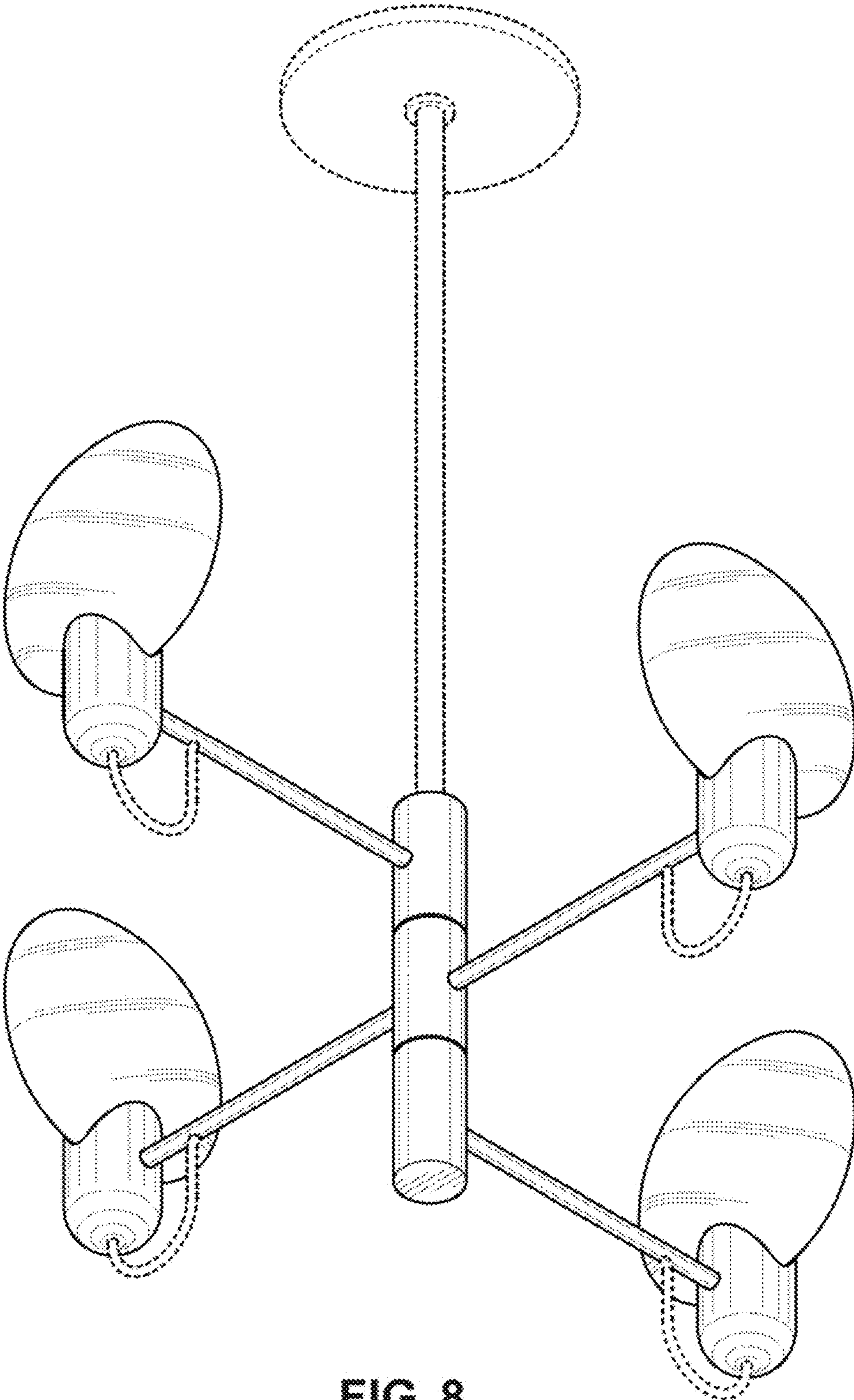


FIG. 8