



US00D806303S

(12) **United States Design Patent**
Matsui

(10) **Patent No.:** **US D806,303 S**

(45) **Date of Patent:** **** Dec. 26, 2017**

(54) **SPOT LIGHT**

(71) Applicant: **MINEBEA CO., LTD.**, Kitasaku-gun,
Nagano (JP)

(72) Inventor: **Nobuki Matsui**, Saitama (JP)

(73) Assignee: **MINEBEA MITSUMI INC.**, Nagano
(JP)

(**) Term: **15 Years**

(21) Appl. No.: **29/566,974**

(22) Filed: **Jun. 3, 2016**

(30) **Foreign Application Priority Data**

Feb. 17, 2016 (JP) 2016-003398

(51) **LOC (10) Cl.** **26-03**

(52) **U.S. Cl.**
USPC **D26/65**

(58) **Field of Classification Search**

USPC D26/1, 24, 61, 63, 65, 85, 92

CPC F21V 21/14; F21V 15/01; F21V 14/02;

F21V 21/30; F21V 21/00; F21V 14/00;

F21S 8/00; F21S 8/003; F21S 8/043;

F21Y 2105/001

See application file for complete search history.

(56) **References Cited**

U.S. PATENT DOCUMENTS

D417,300 S * 11/1999 Stacy D26/63

D448,506 S * 9/2001 Miller D26/63

D587,832 S * 3/2009 Bergmann D26/63

7,762,688 B2 * 7/2010 Dixon F21V 21/30

362/287

D670,846 S * 11/2012 Ramirez D26/63

D671,252 S * 11/2012 You D26/63

D693,503 S * 11/2013 Rashidi D26/63

D748,313 S * 1/2016 Grundl D26/63

D751,746 S * 3/2016 Hoang D26/63

* cited by examiner

Primary Examiner — Brian N. Vinson

(74) *Attorney, Agent, or Firm* — Pearne & Gordon LLP

(57) **CLAIM**

The ornamental design for a spot light, as shown and described.

DESCRIPTION

FIG. 1 is a front, top and left side perspective view of a spot light showing my new design;

FIG. 2 is a rear, bottom and left side perspective view thereof;

FIG. 3 is a front elevational view thereof;

FIG. 4 is a rear elevational view thereof;

FIG. 5 is a right side elevational view thereof;

FIG. 6 is a left side elevational view thereof;

FIG. 7 is a top plan view thereof;

FIG. 8 is a bottom plan view thereof;

FIG. 9 is another front, top and left side perspective view thereof showing a state in which a lens portion is retreated;

FIG. 10 is another front, top and left side perspective view thereof showing a state in which a lens portion is advanced;

and,

FIG. 11 is a perspective view of the spot light attached to a rail installed on a ceiling and showing a state in which an arm and lighting portion of the design are rotated.

The broken lines in FIG. 11 depict environmental subject matter only and the broken lines form no part of the claimed design.

1 Claim, 7 Drawing Sheets

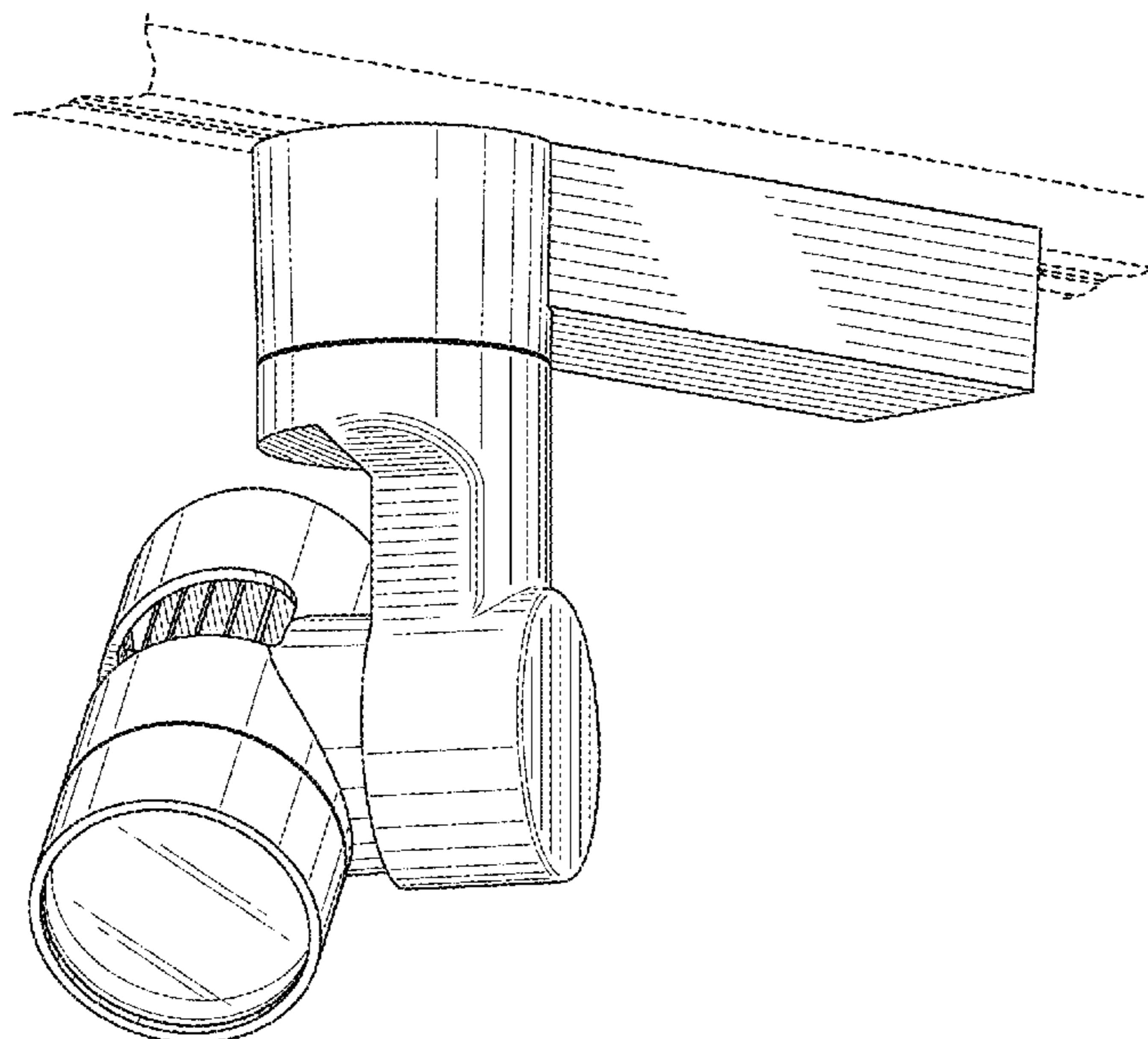


FIG. 1

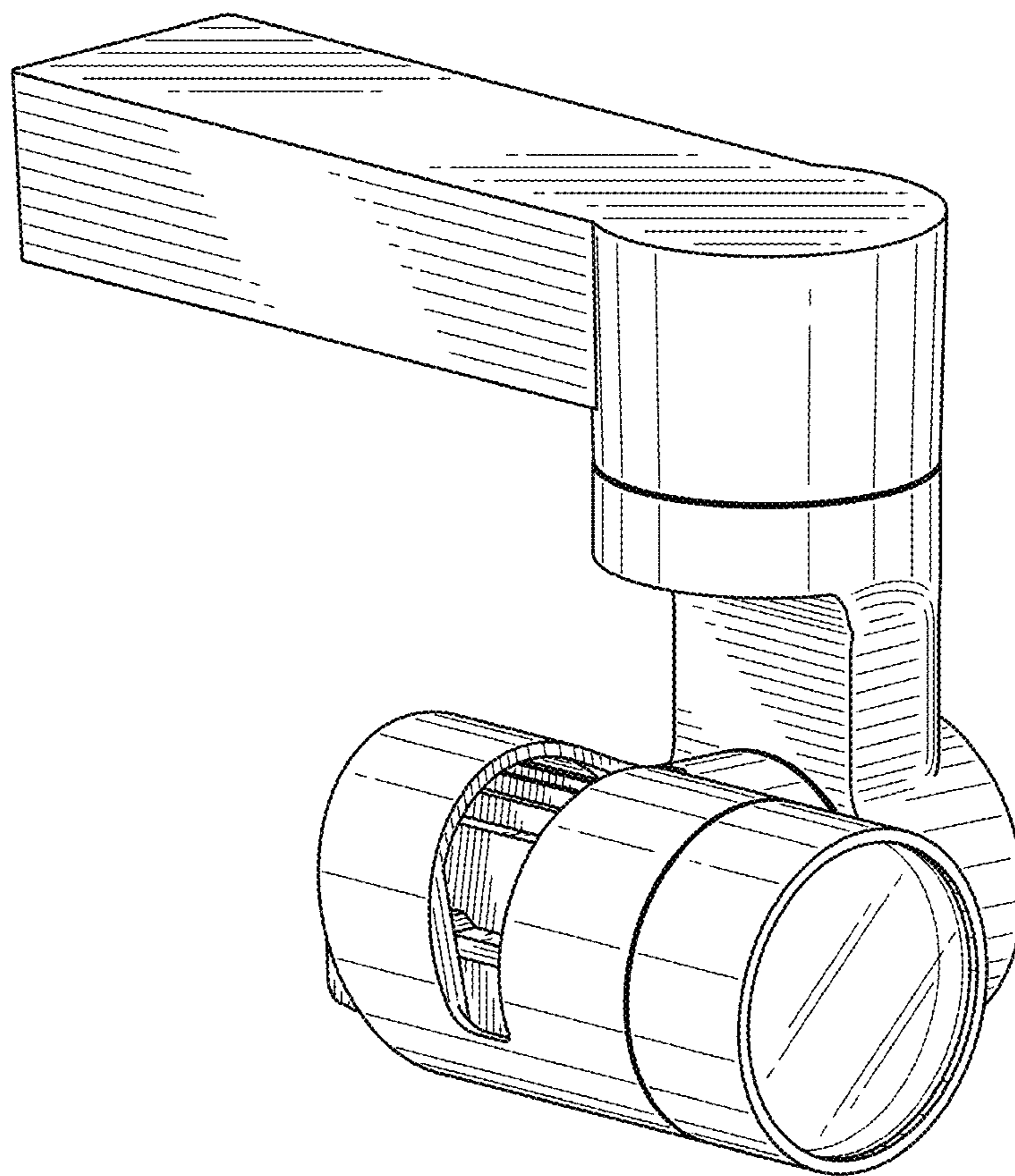


FIG. 2

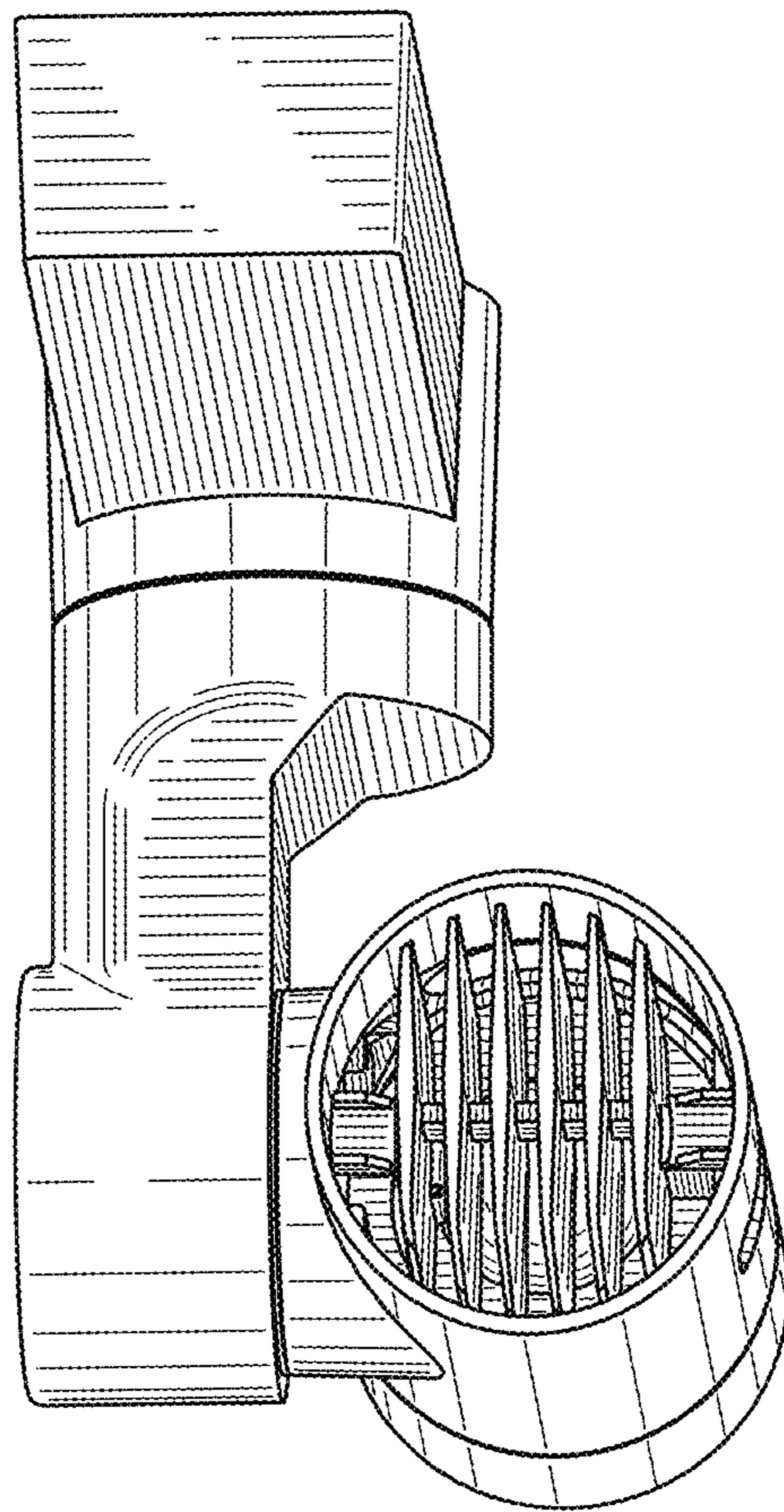


FIG. 3

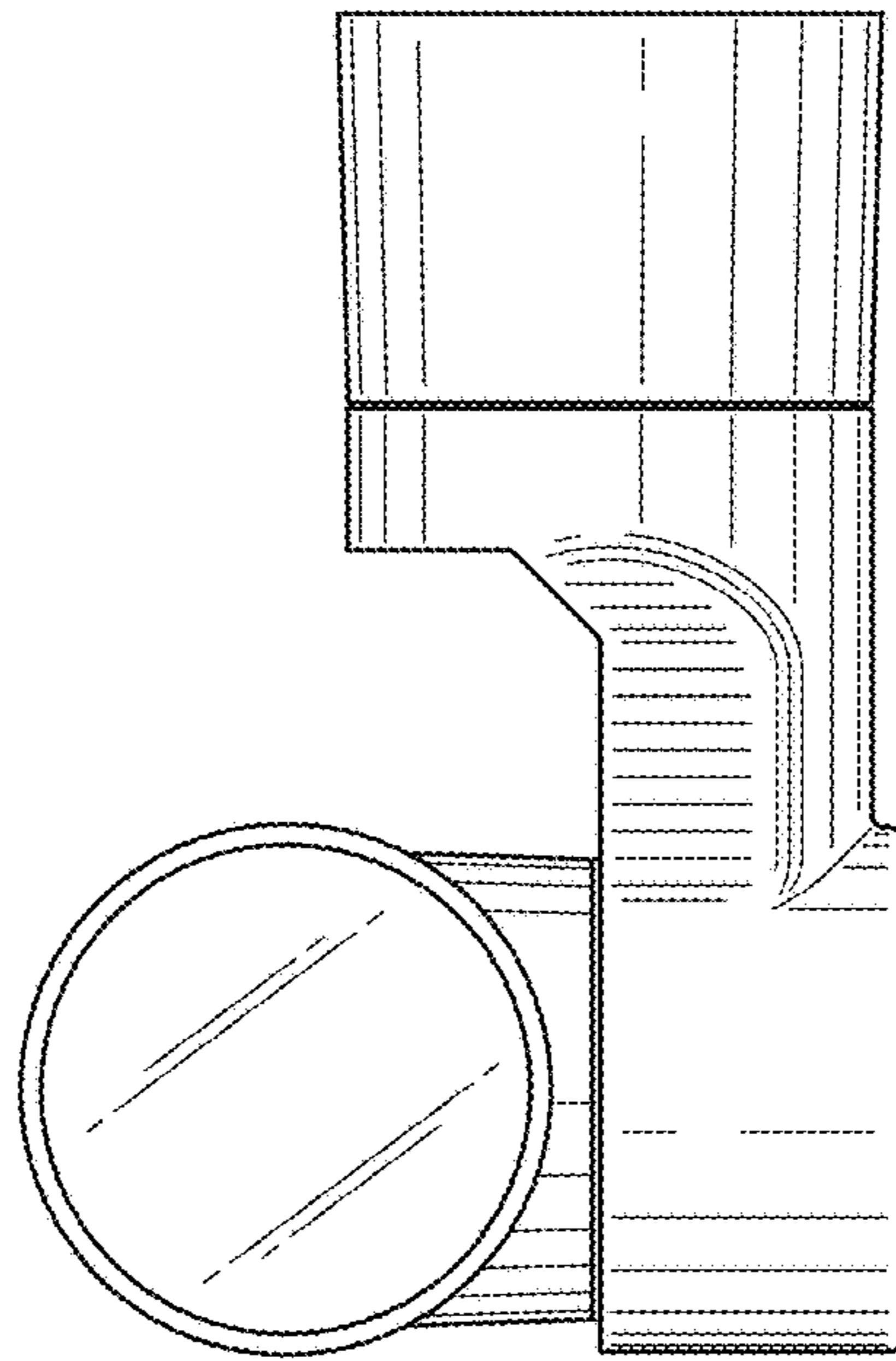


FIG. 4

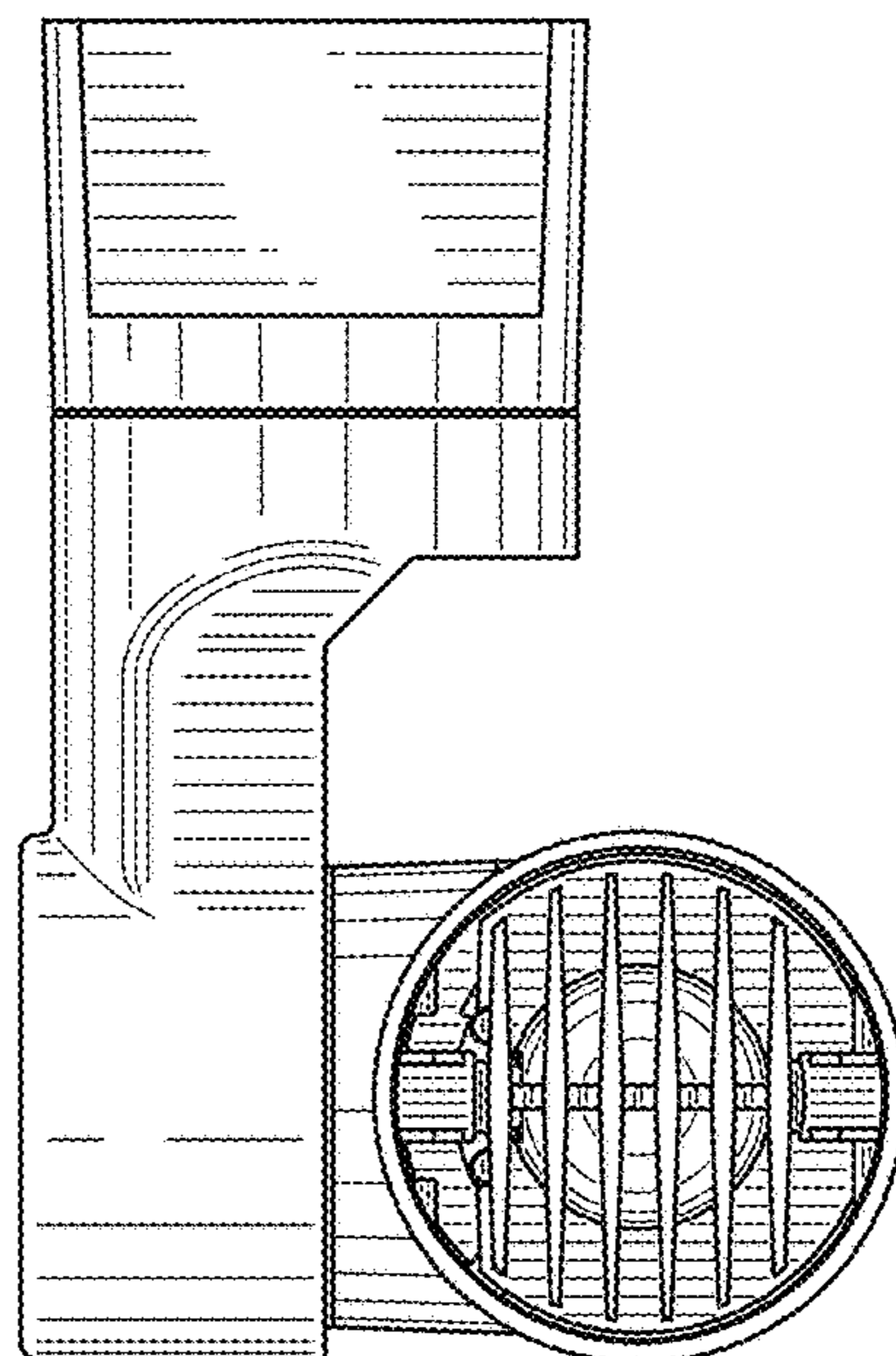


FIG. 5

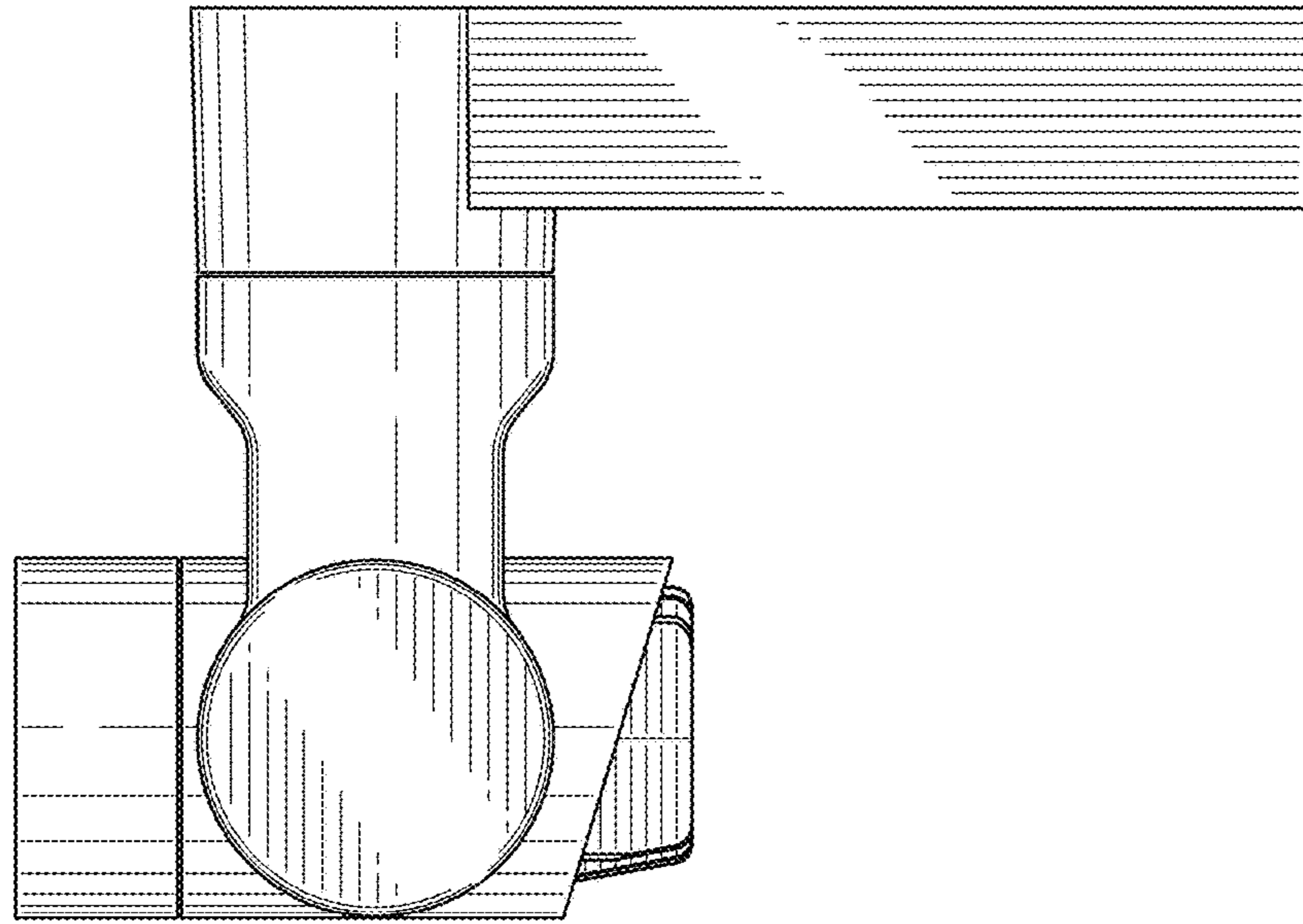


FIG. 6

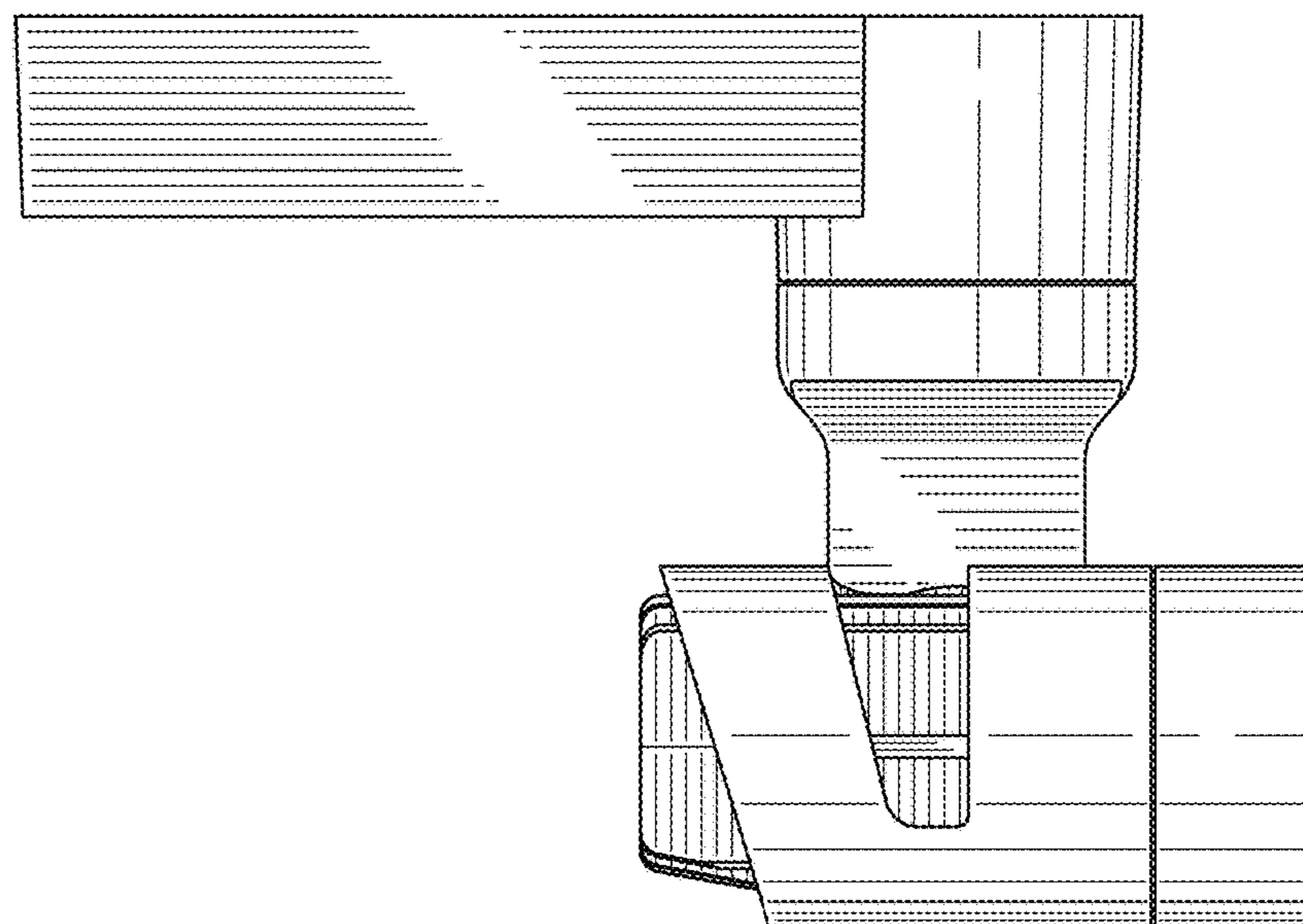


FIG. 7

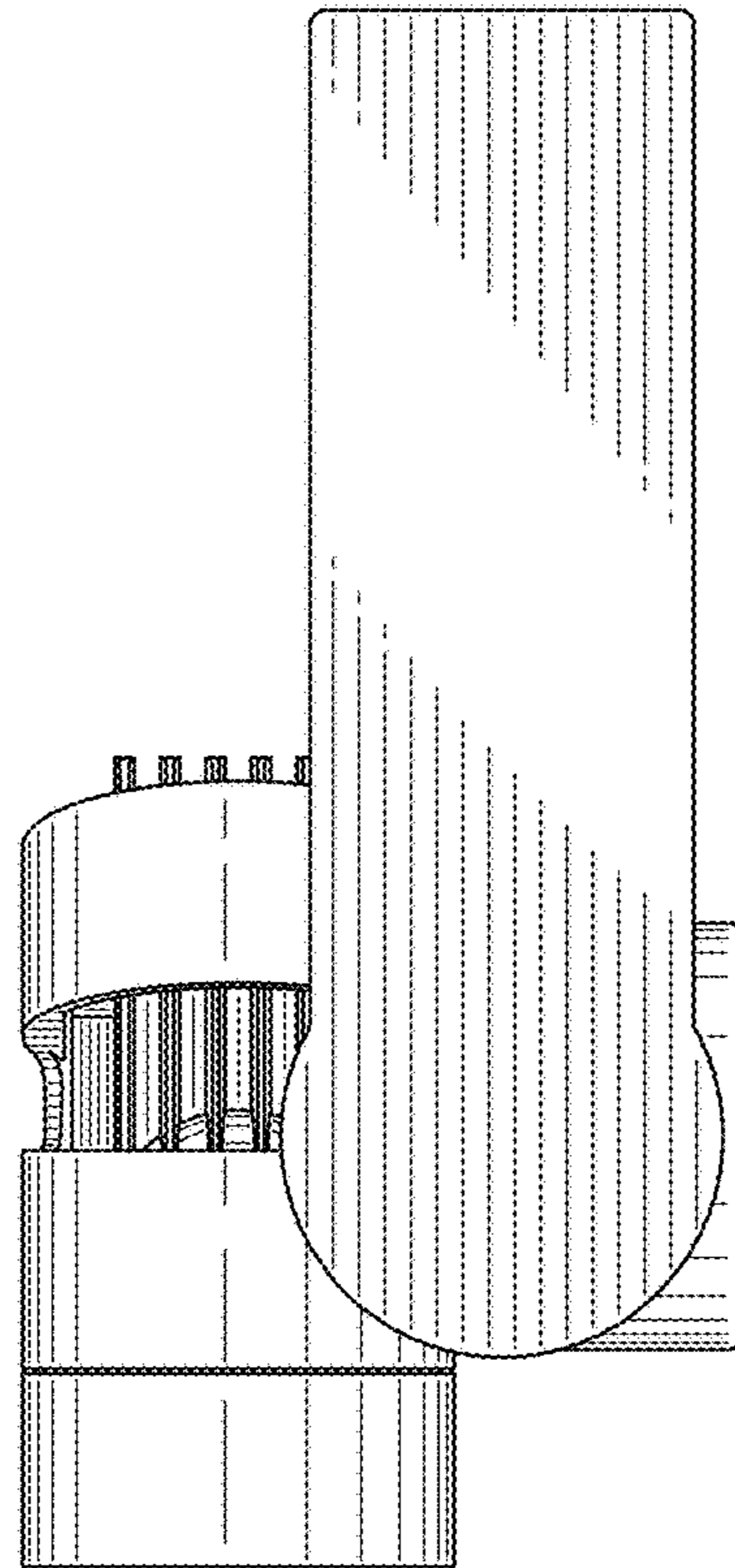


FIG. 8

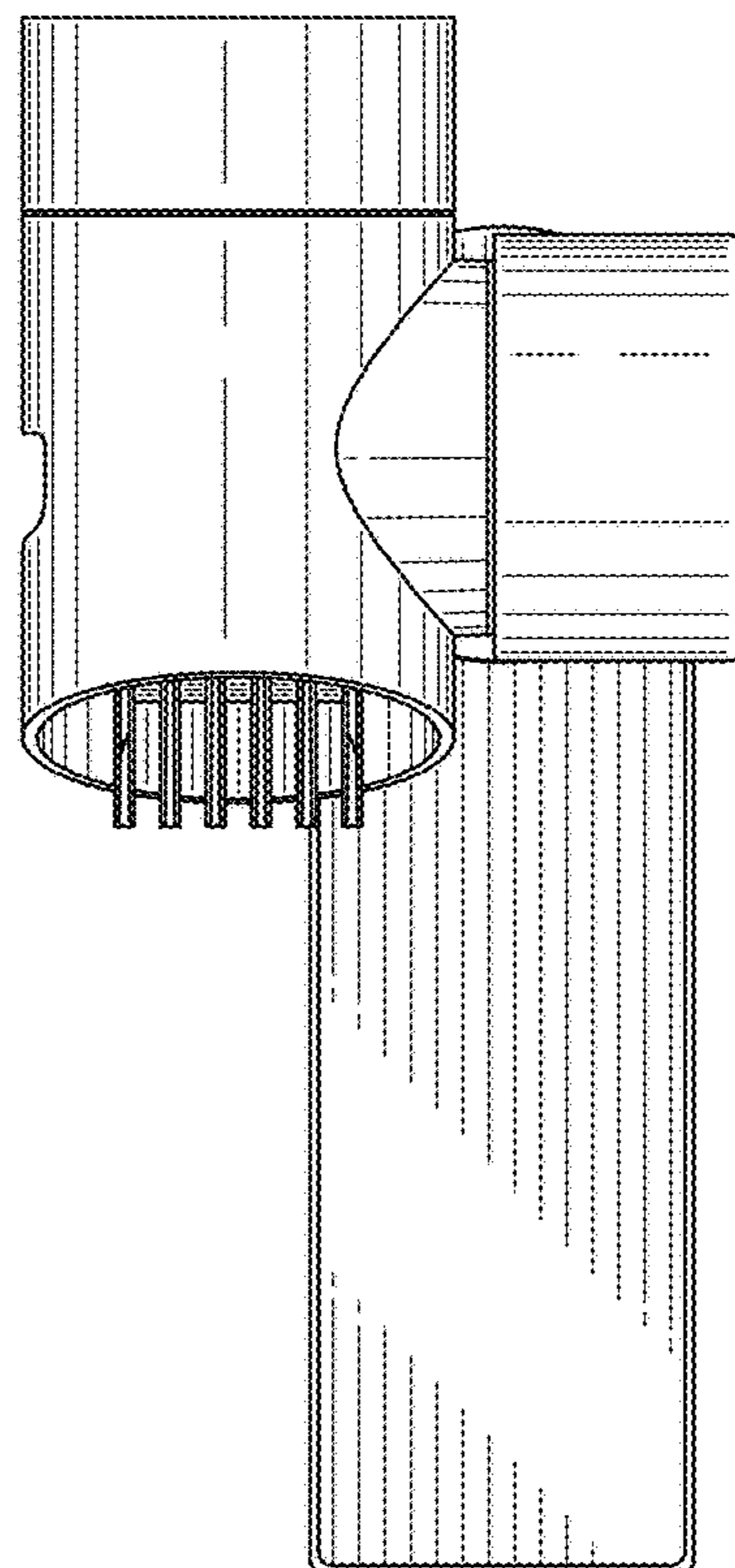


FIG. 9

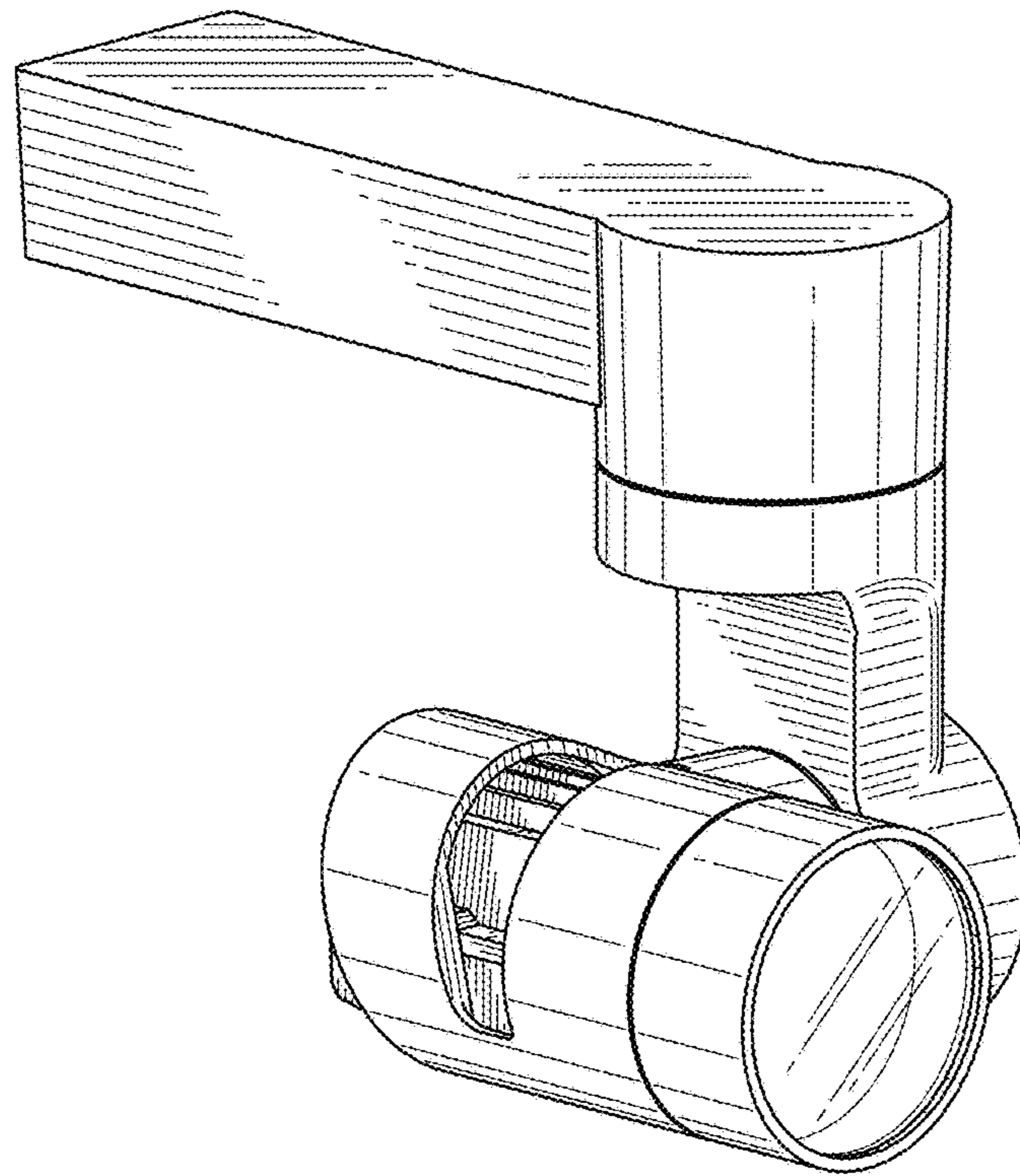


FIG. 10

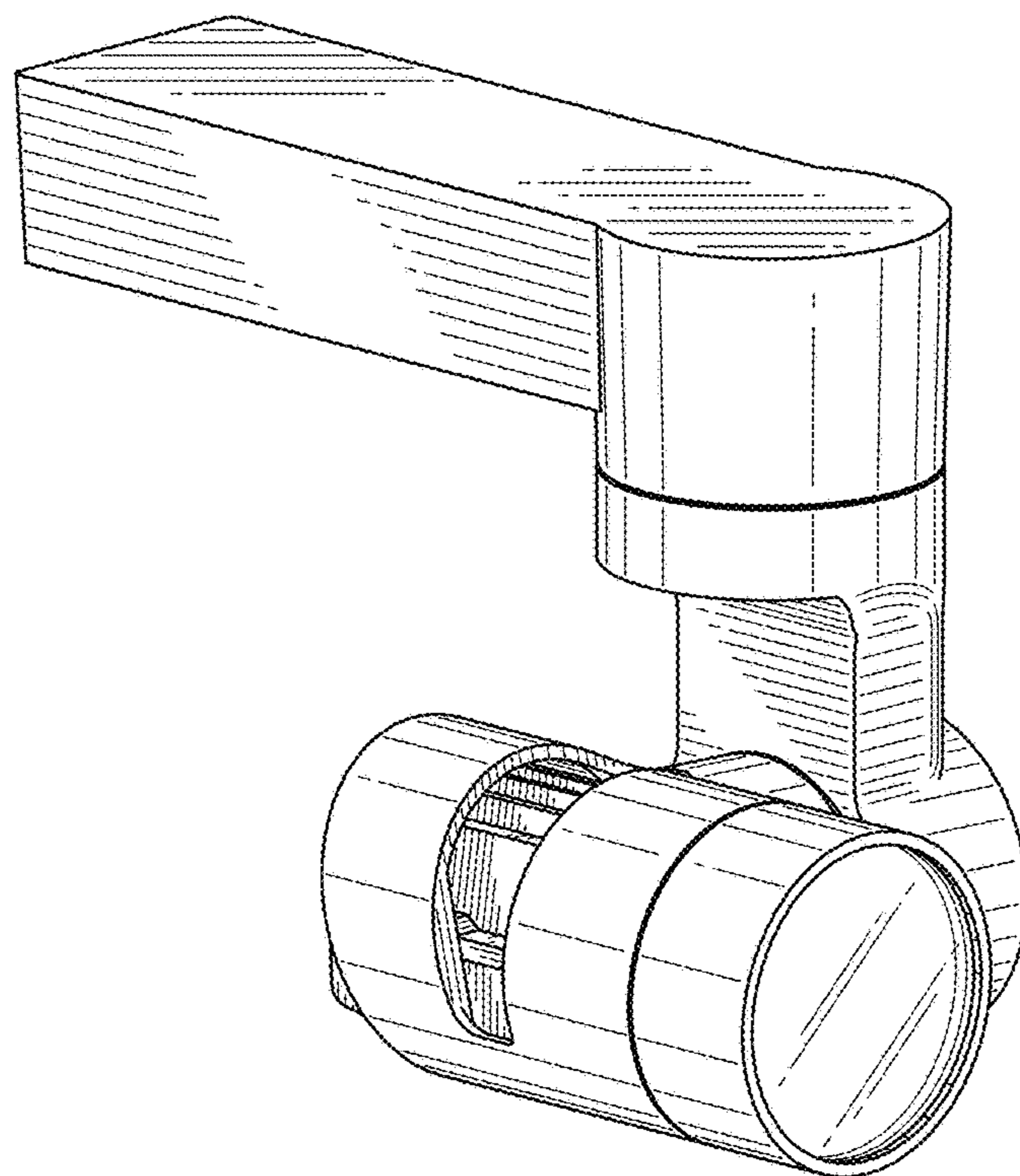


FIG. 11

