



US00D806300S

(12) **United States Design Patent**
York et al.

(10) **Patent No.:** **US D806,300 S**

(45) **Date of Patent:** **** Dec. 26, 2017**

(54) **LIGHT FIXTURE WITH BACKBOX**

(71) Applicants: **Chenell Erika York**, Atlanta, GA (US); **Christopher Gerard Ladewig**, Fayetteville, GA (US)

(72) Inventors: **Chenell Erika York**, Atlanta, GA (US); **Christopher Gerard Ladewig**, Fayetteville, GA (US)

(73) Assignee: **Cooper Technologies Company**, Houston, TX (US)

(**) Term: **15 Years**

(21) Appl. No.: **29/571,950**

(22) Filed: **Jul. 22, 2016**

(51) **LOC (10) Cl.** **26-03**

(52) **U.S. Cl.**
USPC **D26/63**

(58) **Field of Classification Search**
USPC D26/1, 24, 61, 63, 65, 85, 92
CPC F21V 21/14; F21V 15/01; F21V 14/02;
F21V 21/30; F21V 21/00; F21V 14/00;
F21S 8/00; F21S 8/003; F21S 8/043;
F21Y 2105/001

See application file for complete search history.

(56) **References Cited**

U.S. PATENT DOCUMENTS

D239,315 S * 3/1976 Satoh D26/63
D550,878 S * 9/2007 Korpi D26/63

D752,267 S * 3/2016 Wang D26/63
D761,989 S * 7/2016 Dickinson D26/63
D774,675 S * 12/2016 Hong D26/63

* cited by examiner

Primary Examiner — Brian N Vinson

(74) *Attorney, Agent, or Firm* — King & Spalding LLP

(57) **CLAIM**

The ornamental design for a light fixture with backbox, as shown and described.

DESCRIPTION

FIG. 1 is a top-side-rear perspective view of a light fixture with backbox, showing our new design;

FIG. 2 is a bottom-side-rear perspective view of the light fixture with backbox of FIG. 1;

FIG. 3 is a top plan view of the light fixture with backbox of FIG. 1;

FIG. 4 is a bottom plan view of the light fixture with backbox of FIG. 1;

FIG. 5 is a front elevation view of the light fixture with backbox of FIG. 1;

FIG. 6 is a rear elevation view of the light fixture with backbox of FIG. 1;

FIG. 7 is a left-side elevation view of the light fixture with backbox of FIG. 1; and,

FIG. 8 is a right-side elevation view of the light fixture with backbox of FIG. 1.

The broken lines shown in the figures represent unclaimed subject matter and form no part of the claimed design.

1 Claim, 8 Drawing Sheets

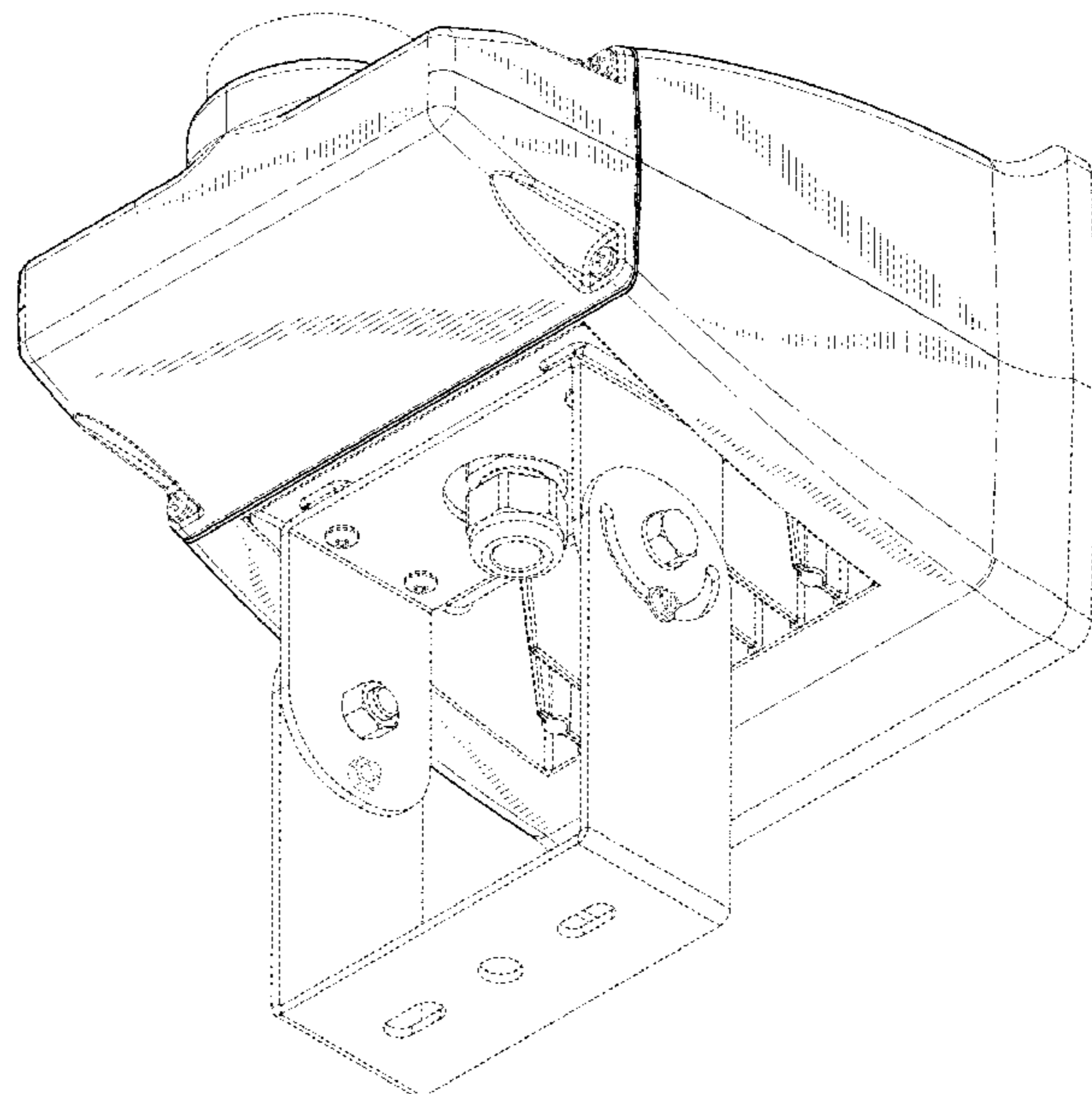
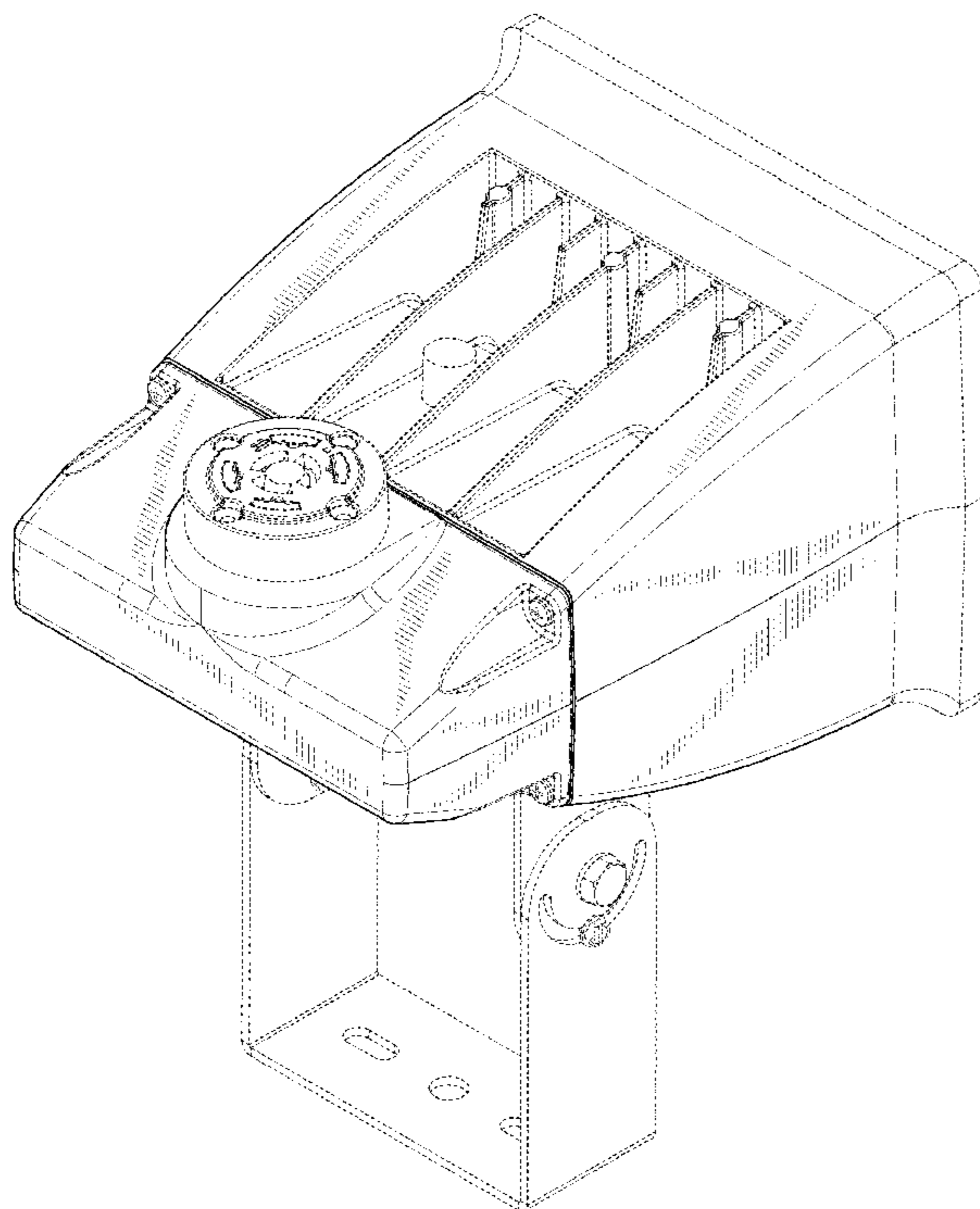


FIG. 1

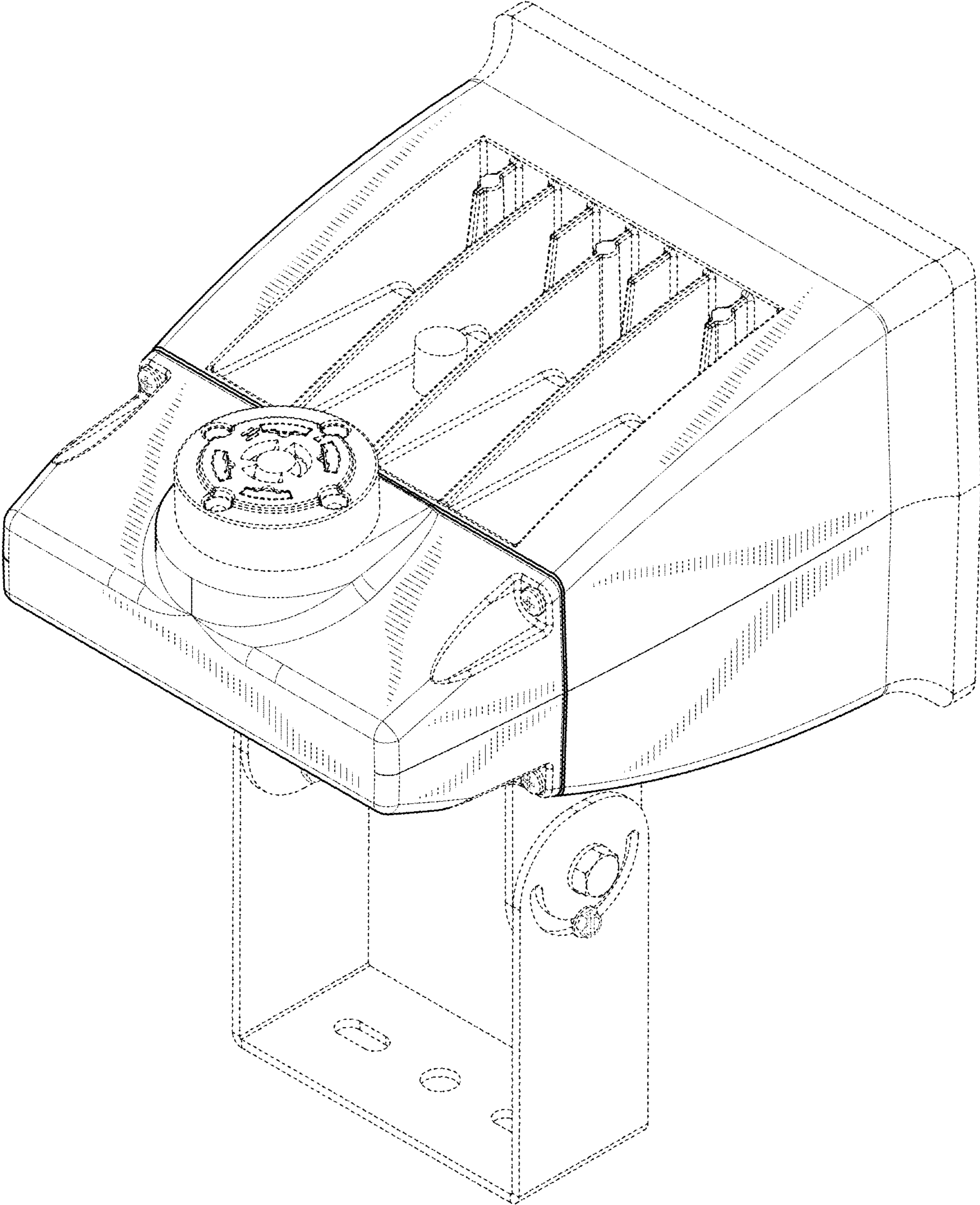


FIG. 2

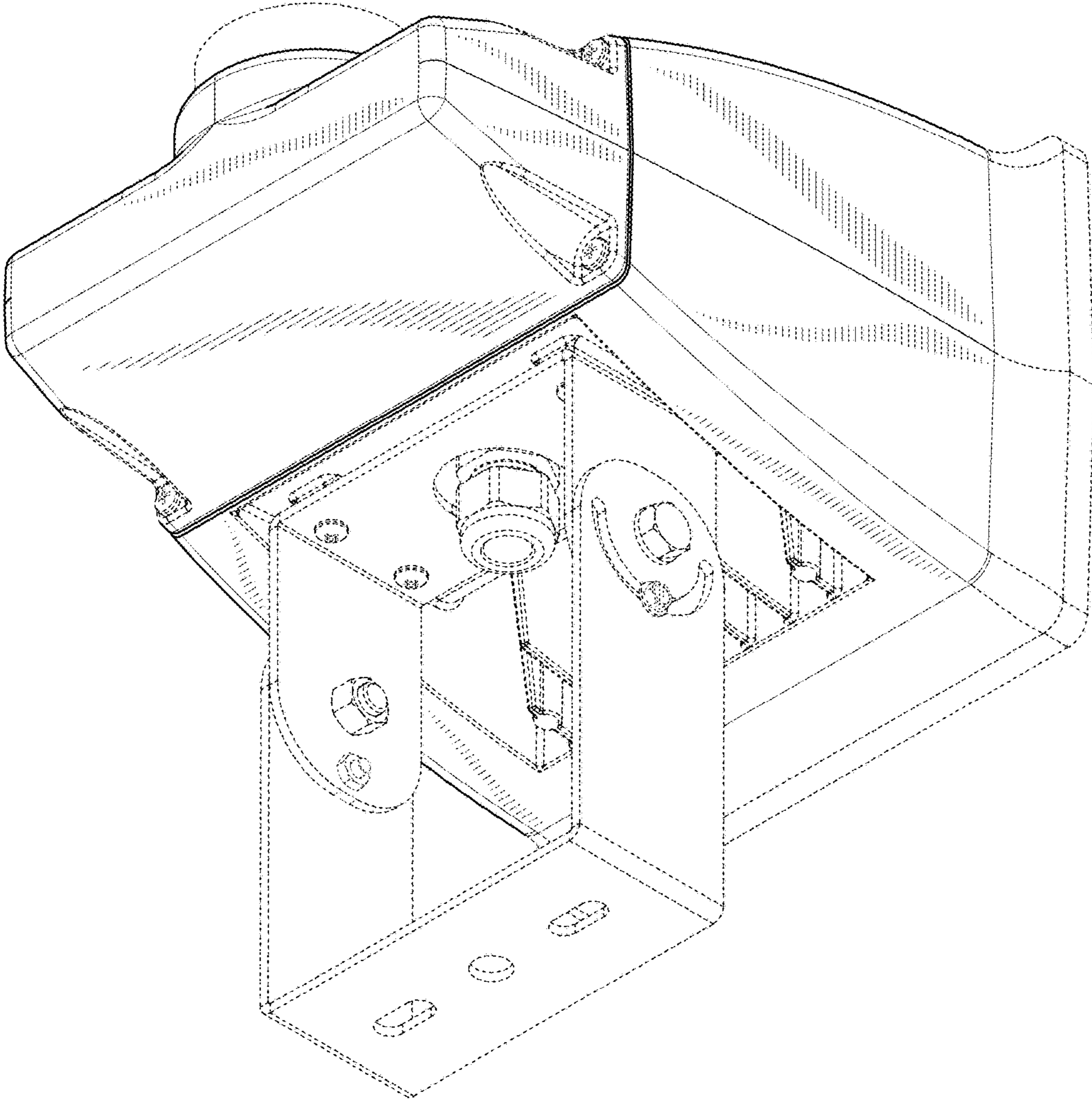


FIG. 3

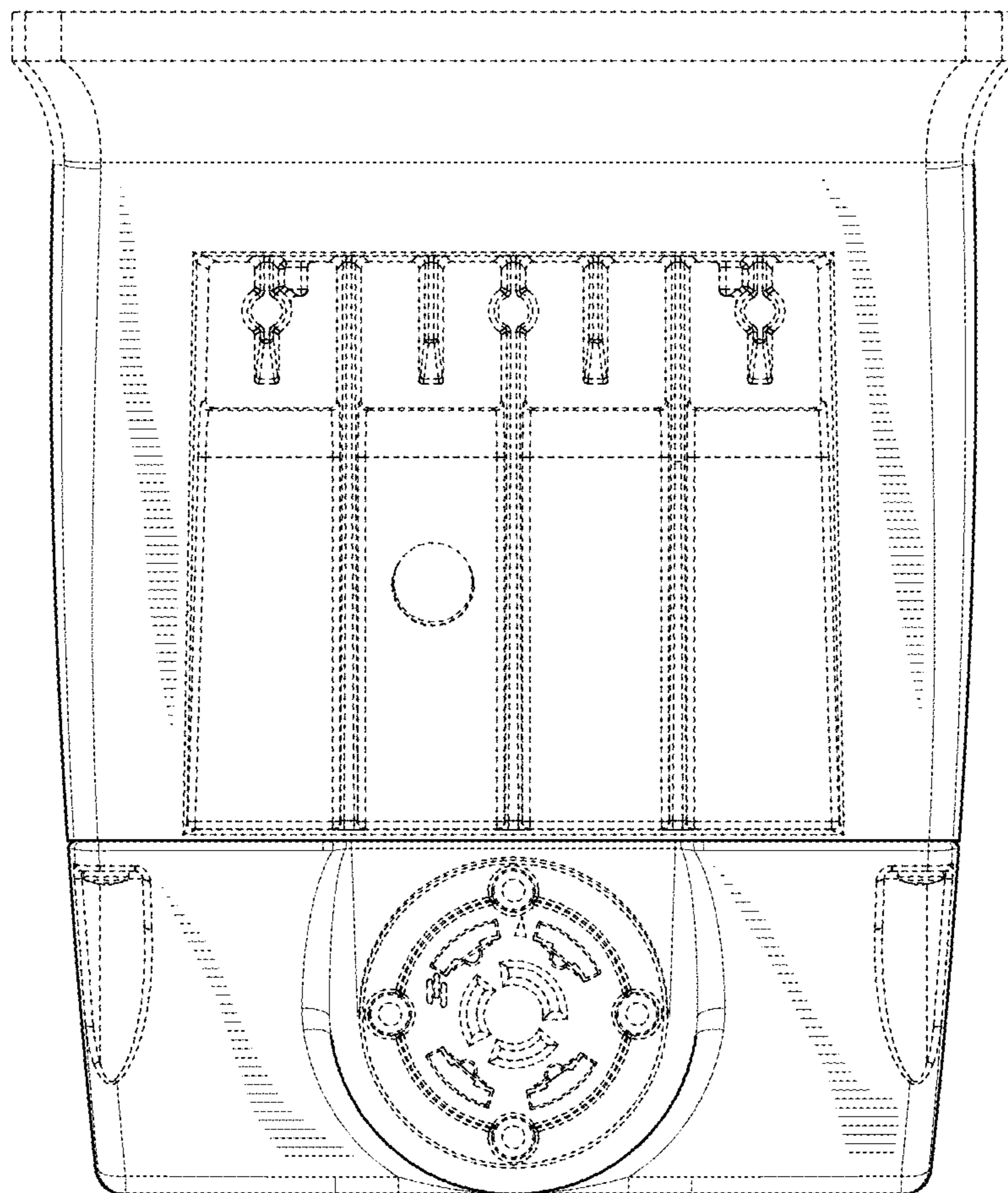


FIG. 4

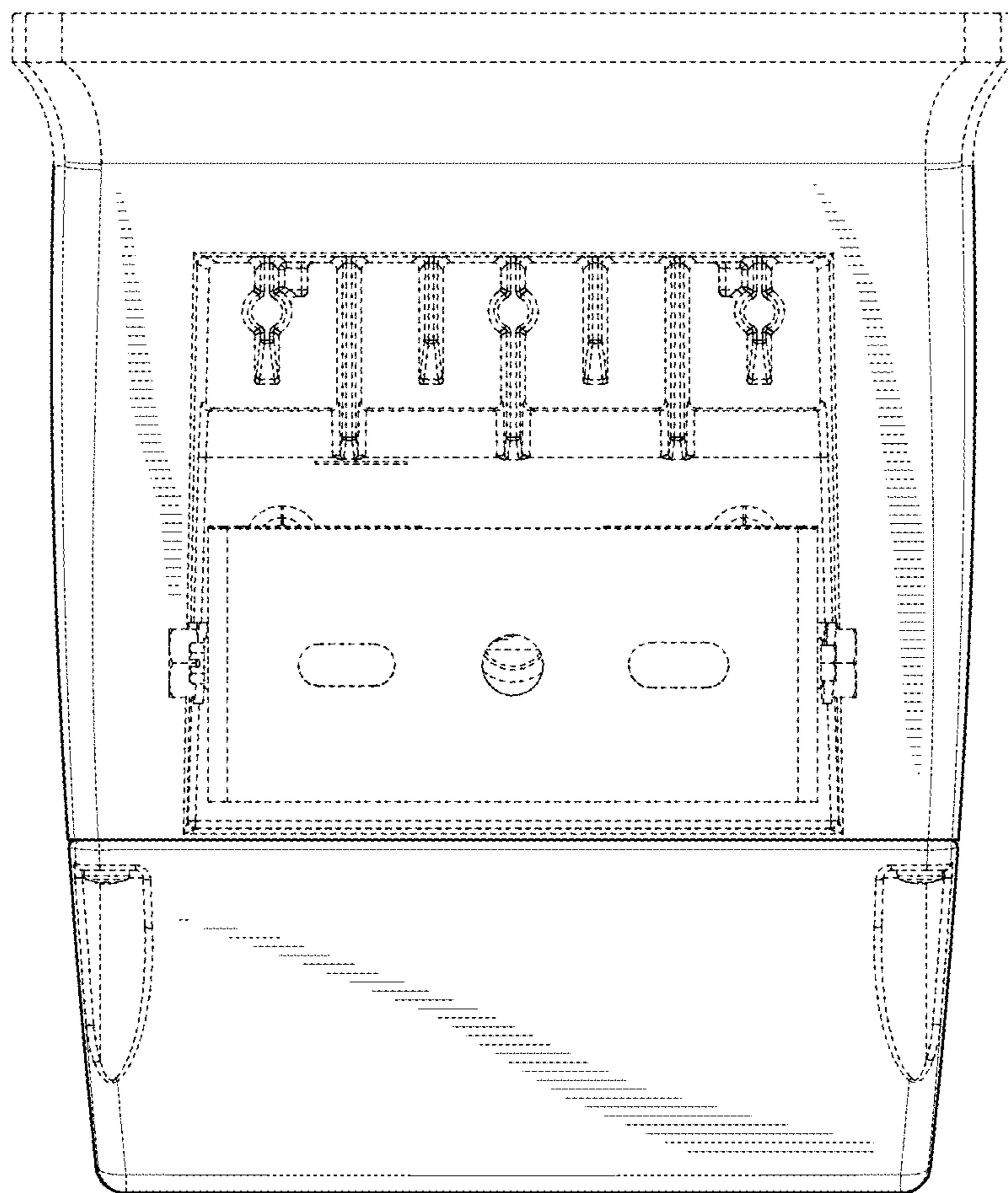


FIG. 5

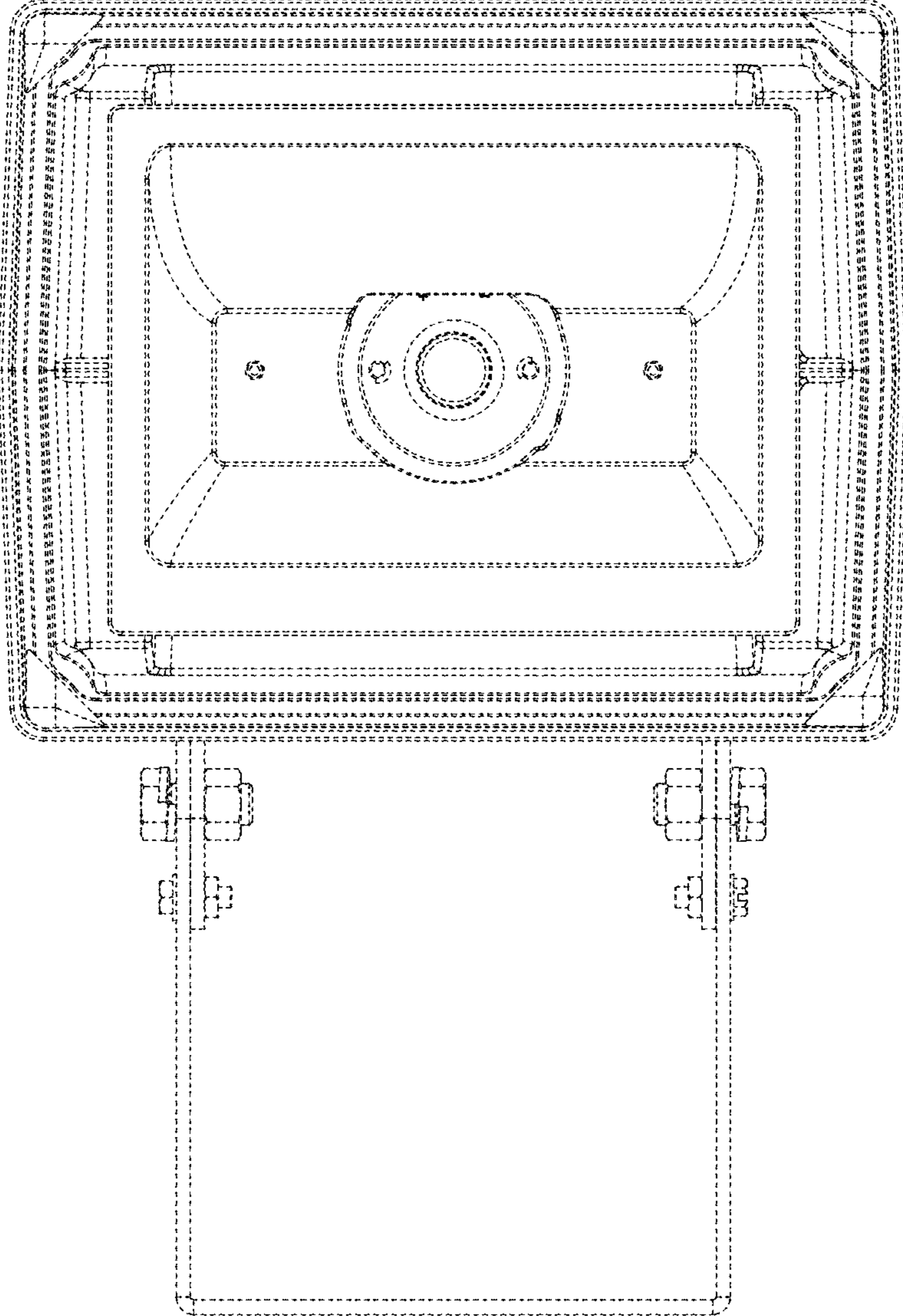


FIG. 6

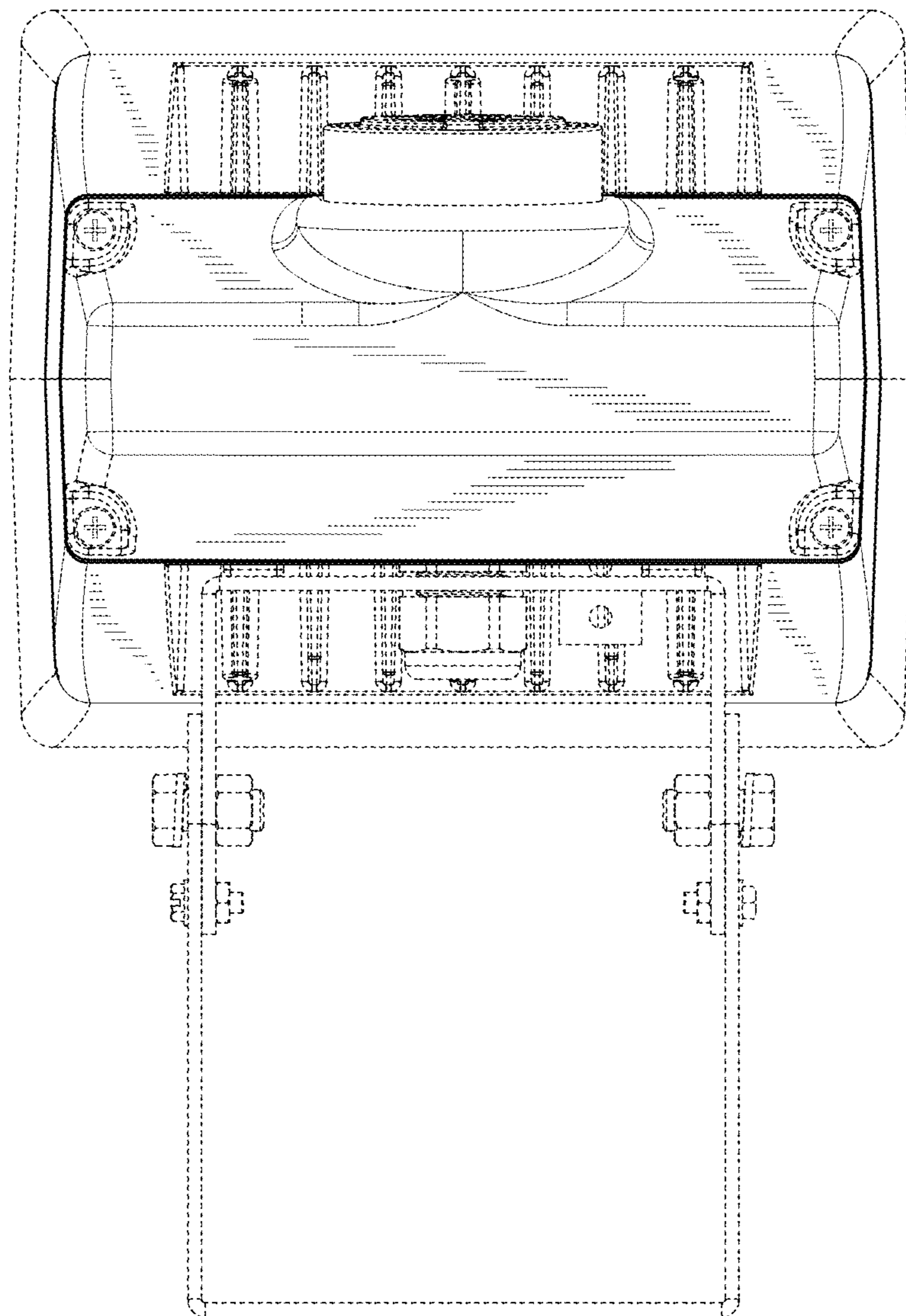


FIG. 7

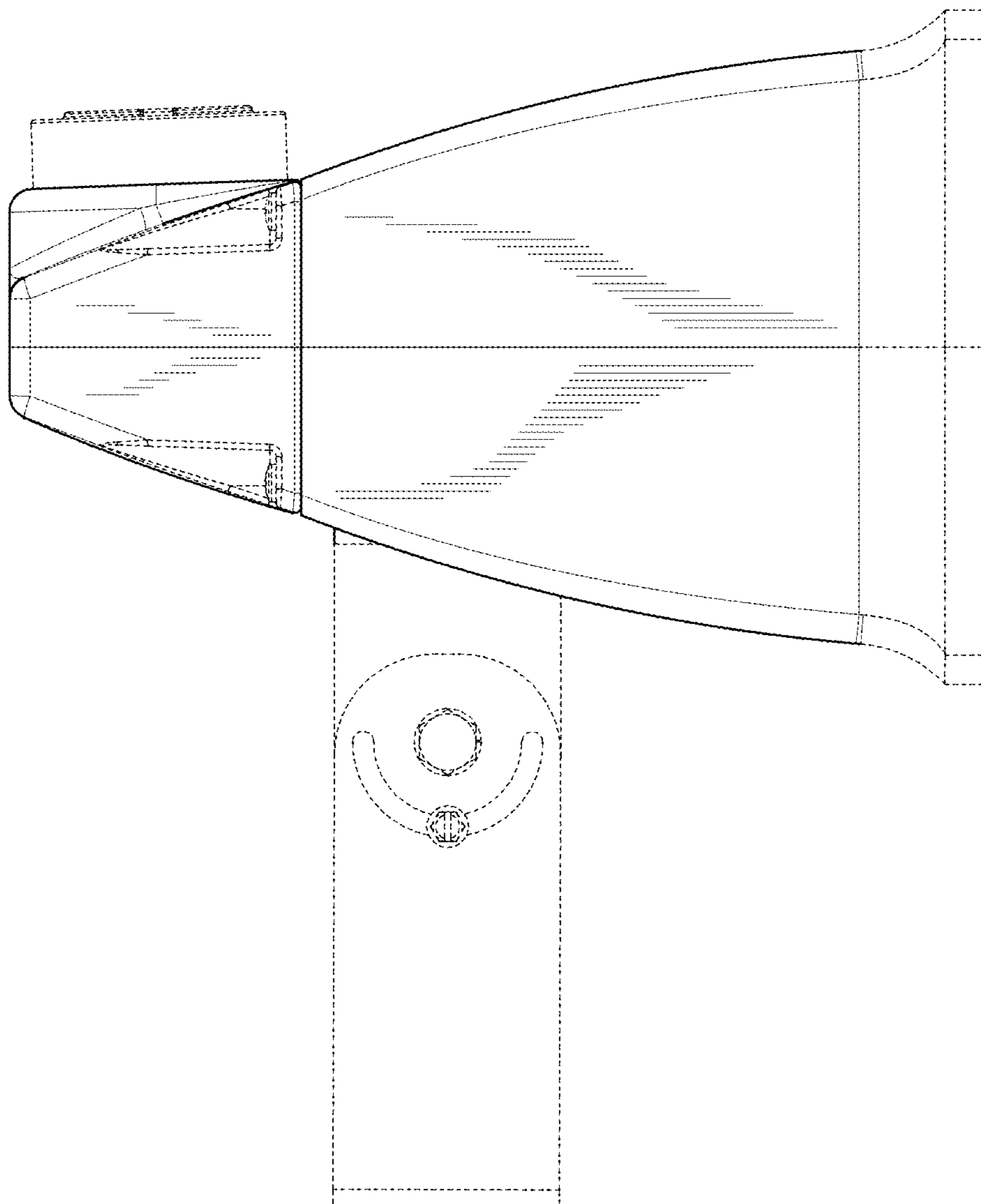


FIG. 8

