



US00D806298S

(12) **United States Design Patent**
Recker et al.

(10) **Patent No.:** **US D806,298 S**

(45) **Date of Patent:** **** Dec. 26, 2017**

(54) **SPOTLIGHT**

(71) Applicants: **Michael V Recker**, Gaithersburg, MD (US); **David B Levine**, Pepper Pike, OH (US)

(72) Inventors: **Michael V Recker**, Gaithersburg, MD (US); **David B Levine**, Pepper Pike, OH (US)

(73) Assignee: **Wireless Environment, LLC**, Mayfield Village, OH (US)

(**) Term: **15 Years**

(21) Appl. No.: **29/553,591**

(22) Filed: **Feb. 3, 2016**

(51) **LOC (10) Cl.** **26-05**

(52) **U.S. Cl.**
USPC **D26/63**

(58) **Field of Classification Search**
USPC D26/63, 67, 68
CPC F21S 8/003; F21S 8/08; F21S 8/081; F21S 8/083; F21S 9/03; F21S 9/032; F21S 9/035; F21S 9/037; F21V 21/0824; F21V 21/30; F21W 2121/004; F21W 2131/105; F21W 2131/109

See application file for complete search history.

(56) **References Cited**

U.S. PATENT DOCUMENTS

2,280,406	A *	4/1942	Gazin	F21V 17/00 248/181.1
3,104,064	A *	9/1963	Bellek	F21S 8/081 362/267
D235,227	S *	5/1975	Cleary et al.	D26/63
D407,518	S *	3/1999	Yeh	D26/63
D574,987	S *	8/2008	Waldmann	D26/63
D729,965	S *	5/2015	Recker	D26/63

D733,345	S *	6/2015	Recker	D26/63
D761,471	S *	7/2016	Hoffmann	D26/63
D777,965	S *	1/2017	Mirchandani	D26/67
2010/0259945	A1 *	10/2010	Chiu	B60Q 1/245 362/428
2011/0002122	A1 *	1/2011	Tsao	F21S 8/033 362/277
2011/0255274	A1 *	10/2011	Coleman	F21L 4/02 362/183
2016/0313636	A1 *	10/2016	Chien	G03B 29/00

OTHER PUBLICATIONS

Mr. Beams Wireless Outdoor Motion Sensor Spotlight Model #MB360XT. Found at mrbeams.com visited May 2, 2017. First available on that website Nov. 23, 2016. (3 pages).*

* cited by examiner

Primary Examiner — Clare E Heflin

(74) *Attorney, Agent, or Firm* — Finnegan, Henderson, Farabow, Garrett & Dunner, LLP

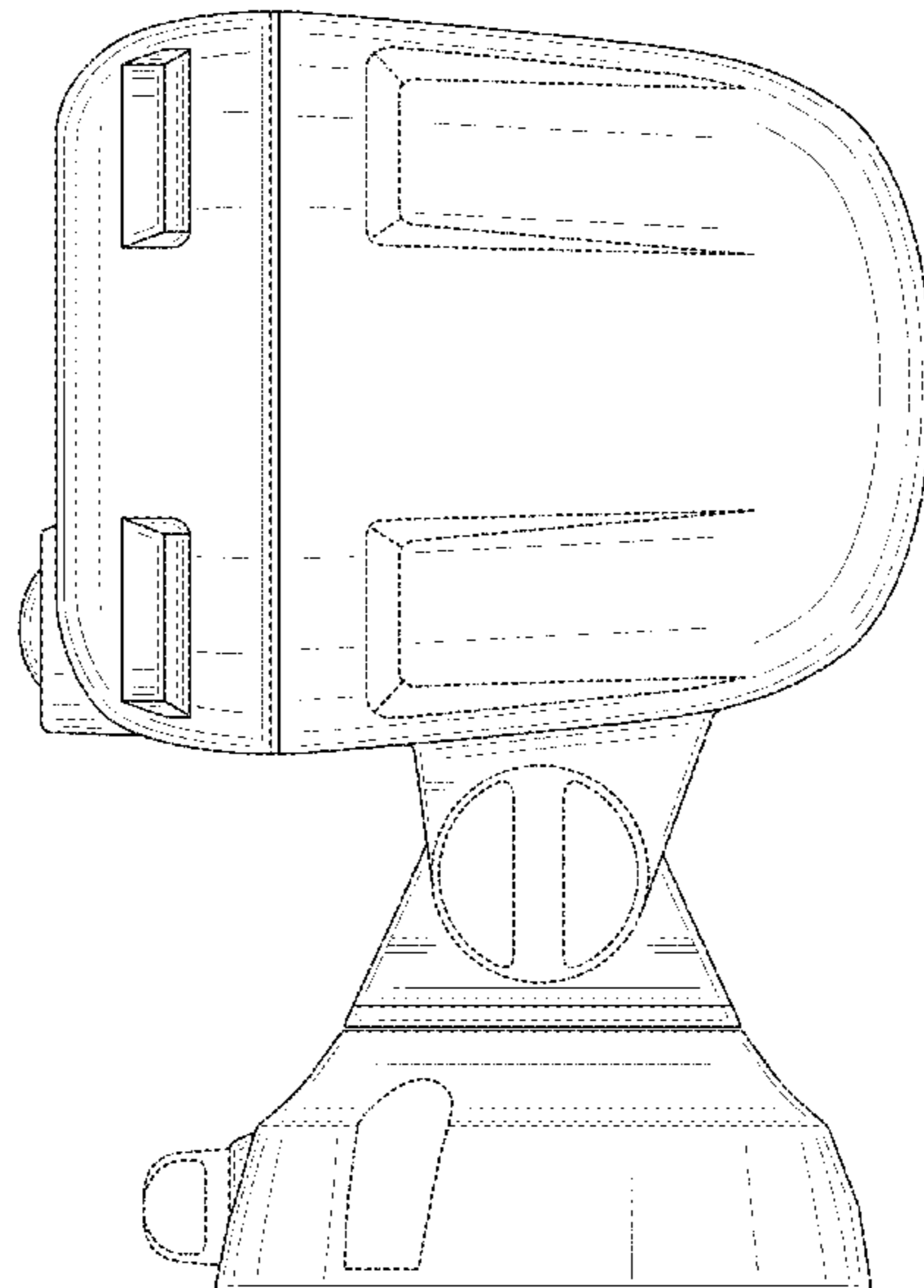
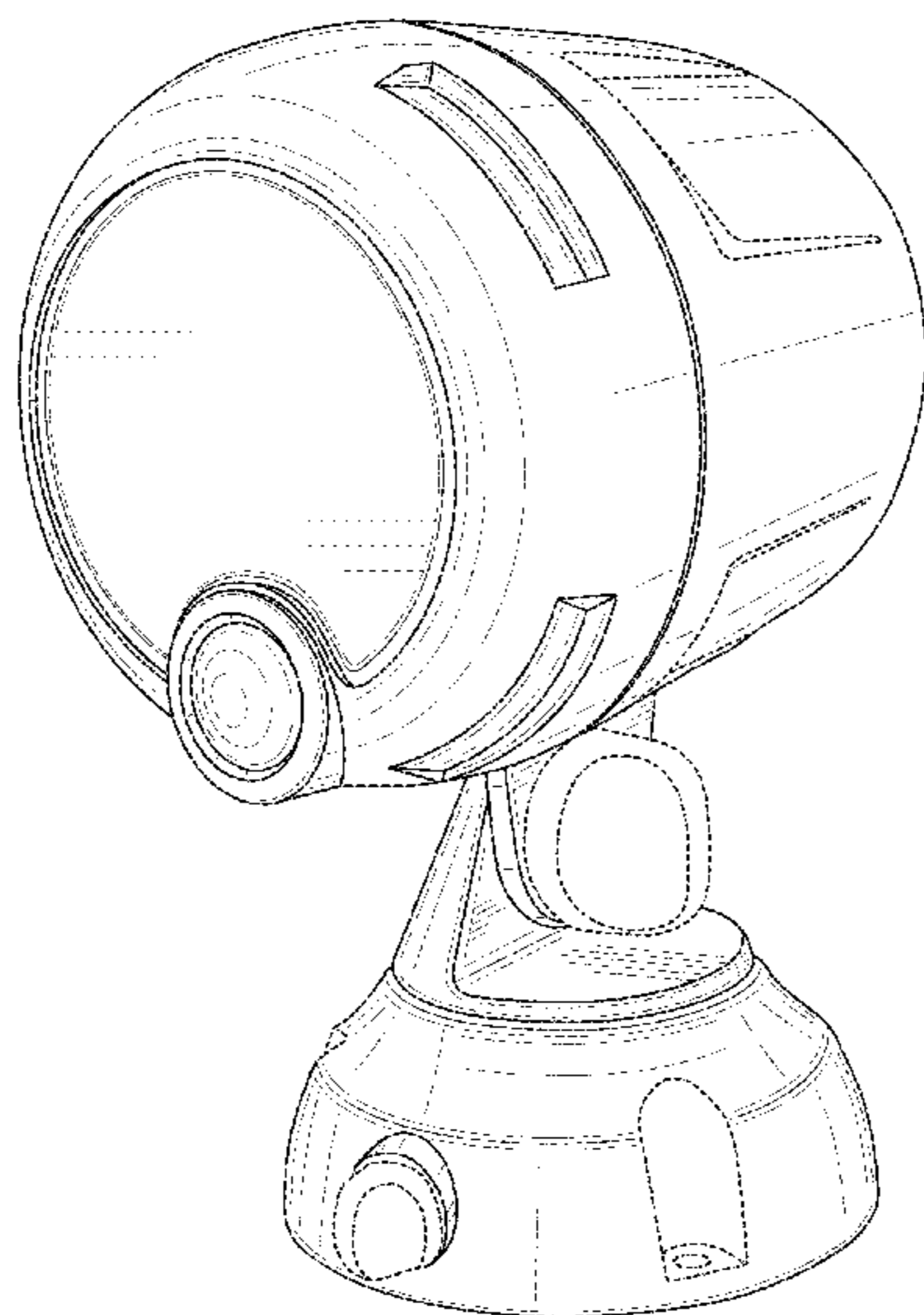
(57) **CLAIM**

The ornamental design for a spotlight, as shown and described.

DESCRIPTION

FIG. 1 is a front right perspective view of a spotlight showing our new design;
FIG. 2 is a rear left bottom perspective view thereof;
FIG. 3 is a front elevation view thereof;
FIG. 4 is a rear elevation view thereof;
FIG. 5 is a left side view thereof;
FIG. 6 is a right side view thereof;
FIG. 7 is a top plan view thereof; and,
FIG. 8 is a bottom view thereof.
The broken lines shown in the drawings illustrate portions of the spotlight that form no part of the claimed design.

1 Claim, 8 Drawing Sheets



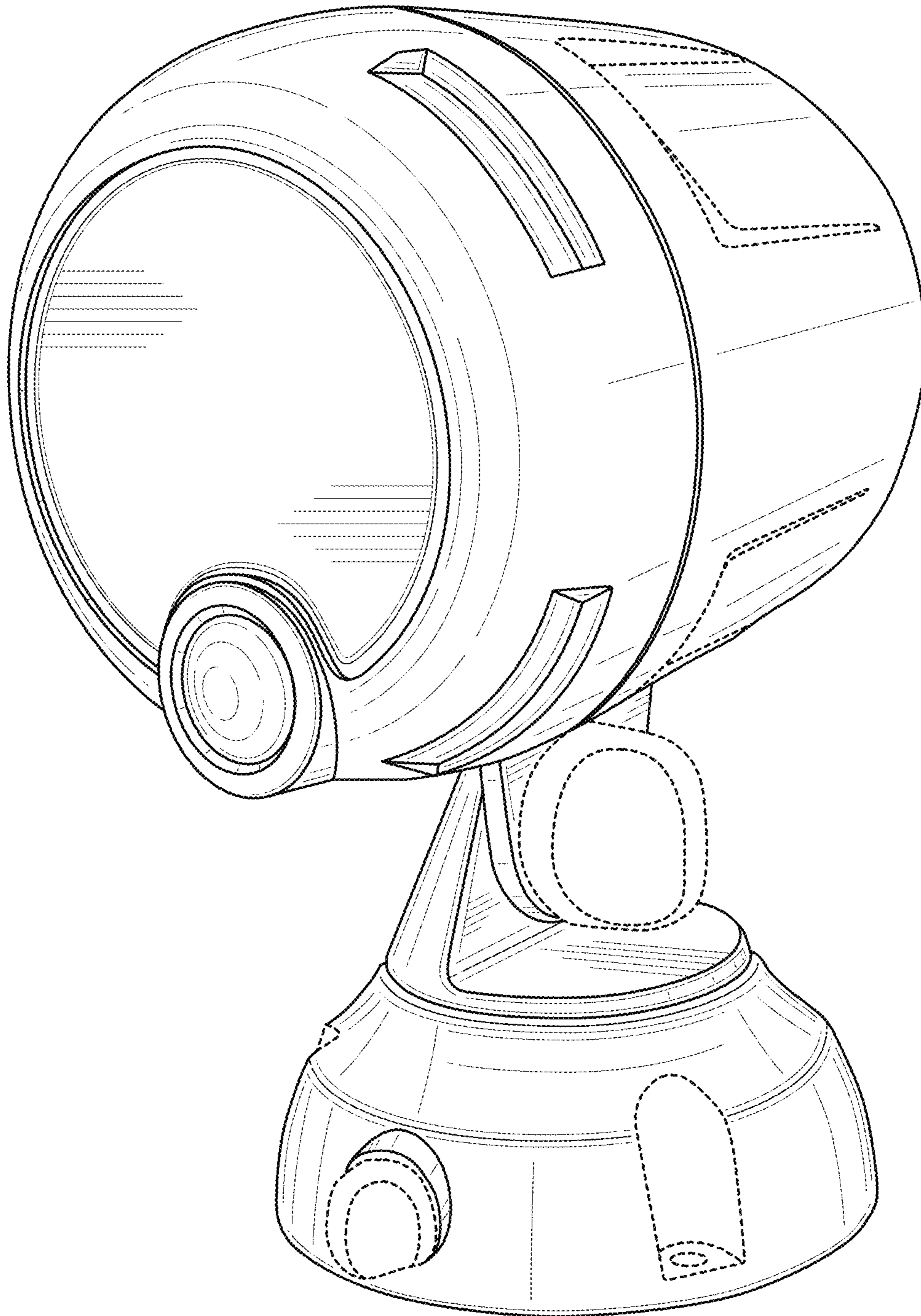


FIG. 1

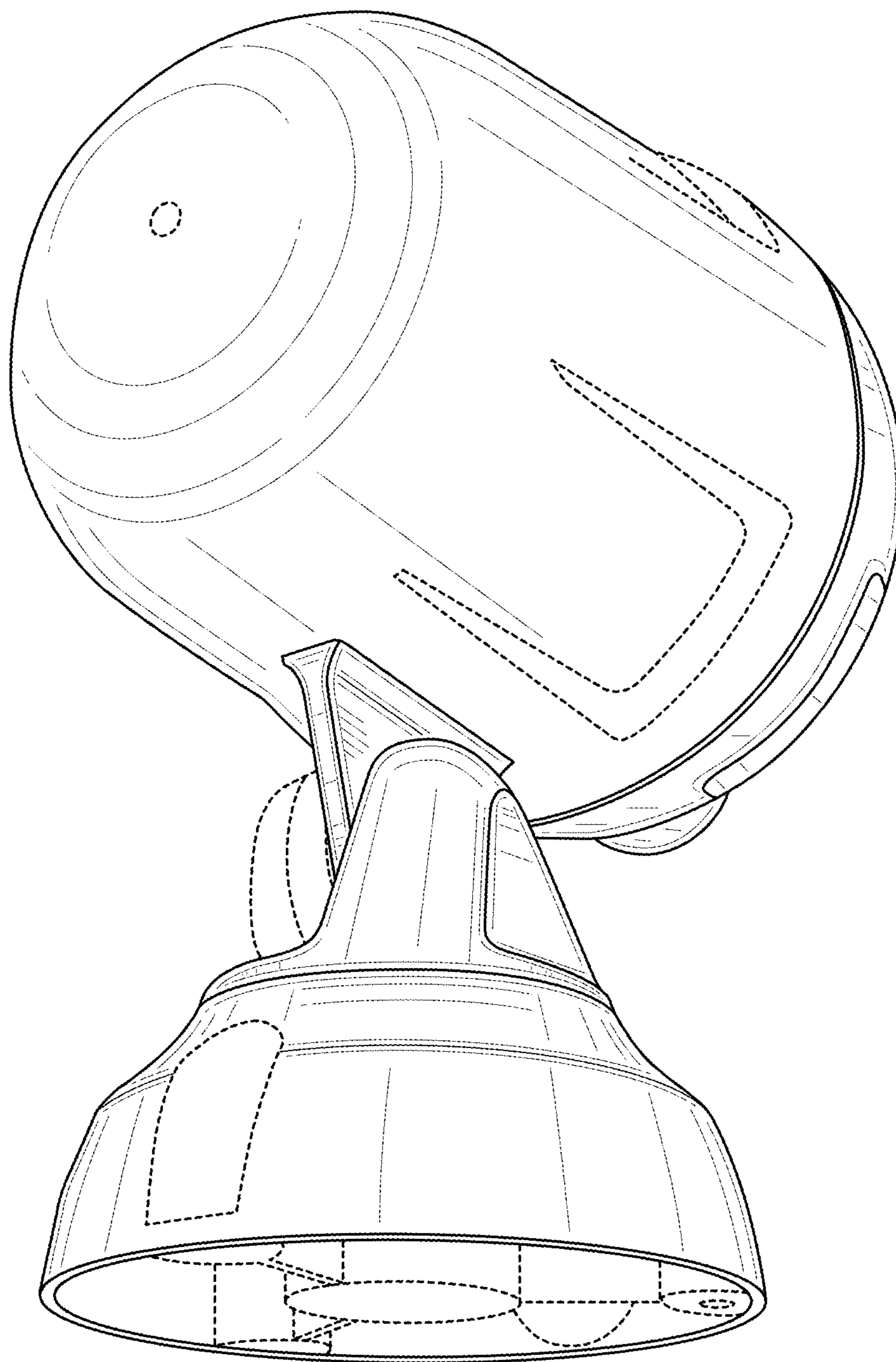


FIG. 2

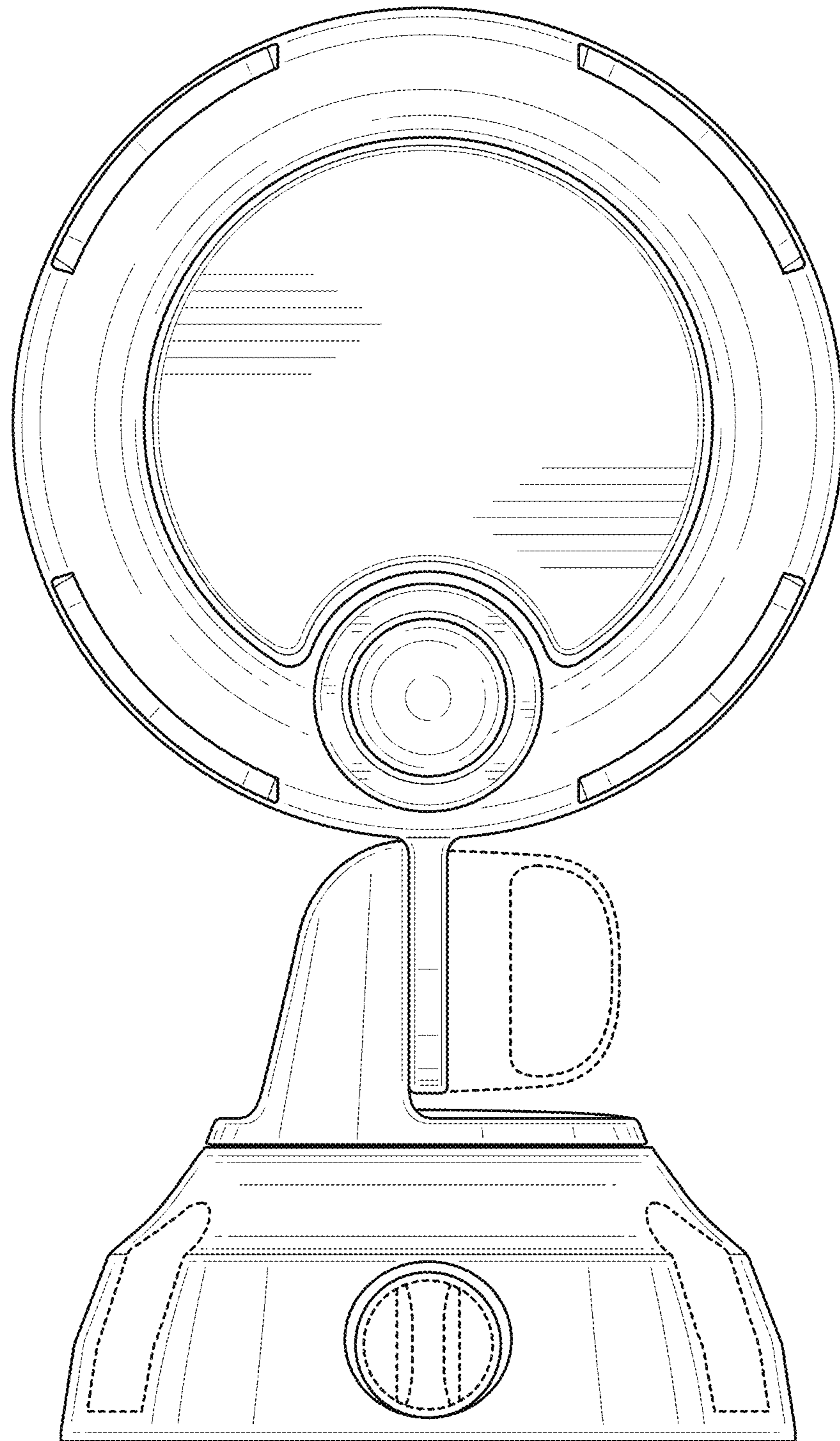


FIG. 3

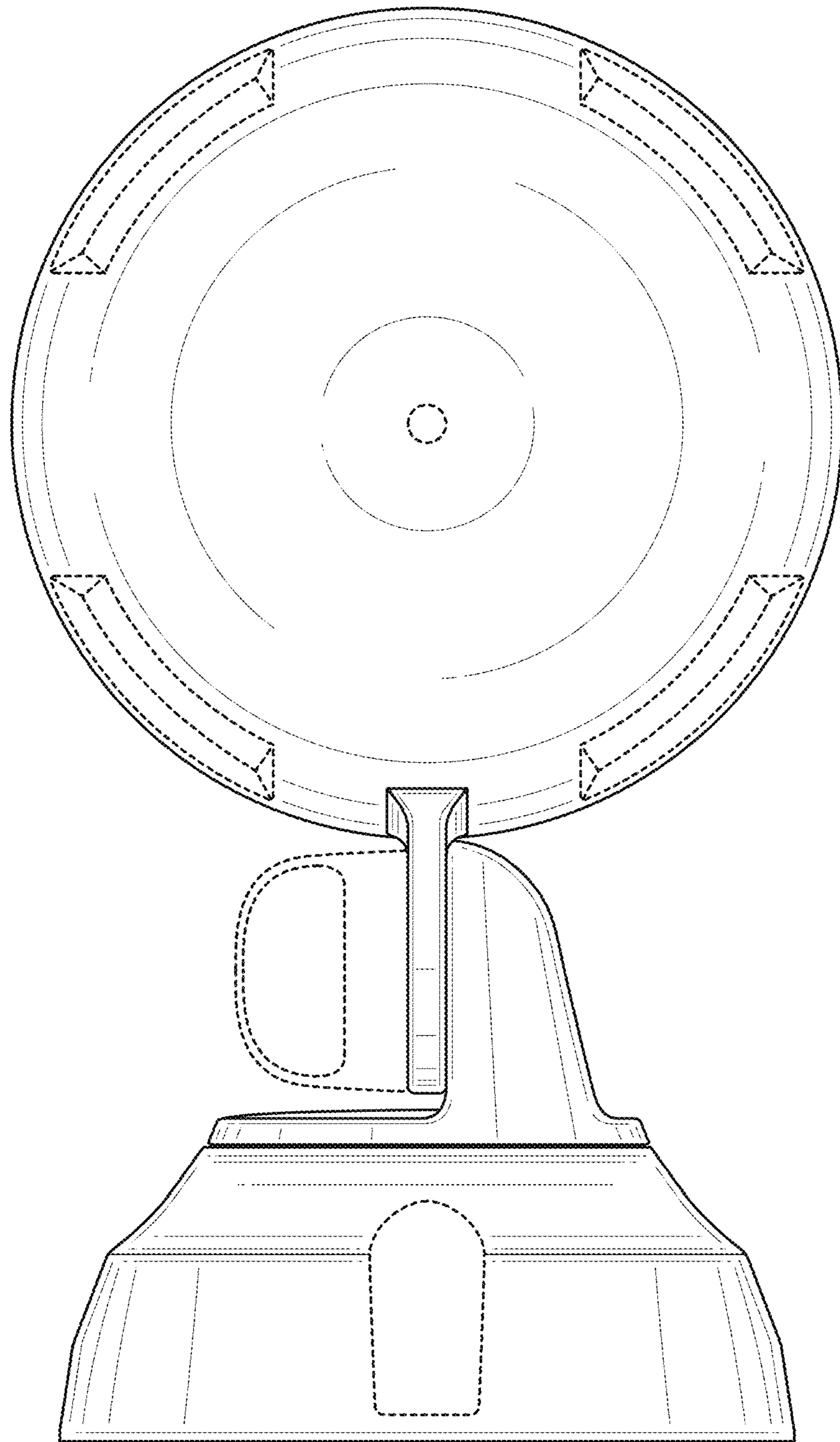


FIG. 4

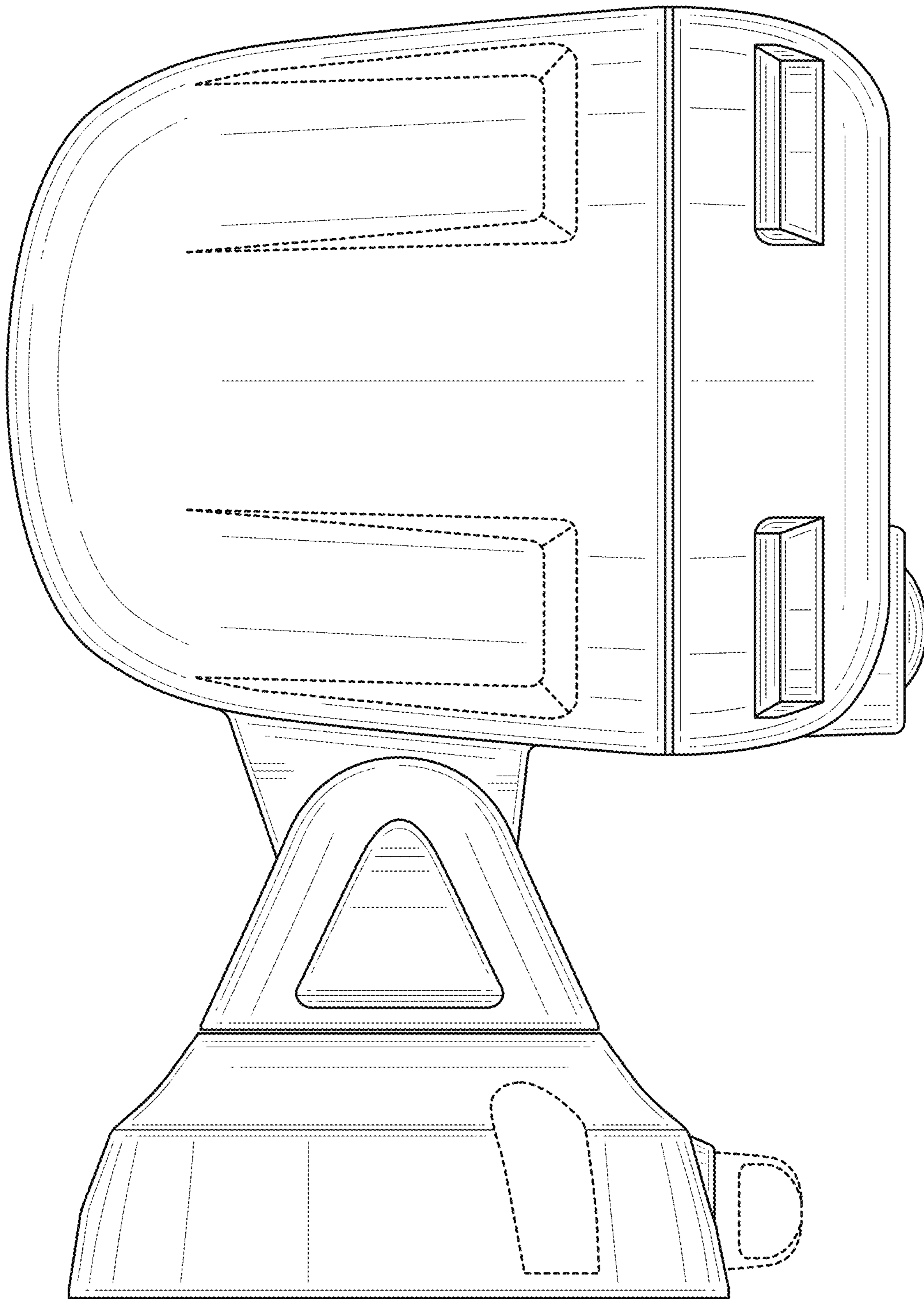


FIG. 5

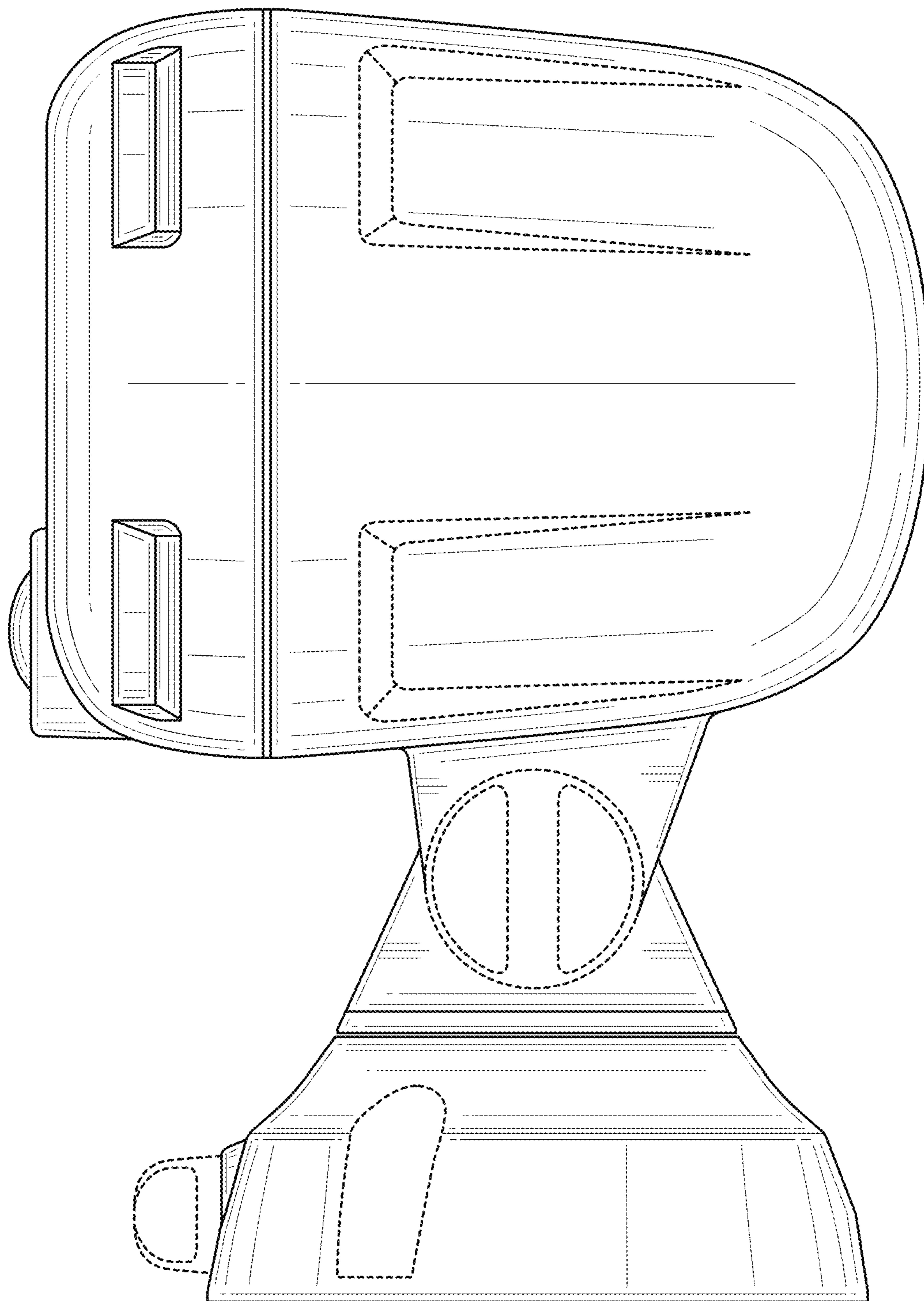


FIG. 6

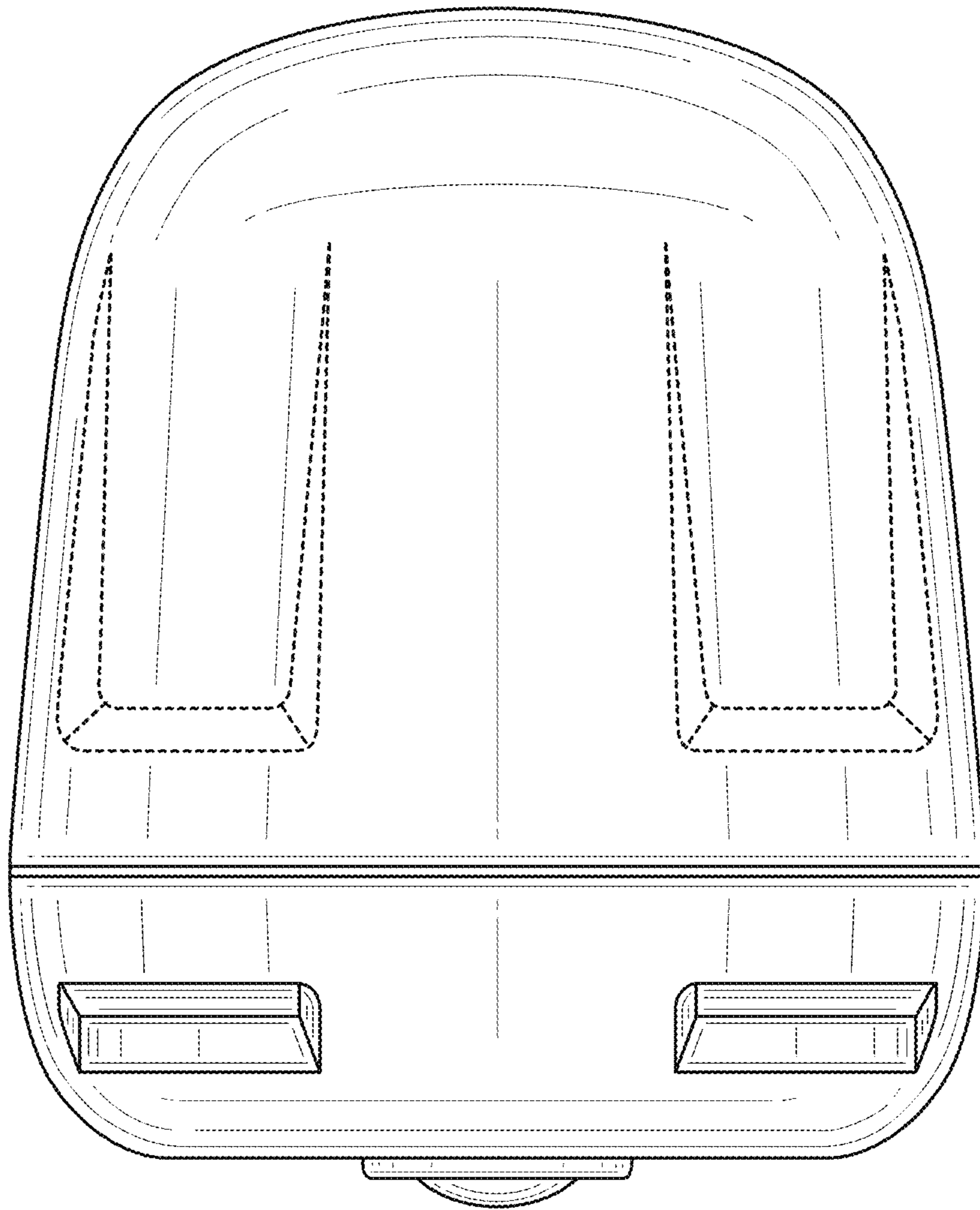


FIG. 7

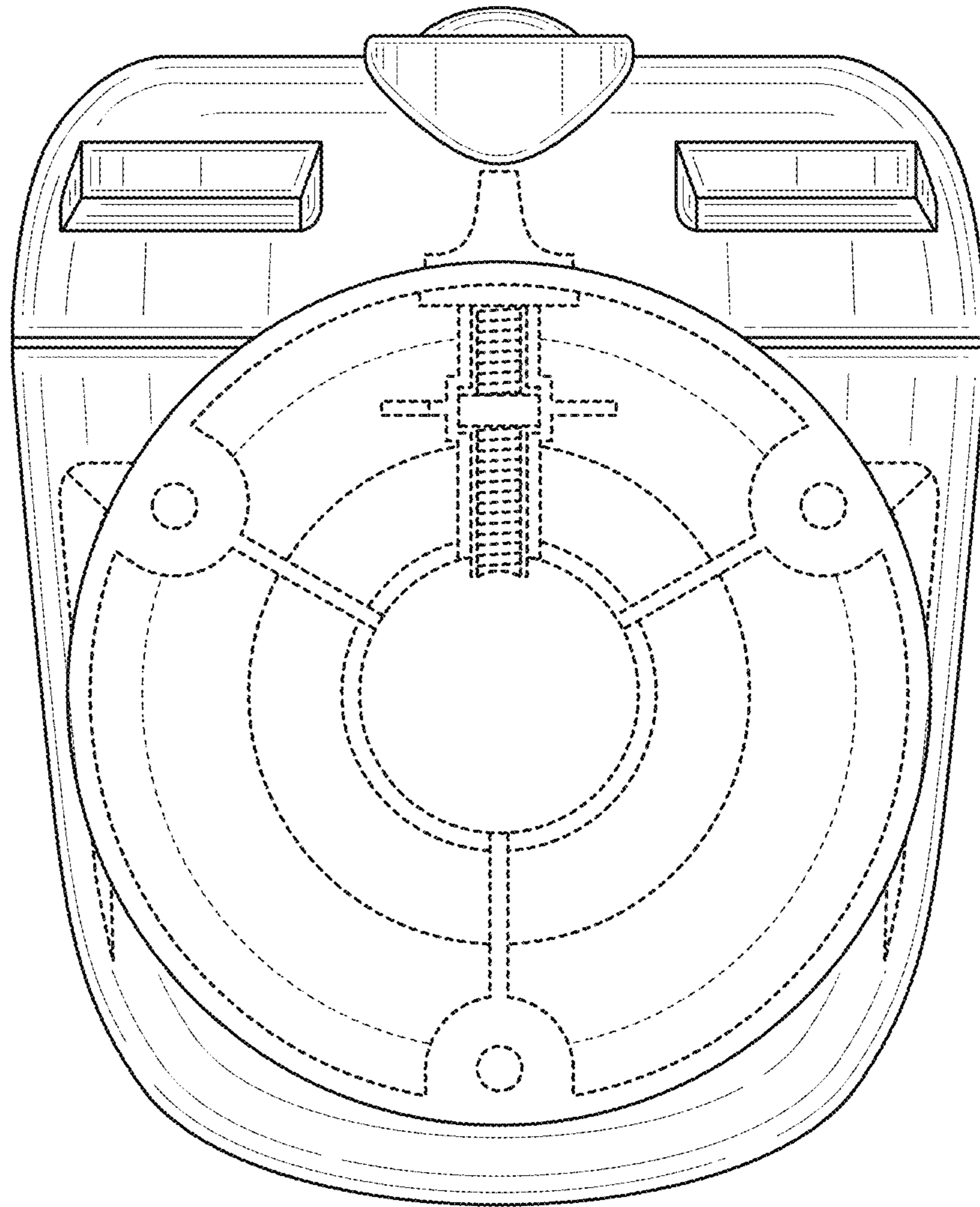


FIG. 8