



US00D806297S

(12) **United States Design Patent**
Du

(10) **Patent No.:** **US D806,297 S**
(45) **Date of Patent:** **** Dec. 26, 2017**

(54) **WATERPROOF GRILL LIGHT**

(71) Applicant: **Mengxin Du**, Guangdong (CN)

(72) Inventor: **Mengxin Du**, Guangdong (CN)

(**) Term: **15 Years**

(21) Appl. No.: **29/607,623**

(22) Filed: **Jun. 14, 2017**

(51) **LOC (10) Cl.** **26-03**

(52) **U.S. Cl.**
USPC **D26/60; D7/402**

(58) **Field of Classification Search**

USPC D26/1, 24, 61, 62, 72, 93, 106, 118, 60;
D7/402

CPC F21S 6/00; F21S 6/002; F21S 6/003; F21S
6/004; F21S 6/005; F21S 6/006; F21S
6/007; F21V 21/02; F21V 21/088; F21W
2121/00; F21W 2131/30

See application file for complete search history.

(56) **References Cited**

U.S. PATENT DOCUMENTS

D376,865 S *	12/1996	Chan	D26/60
D541,965 S *	5/2007	Shiu	D26/60
D574,099 S *	7/2008	Leen	D26/60
D685,510 S *	7/2013	Henry	D26/60

* cited by examiner

Primary Examiner — Brian N. Vinson

(74) *Attorney, Agent, or Firm* — Law Offices of Steven W. Weinrieb

(57) **CLAIM**

The ornamental design for a waterproof grill light, as shown and described.

DESCRIPTION

FIG. 1 is a first perspective view of a waterproof grill light showing my new design;

FIG. 2 is a second perspective view thereof;

FIG. 3 is a front elevational view thereof;

FIG. 4 is a rear elevational view thereof;

FIG. 5 is a left side view thereof;

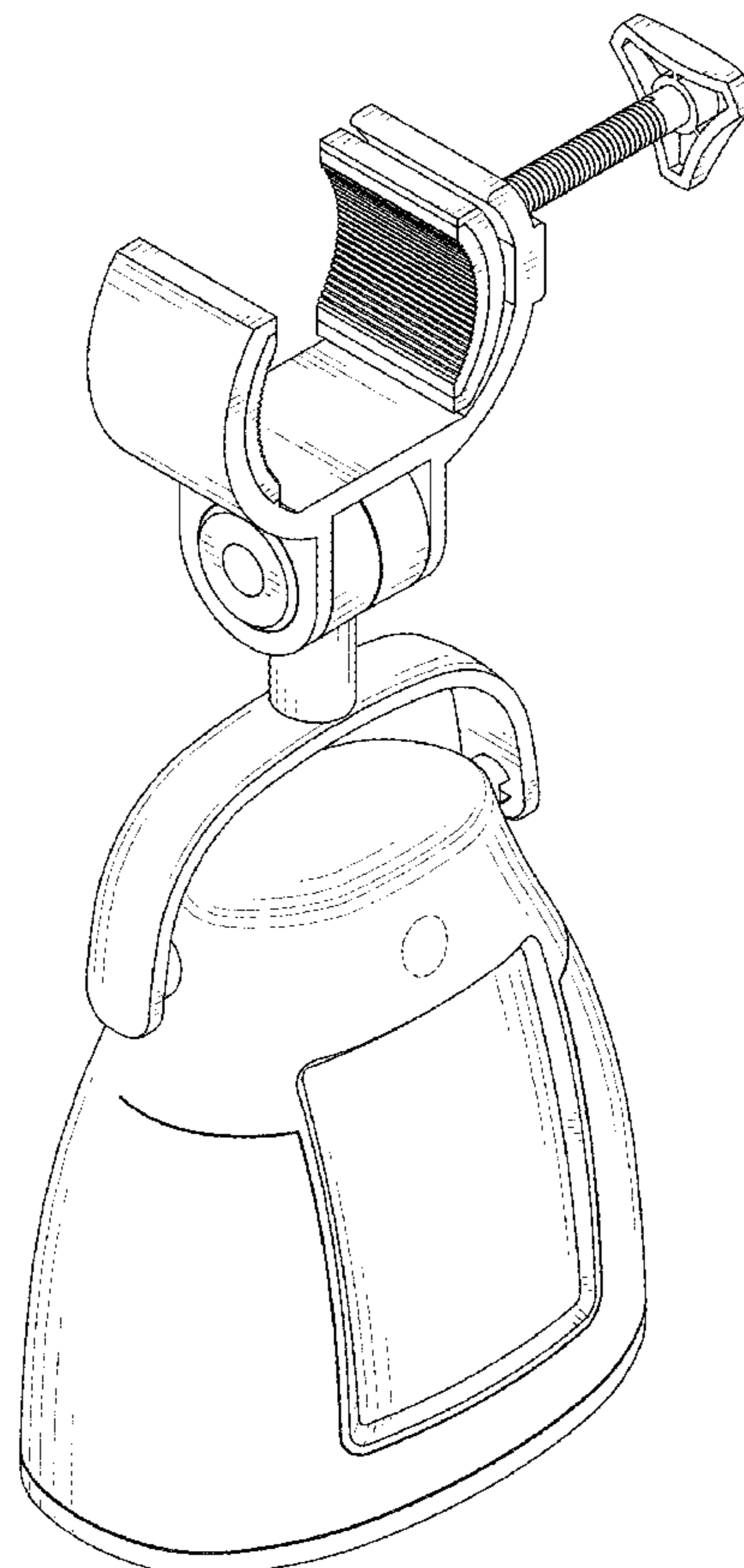
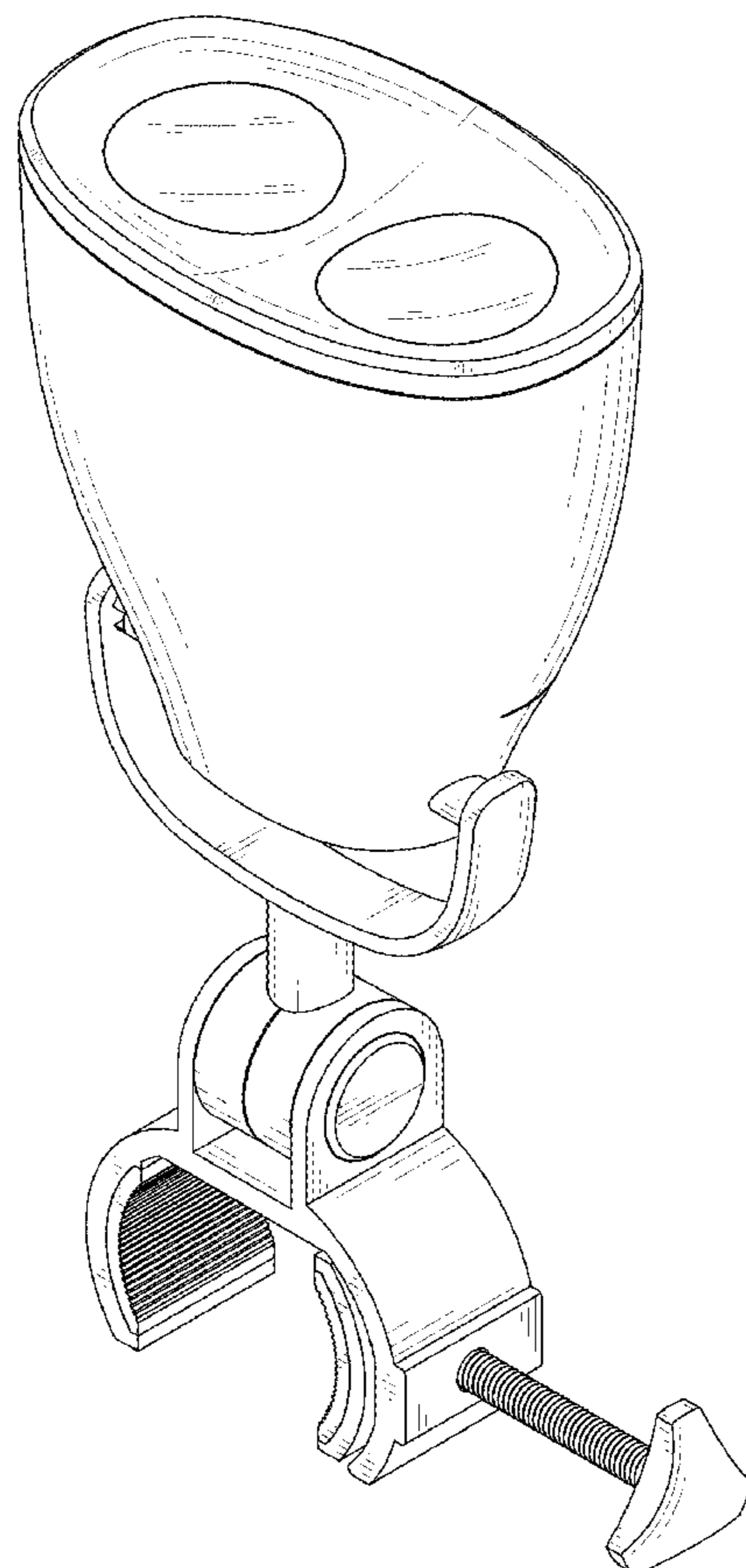
FIG. 6 is a right side view thereof;

FIG. 7 is a top plan view thereof; and,

FIG. 8 is a bottom plan view thereof.

The broken lines in the drawings illustrate portions of the waterproof grill light which form no part of the claimed design. The diagonal lines indicate transparency.

1 Claim, 8 Drawing Sheets



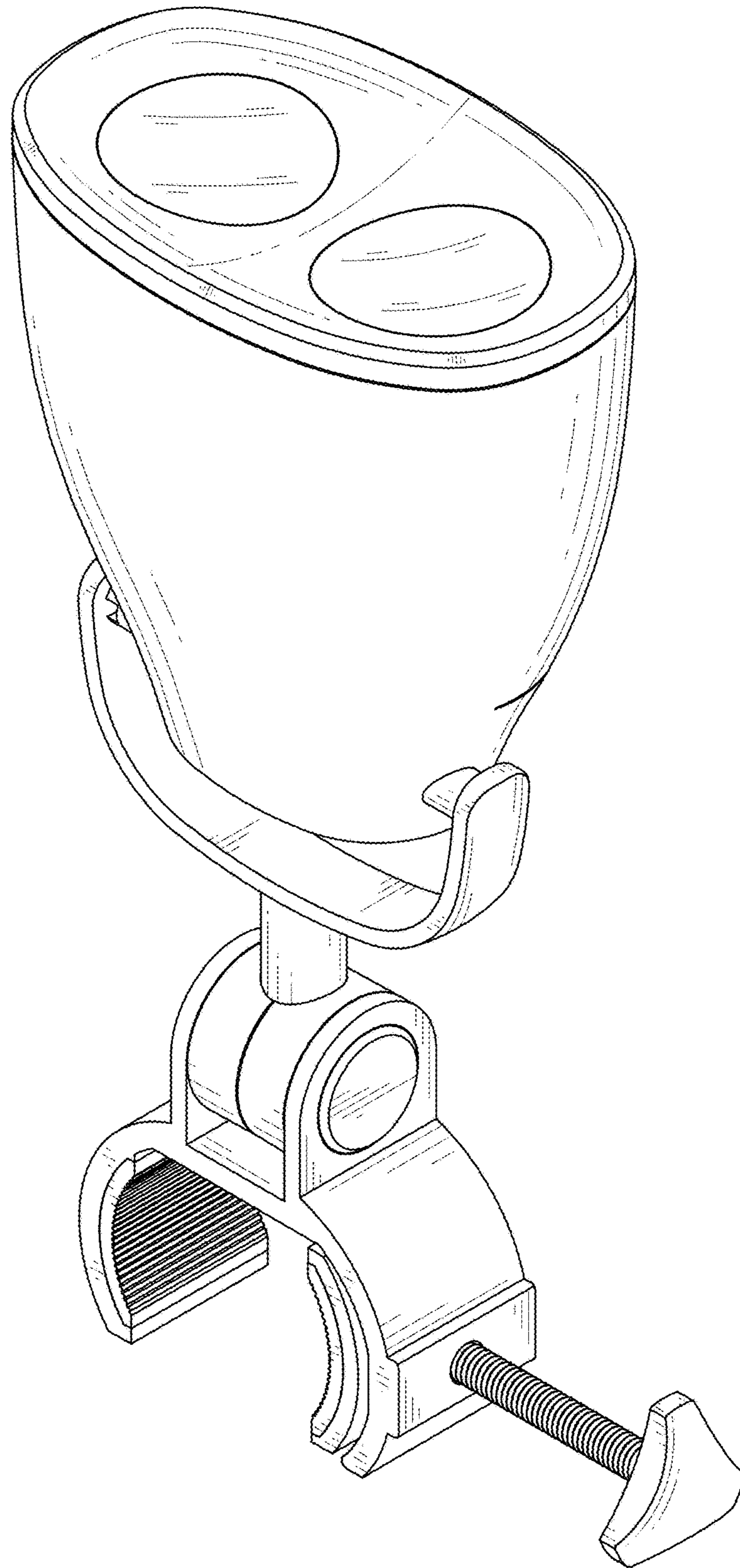


FIG. 1

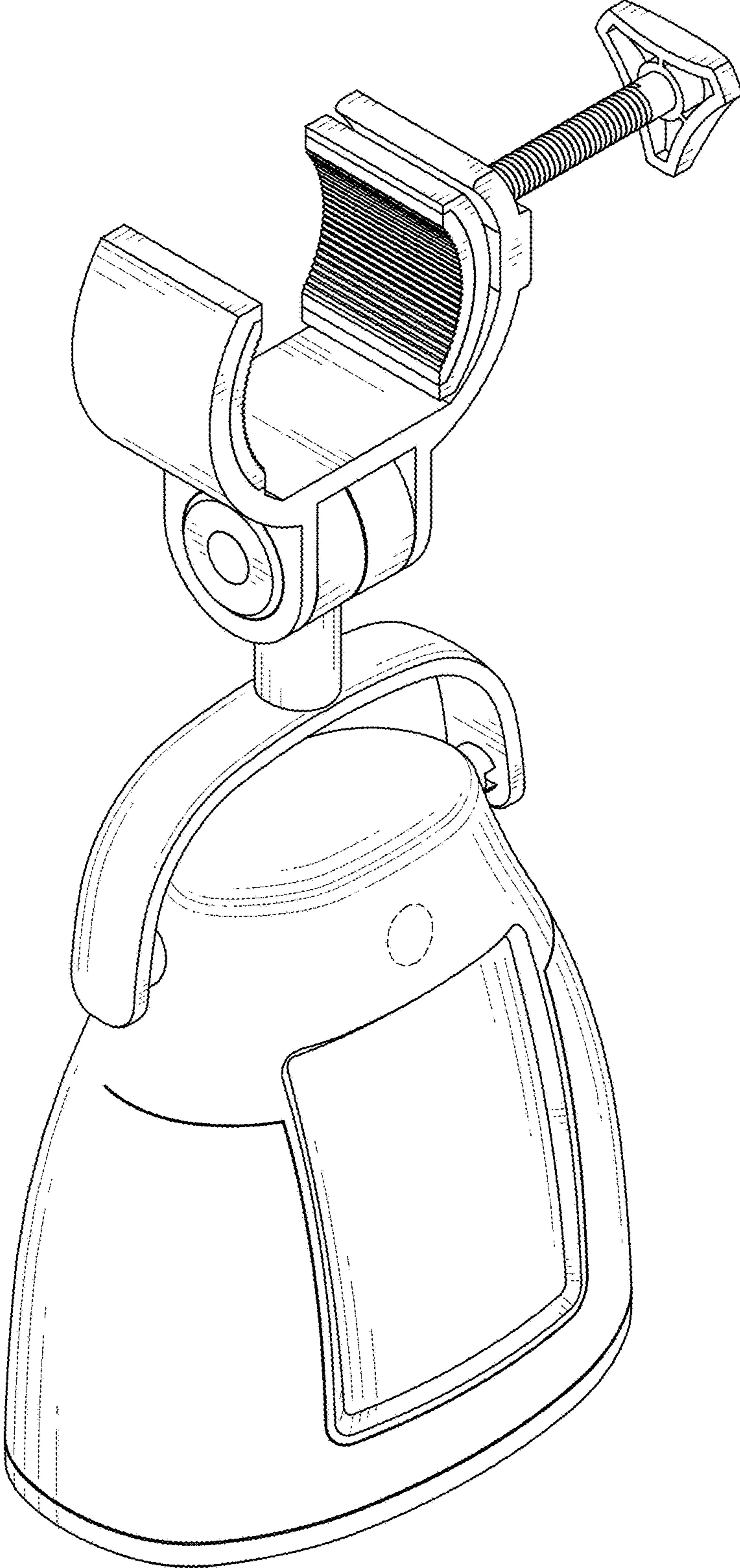


FIG. 2

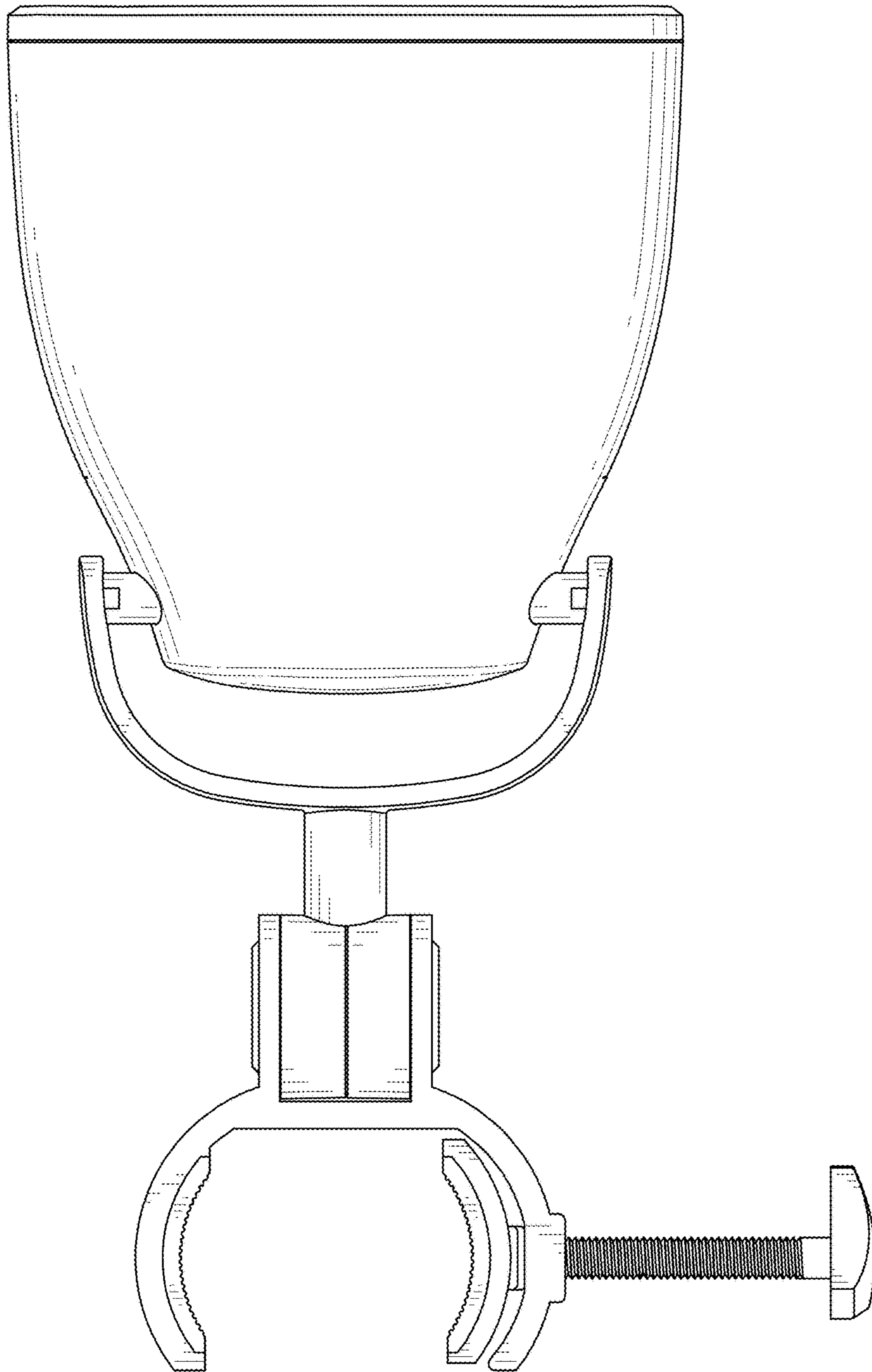


FIG. 3

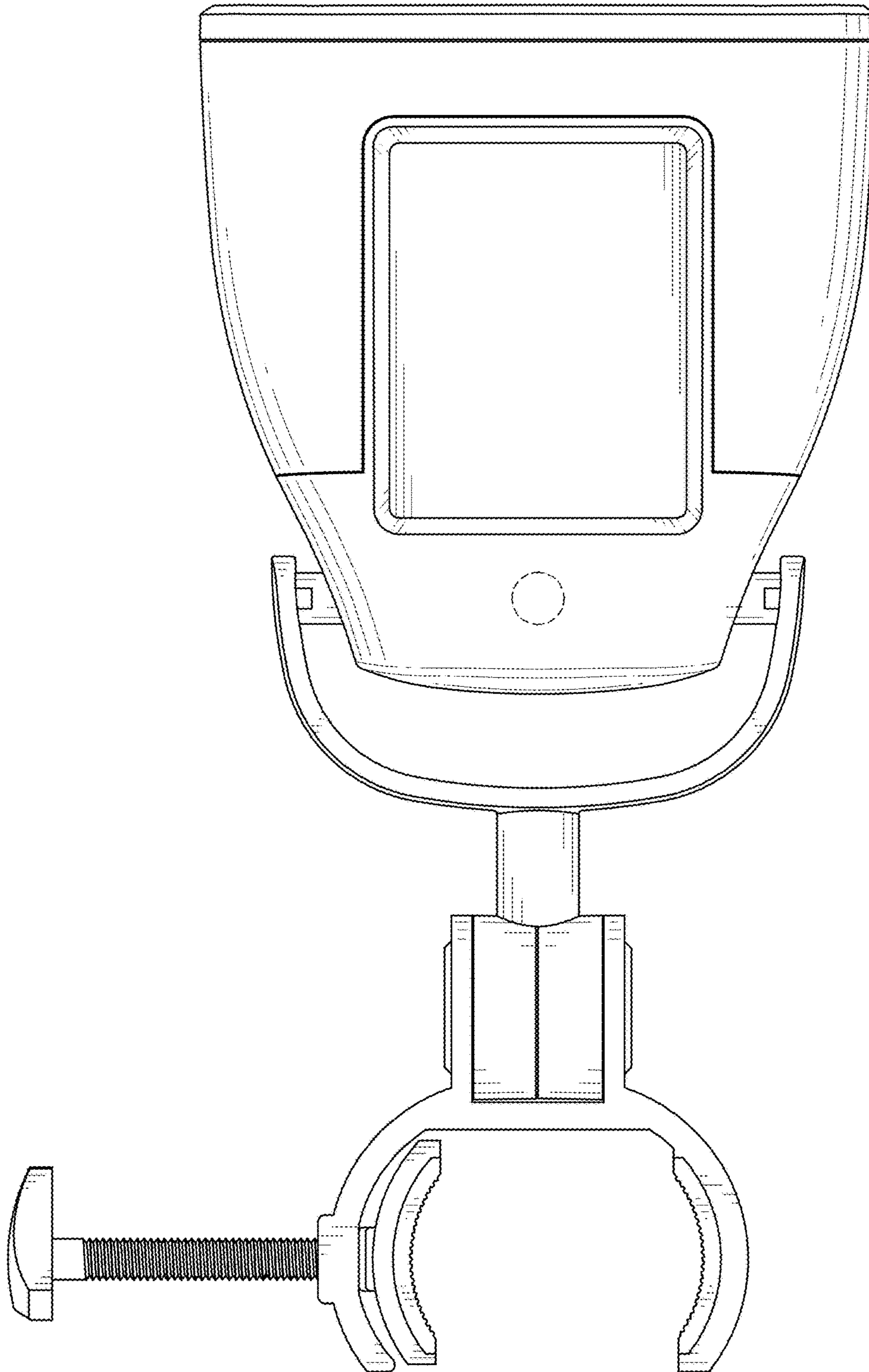


FIG. 4

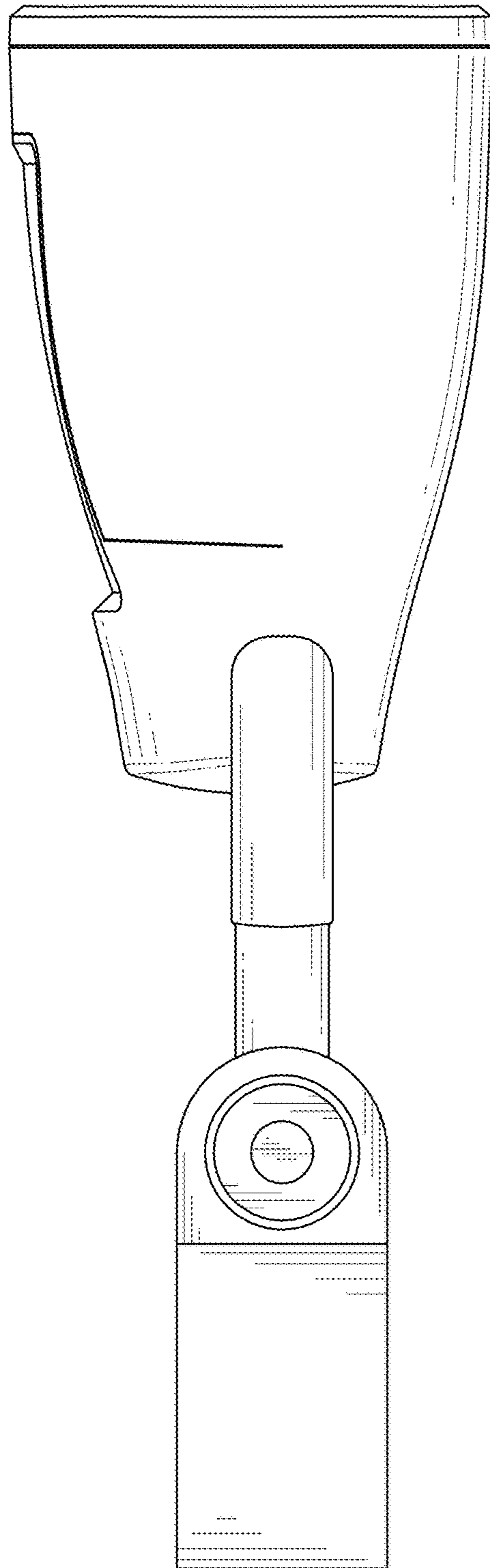


FIG. 5

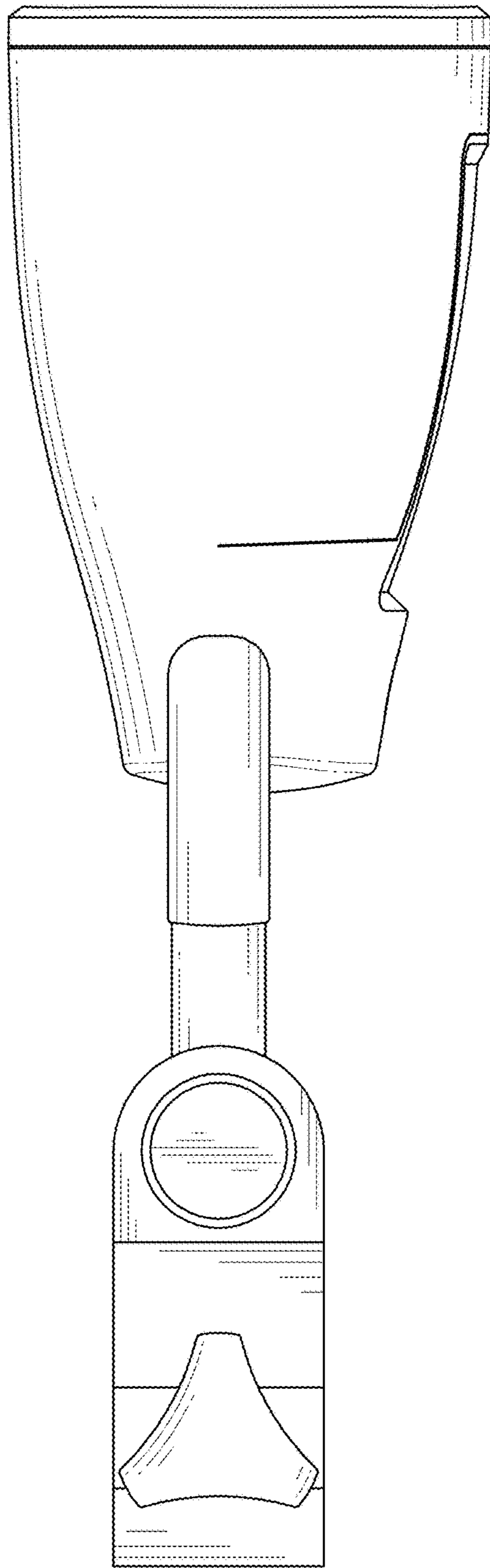


FIG. 6

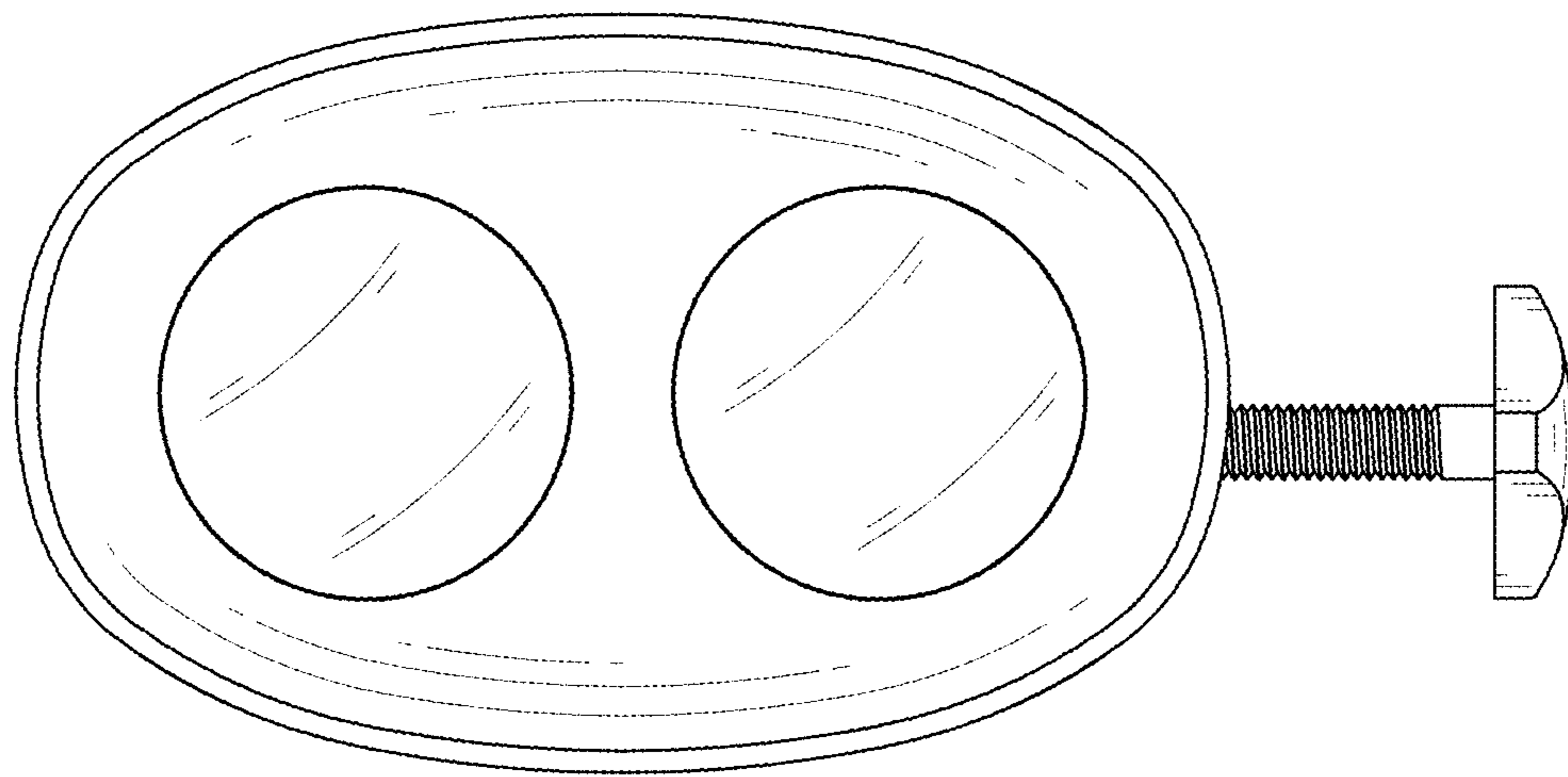


FIG. 7

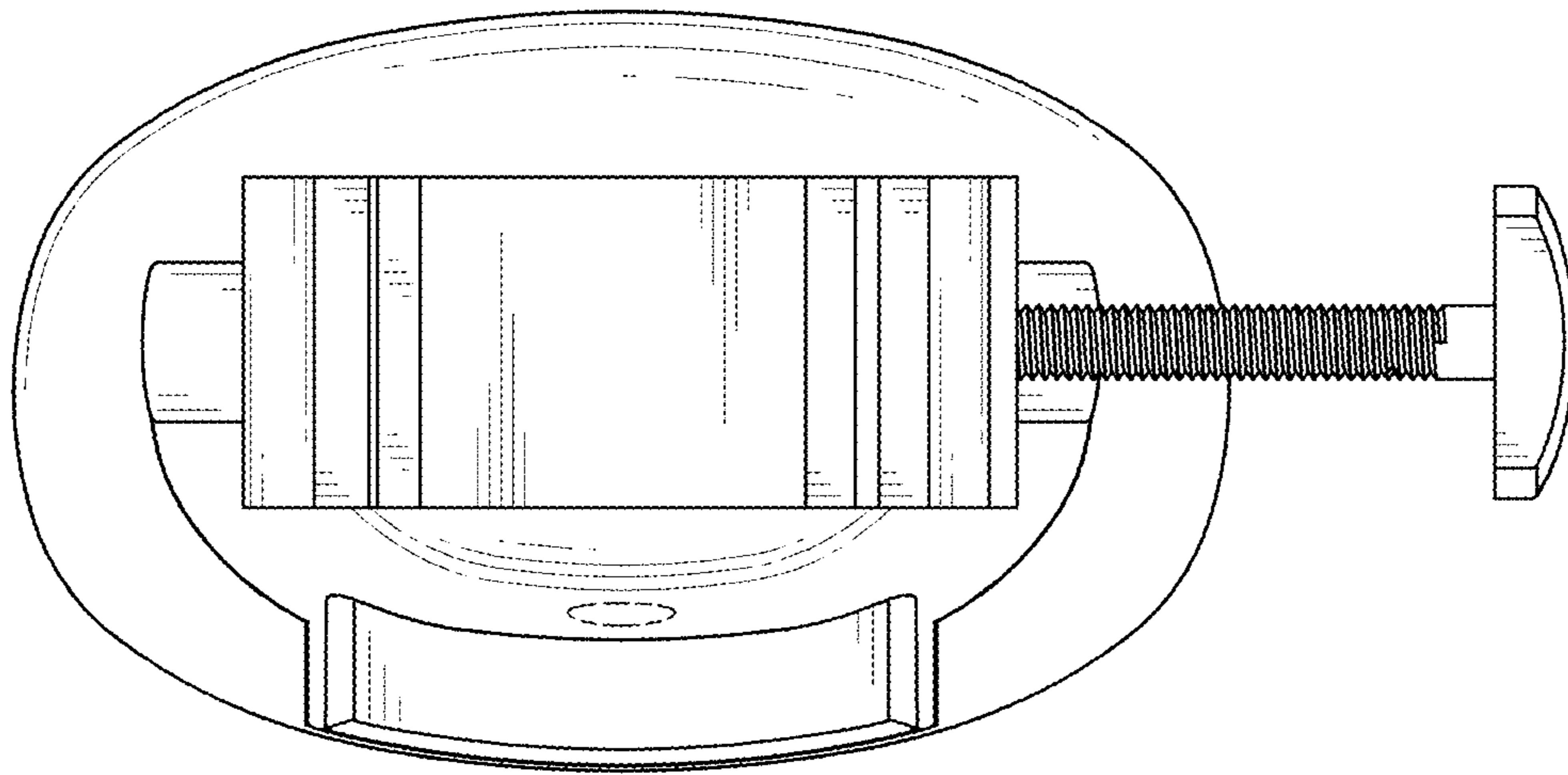


FIG. 8