



US00D806296S

(12) **United States Design Patent** (10) **Patent No.:** **US D806,296 S**
Mathers (45) **Date of Patent:** **** Dec. 26, 2017**

(54) **LIGHT FIXTURE**
(71) Applicant: **Gary E. Mathers**, Cumberland, RI (US)
(72) Inventor: **Gary E. Mathers**, Cumberland, RI (US)
(**) Term: **15 Years**
(21) Appl. No.: **29/545,879**
(22) Filed: **Nov. 17, 2015**
(51) **LOC (10) Cl.** **26-02**
(52) **U.S. Cl.**
USPC **D26/51**
(58) **Field of Classification Search**
USPC D26/38, 51; D23/239, 238; D7/301, 398
CPC F21L 2003/00; F21L 4/00; F21L 4/005;
F21L 4/02; F21L 4/025; F21L 4/027;
F21L 4/04; F21L 4/08; F21L 2005/00;
F21L 7/00; F21L 11/00; F21L 13/00;
F21L 13/04; F21L 13/08; F21L 14/02;
F21L 17/00; F21L 19/00
See application file for complete search history.

D472,762 S * 4/2003 Song D7/397
D483,609 S * 12/2003 Guadalupi D7/397
D593,184 S * 5/2009 Gloor D23/238
D596,710 S * 7/2009 Starck D23/238
D719,291 S * 12/2014 Thomas D26/94
D757,904 S * 5/2016 Rexach D23/238

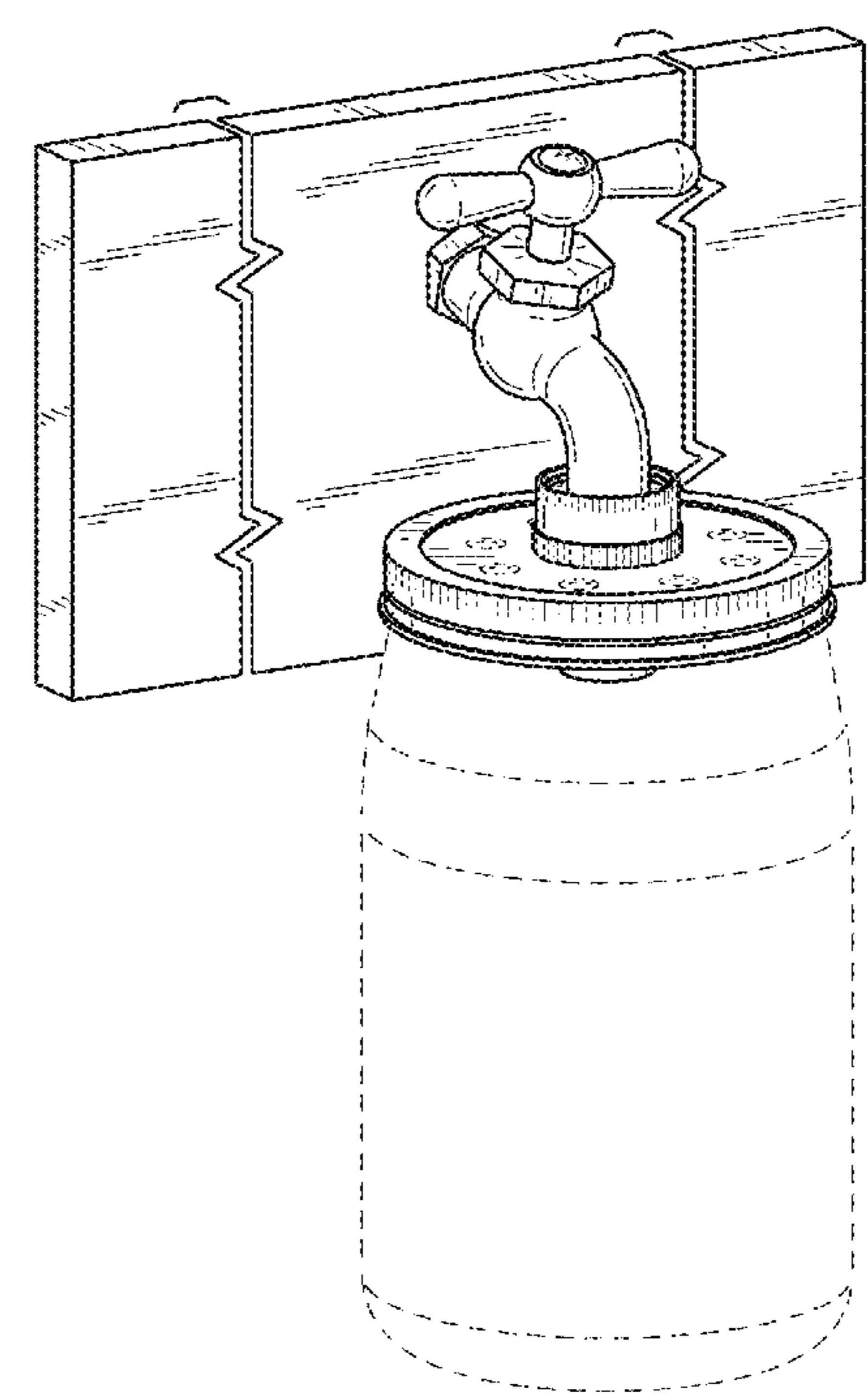
* cited by examiner
Primary Examiner — Lakiya Rogers
Assistant Examiner — Carissa C Fitts
(74) *Attorney, Agent, or Firm* — Dunlap Bennett & Ludwig PLLC

(56) **References Cited**
U.S. PATENT DOCUMENTS
D69,522 S * 2/1926 Lutscky et al. D7/398
D92,986 S * 8/1934 Stilwell D7/301
D194,900 S * 3/1963 Knight D23/213
D273,453 S * 4/1984 Knopf D7/398
D342,119 S * 12/1993 Shieh D23/213
D411,072 S * 6/1999 Roundtree D7/307
D470,225 S * 2/2003 Xie D23/238

(57) **CLAIM**
The ornamental design for a light fixture, as shown and described.

DESCRIPTION
FIG. 1 is a front perspective view of a light fixture;
FIG. 2 is a front elevation view thereof; the rear elevation view being a mirror image thereof;
FIG. 3 is a left side elevation view thereof;
FIG. 4 is a right side elevation view thereof;
FIG. 5 is a top plan view thereof; and,
FIG. 6 is a bottom plan view thereof.
The broken lines shown in the drawings depict portions of the light fixture that form no part of the claimed design.
The base shown in FIGS. 1-3, 5 and 6 of the drawings are shown broken away to indicate indeterminate length, it being understood that the base a uniform shape and appearance throughout its length.

1 Claim, 3 Drawing Sheets



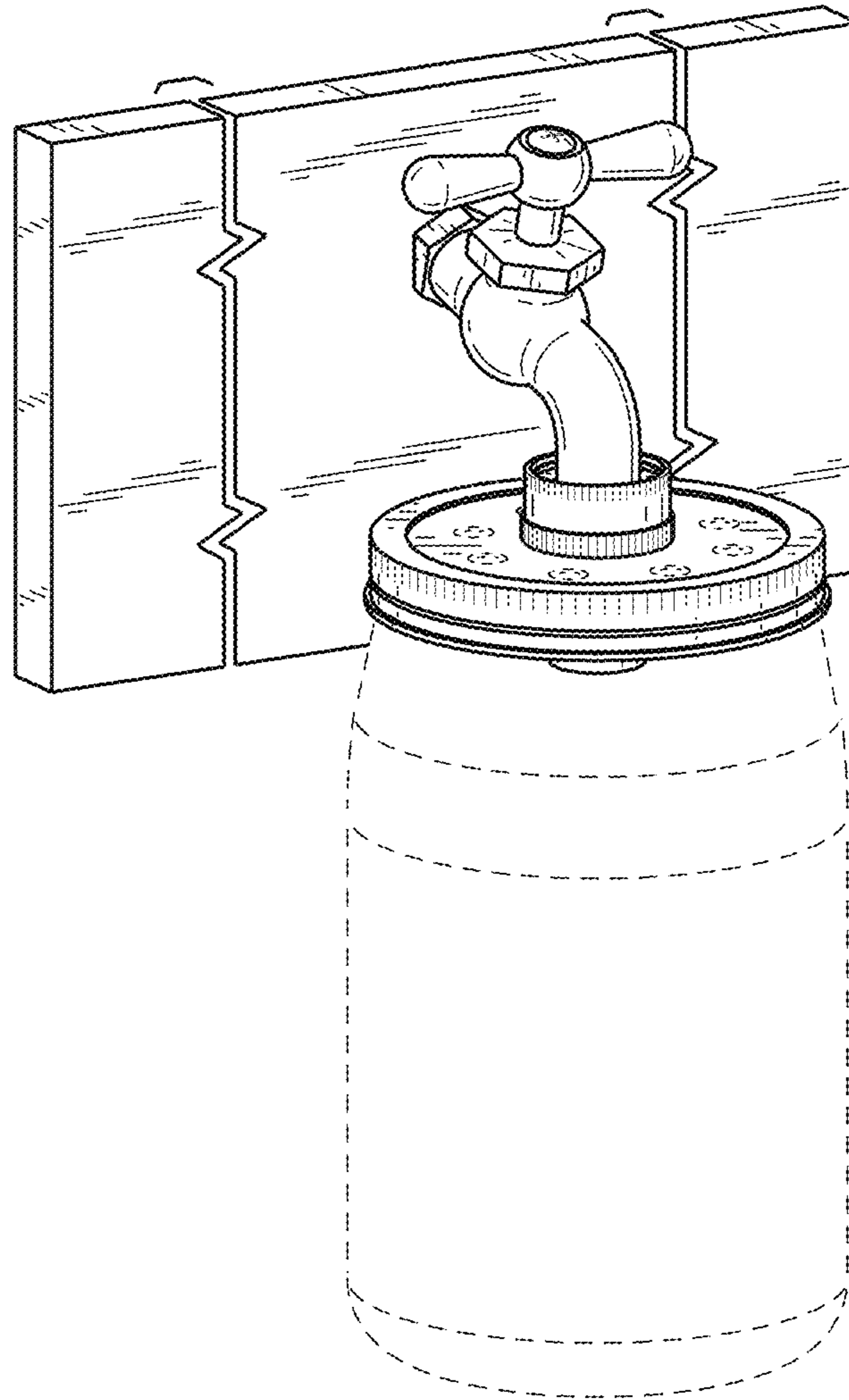


FIG. 1

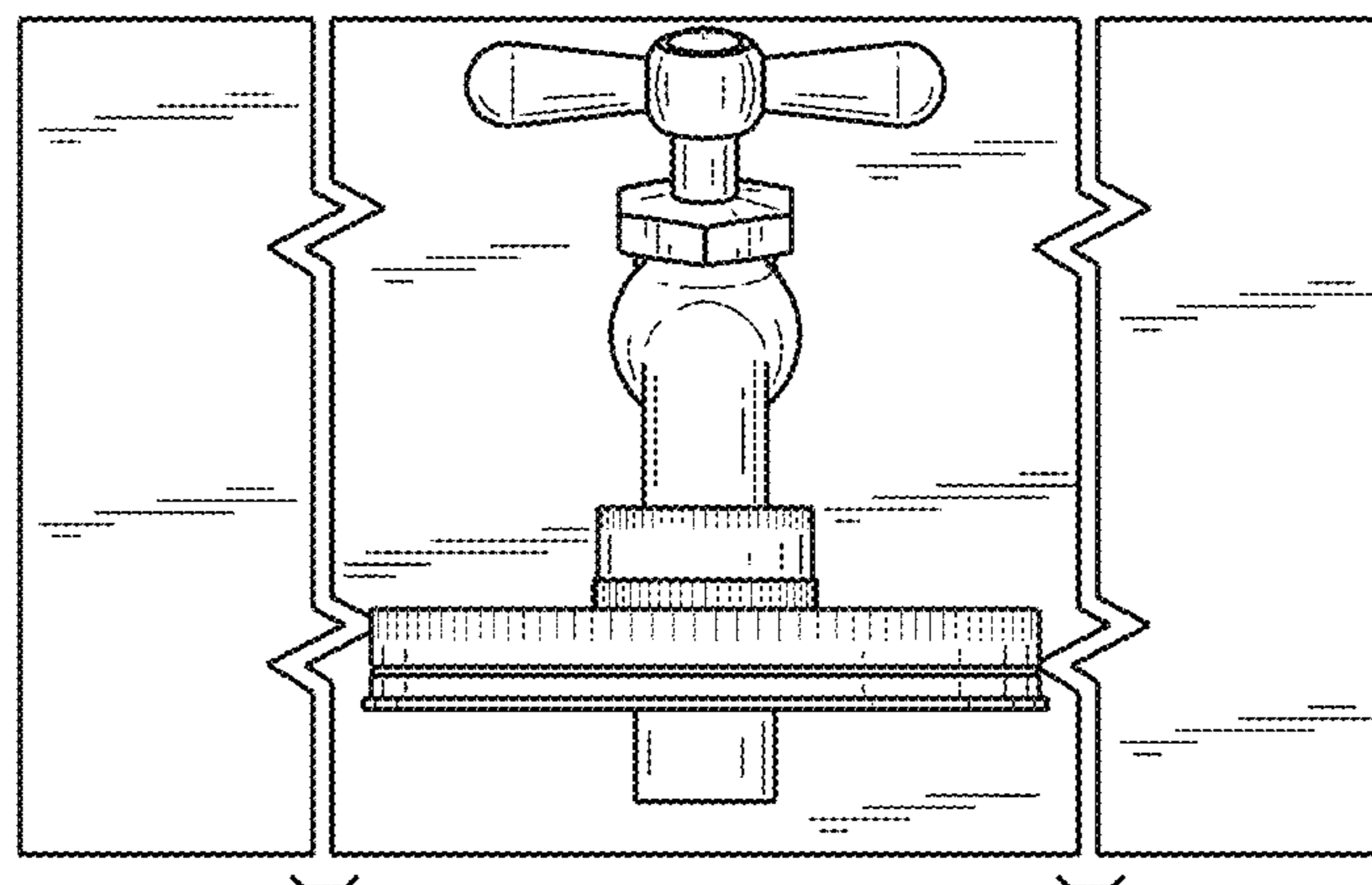


FIG. 2

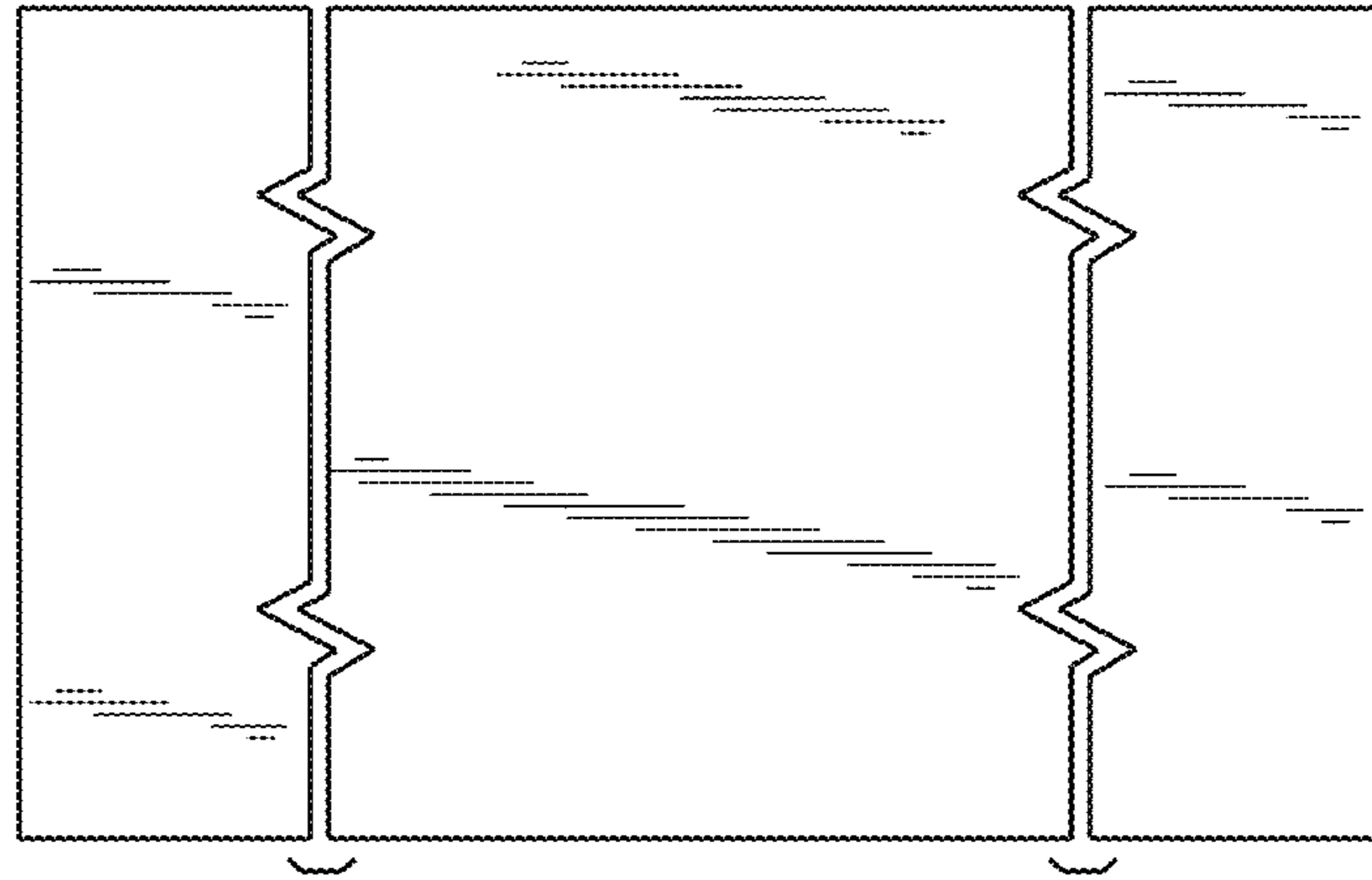


FIG. 3

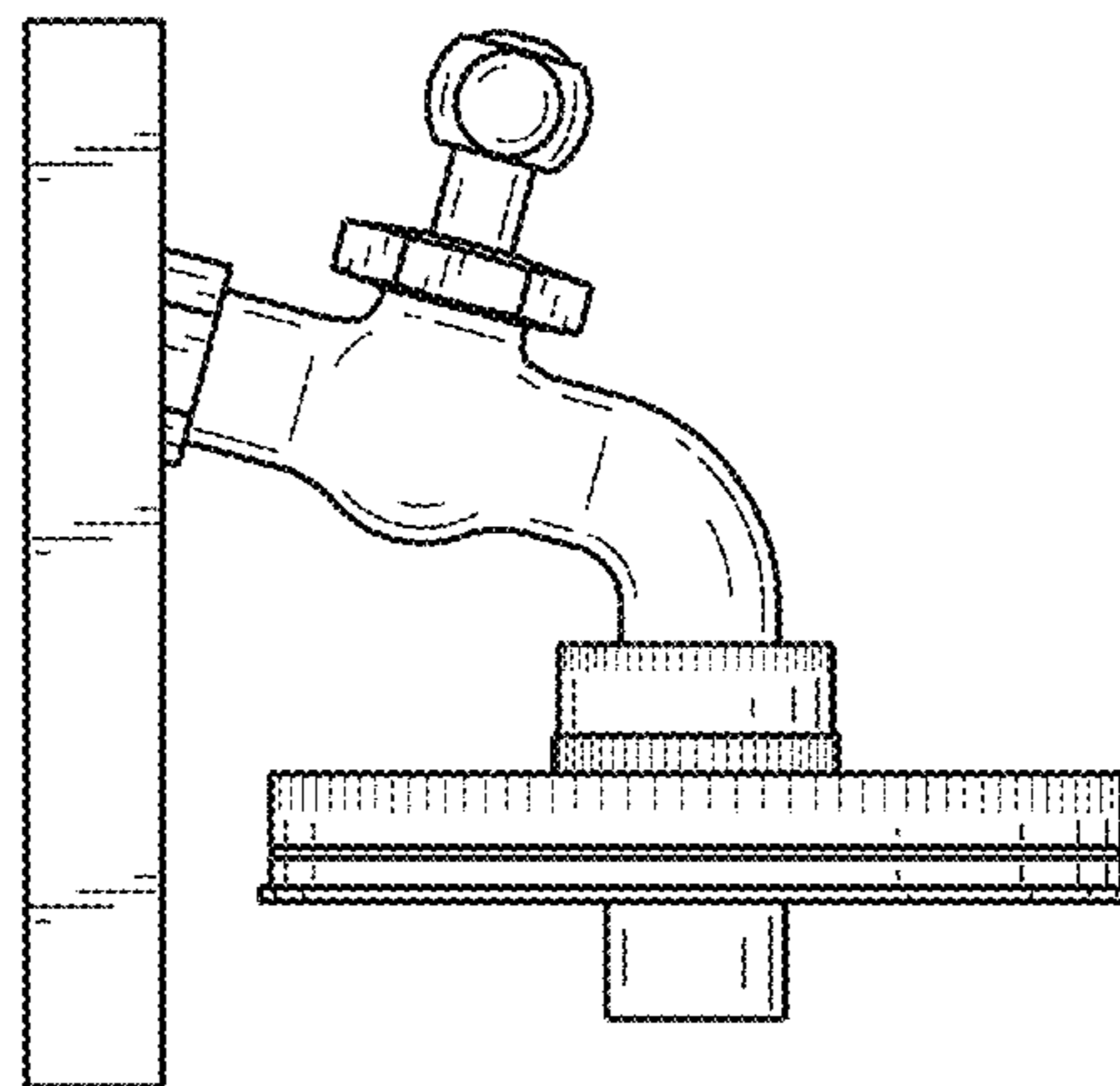


FIG. 4

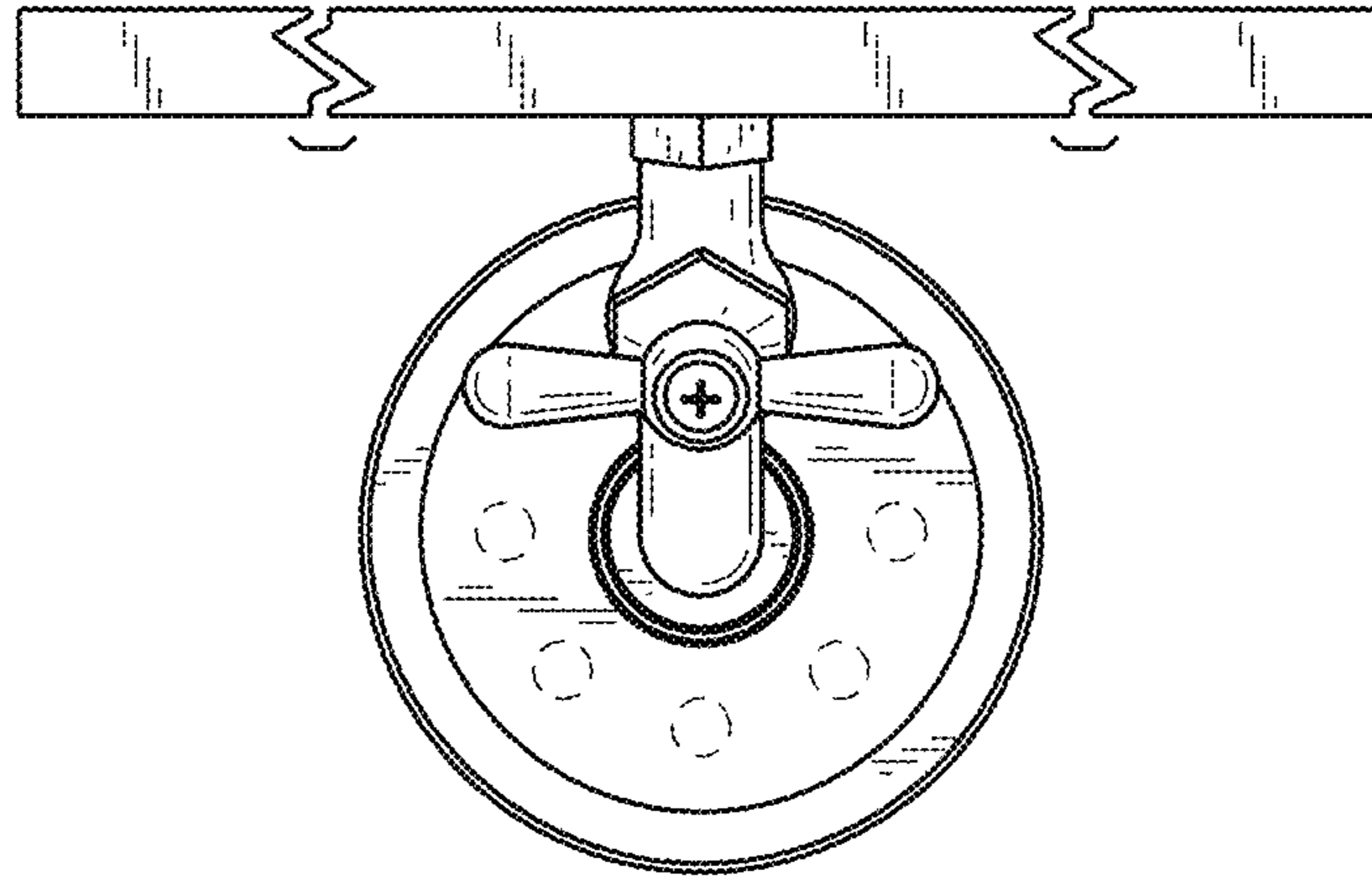


FIG. 5

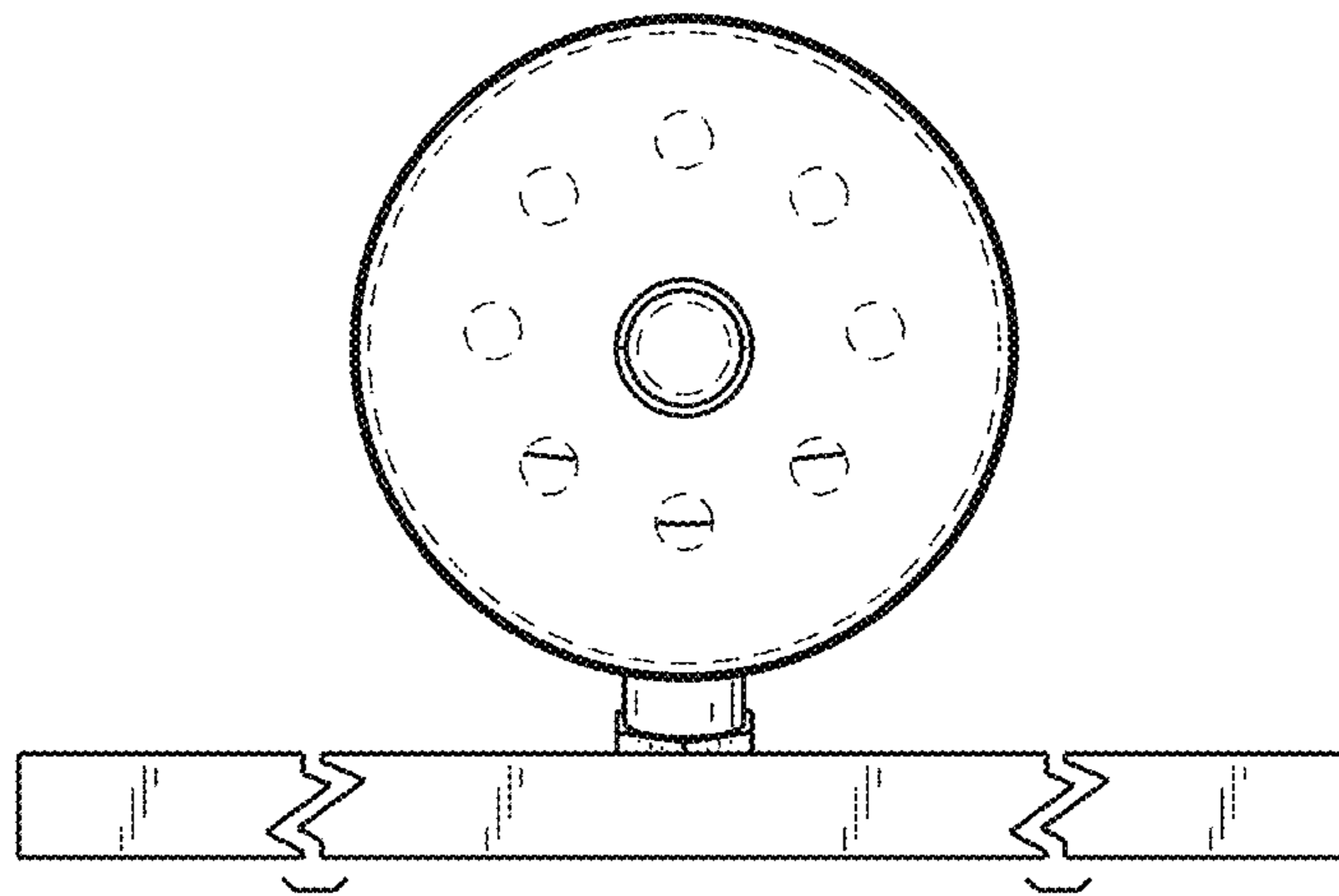


FIG. 6