



US00D806295S

(12) **United States Design Patent**
Kang et al.

(10) **Patent No.:** **US D806,295 S**

(45) **Date of Patent:** **** Dec. 26, 2017**

(54) **HANDHELD FLASHLIGHT**

(71) Applicant: **Energizer Brands, LLC**, Saint Louis, MO (US)

(72) Inventors: **Donwoong Kang**, Camillus, NY (US);
Jonathan A. Fitch, Skaneateles, NY (US)

(73) Assignee: **Energizer Brands, LLC**, St. Louis, MO (US)

(**) Term: **15 Years**

(21) Appl. No.: **29/547,583**

(22) Filed: **Dec. 4, 2015**

(51) **LOC (10) Cl.** **26-02**

(52) **U.S. Cl.**
USPC **D26/49**

(58) **Field of Classification Search**
USPC D26/37, 49, 38, 42, 46, 50, 362, 36, 48,
D26/123, 128, 137, 43; 362/208, 800,
362/203, 202; D9/500, 504
CPC F21L 7/00; F21L 21/00; F21L 2/00; F21L
17/00; F21L 4/00; F21L 26/00; F21Y
2101/00; F21Y 2115/10; F21K 9/00;
F21W 2111/10

See application file for complete search history.

(56) **References Cited**

U.S. PATENT DOCUMENTS

2,253,952	A *	8/1941	Desimone	F21L 4/00 340/321
D140,335	S *	2/1945	Chapman	D26/37
D208,940	S *	10/1967	Moore	D26/37
D229,120	S *	11/1973	Bell	D26/49
4,135,230	A *	1/1979	Armbruster	F21L 15/06 362/202
4,415,954	A *	11/1983	Schaefer	F21L 2/00 362/189

D298,659	S *	11/1988	Burns	D26/46
4,823,242	A *	4/1989	Maglica	F21L 4/005 200/60
4,843,526	A *	6/1989	Price, III	F21L 2/00 200/60
D357,760	S *	4/1995	Osiecki	D26/49
D368,318	S *	3/1996	Furth	D26/49
D395,719	S *	6/1998	Concari	D26/37
5,806,961	A *	9/1998	Dalton	F21L 4/025 362/183
D403,469	S *	12/1998	Driscoll	D19/184
5,865,525	A *	2/1999	Kibler	F21L 15/02 362/187
D423,129	S *	4/2000	Nakagawa	D26/49
D423,704	S *	4/2000	Man	D26/46
D428,173	S *	7/2000	Lynch	D26/42

(Continued)

FOREIGN PATENT DOCUMENTS

EM 000185798-0001 * 8/2004

Primary Examiner — Lakiya Rogers

Assistant Examiner — Altaira Swangin

(74) *Attorney, Agent, or Firm* — Alston & Bird LLP

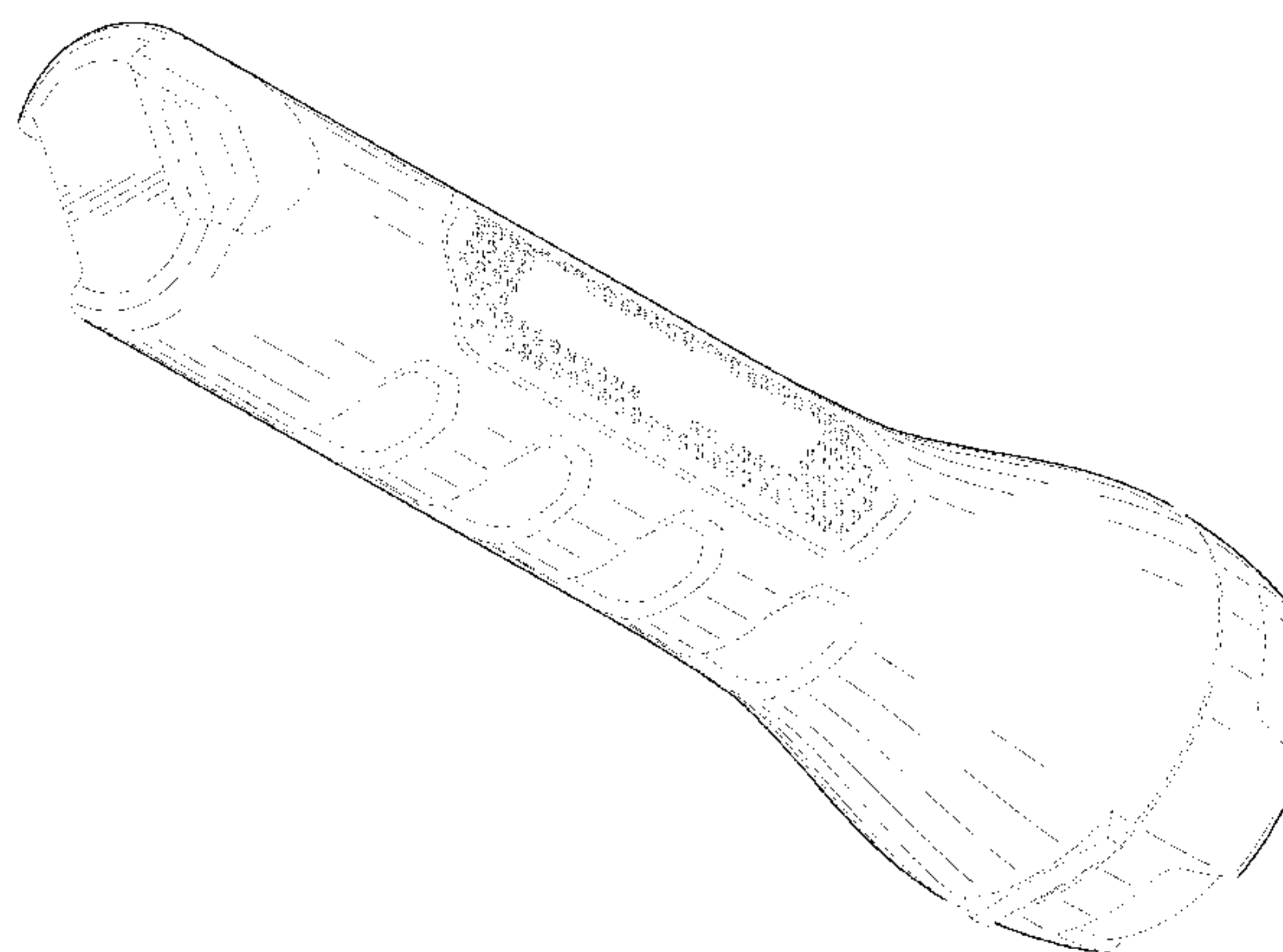
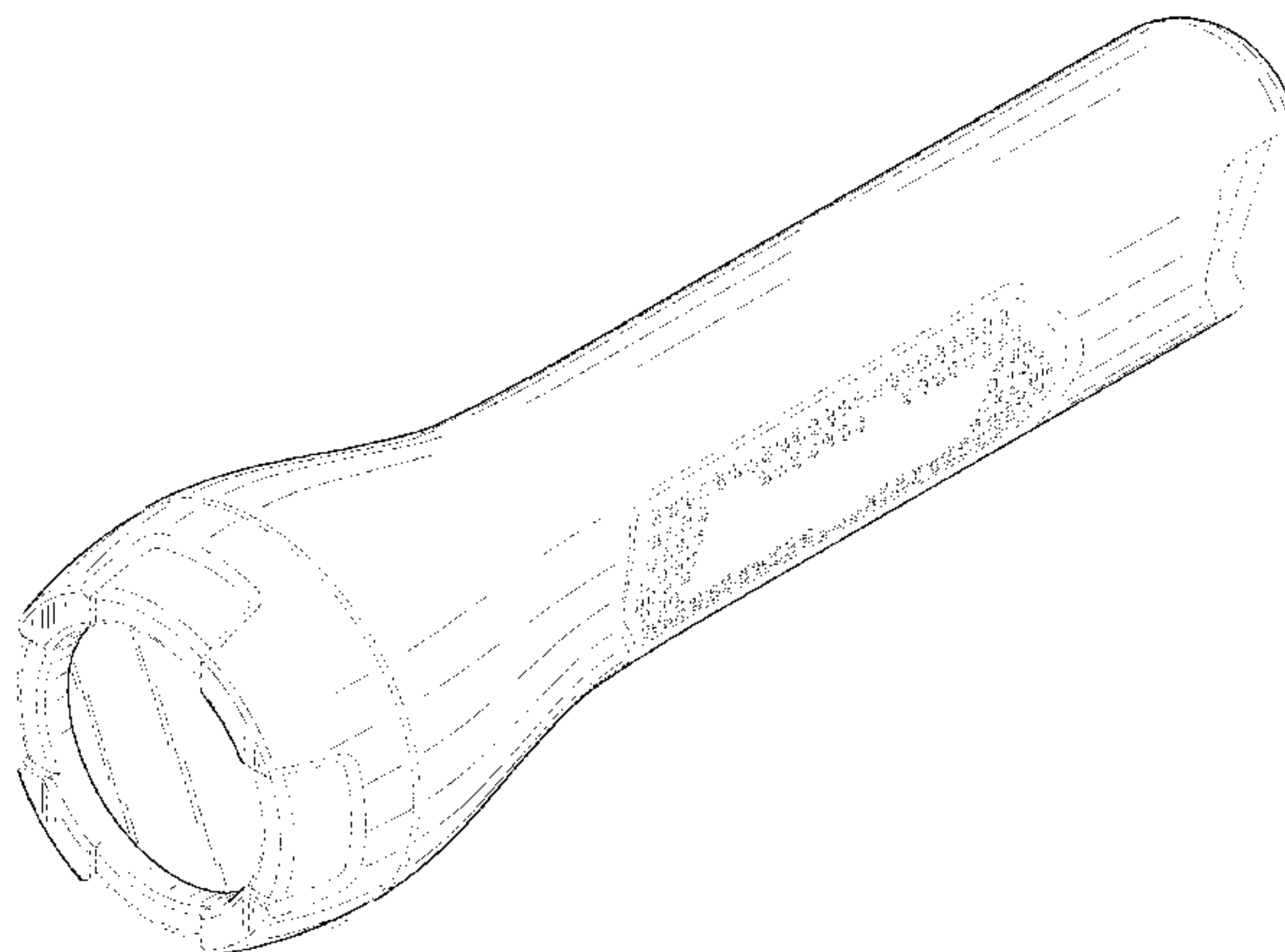
(57) **CLAIM**

The ornamental design for a handheld flashlight, as shown and described.

DESCRIPTION

FIG. 1 is a front perspective view of the design;
FIG. 2 is a rear perspective view of the design;
FIG. 3 is a side view of the design;
FIG. 4 is a side view of the design;
FIG. 5 is a top view of the design;
FIG. 6 is a rear view of the design;
FIG. 7 is a top view of the design; and,
FIG. 8 is a bottom view of the design.
Any broken line(s) shown are for illustrative purposes only and form no part of the claimed design.

1 Claim, 5 Drawing Sheets



US D806,295 S

(56)

References Cited

U.S. PATENT DOCUMENTS

6,206,539 B1 *	3/2001	Ko	F21L 4/022	D559,434 S *	1/2008	Morris	D26/128
			362/157	D560,018 S *	1/2008	Morris	D26/128
D448,876 S *	10/2001	Osiecki	D26/46	7,344,268 B2 *	3/2008	Jigamian	F21L 4/005
D449,395 S *	10/2001	Dalton	D26/49				362/202
6,361,183 B1 *	3/2002	Maglica	F21L 4/005	D579,594 S *	10/2008	Hesse	D26/37
			362/158	D595,438 S *	6/2009	Duszynski	D26/46
D474,554 S *	5/2003	Dalton	D26/49	D608,482 S *	1/2010	Brown	D26/49
D476,437 S *	6/2003	Dalton	D26/37	D609,571 S *	2/2010	Butler	D9/504
D484,627 S *	12/2003	Mah	D26/49	D610,727 S *	2/2010	Nyssen	D26/46
D493,008 S *	7/2004	Brent	D26/49	D614,956 S *	5/2010	Mazed	D9/500
D493,904 S *	8/2004	Dalton	D26/49	D619,460 S *	7/2010	Beckerman	D9/500
D494,298 S *	8/2004	Brent	D26/49	D625,447 S *	10/2010	Brown	D26/49
D494,299 S *	8/2004	Dalton	D26/49	D625,448 S *	10/2010	Brown	D26/49
6,769,787 B2 *	8/2004	Ferguson	F21L 4/005	D630,783 S *	1/2011	Baker	D26/49
			362/112	D637,747 S *	5/2011	Hesse	D26/49
D496,116 S *	9/2004	Abernethy	D26/49	D673,708 S *	1/2013	Yeh	D26/46
D496,482 S *	9/2004	Osiecki	D26/49	D675,357 S *	1/2013	Shi	D26/49
6,814,465 B2 *	11/2004	Forsythe	F21L 4/005	D681,247 S *	4/2013	Kung	D26/46
			362/109	D688,401 S *	8/2013	Kung	D26/46
D500,376 S *	12/2004	Cormier	D26/37	D716,983 S *	11/2014	Ma	D26/49
D507,071 S *	7/2005	Benghozi	D26/128	D734,885 S *	7/2015	Brown	D26/49
D508,747 S *	8/2005	Kim	D26/37	D746,500 S *	12/2015	Brown	D26/49
D509,011 S *	8/2005	Fritz	D26/49	D754,898 S *	4/2016	Green	D26/43
D530,439 S *	10/2006	Maglica	D26/49	2005/0122715 A1 *	6/2005	Furth	F21L 4/005
7,125,140 B2 *	10/2006	Koch	F21L 4/005				362/208
			200/60	2005/0162848 A1 *	7/2005	Dalton	F21L 4/085
D544,118 S *	6/2007	Osiecki	D26/37				362/157
D546,988 S *	7/2007	Shiu	D26/37	2007/0172724 A1 *	7/2007	Furth	F21L 4/005
7,264,372 B2 *	9/2007	Maglica	F21L 4/005				429/97
			362/188	2011/0214619 A1 *	9/2011	Risch	A01K 15/02
D553,283 S *	10/2007	Rugendyke	D26/49				119/719

* cited by examiner

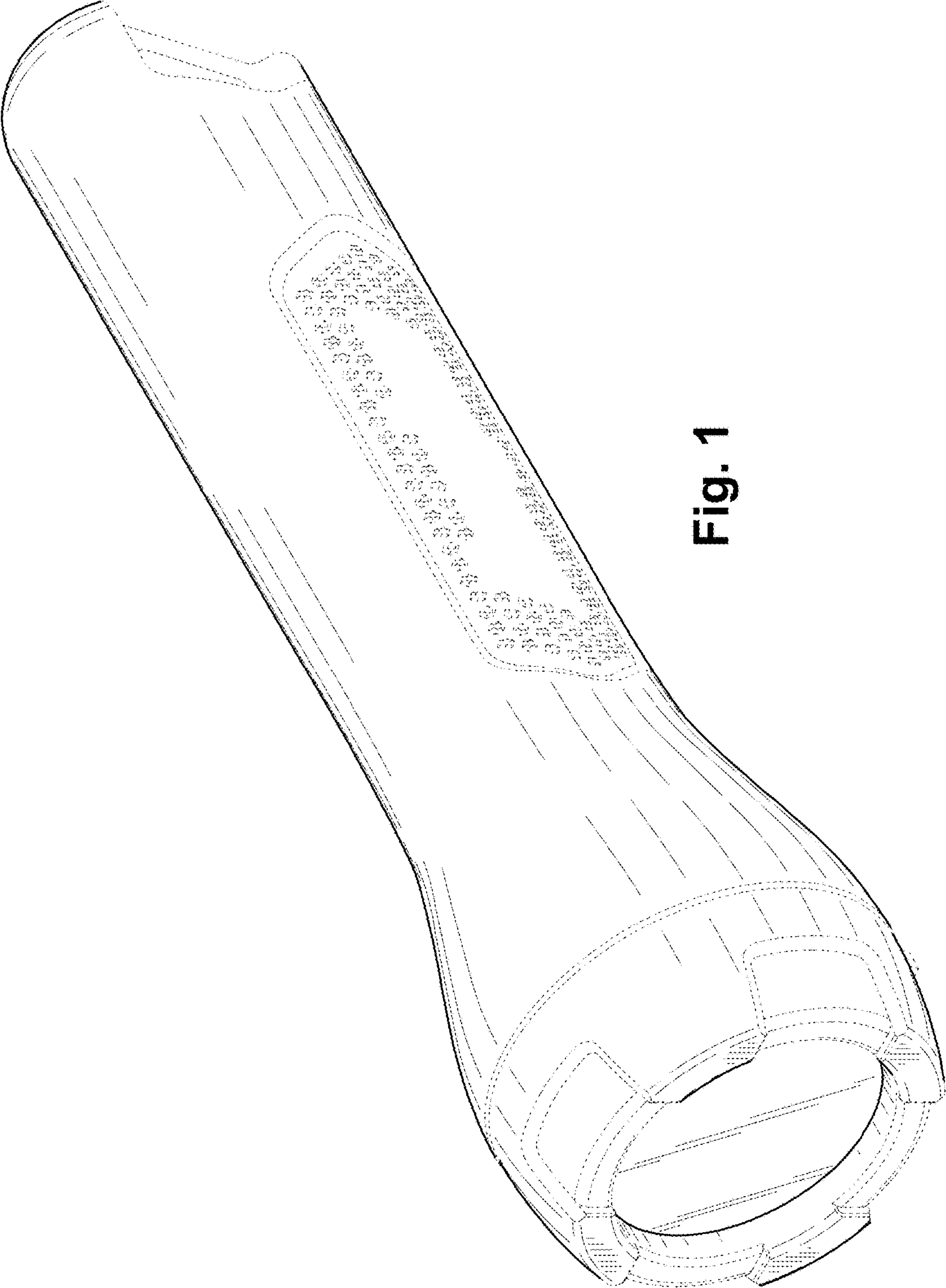


Fig. 1

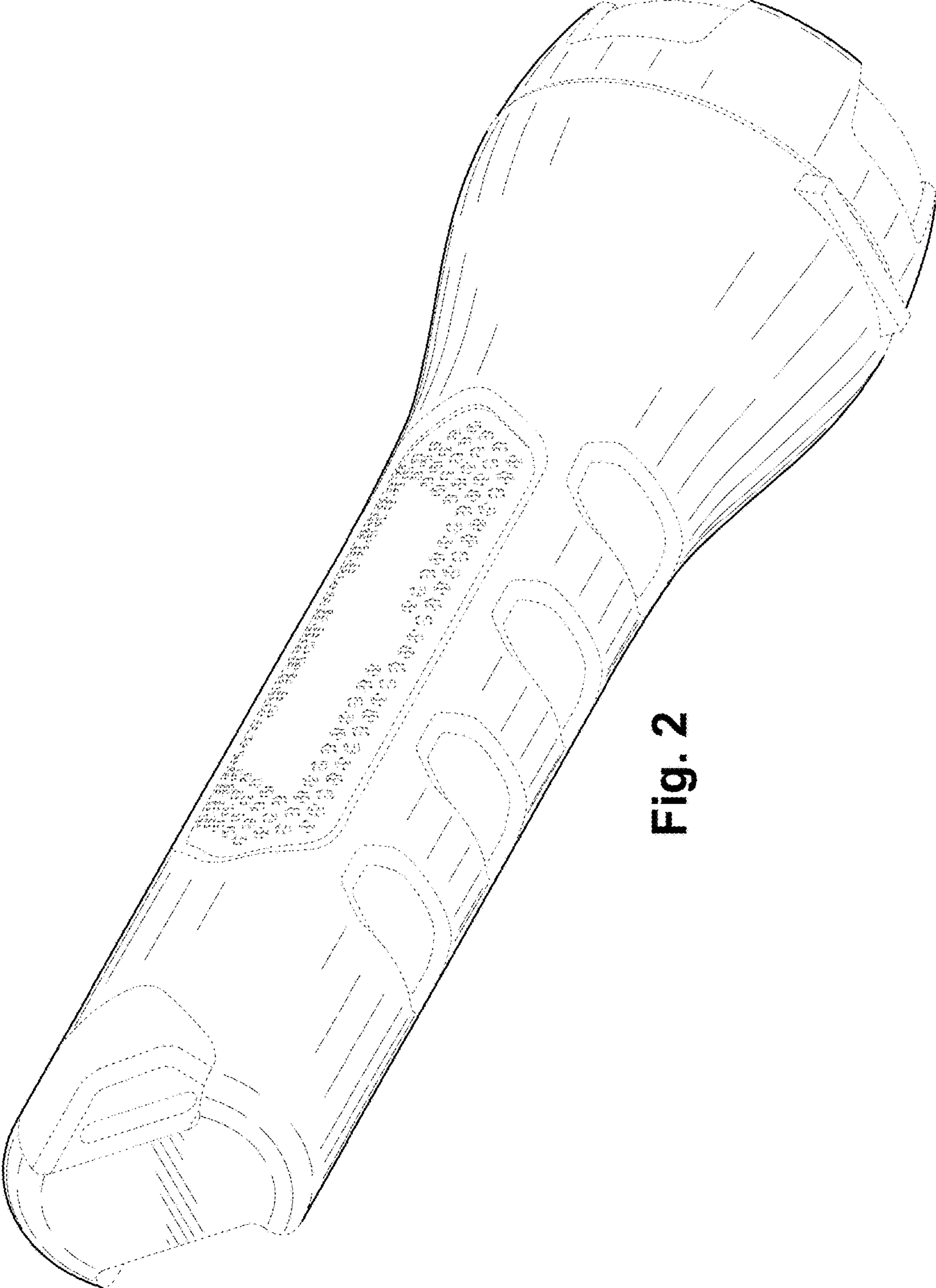


Fig. 2

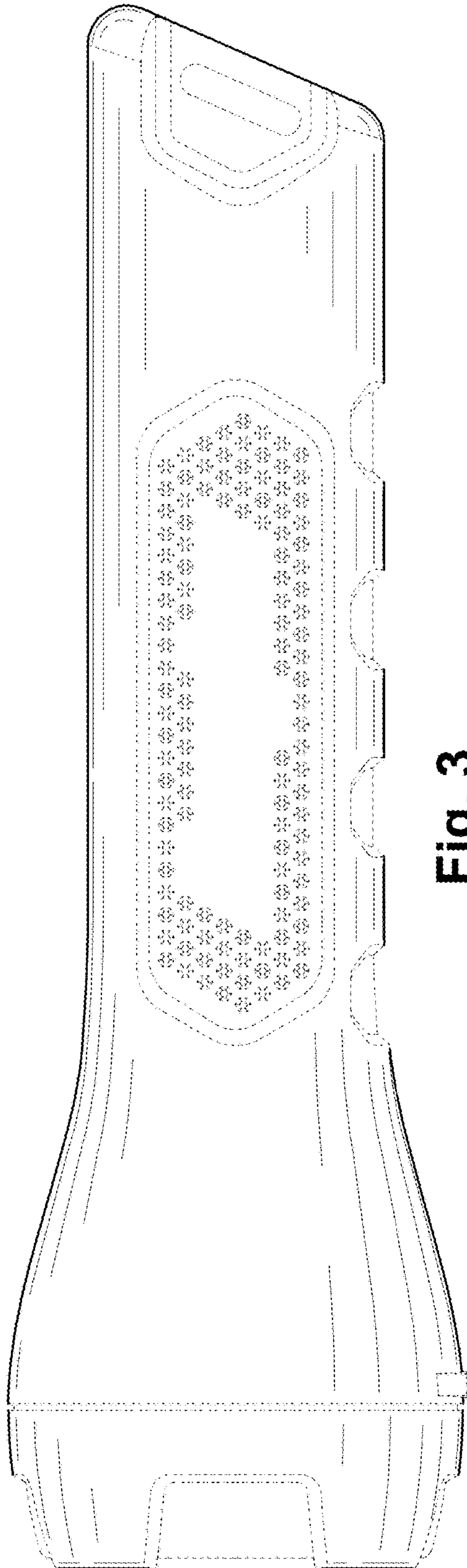


Fig. 3

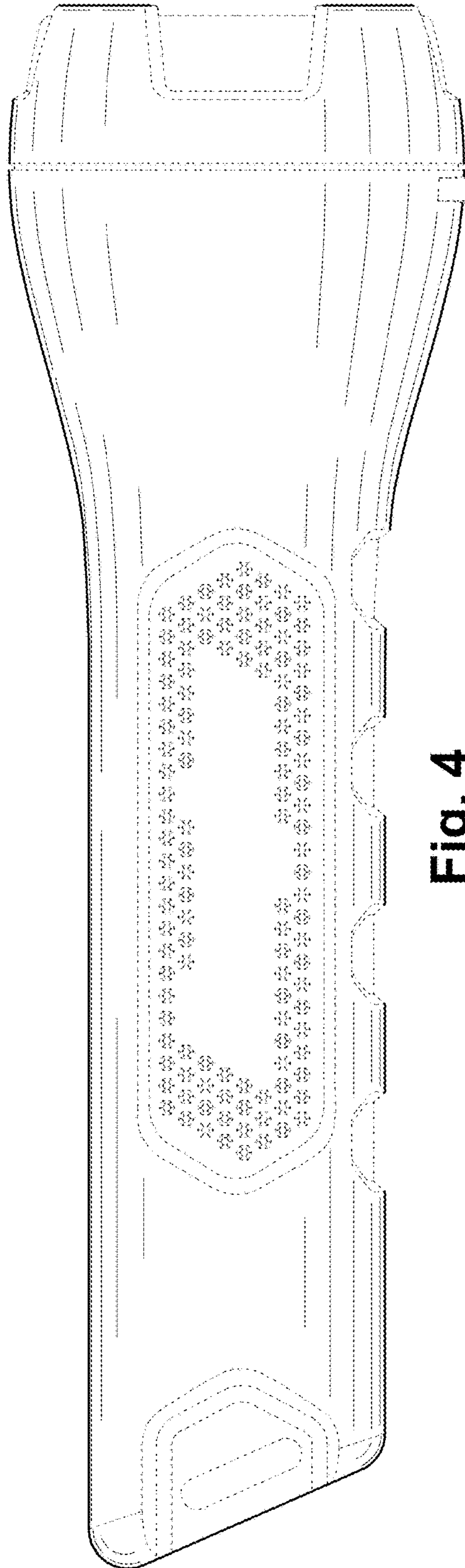


Fig. 4

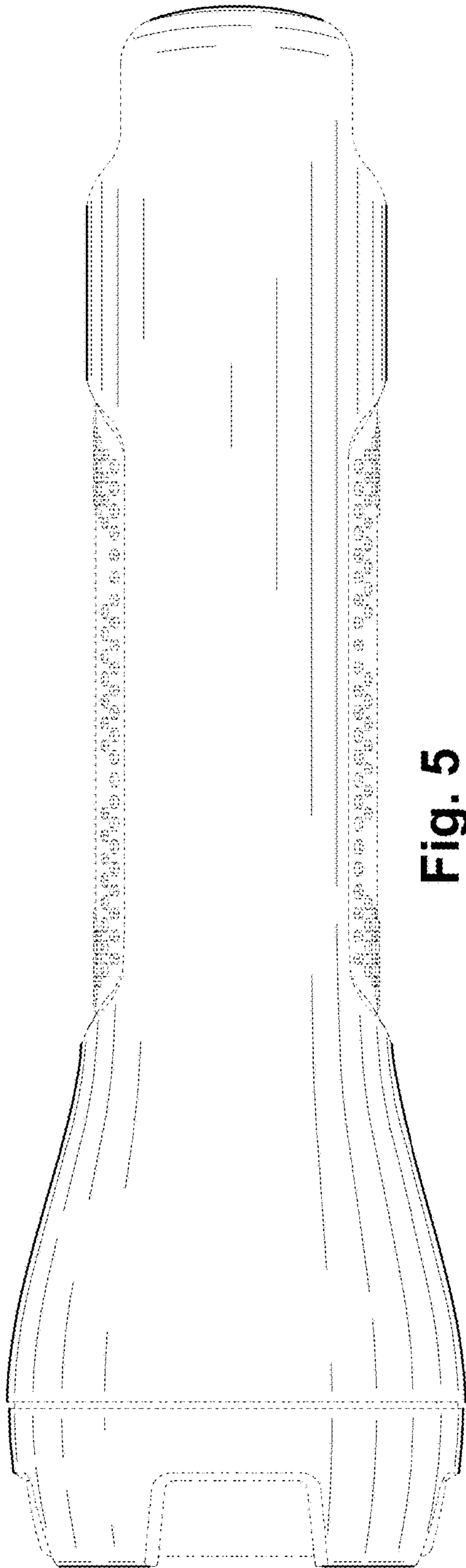


Fig. 5

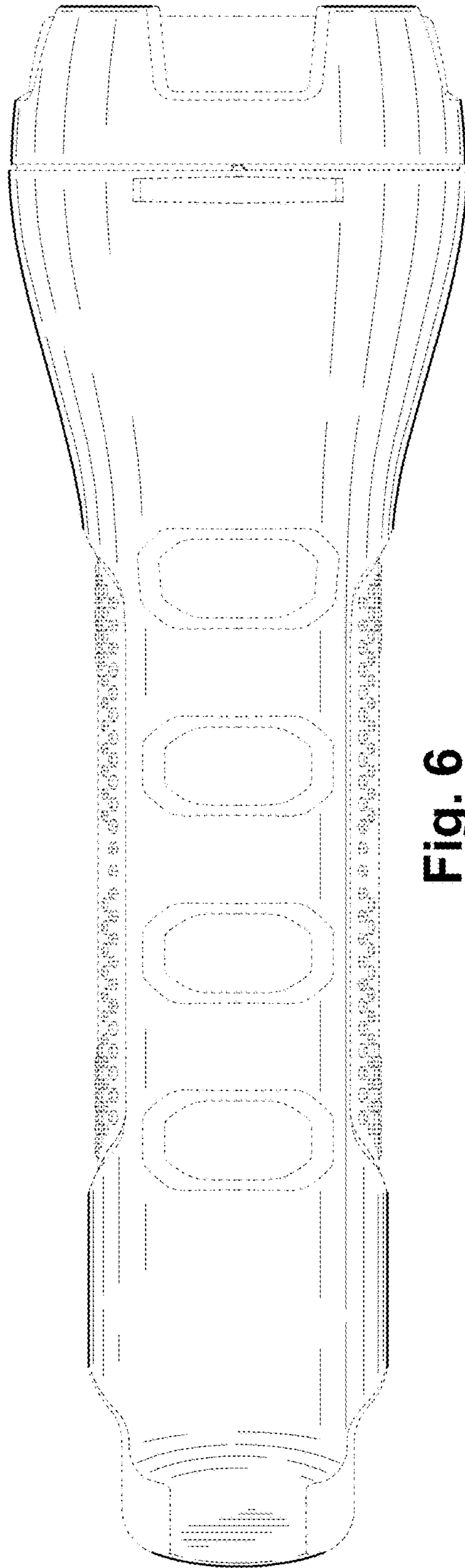


Fig. 6

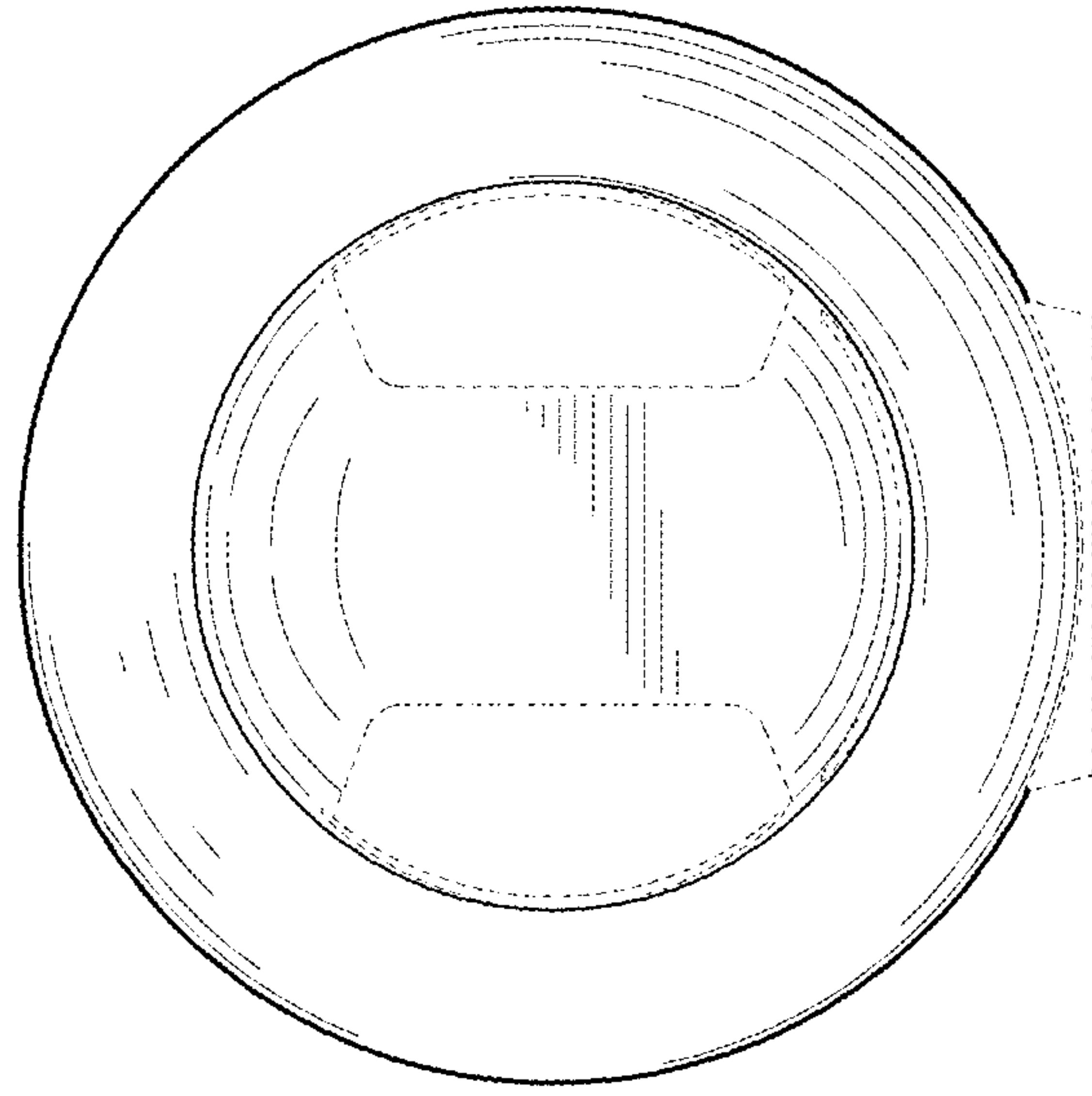


Fig. 8

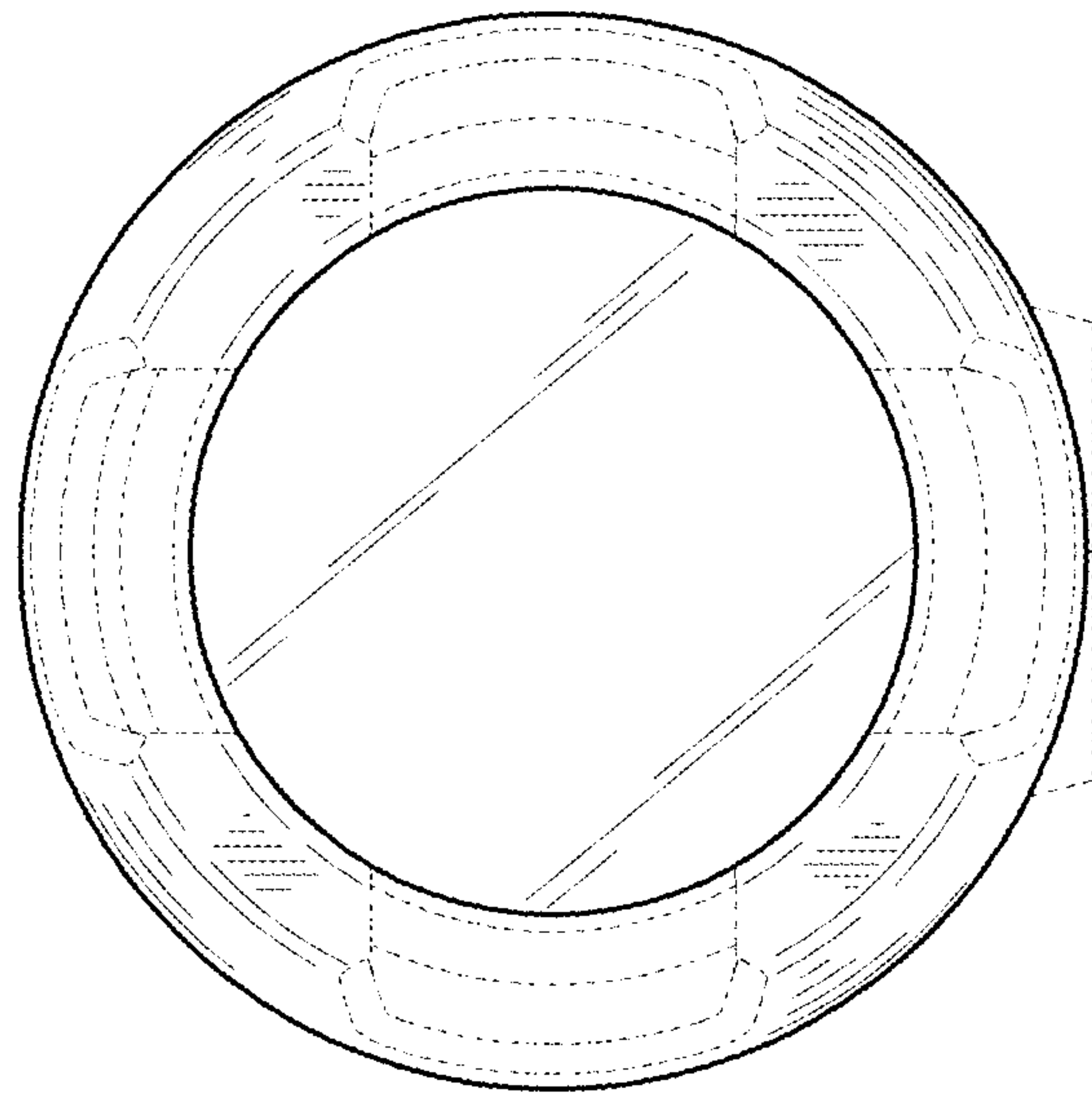


Fig. 7