



US00D806294S

(12) **United States Design Patent** (10) **Patent No.:** **US D806,294 S**
Nguyen et al. (45) **Date of Patent:** **** Dec. 26, 2017**

(54) **LIGHTING DEVICE**
(71) Applicant: **SureFire, LLC**, Fountain Valley, CA (US)
(72) Inventors: **Loc Nguyen**, Santa Ana, CA (US);
John W. Matthews, Newport Beach, CA (US)
(73) Assignee: **SureFire, LLC**, Fountain Valley, CA (US)
(**) Term: **15 Years**
(21) Appl. No.: **29/542,057**
(22) Filed: **Oct. 9, 2015**
(51) **LOC (10) Cl.** **26-02**
(52) **U.S. Cl.**
USPC **D26/37**
(58) **Field of Classification Search**
USPC D26/37, 38, 40, 42, 46, 51; D13/102
CPC F21L 2003/00; F21L 4/00; F21L 4/005;
F21L 4/02; F21L 4/025; F21L 4/027;
F21L 4/04; F21L 4/08; F21L 2005/00;
F21L 7/00; F21L 11/00; F21L 13/00;
F21L 13/04; F21L 13/08; F21L 14/02;
F21L 17/00; F21L 19/00
See application file for complete search history.

(56) **References Cited**
U.S. PATENT DOCUMENTS
D477,432 S * 7/2003 Parsons D26/37
D553,276 S * 10/2007 Campbell D26/37
D557,841 S * 12/2007 Lee D26/37
D565,215 S * 3/2008 Lee D26/37
D571,492 S * 6/2008 Lee D26/37
D580,078 S * 11/2008 Lee D26/37

D586,736 S * 2/2009 Fowler D13/102
D613,437 S * 4/2010 Chan D26/38
D615,676 S * 5/2010 Lee D26/37
D627,497 S * 11/2010 Jiang D26/37
D630,162 S * 1/2011 Bullen D13/102
D659,867 S * 5/2012 Zhan D16/239
D703,355 S * 4/2014 Kotsis D26/37
D753,855 S * 4/2016 Cacciabeve D26/37
D758,299 S * 6/2016 Lafferty D13/102
D760,414 S * 6/2016 Brown D26/37
2015/0176782 A1* 6/2015 McLennan F21V 23/0414
362/183
2016/0209025 A1* 7/2016 Matthews F21L 4/04
2016/0230981 A1* 8/2016 Shoemake H04N 7/142
2016/0290617 A1* 10/2016 Nguyen F21V 23/0471

* cited by examiner

Primary Examiner — Lakiya Rogers
Assistant Examiner — Carissa C Fitts
(74) *Attorney, Agent, or Firm* — Haynes and Boone, LLP

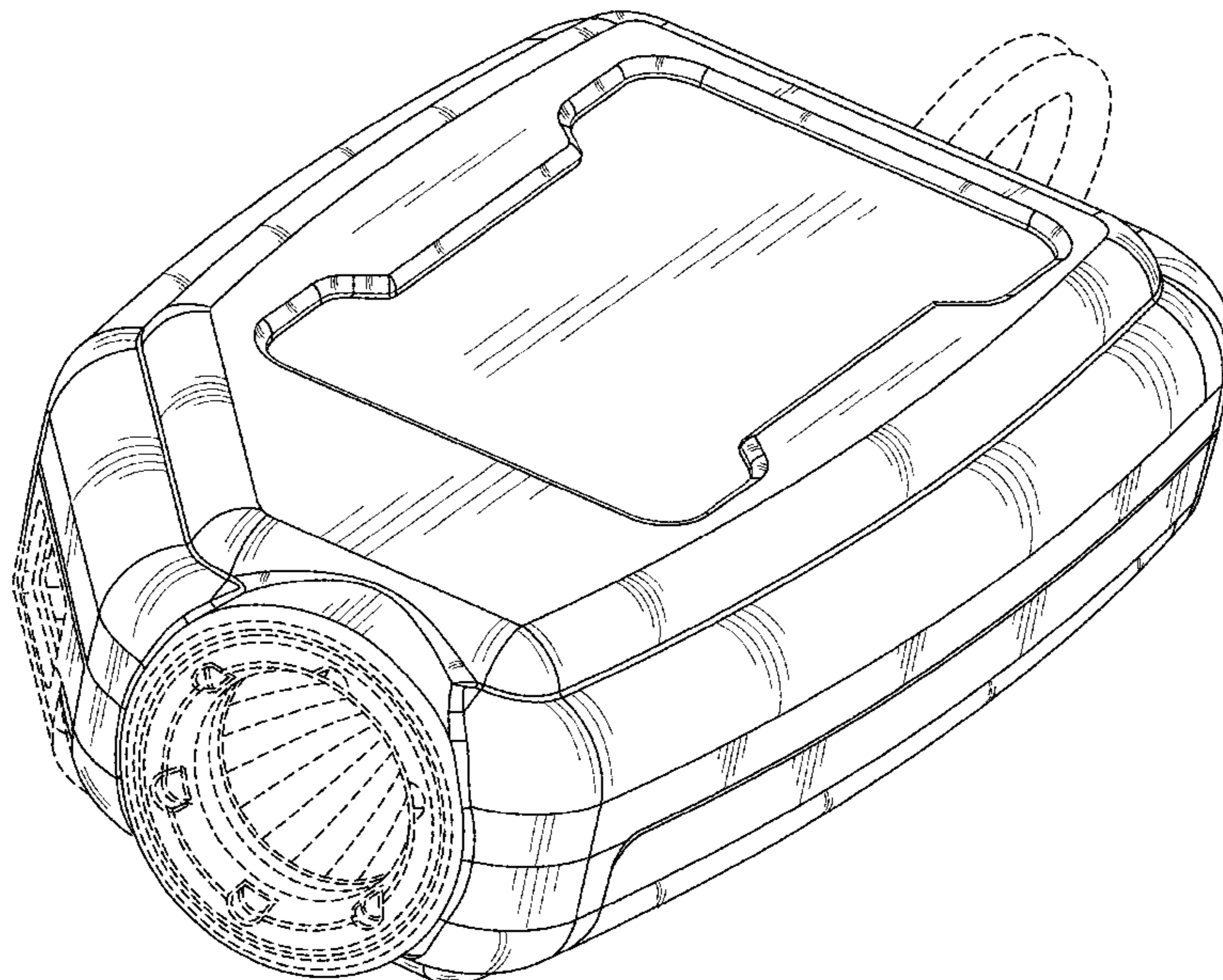
(57) **CLAIM**

The ornamental design for a lighting device, as shown and described.

DESCRIPTION

FIG. 1 is a front perspective view of a lighting device showing our new design;
FIG. 2 is a rear perspective view thereof;
FIG. 3 is a bottom plan view thereof;
FIG. 4 is a top plan view thereof;
FIG. 5 is a left side elevational view thereof;
FIG. 6 is a right side elevational view thereof;
FIG. 7 is a front side elevational view thereof; and,
FIG. 8 is a rear side elevational view thereof.
The broken lines show portions of the article not claimed and form no part of the claimed design.

1 Claim, 8 Drawing Sheets



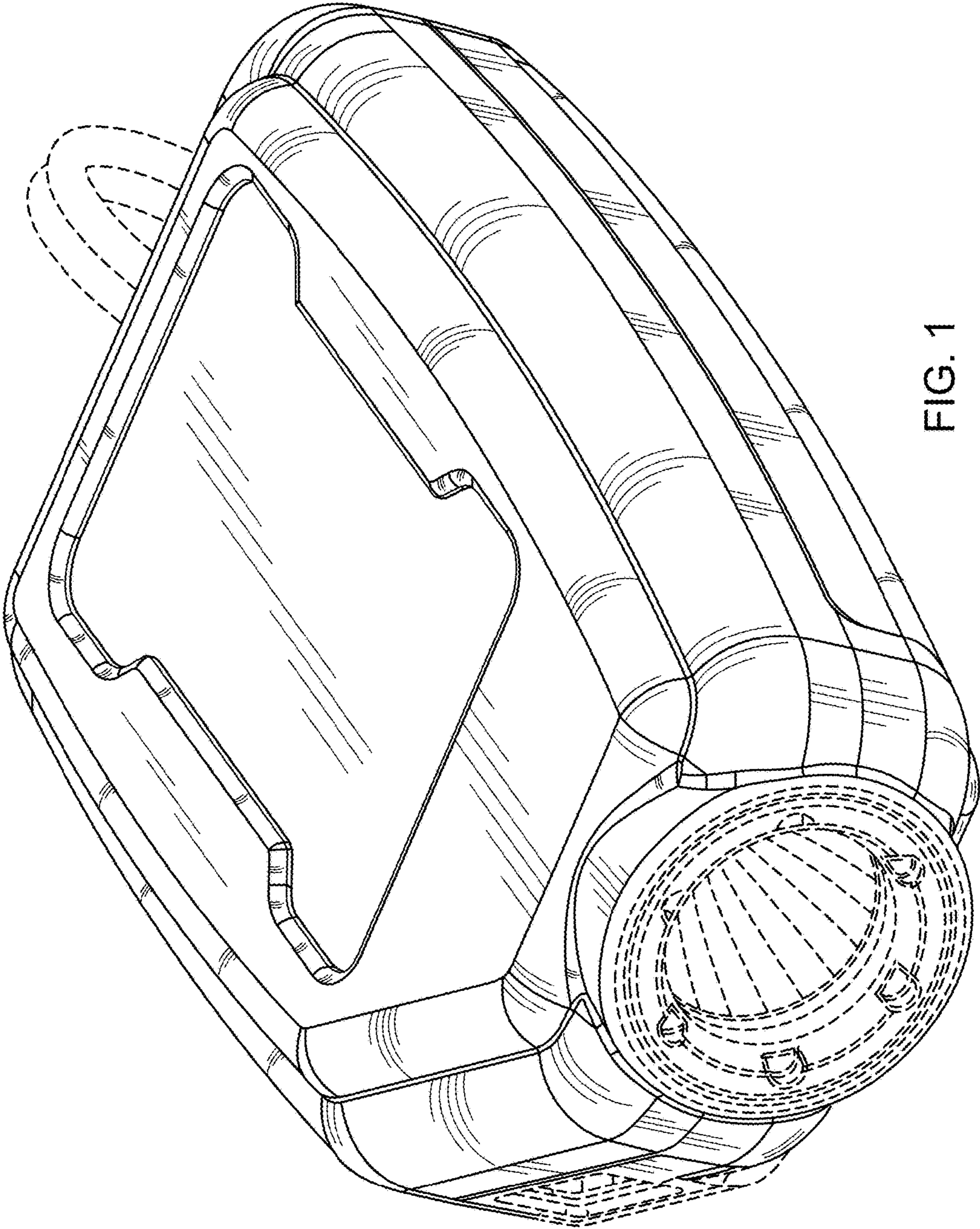


FIG. 1

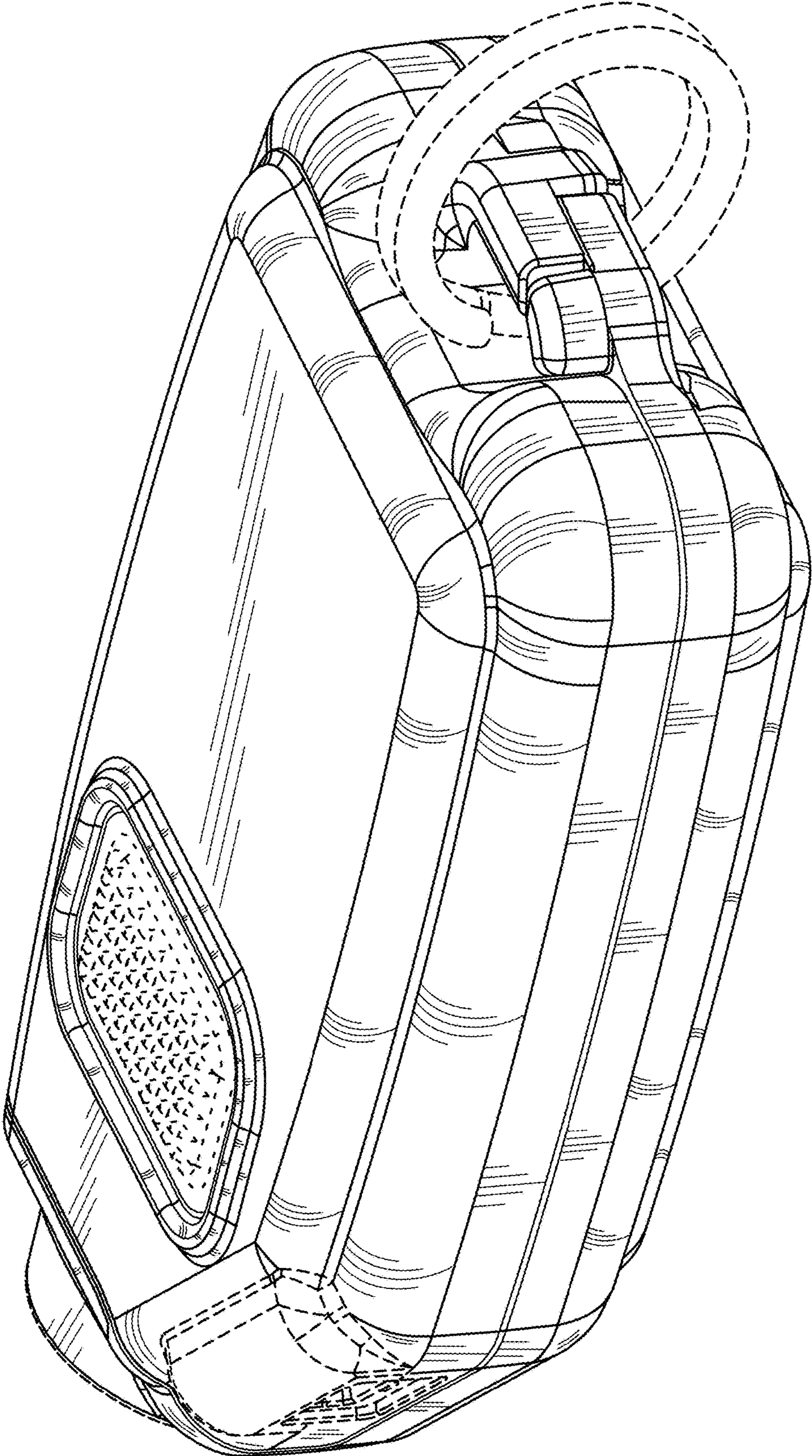


FIG. 2

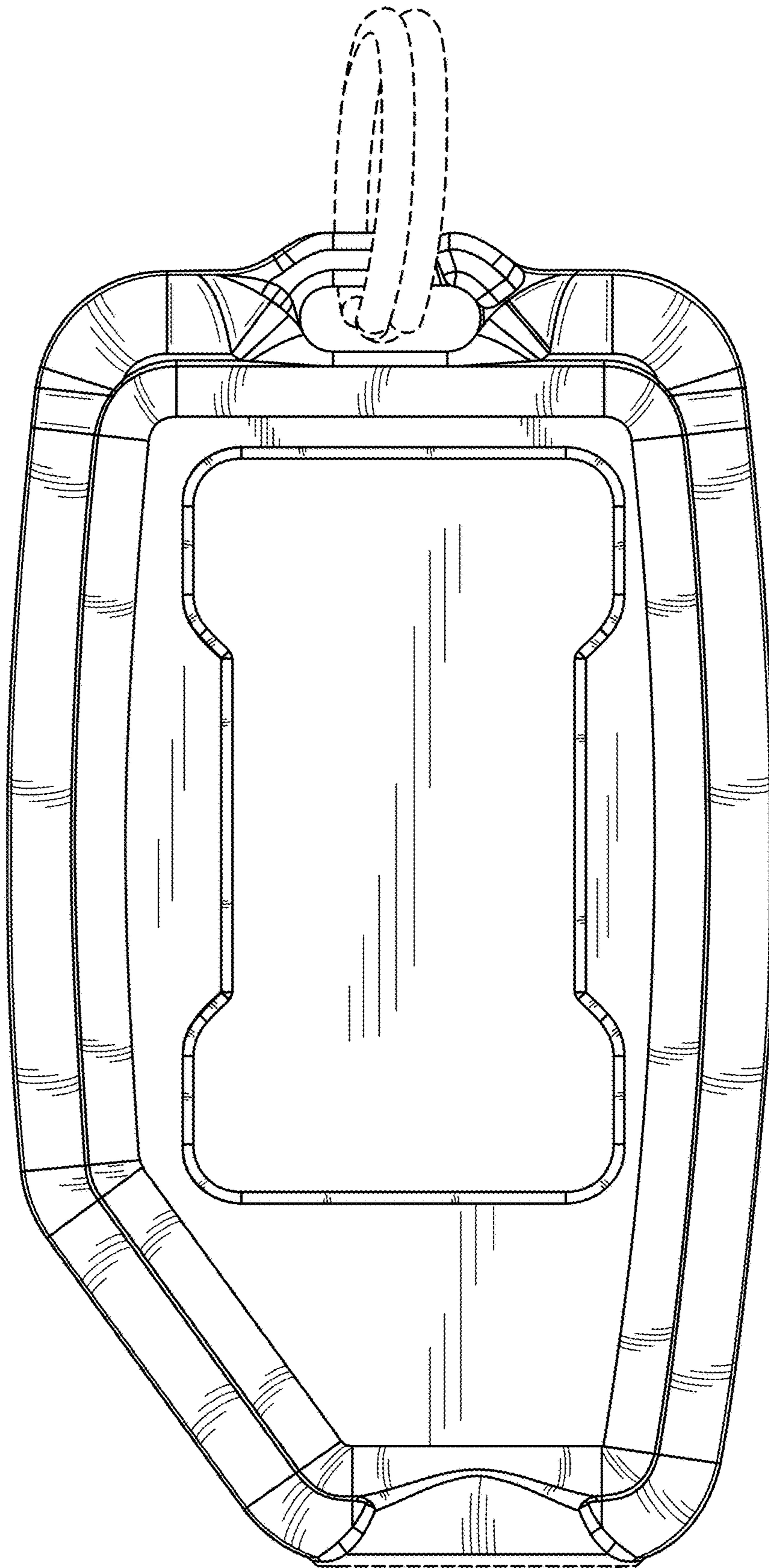


FIG. 3

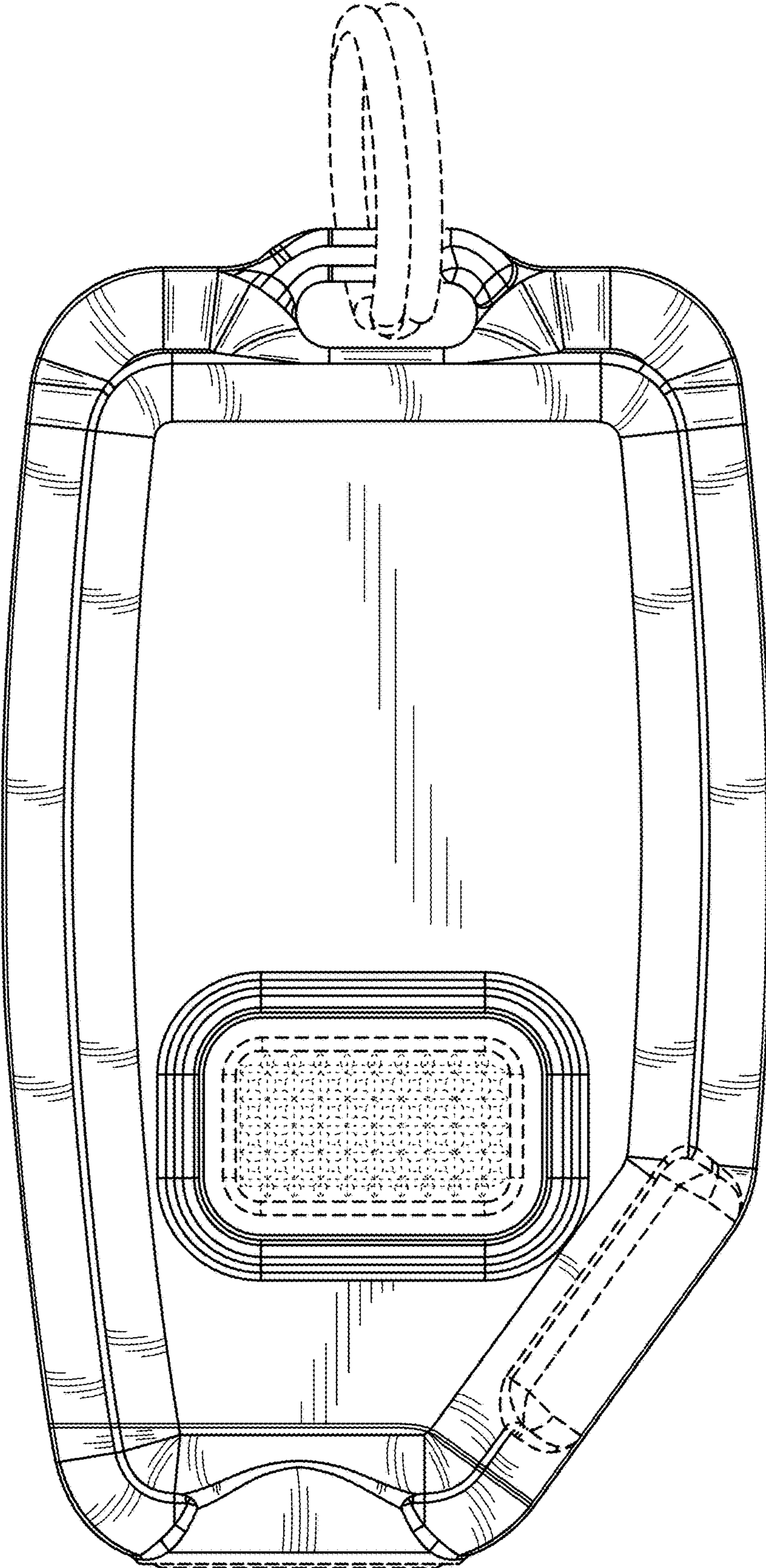


FIG. 4

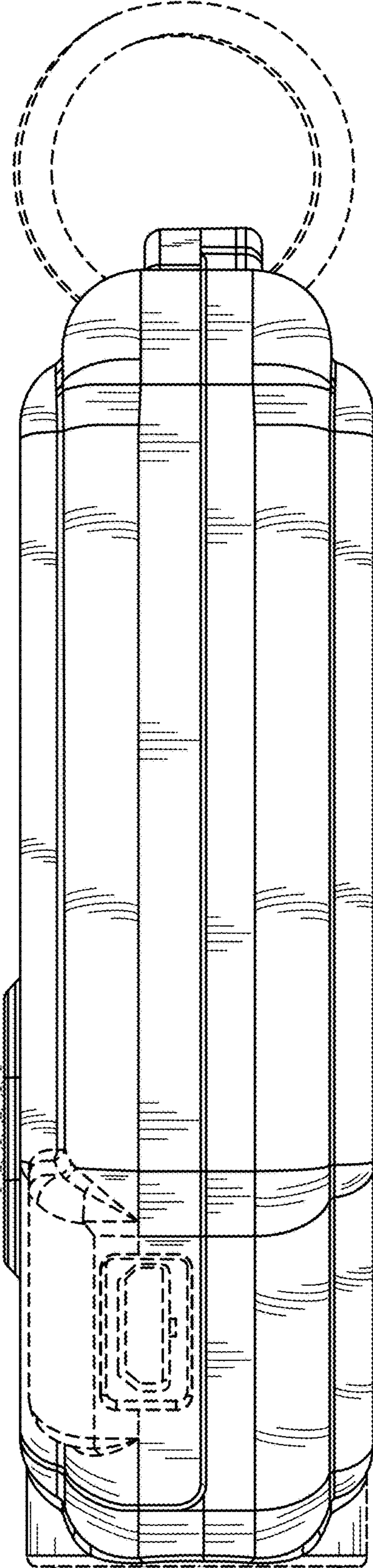


FIG. 5

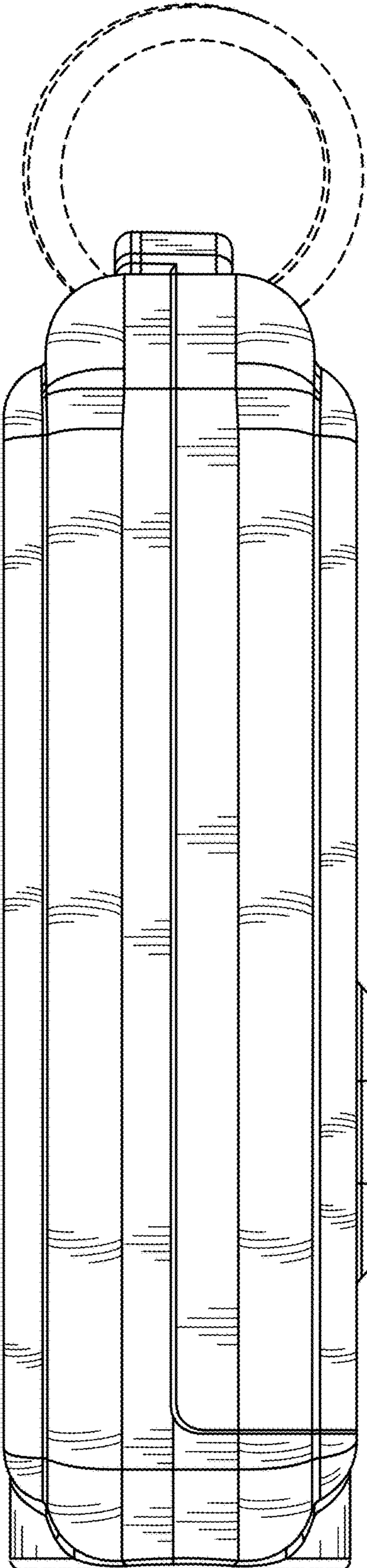


FIG. 6

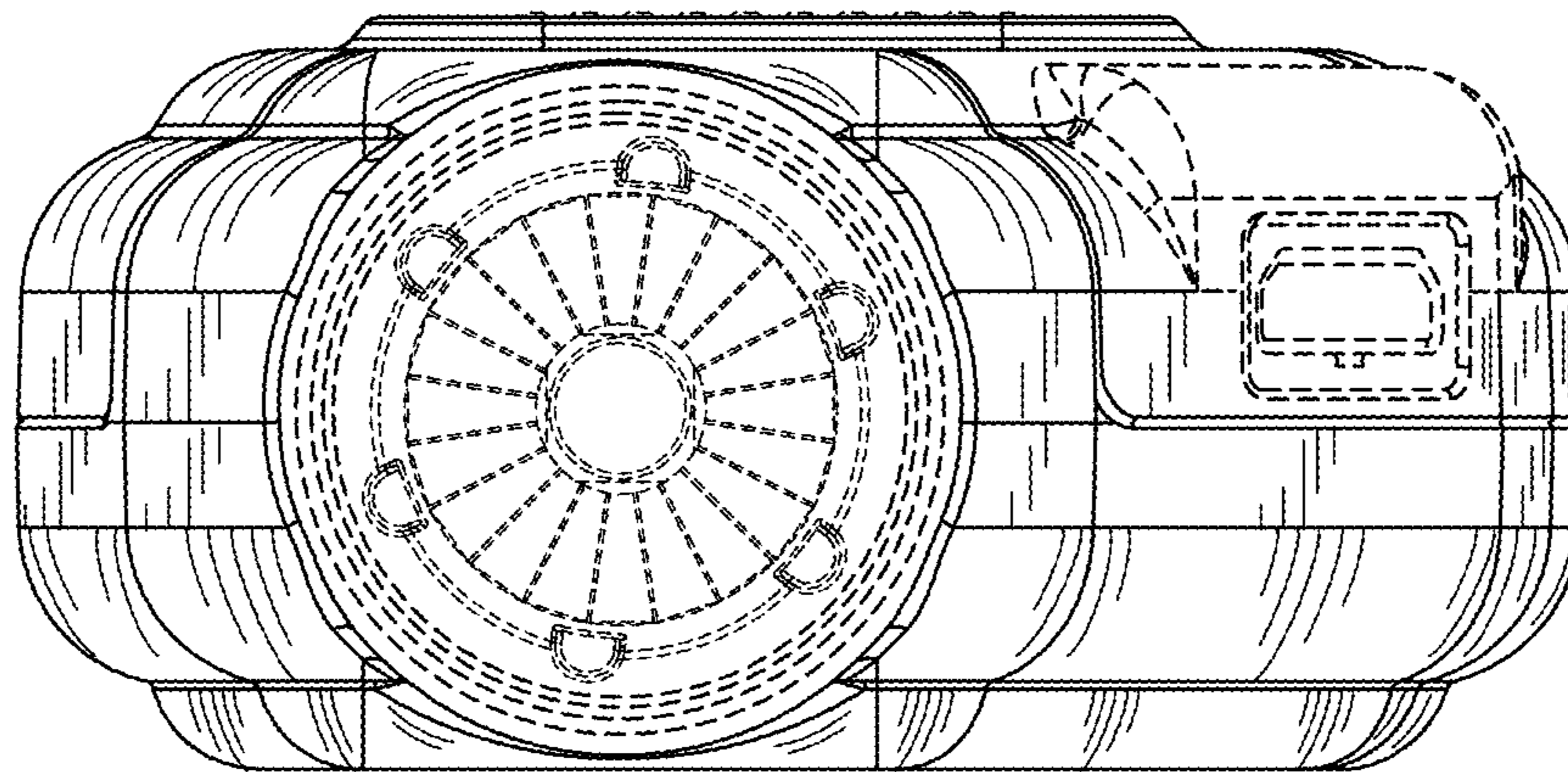


FIG. 7

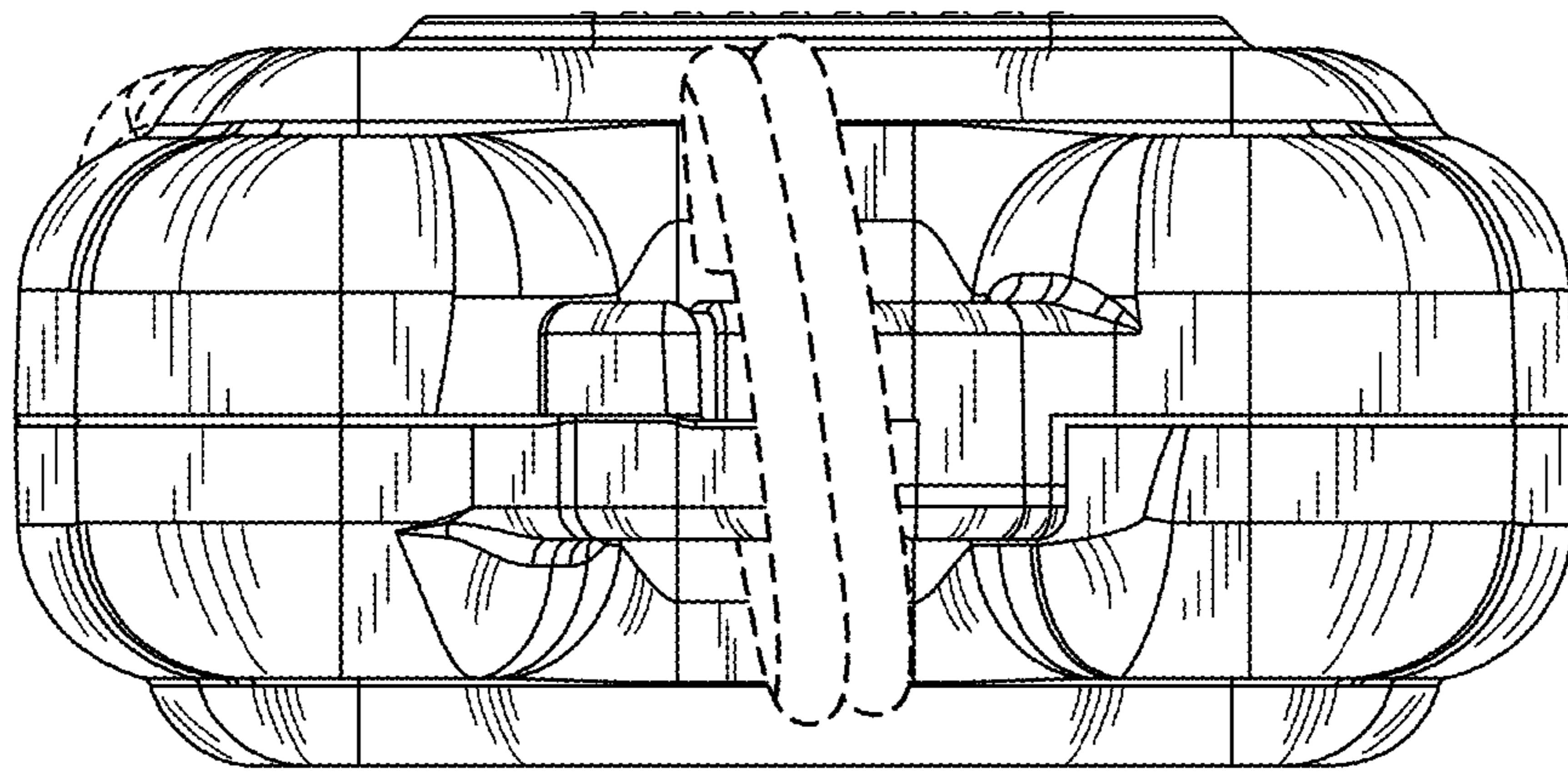


FIG. 8