



US00D806291S

(12) **United States Design Patent**
Platto et al.

(10) **Patent No.:** **US D806,291 S**

(45) **Date of Patent:** **** Dec. 26, 2017**

(54) **VEHICLE TAIL LAMP**

(71) Applicant: **Ford Global Technologies, LLC,**
Dearborn, MI (US)

(72) Inventors: **Gordon M. Platto,** Troy, MI (US);
Sean W. Tant, Livonia, MI (US);
Anthony Meyer, Ferndale, MI (US);
Bruce P Williams, Grosse Pointe Park,
MI (US)

(73) Assignee: **Ford Global Technologies, LLC,**
Dearborn, MI (US)

(**) Term: **15 Years**

(21) Appl. No.: **29/588,175**

(22) Filed: **Dec. 19, 2016**

(51) **LOC (10) Cl.** **26-06**

(52) **U.S. Cl.**
USPC **D26/28**

(58) **Field of Classification Search**
USPC D26/28-36; 362/80-83, 267-269,
362/459-468, 475-478, 485-487
CPC F21S 48/00; F21S 48/10; F21S 48/115;
F21S 48/1233; F21S 48/1266; F21S
48/1388; F21S 48/2268; F21V 21/04
See application file for complete search history.

(56) **References Cited**

U.S. PATENT DOCUMENTS

D586,020 S * 2/2009 Hsu D26/28
D586,023 S * 2/2009 Hsu D26/28

D622,425 S 8/2010 Bucher
D674,939 S * 1/2013 Lai D26/28
D705,962 S * 5/2014 Hildebrand D26/28
D708,770 S * 7/2014 Lai D26/28
D750,291 S 2/2016 Platto

* cited by examiner

Primary Examiner — Marcus Jackson

(74) *Attorney, Agent, or Firm* — James Dottavio

(57) **CLAIM**

The ornamental design for a vehicle tail lamp, as shown.

DESCRIPTION

FIG. 1 is a top front perspective view of the first embodiment of a vehicle tail lamp, showing our new design; FIG. 2 is a bottom front perspective view thereof; FIG. 3 is a top rear perspective view thereof; FIG. 4 is a front elevational view thereof; FIG. 5 is a rear elevational view thereof; FIG. 6 is a left side elevational view thereof; FIG. 7 is a right side elevational view thereof; FIG. 8 is a top plan view thereof; and, FIG. 9 is a bottom plan view thereof. The second embodiment of the vehicle tail lamp is mirror image of the embodiment disclosed in FIGS. 1 through 9, and is not shown.

1 Claim, 9 Drawing Sheets

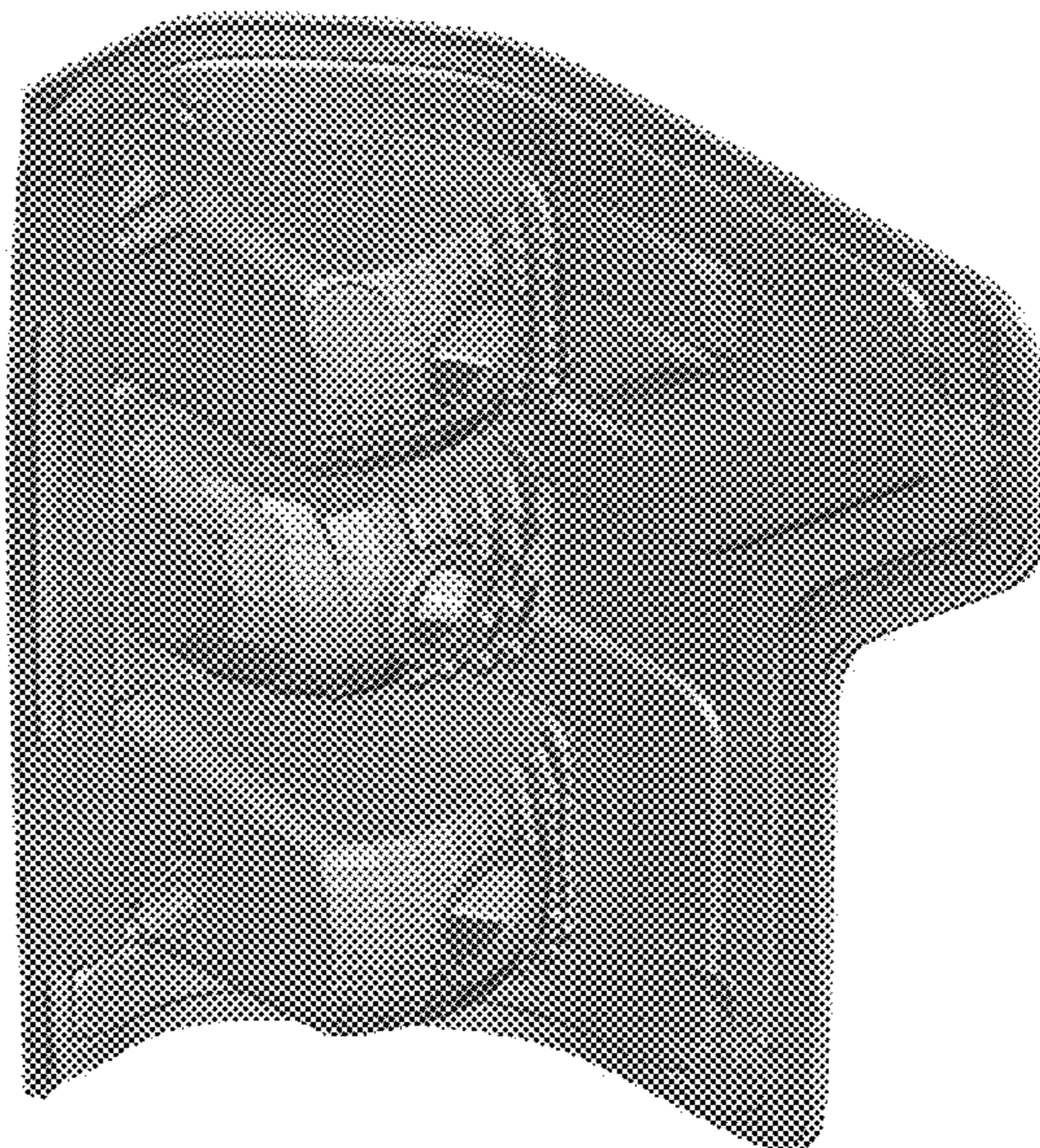
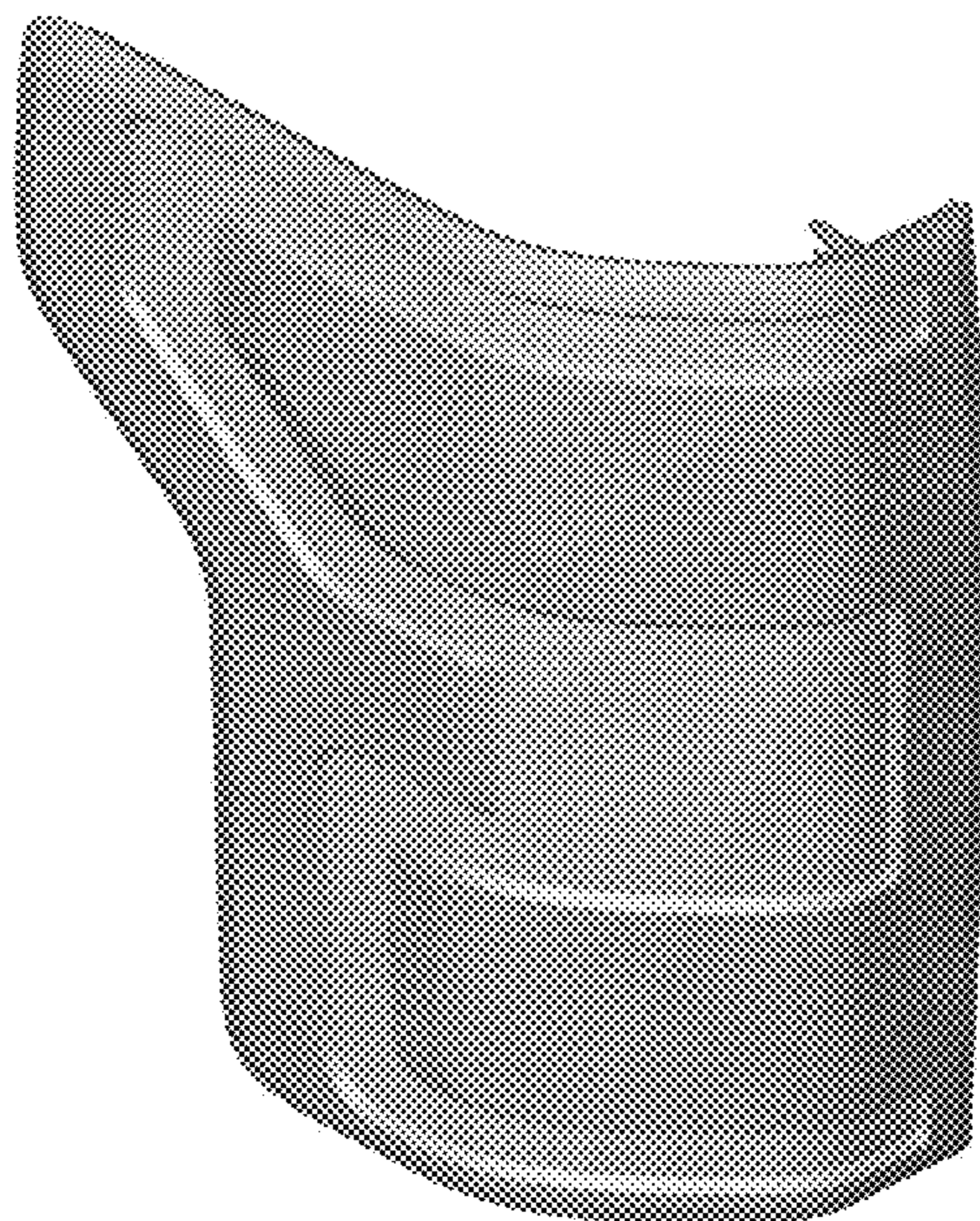


Fig. 1

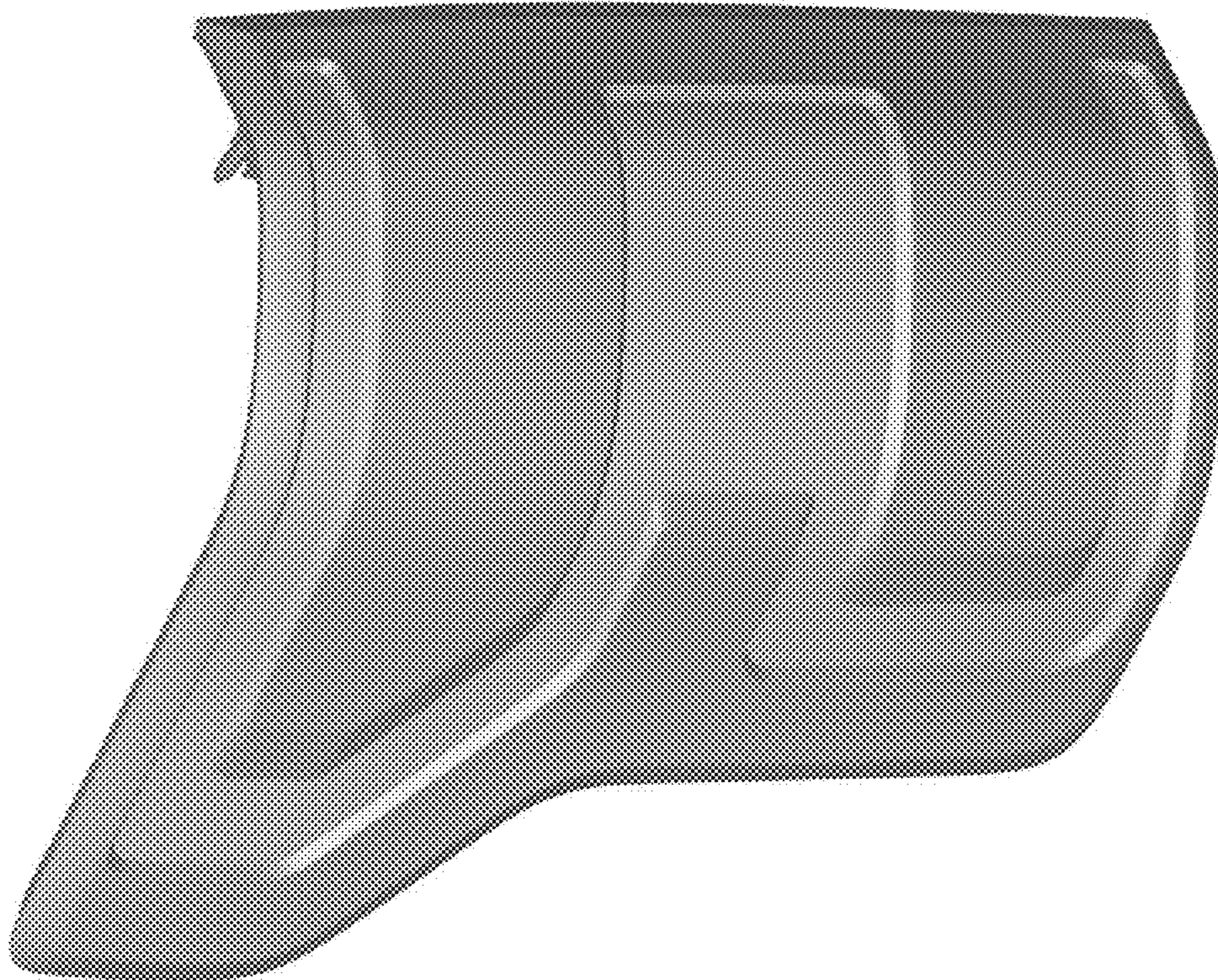
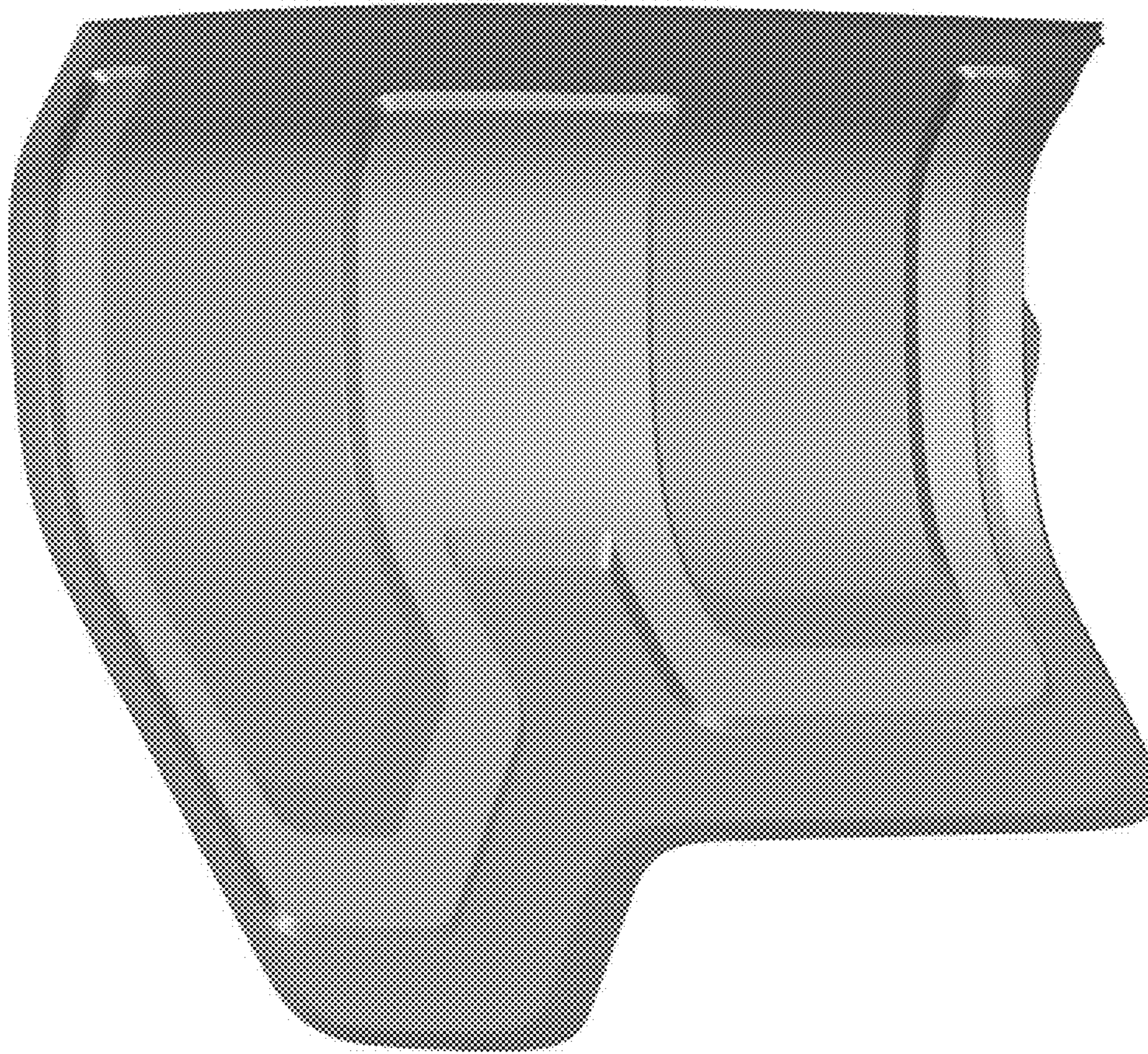


Fig. 2



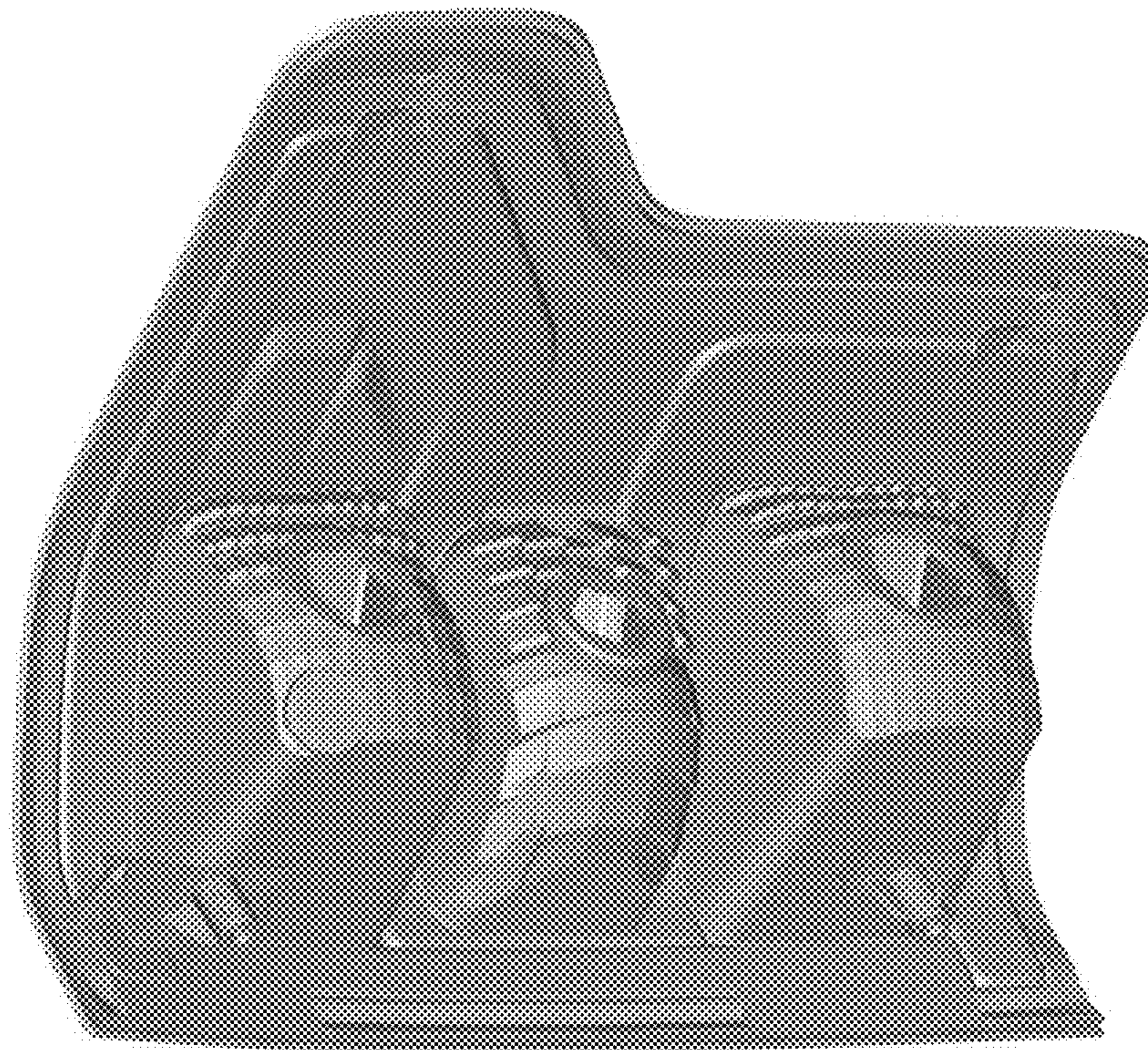
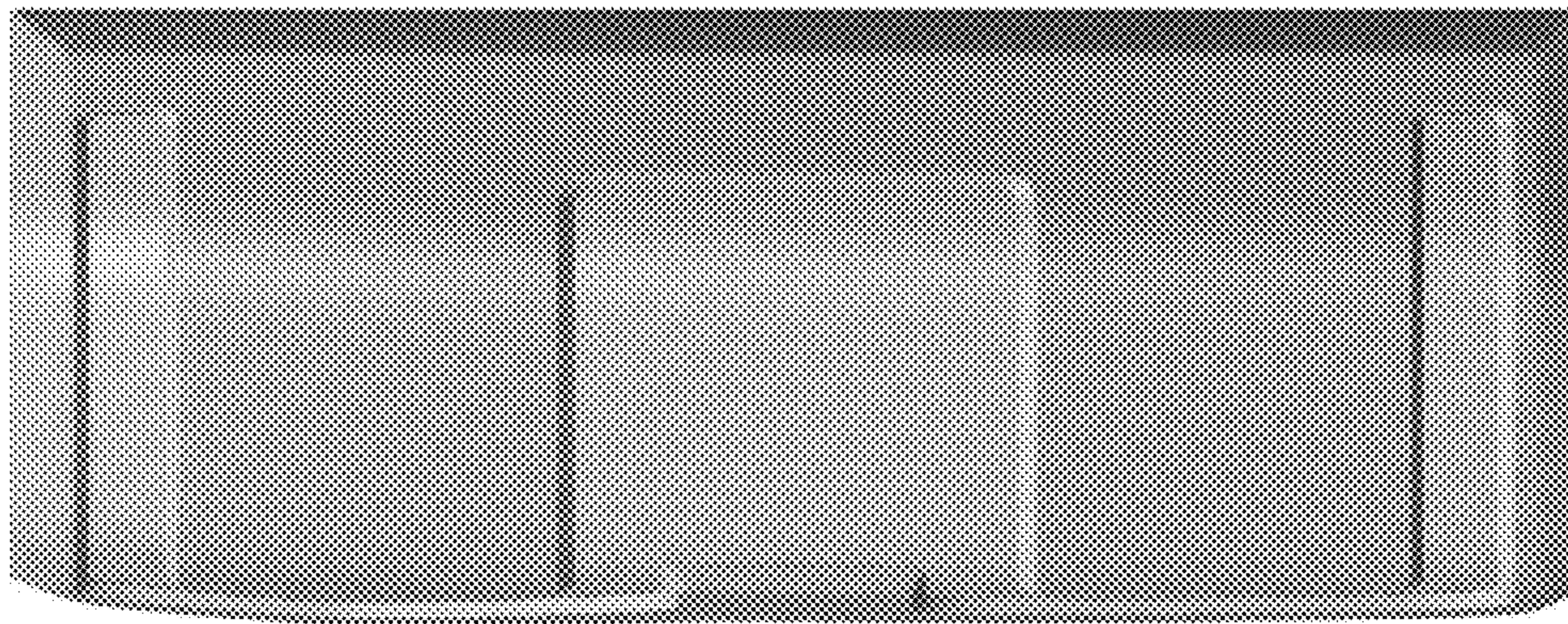


Fig. 3

Fig. 4



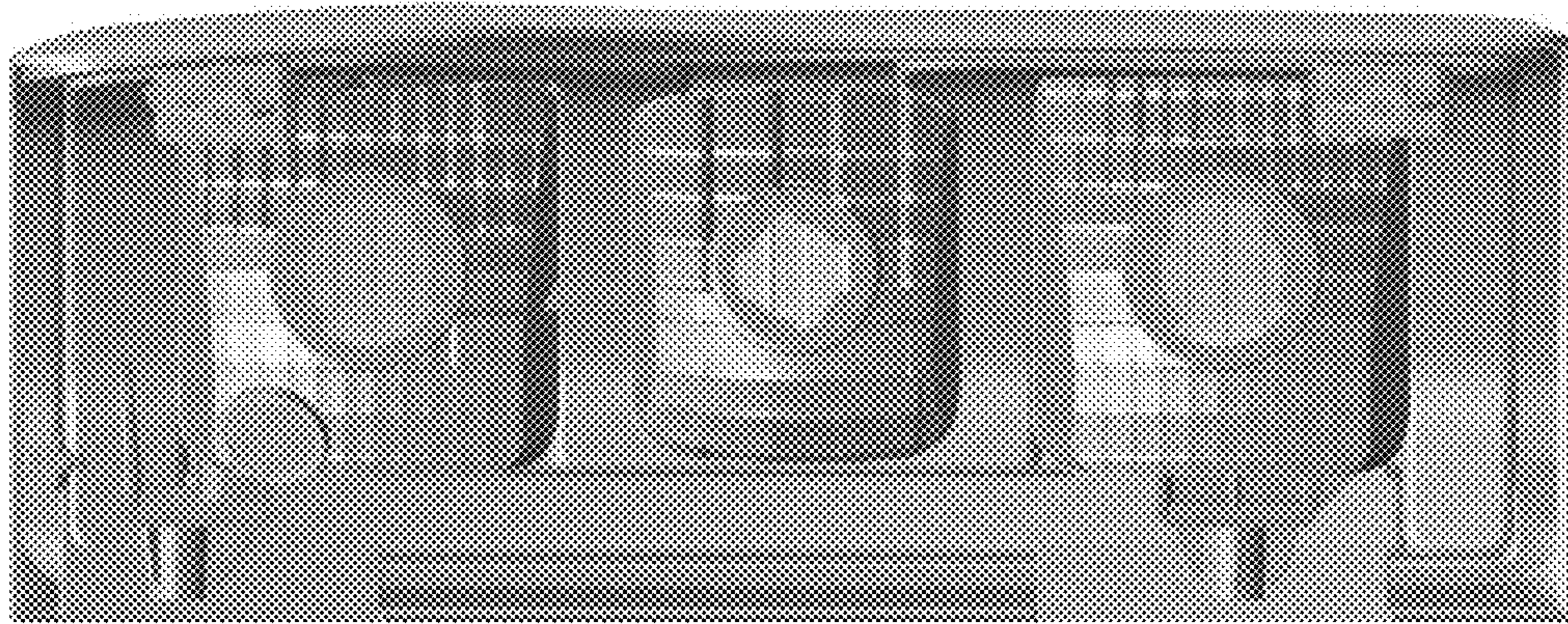
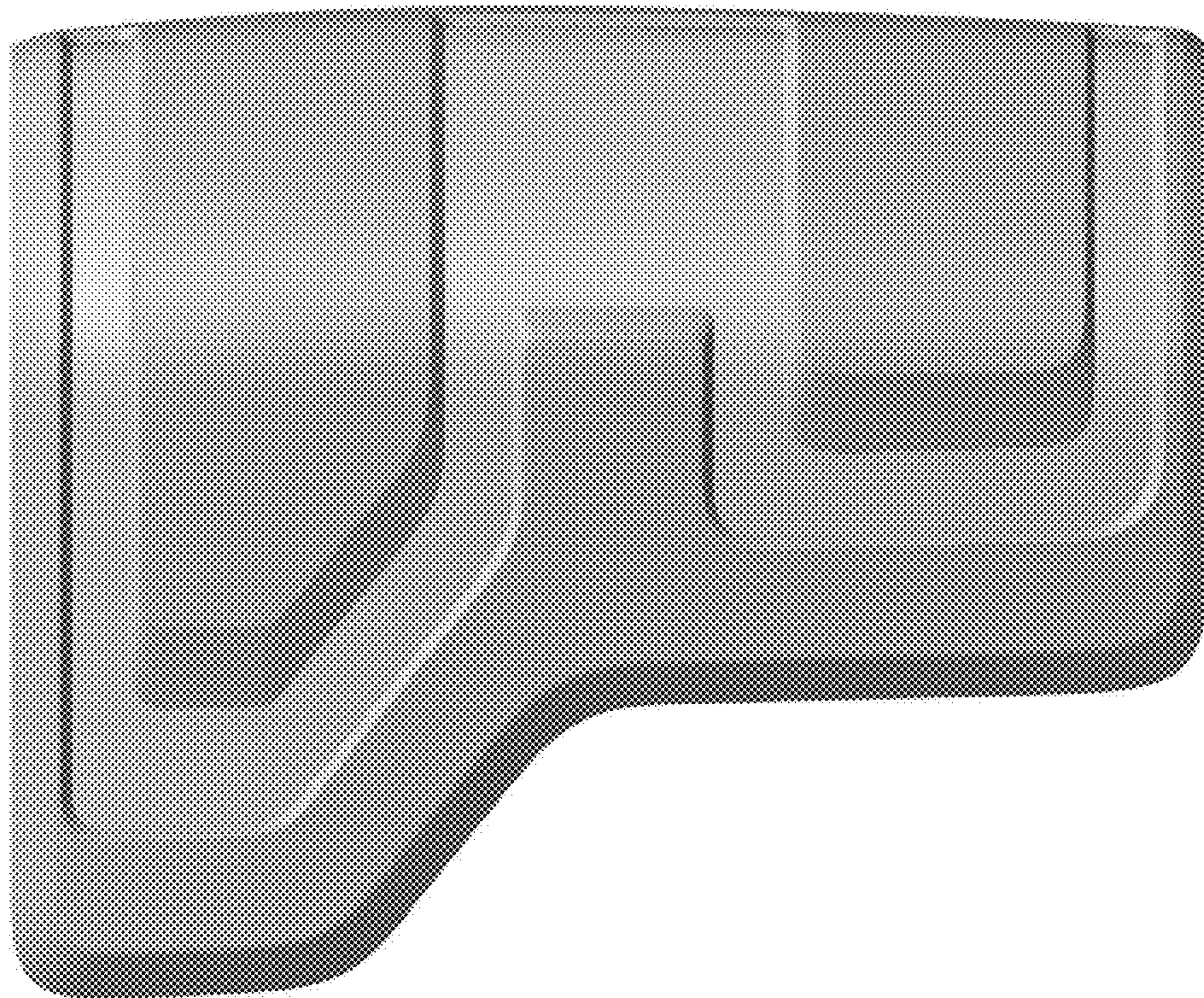


Fig. 5

Fig. 6



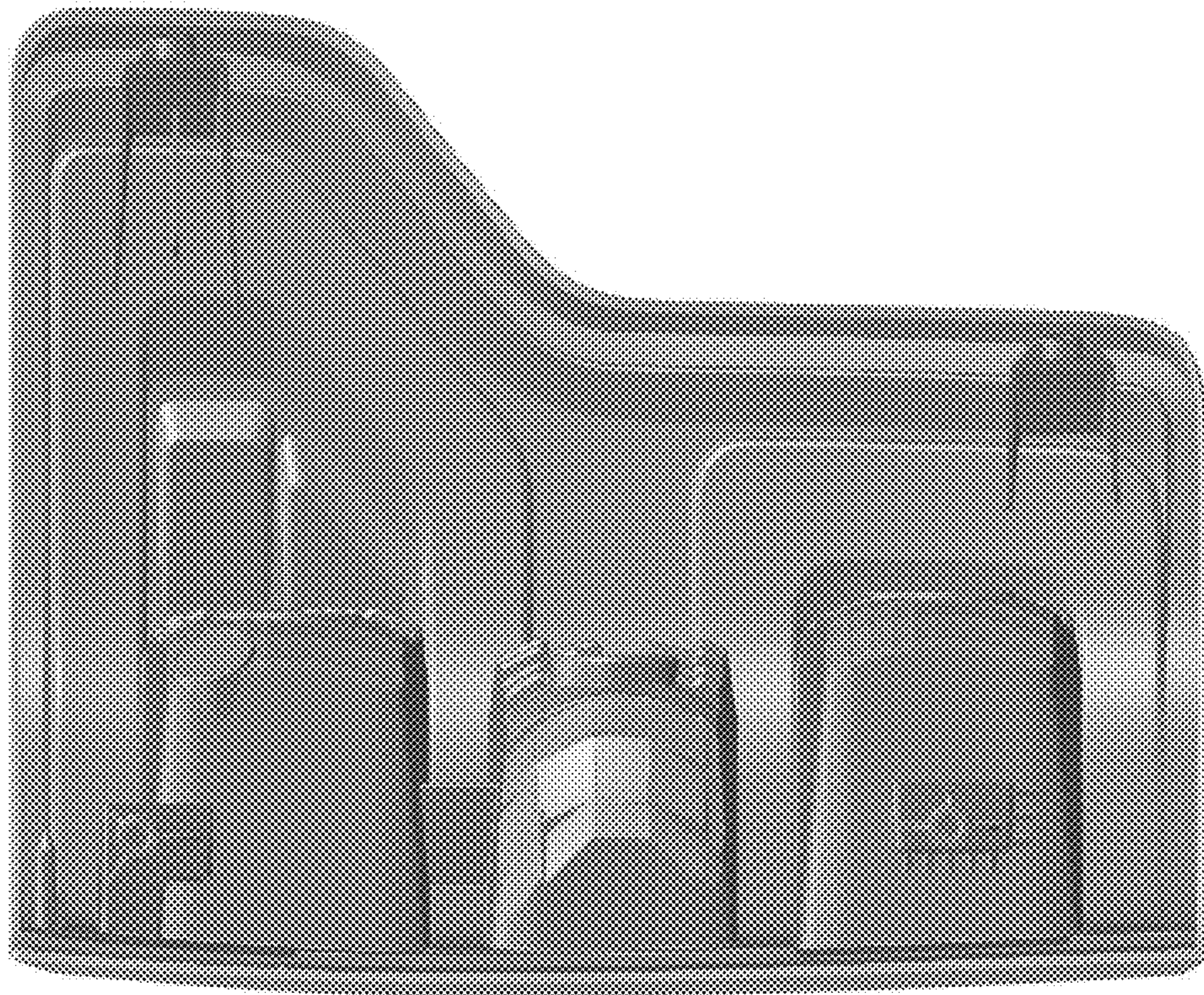


Fig. 7

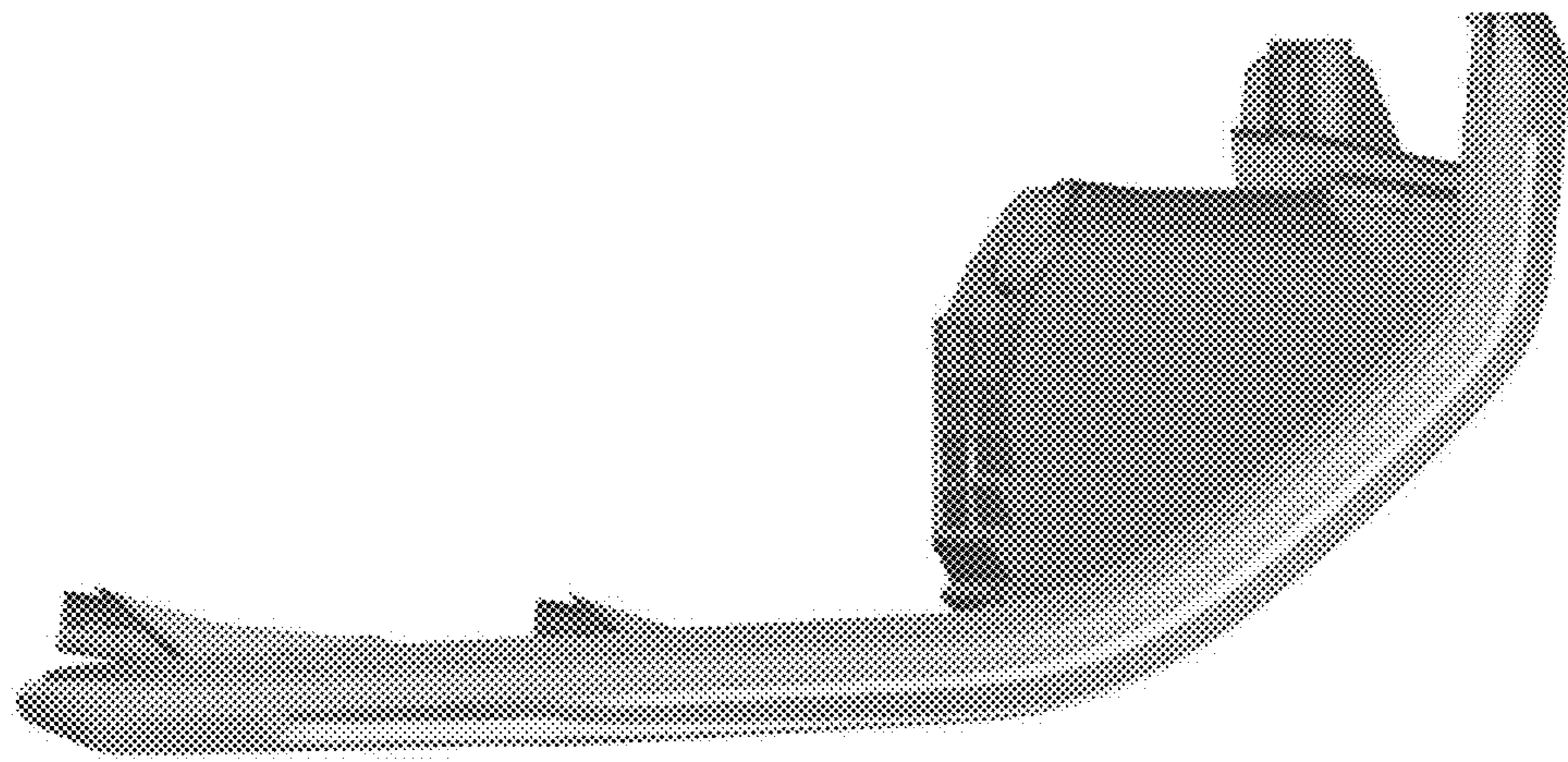


Fig. 8

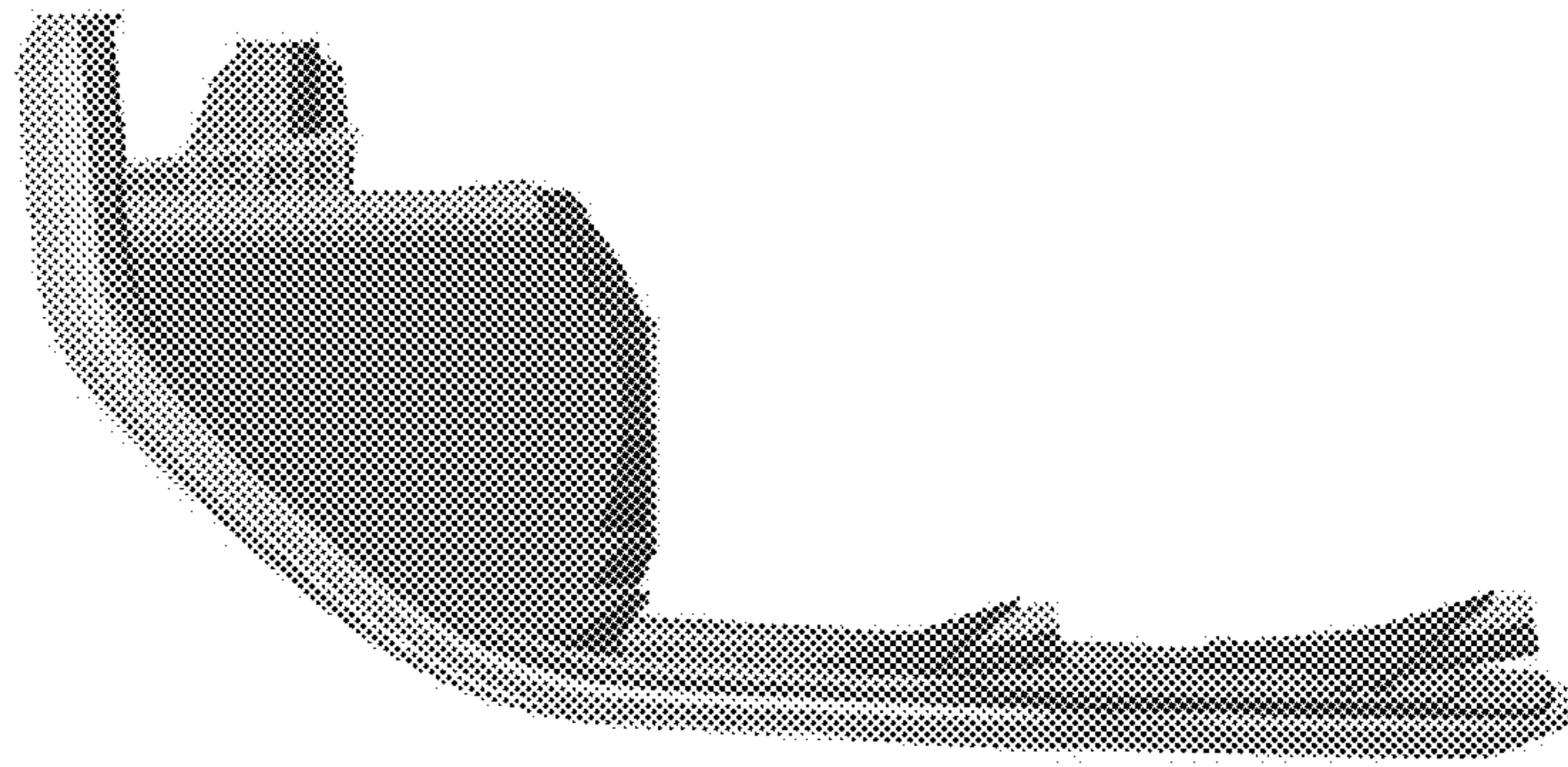


Fig. 9