



US00D806290S

(12) **United States Design Patent** (10) **Patent No.:** **US D806,290 S**
Platto et al. (45) **Date of Patent:** **** Dec. 26, 2017**

(54) **VEHICLE HEADLIGHT**
(71) Applicant: **Ford Global Technologies, LLC**,
Dearborn, MI (US)
(72) Inventors: **Gordon M. Platto**, Troy, MI (US);
Sean W. Tant, Livonia, MI (US);
Anthony Meyer, Ferndale, MI (US);
Bruce P Williams, Grosse Pointe Park,
MI (US)
(**) Term: **15 Years**
(21) Appl. No.: **29/588,174**
(22) Filed: **Dec. 19, 2016**
(51) **LOC (10) Cl.** **26-06**
(52) **U.S. Cl.**
USPC **D26/28**
(58) **Field of Classification Search**
USPC D26/28-36; 362/80-83, 267-269,
362/459-468, 475-478, 485-487
CPC F21S 48/00; F21S 48/10; F21S 48/115;
F21S 48/1233; F21S 48/1266; F21S
48/1388; F21S 48/2268; F21V 21/04
See application file for complete search history.

(56) **References Cited**
U.S. PATENT DOCUMENTS
D547,472 S 7/2007 Tant
D601,730 S * 10/2009 Richards D26/28

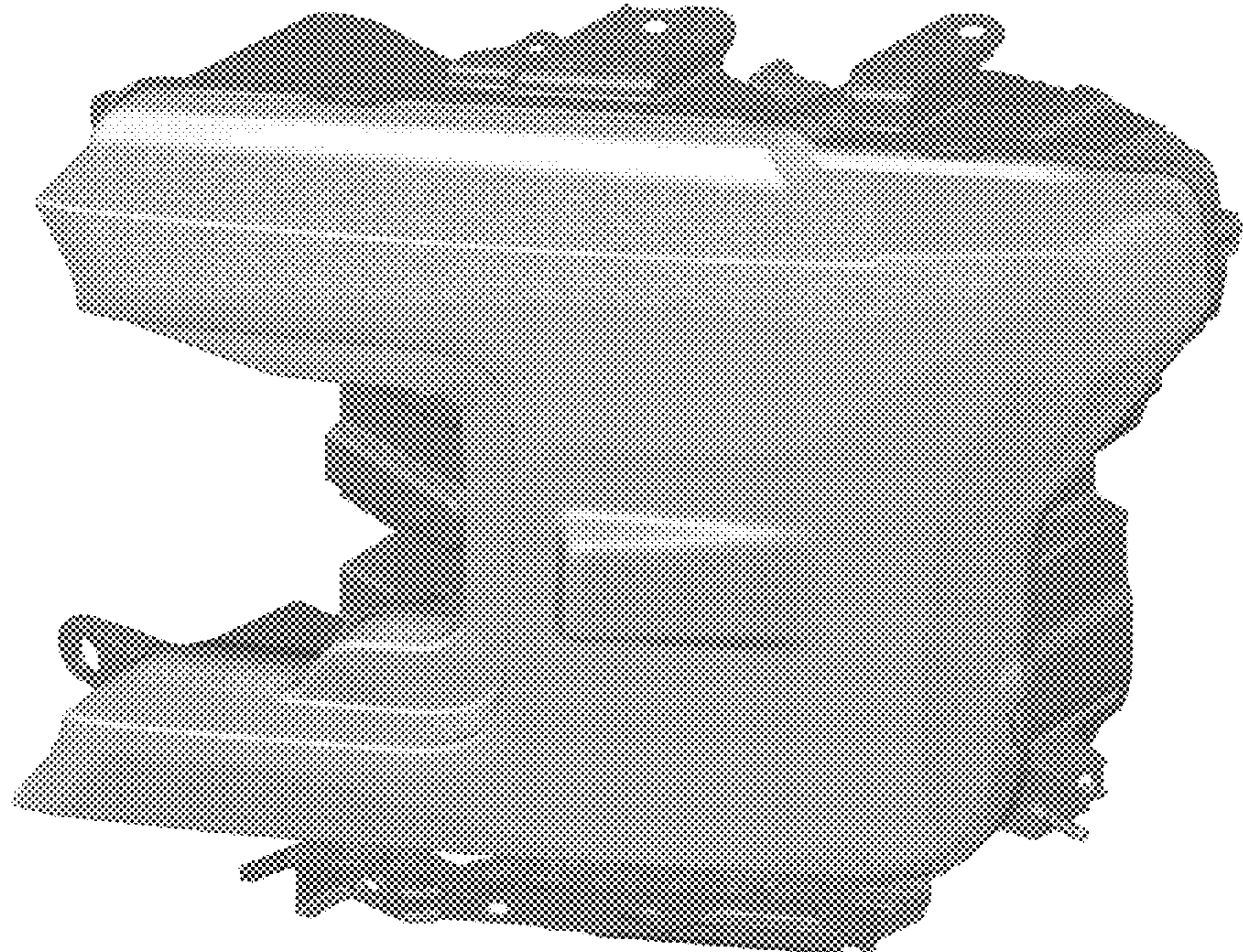
D617,477 S * 6/2010 Woolley D26/28
D634,042 S * 3/2011 Sperling D26/28
D637,327 S * 5/2011 Yang D26/28
D691,296 S * 10/2013 Platto D26/28
D708,365 S * 7/2014 Platto D26/28
D717,982 S * 11/2014 Lai D26/28
D750,816 S 3/2016 Platto

* cited by examiner
Primary Examiner — Marcus Jackson
(74) *Attorney, Agent, or Firm* — James Dottavio

(57) **CLAIM**
The ornamental design for a vehicle headlight, as shown.

DESCRIPTION
FIG. 1 is a top front perspective view of the first embodiment of a vehicle headlight, showing our new design; FIG. 2 is a bottom front perspective view thereof; FIG. 3 is a top rear perspective view thereof; FIG. 4 is a front elevational view thereof; FIG. 5 is a rear elevational view thereof; FIG. 6 is a left side elevational view thereof; FIG. 7 is a right side elevational view thereof; FIG. 8 is a top plan view thereof; and, FIG. 9 is a bottom plan view thereof. The second embodiment of the vehicle headlight is mirror image of the embodiment disclosed in FIGS. 1 through 9, and is not shown.

1 Claim, 9 Drawing Sheets



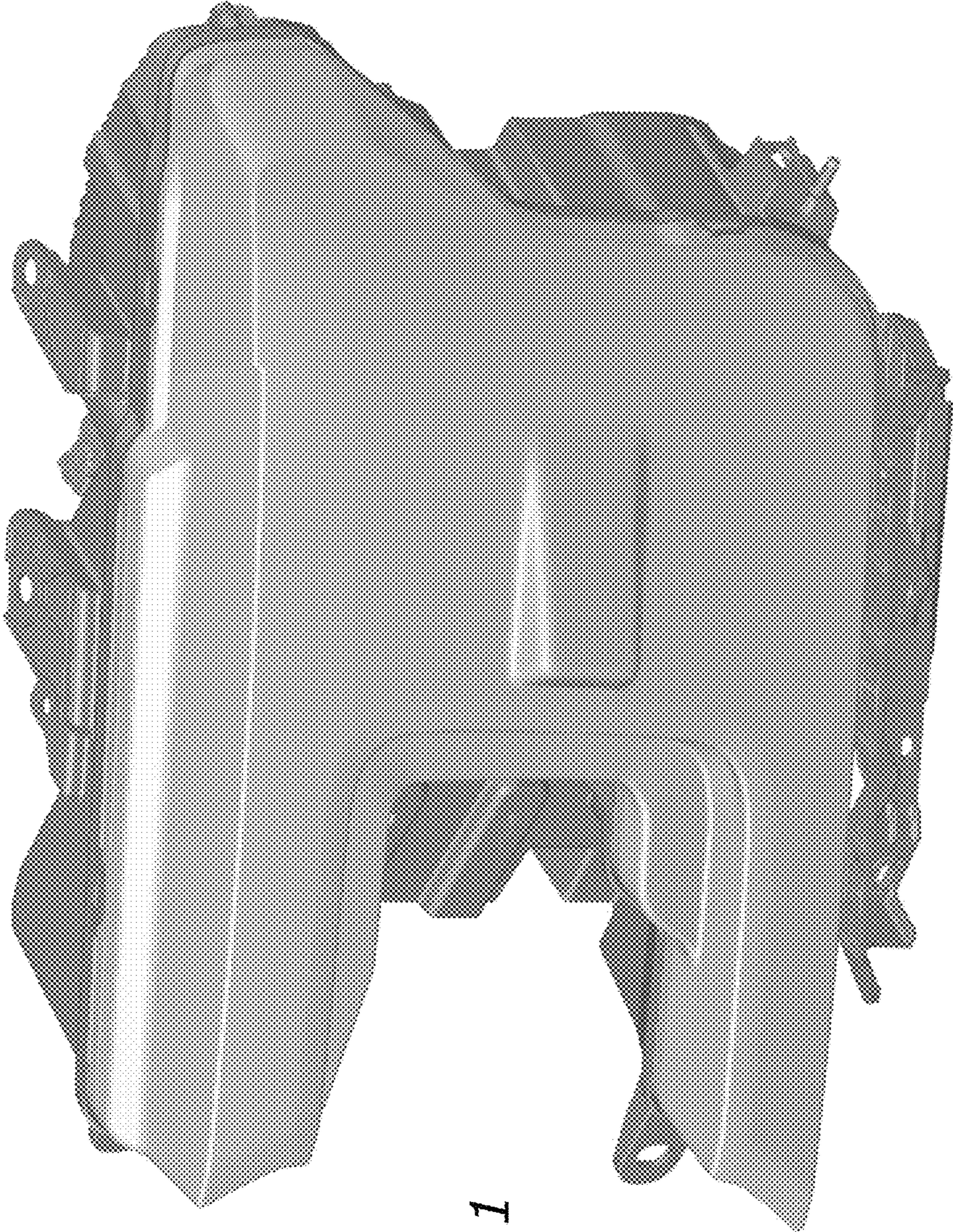


Fig. 1

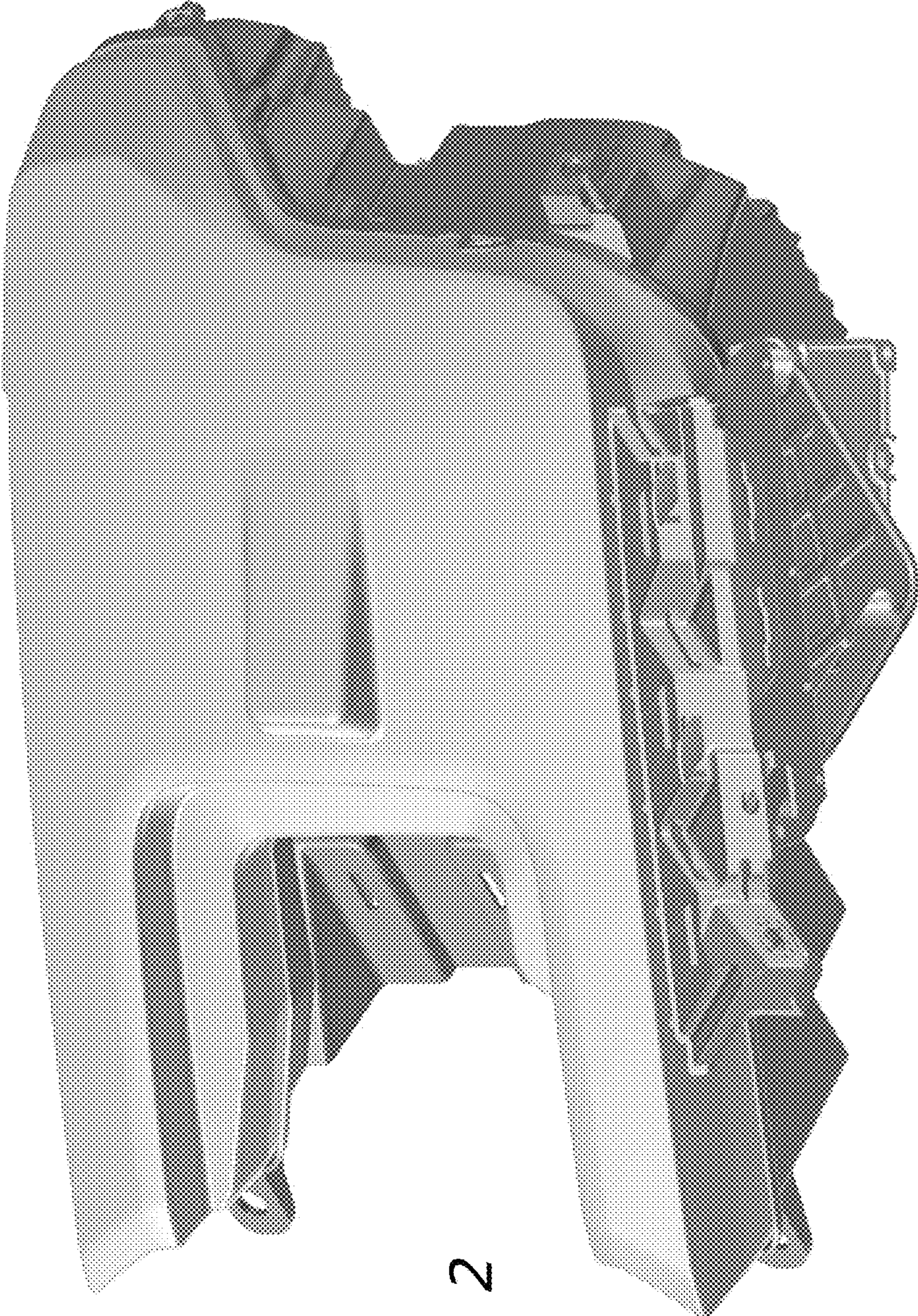
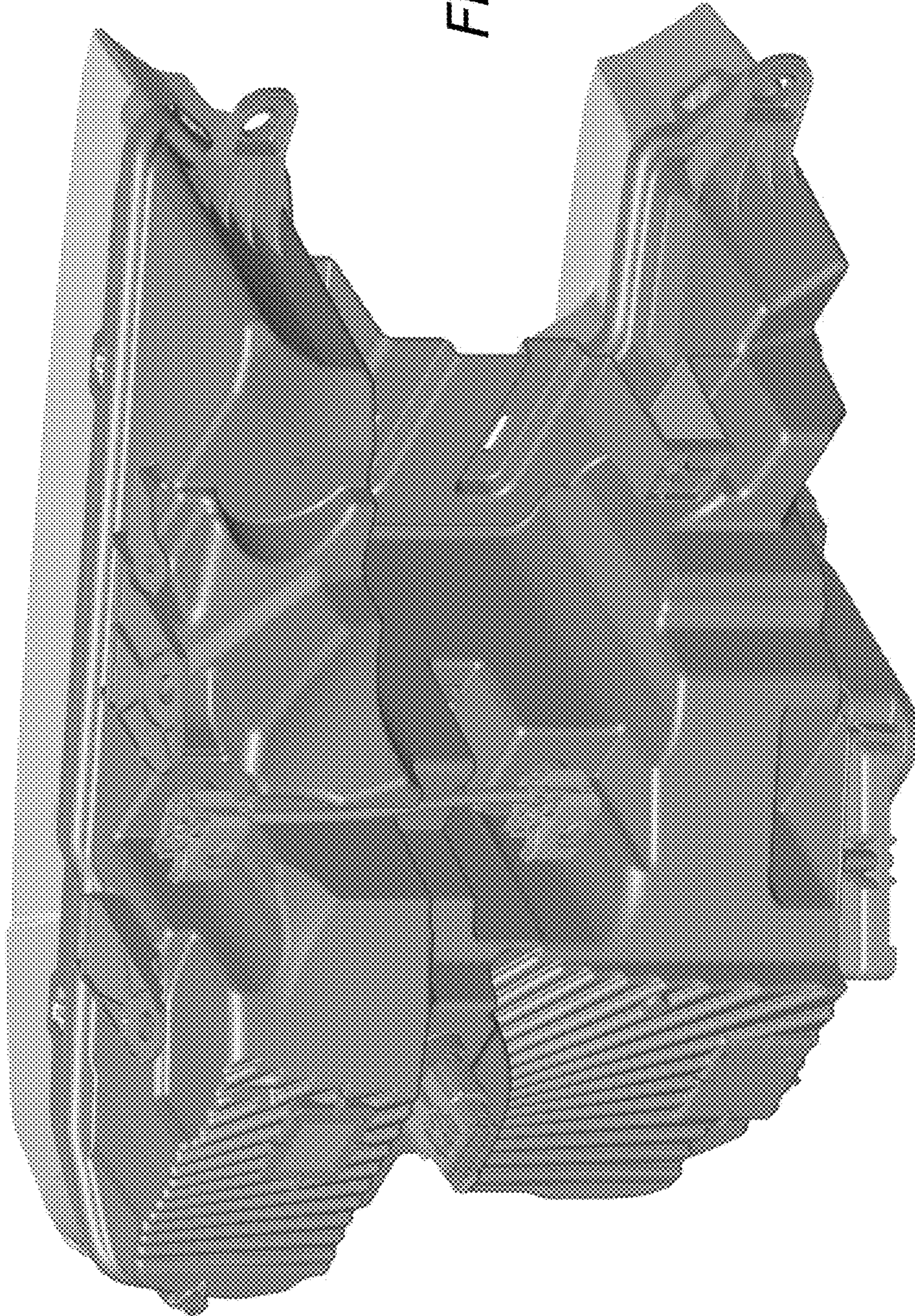


Fig. 2

Fig. 3



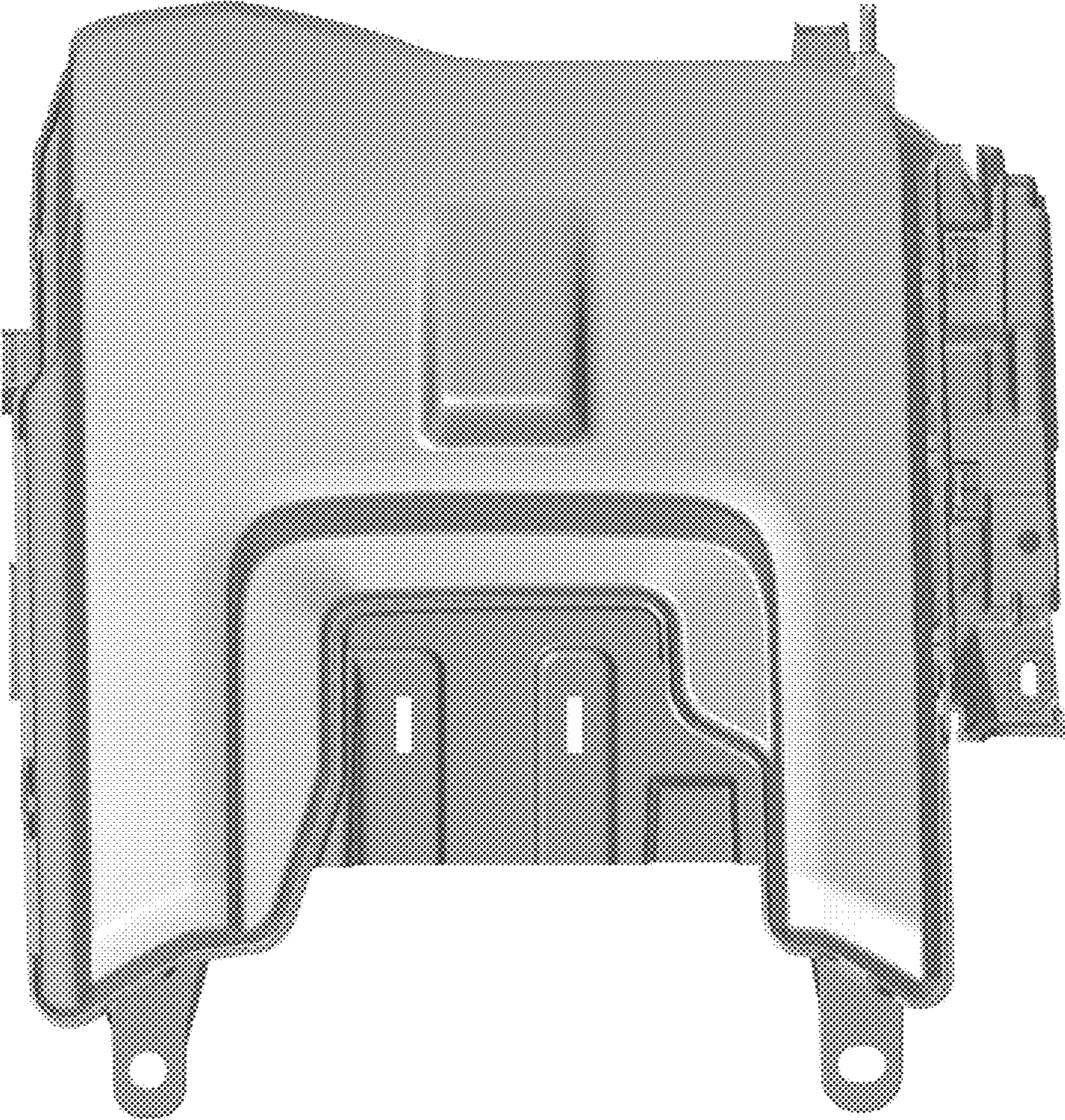
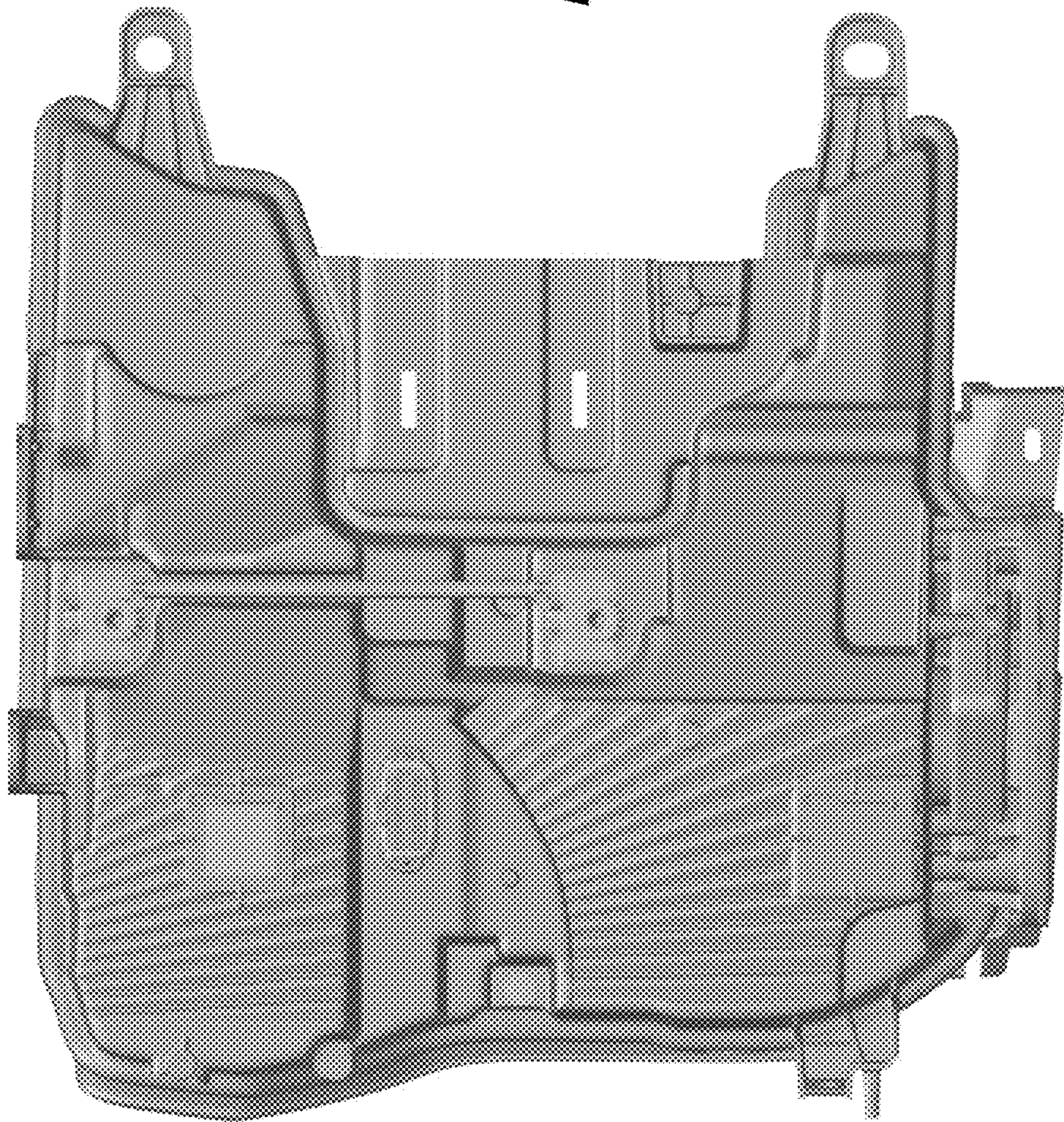


Fig. 4

Fig. 5



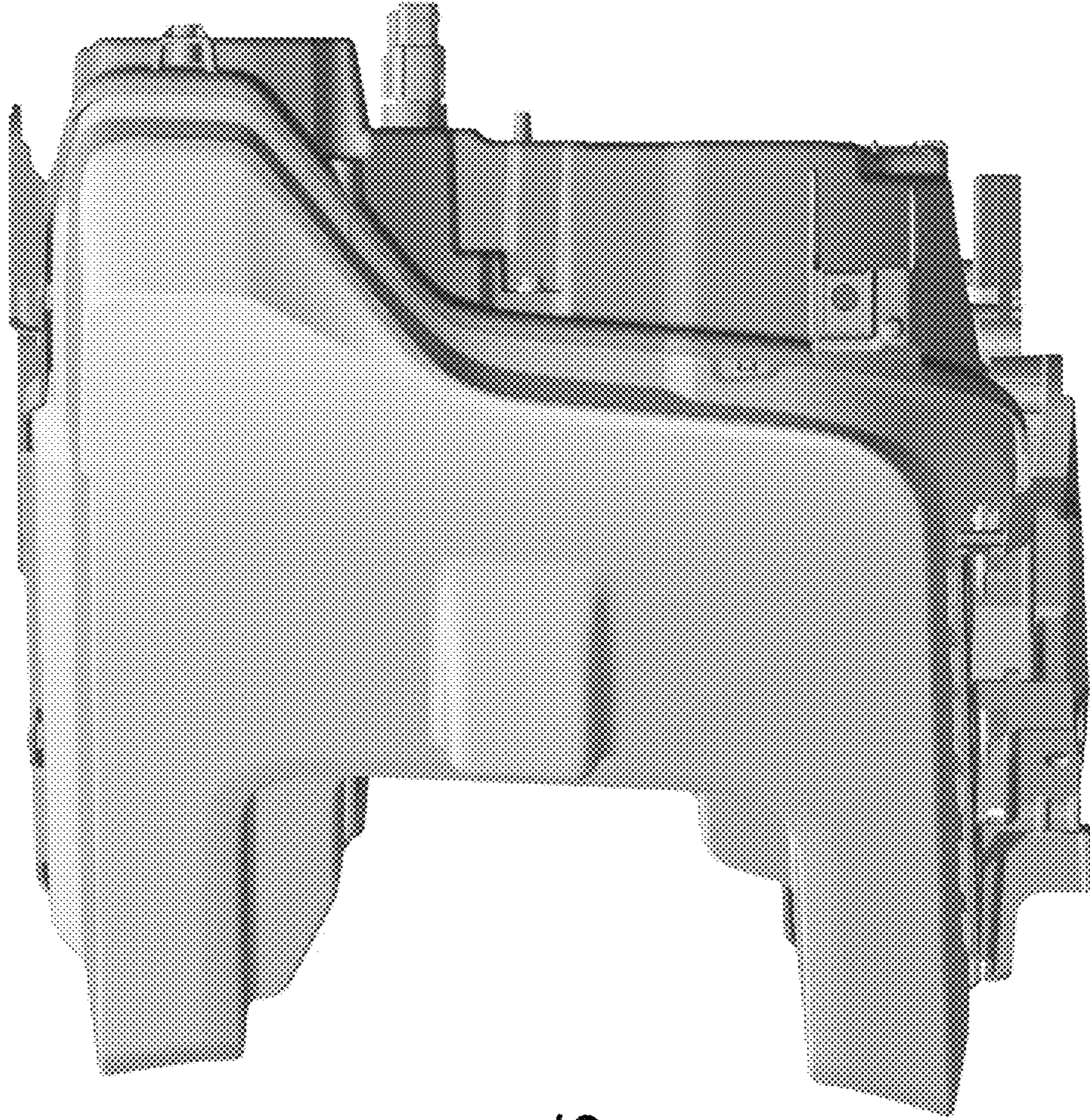


Fig. 6

Fig. 7

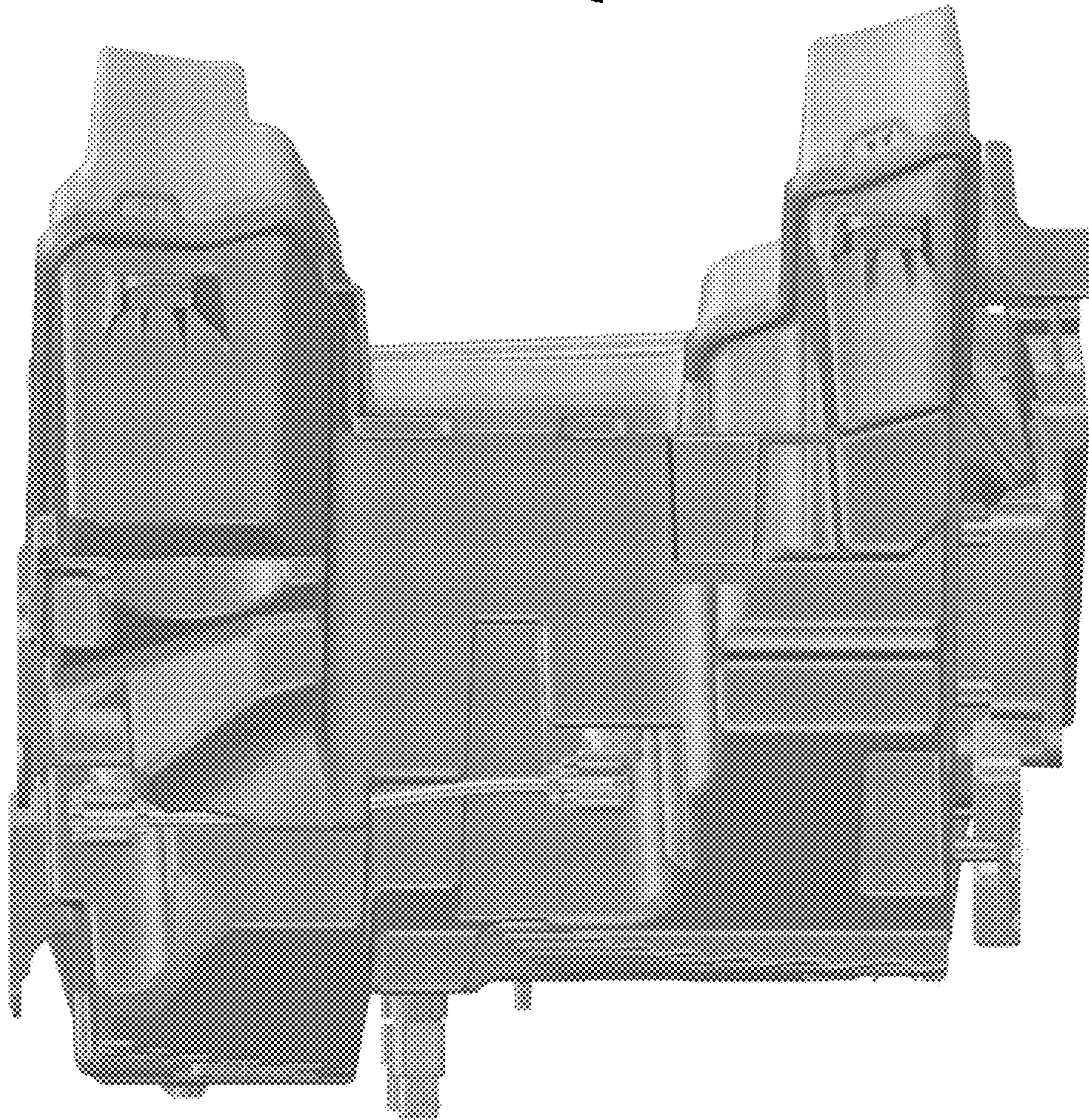


Fig. 8

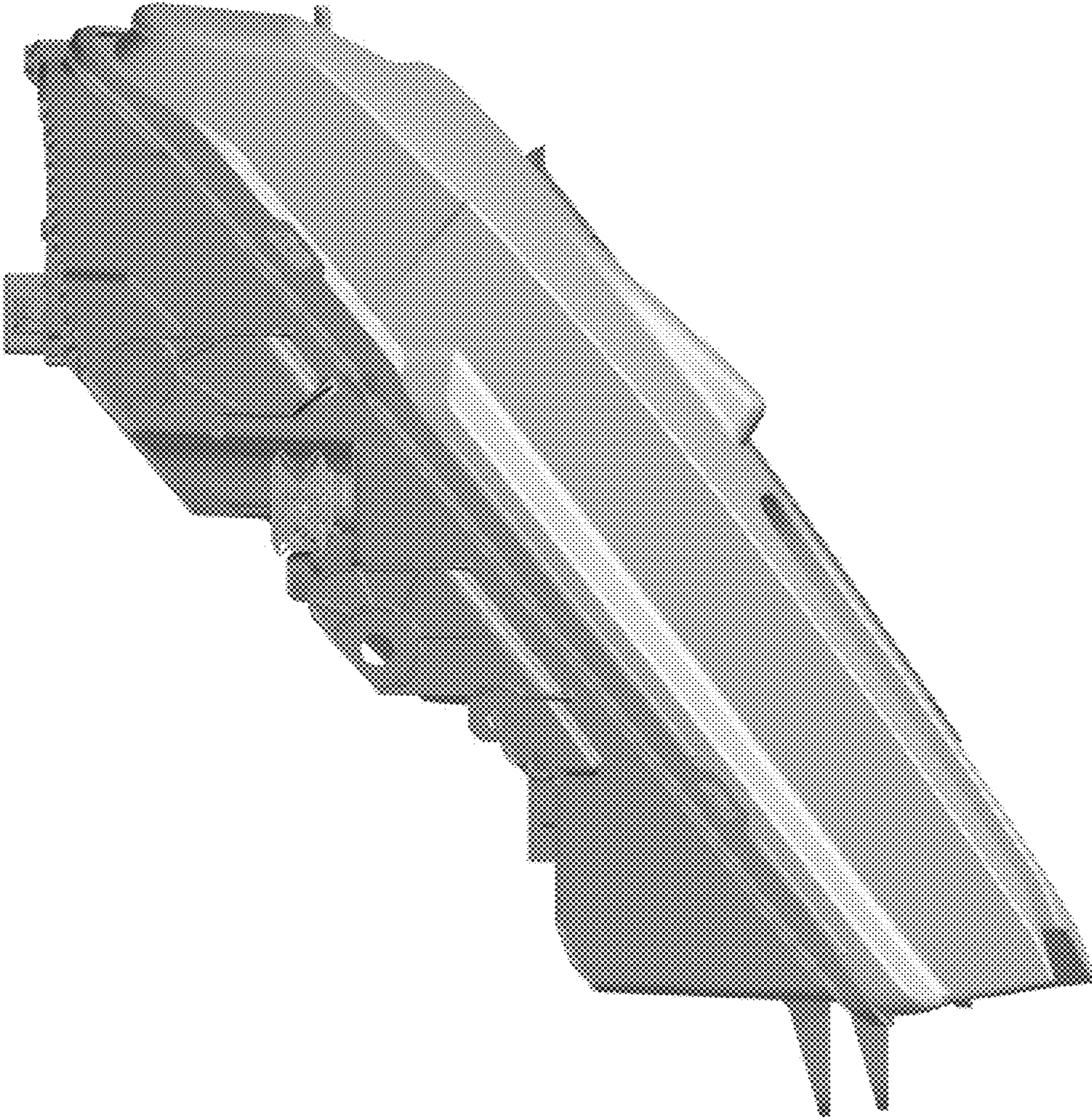


Fig. 9

