



US00D806286S

(12) **United States Design Patent**  
**Kawakami et al.**

(10) **Patent No.:** **US D806,286 S**

(45) **Date of Patent:** **\*\* Dec. 26, 2017**

(54) **REAR LIGHT FOR A MOTOR VEHICLE**

(71) Applicant: **Mazda Motor Corporation**, Hiroshima (JP)

(72) Inventors: **Kouhei Kawakami**, Hiroshima (JP);  
**Atsushi Yoshida**, Hiroshima (JP);  
**Tamami Sato**, Hiroshima (JP);  
**Kazuhiro Ito**, Hiroshima (JP)

(73) Assignee: **Mazda Motor Corporation**, Hiroshima (JP)

(\*\*) Term: **15 Years**

(21) Appl. No.: **29/582,342**

(22) Filed: **Oct. 27, 2016**

(30) **Foreign Application Priority Data**

Apr. 27, 2016 (JP) ..... D2016-009220

(51) **LOC (10) Cl.** ..... **26-06**

(52) **U.S. Cl.**  
USPC ..... **D26/28**

(58) **Field of Classification Search**  
USPC ..... D26/28-36; 362/80-83, 267-269,  
362/459-468, 475-478, 485-487  
CPC ..... F21S 48/00; F21S 48/10; F21S 48/115;  
F21S 48/1233; F21S 48/1266; F21S  
48/1388; F21S 48/2268; F21V 21/04  
See application file for complete search history.

(56) **References Cited**

**U.S. PATENT DOCUMENTS**

D657,482 S \* 4/2012 Kong ..... D26/28  
D658,321 S 4/2012 Takeda et al.

D675,353 S \* 1/2013 Kazama ..... D26/28  
D710,523 S \* 8/2014 Kaneda ..... D26/28  
D739,583 S \* 9/2015 Forsgren ..... D26/28  
D747,821 S 1/2016 Yoshida et al.  
D756,003 S \* 5/2016 Kong ..... D26/28  
D756,004 S \* 5/2016 Kong ..... D26/28  
D760,409 S \* 6/2016 Arroba ..... D26/28  
D761,986 S 7/2016 Obatake et al.  
D762,312 S \* 7/2016 Wada ..... D26/28

\* cited by examiner

*Primary Examiner* — Marcus Jackson

(74) *Attorney, Agent, or Firm* — Studebaker & Brackett  
PC

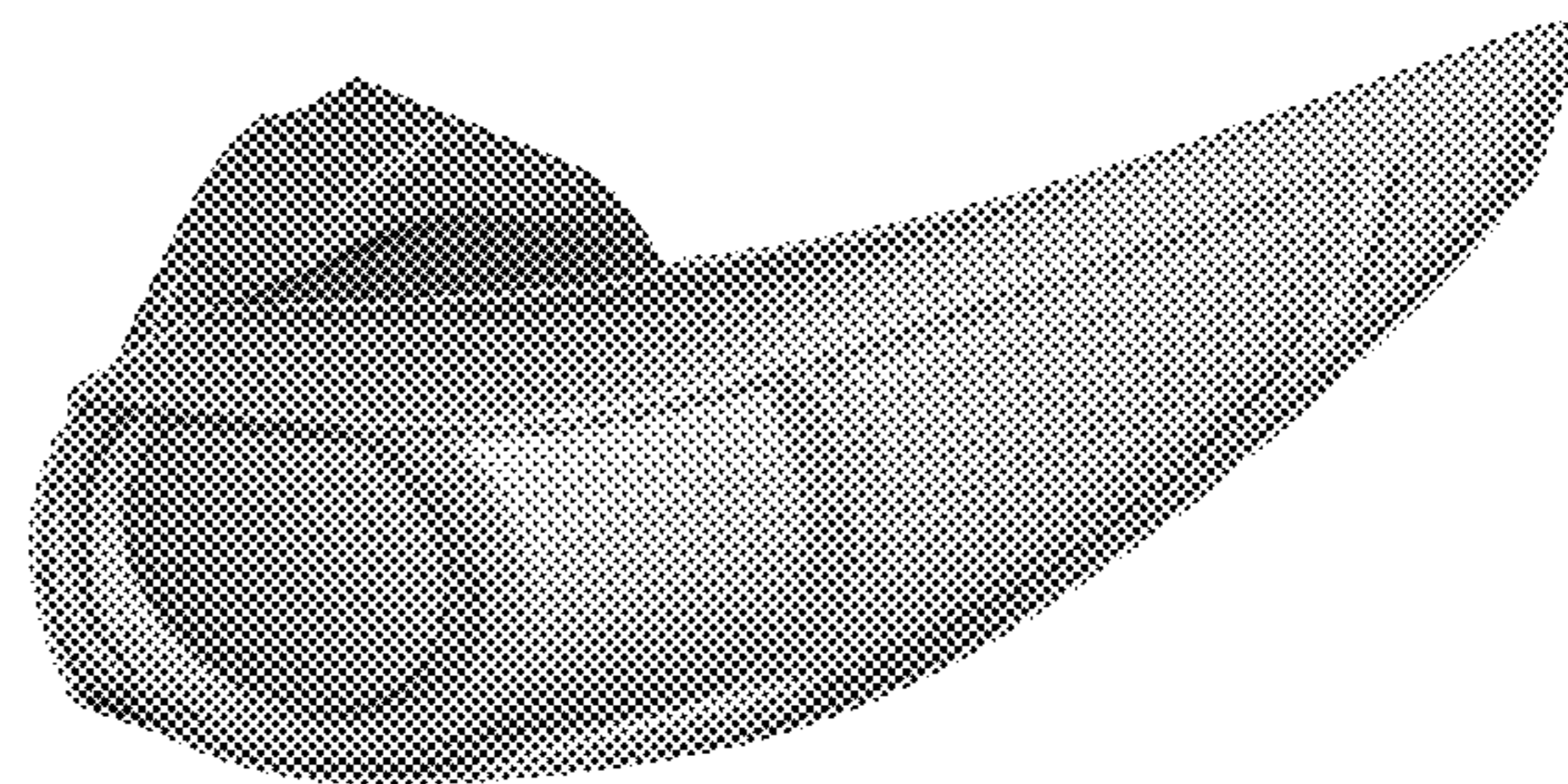
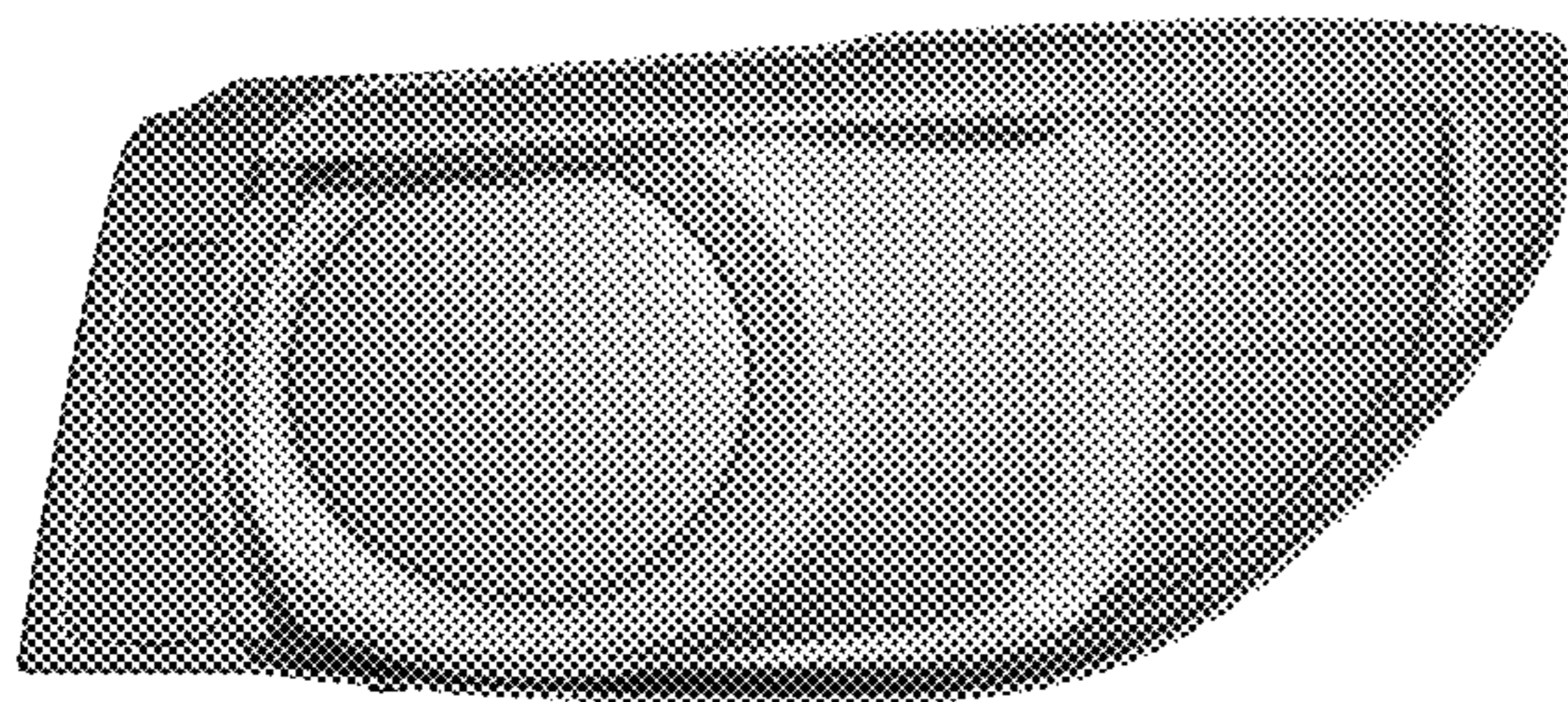
(57) **CLAIM**

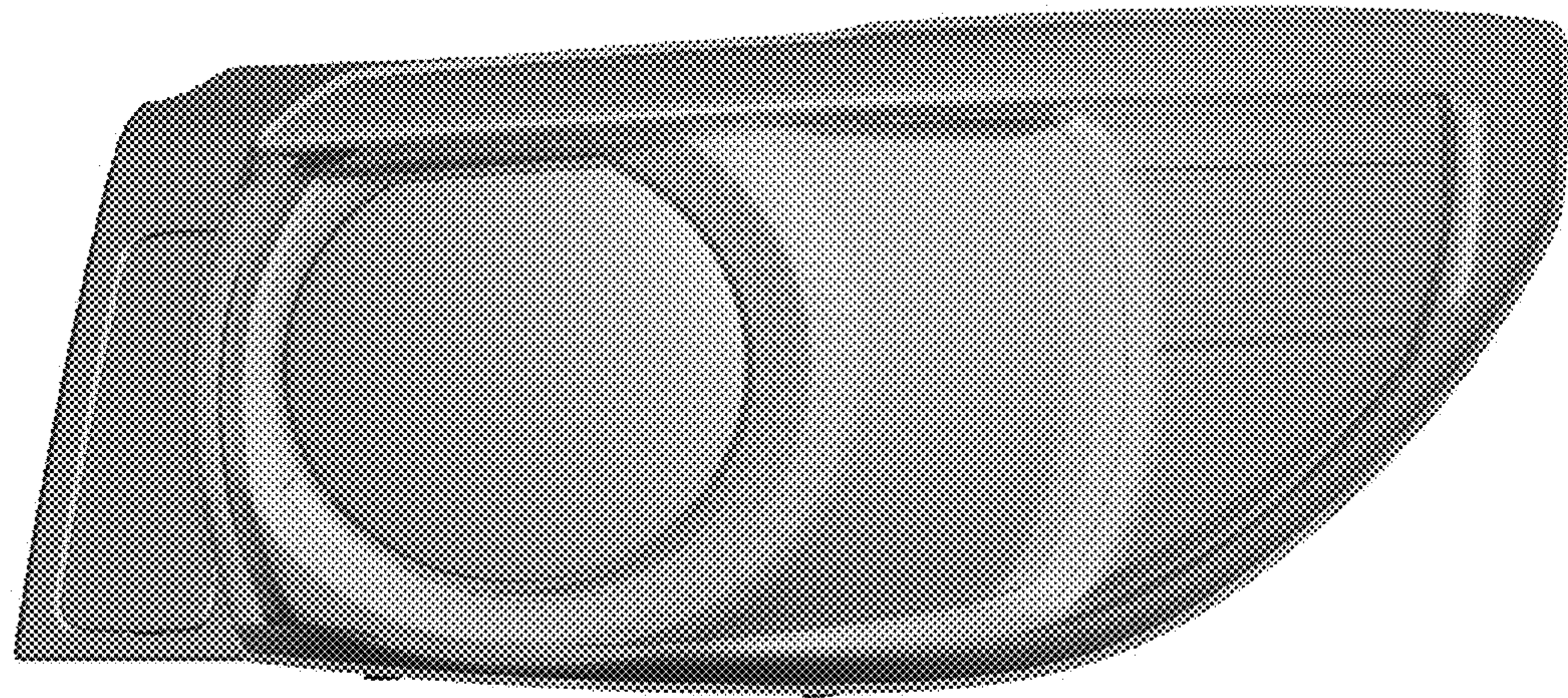
The ornamental design for a rear light for a motor vehicle,  
as shown and described.

**DESCRIPTION**

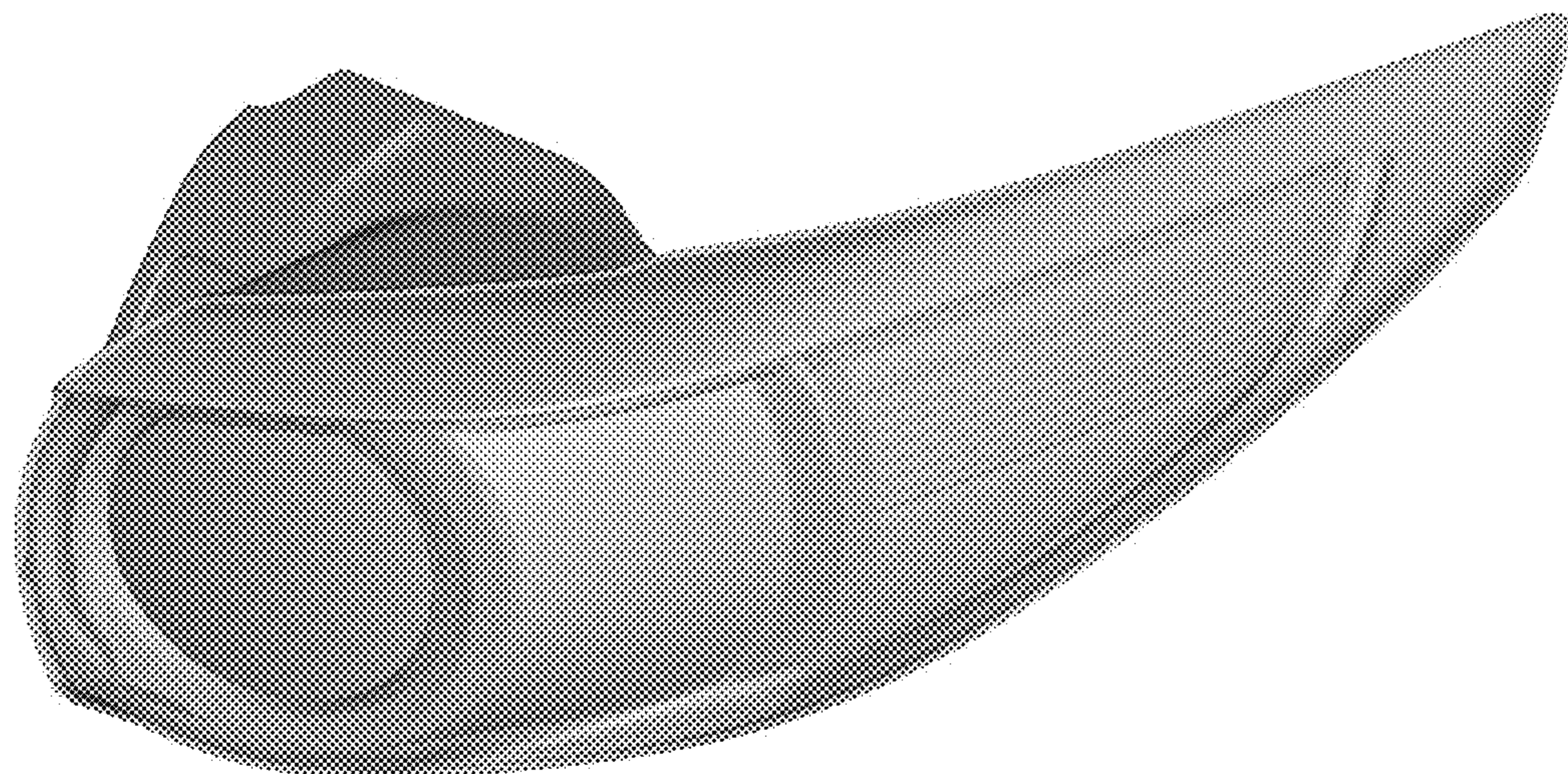
FIG. 1 is an enlarged first perspective view of a rear light for a motor vehicle;  
FIG. 2 is an enlarged second perspective view thereof;  
FIG. 3 is a front view thereof;  
FIG. 4 is a rear view thereof;  
FIG. 5 is a left side view thereof;  
FIG. 6 is a right side view thereof;  
FIG. 7 is a top view thereof;  
FIG. 8 is a bottom view thereof; and,  
FIG. 9 is an enlarged front view thereof.

**1 Claim, 5 Drawing Sheets**

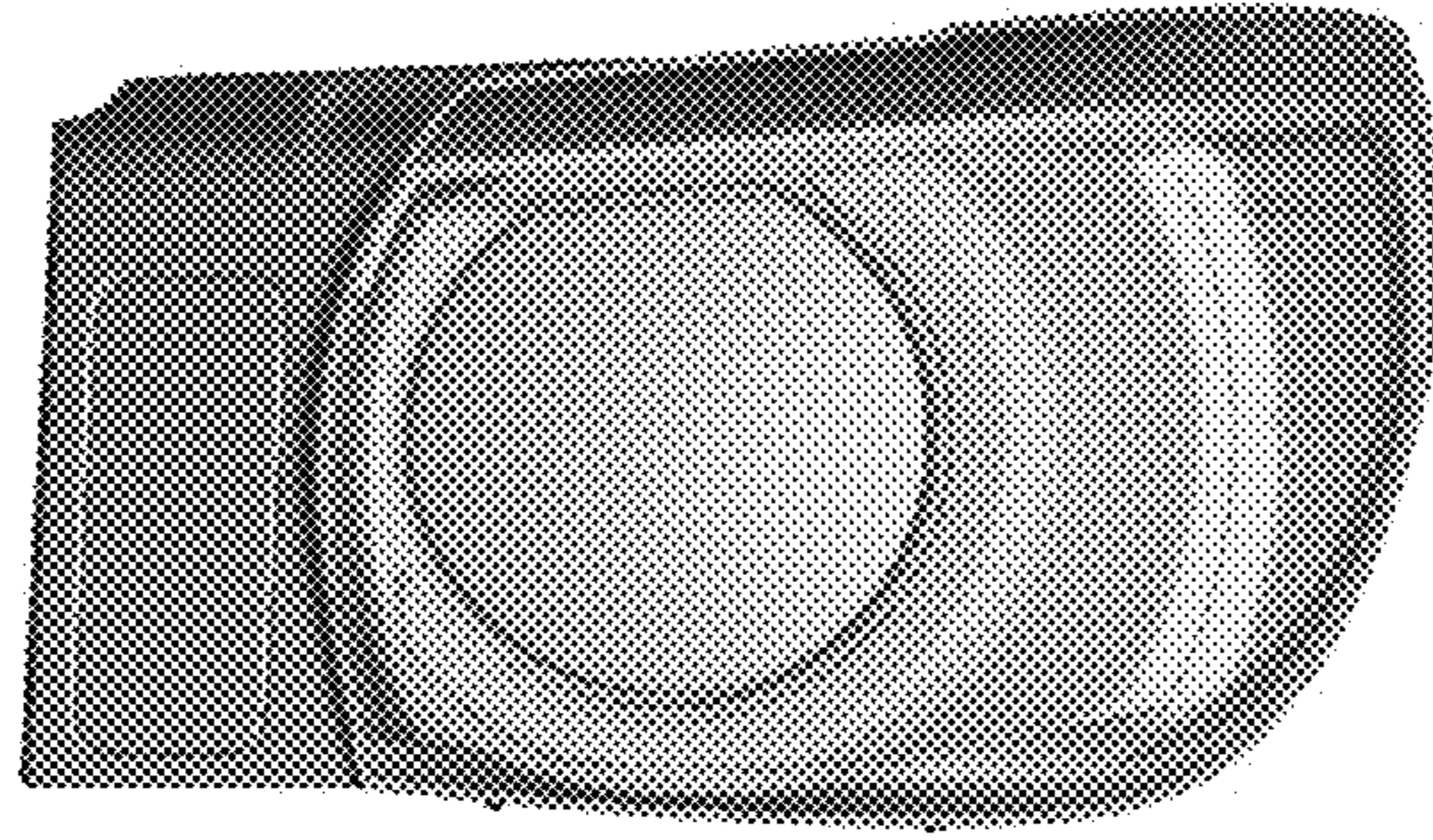




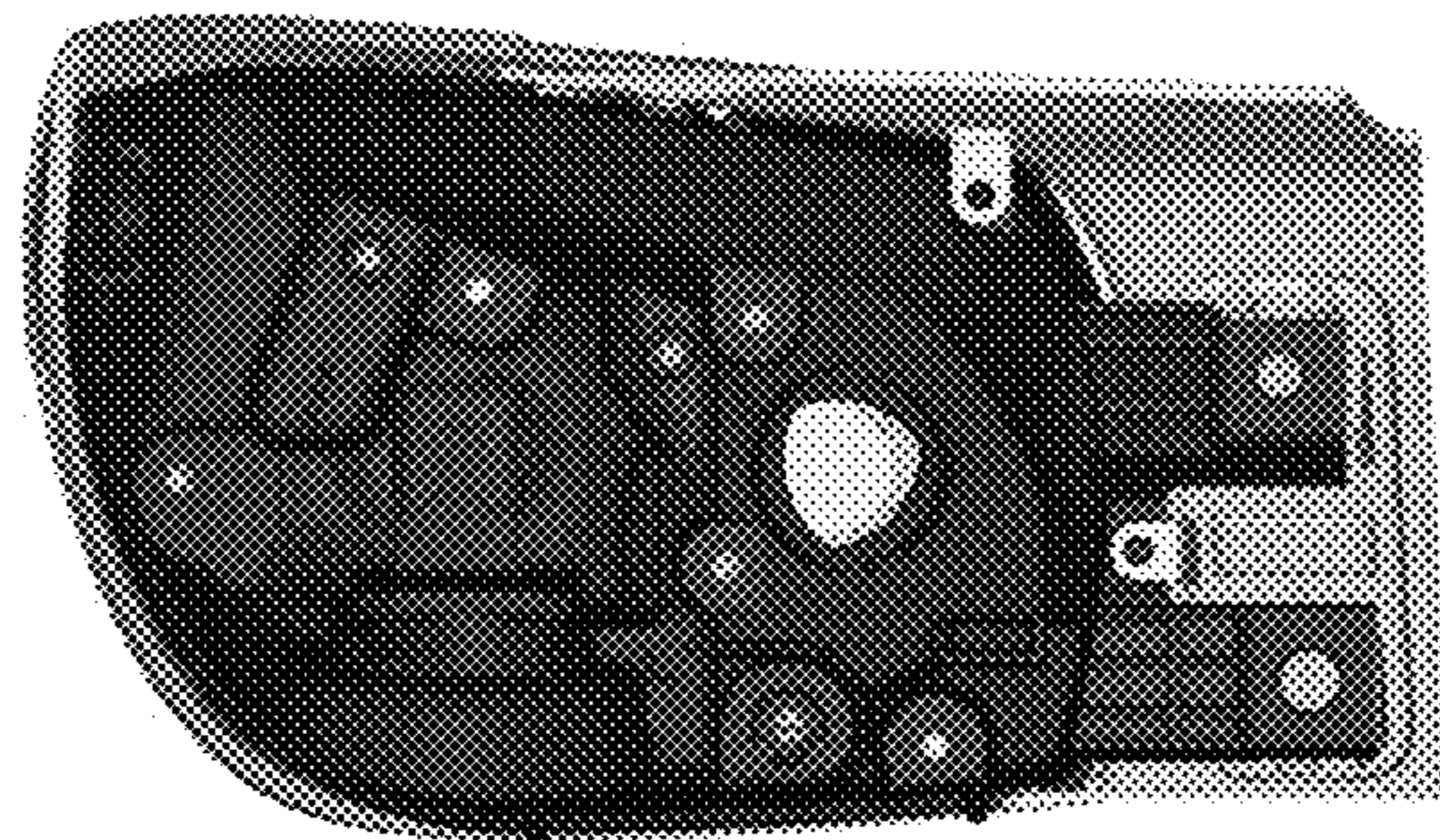
*FIG. 1*



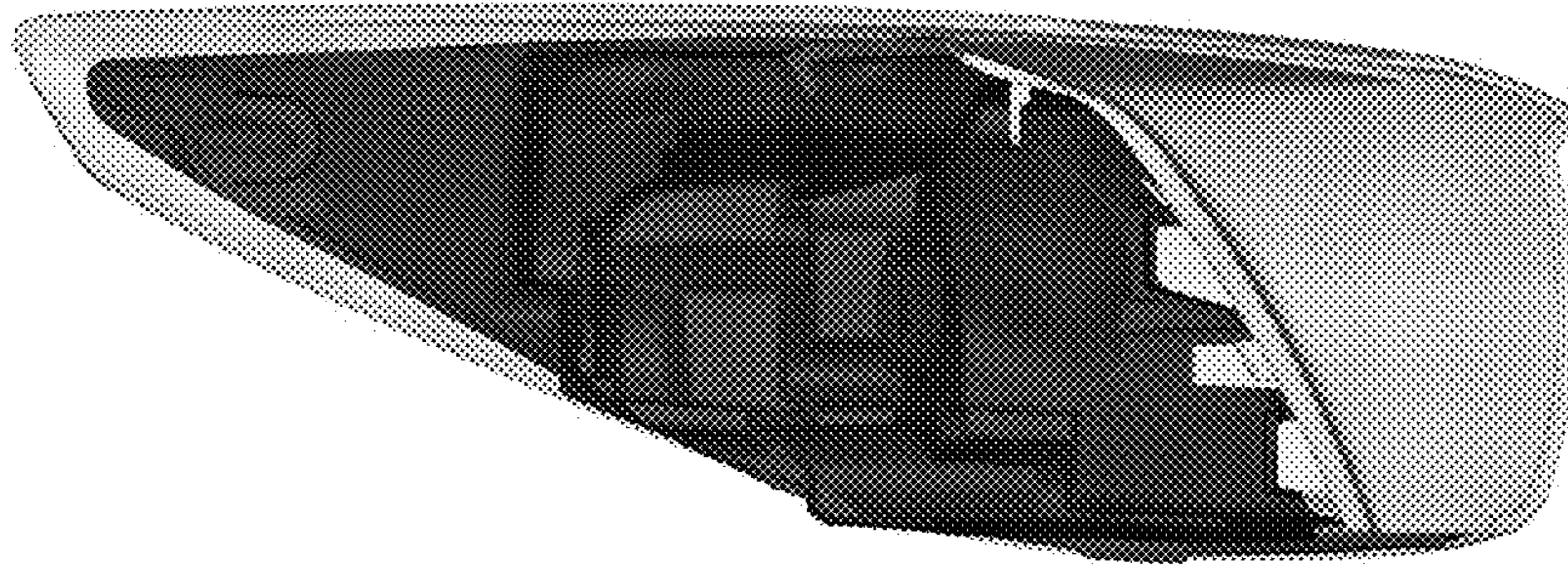
*FIG. 2*



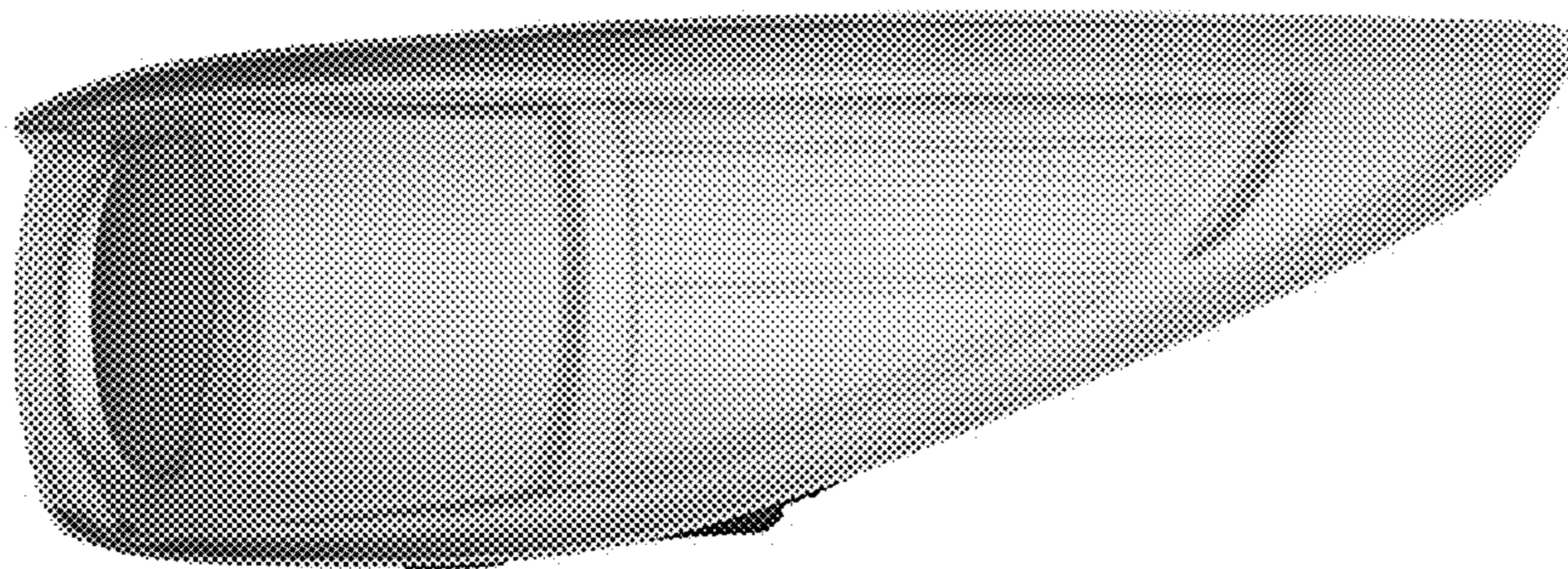
*FIG. 3*



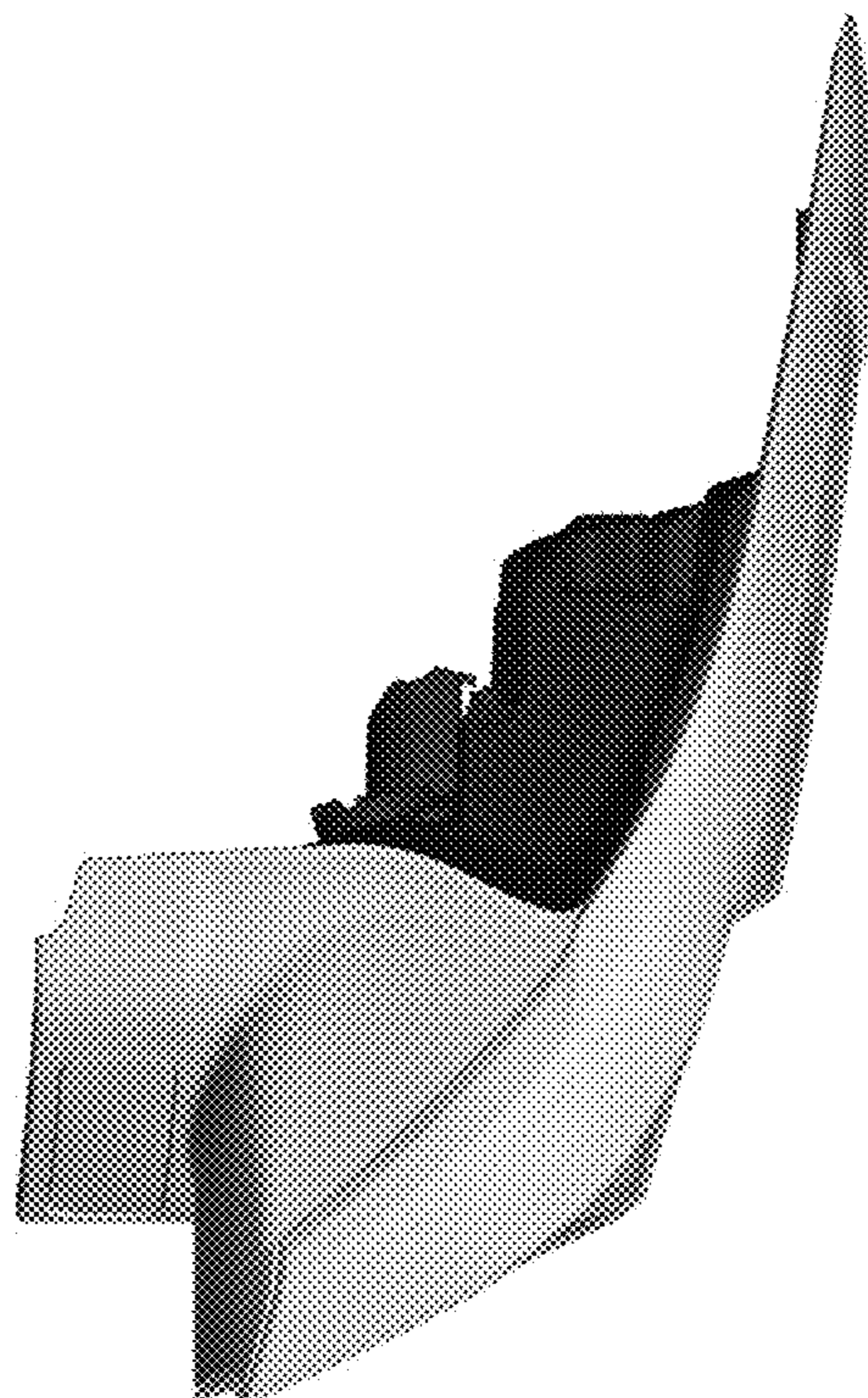
*FIG. 4*



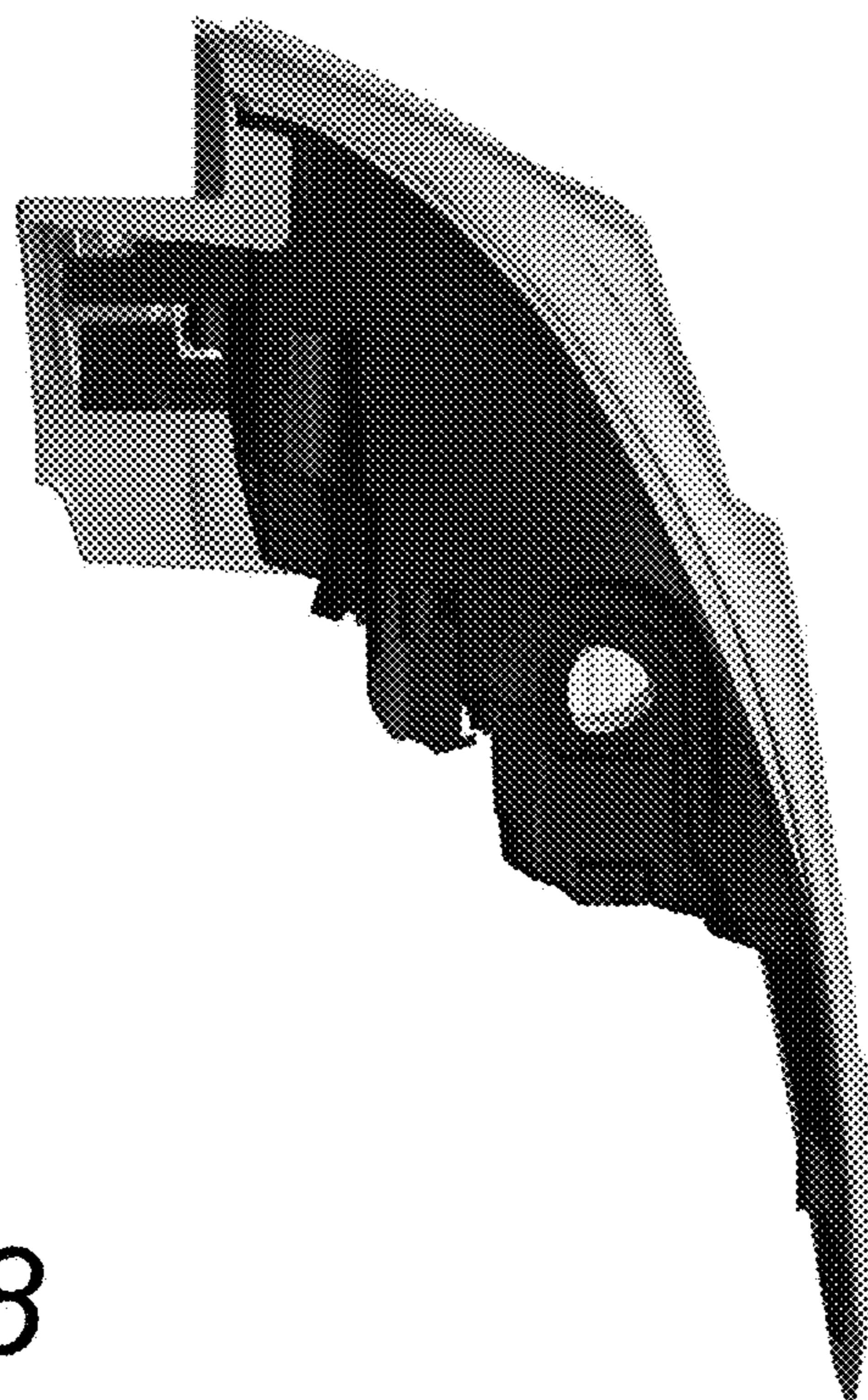
*FIG. 5*



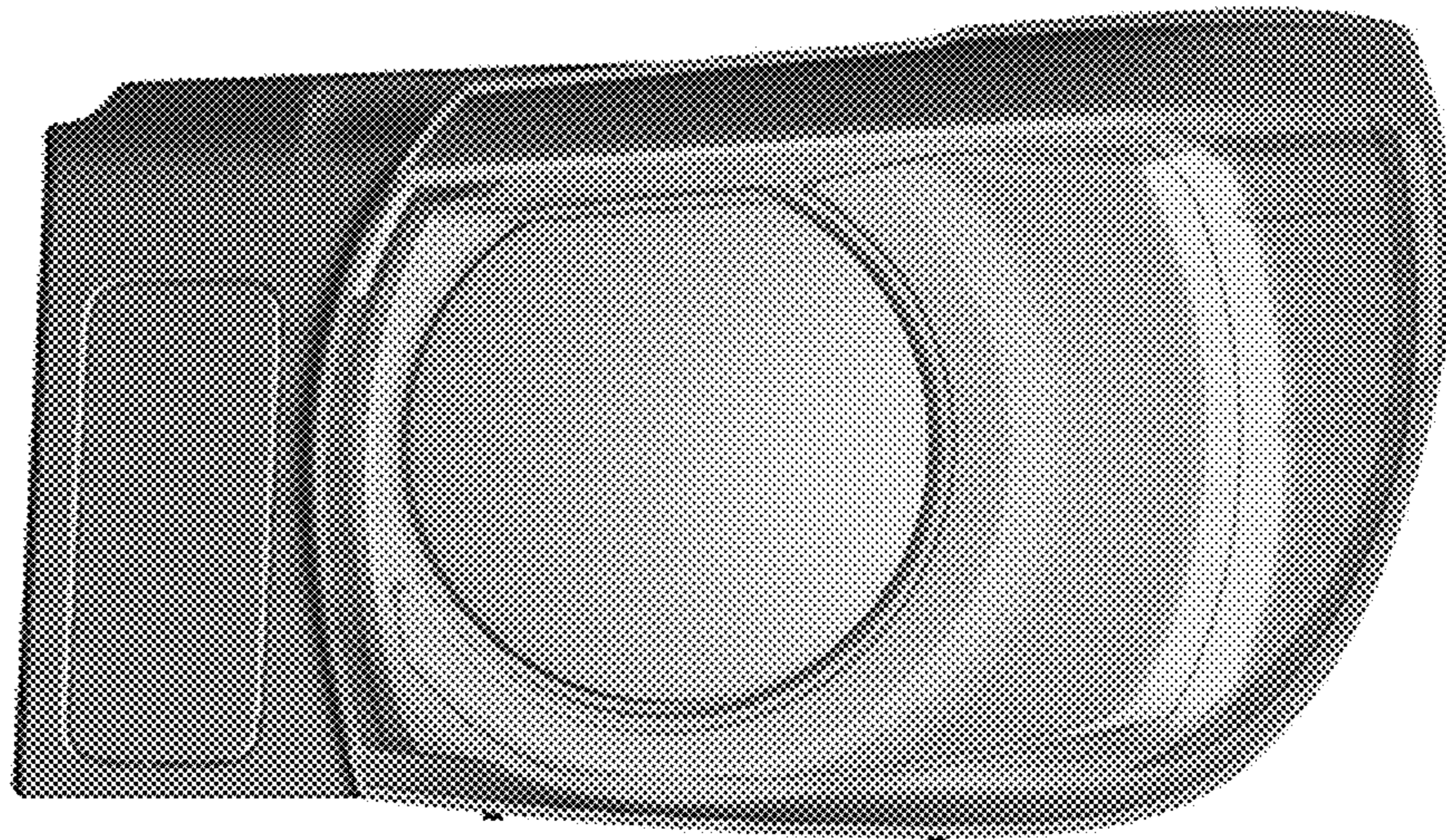
*FIG. 6*



*FIG. 7*



*FIG. 8*



*FIG. 9*