



US00D806285S

(12) **United States Design Patent**
Kawakami et al.

(10) **Patent No.:** **US D806,285 S**

(45) **Date of Patent:** **** Dec. 26, 2017**

(54) **REAR LIGHT FOR A MOTOR VEHICLE**

(71) Applicant: **Mazda Motor Corporation**, Hiroshima (JP)

(72) Inventors: **Kouhei Kawakami**, Hiroshima (JP);
Atsushi Yoshida, Hiroshima (JP);
Tamami Sato, Hiroshima (JP);
Kazuhiro Ito, Hiroshima (JP)

(73) Assignee: **Mazda Motor Corporation**, Hiroshima (JP)

(**) Term: **15 Years**

(21) Appl. No.: **29/582,338**

(22) Filed: **Oct. 27, 2016**

(30) **Foreign Application Priority Data**

Apr. 27, 2016 (JP) D2016-009219

(51) **LOC (10) Cl.** **26-06**

(52) **U.S. Cl.**
USPC **D26/28**

(58) **Field of Classification Search**
USPC D26/28-36; 362/80-83, 267-269,
362/459-468, 475-478, 485-487
CPC F21S 48/00; F21S 48/10; F21S 48/115;
F21S 48/1233; F21S 48/1266; F21S
48/1388; F21S 48/2268; F21V 21/04
See application file for complete search history.

(56) **References Cited**

U.S. PATENT DOCUMENTS

D657,482 S * 4/2012 Kong D26/28
D658,321 S 4/2012 Takeda et al.

D660,483 S * 5/2012 Gotschke D26/28
D710,523 S * 8/2014 Kaneda D26/28
D739,583 S * 9/2015 Forsgren D26/28
D747,821 S 1/2016 Yoshida et al.
D749,756 S * 2/2016 Beaven D26/28
D756,003 S * 5/2016 Kong D26/28
D756,004 S * 5/2016 Kong D26/28
D761,986 S 7/2016 Obatake et al.
D762,312 S * 7/2016 Wada D26/28

* cited by examiner

Primary Examiner — Marcus Jackson

(74) *Attorney, Agent, or Firm* — Studebaker & Brackett
PC

(57) **CLAIM**

The ornamental design for a rear light for a motor vehicle,
as shown and described.

DESCRIPTION

FIG. 1 is an enlarged first perspective view of a rear light for a motor vehicle;
FIG. 2 is an enlarged second perspective view thereof;
FIG. 3 is a front view thereof;
FIG. 4 is a rear view thereof;
FIG. 5 is a left side view thereof;
FIG. 6 is a right side view thereof;
FIG. 7 is a top view thereof;
FIG. 8 is a bottom view thereof; and,
FIG. 9 is an enlarged front view thereof.

1 Claim, 5 Drawing Sheets

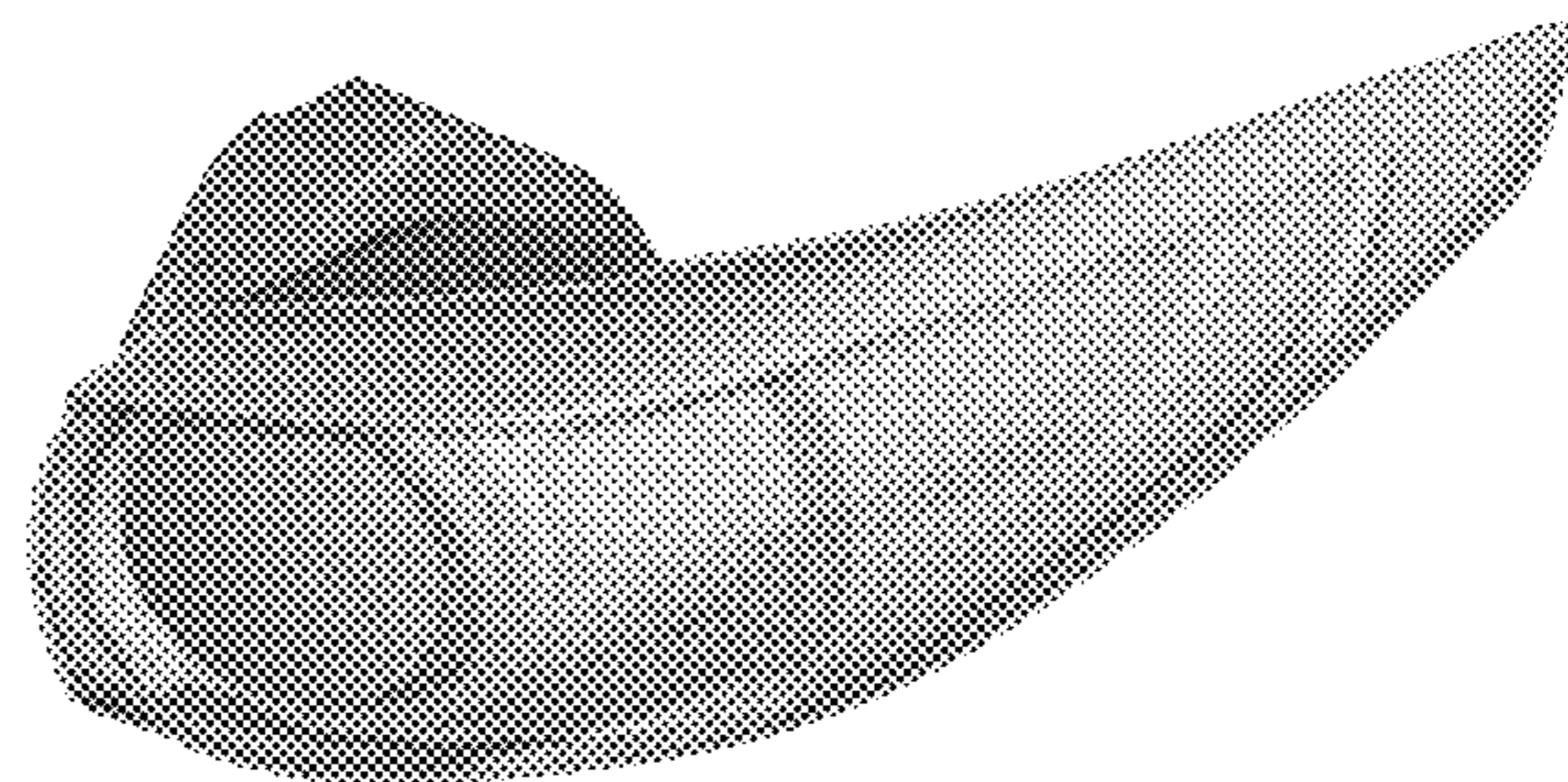
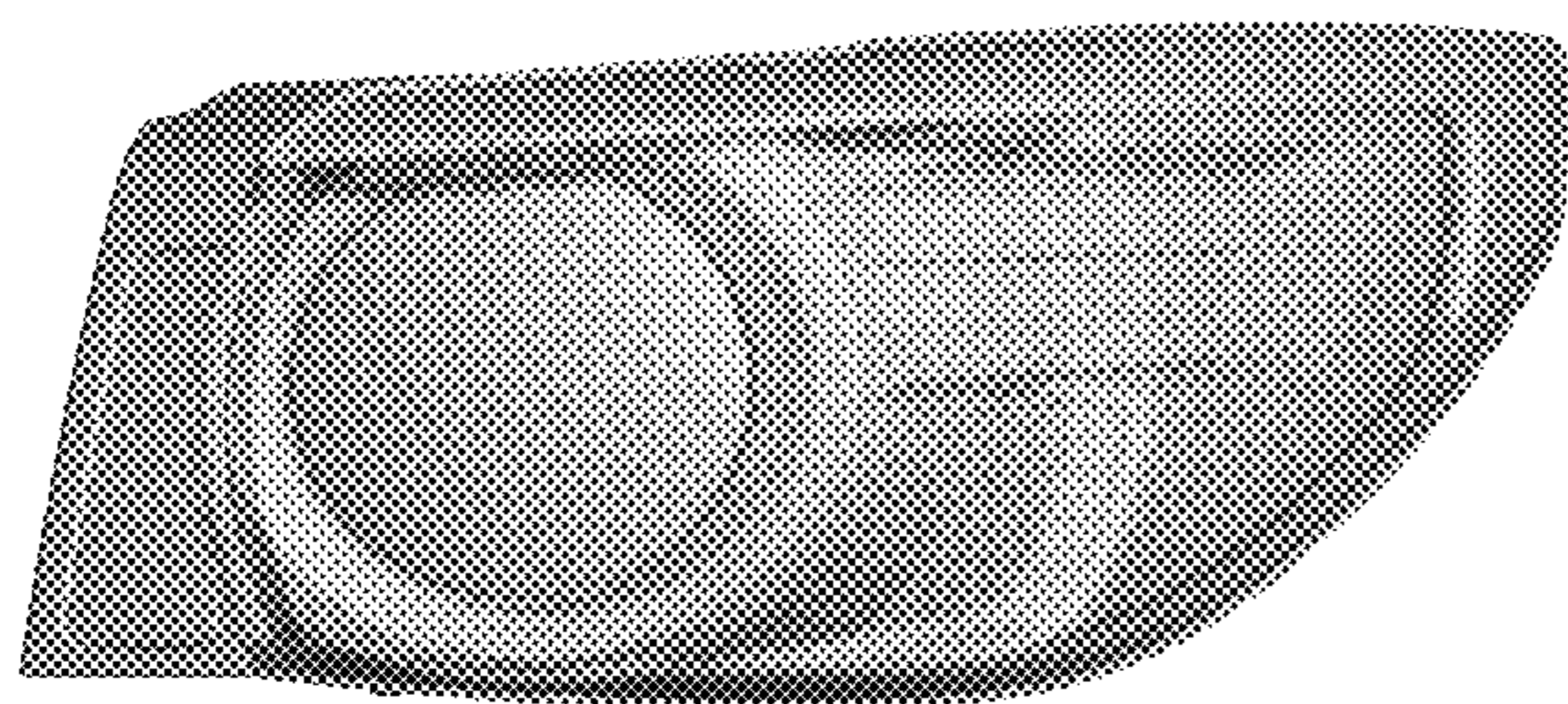




FIG. 1

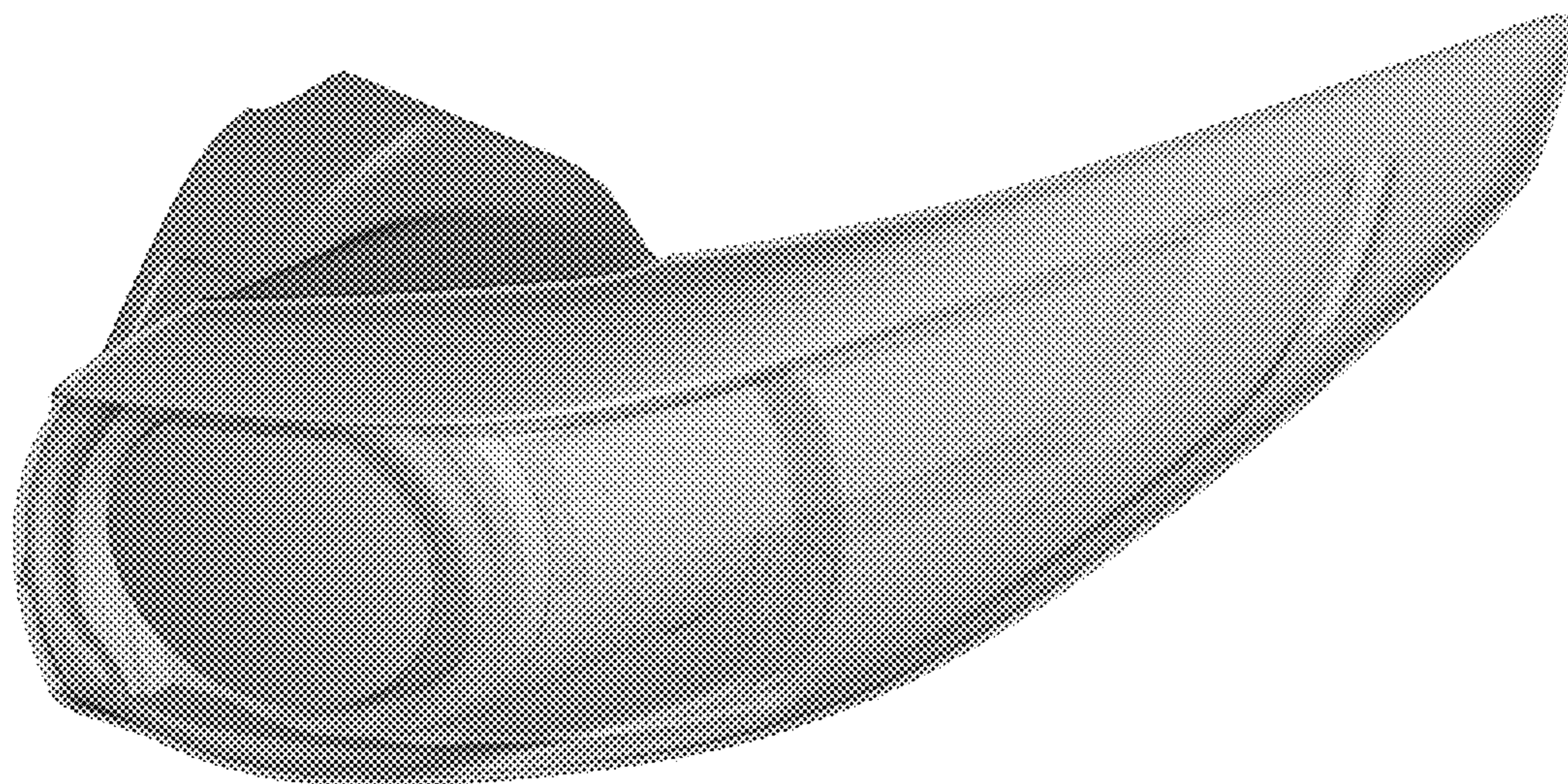


FIG. 2

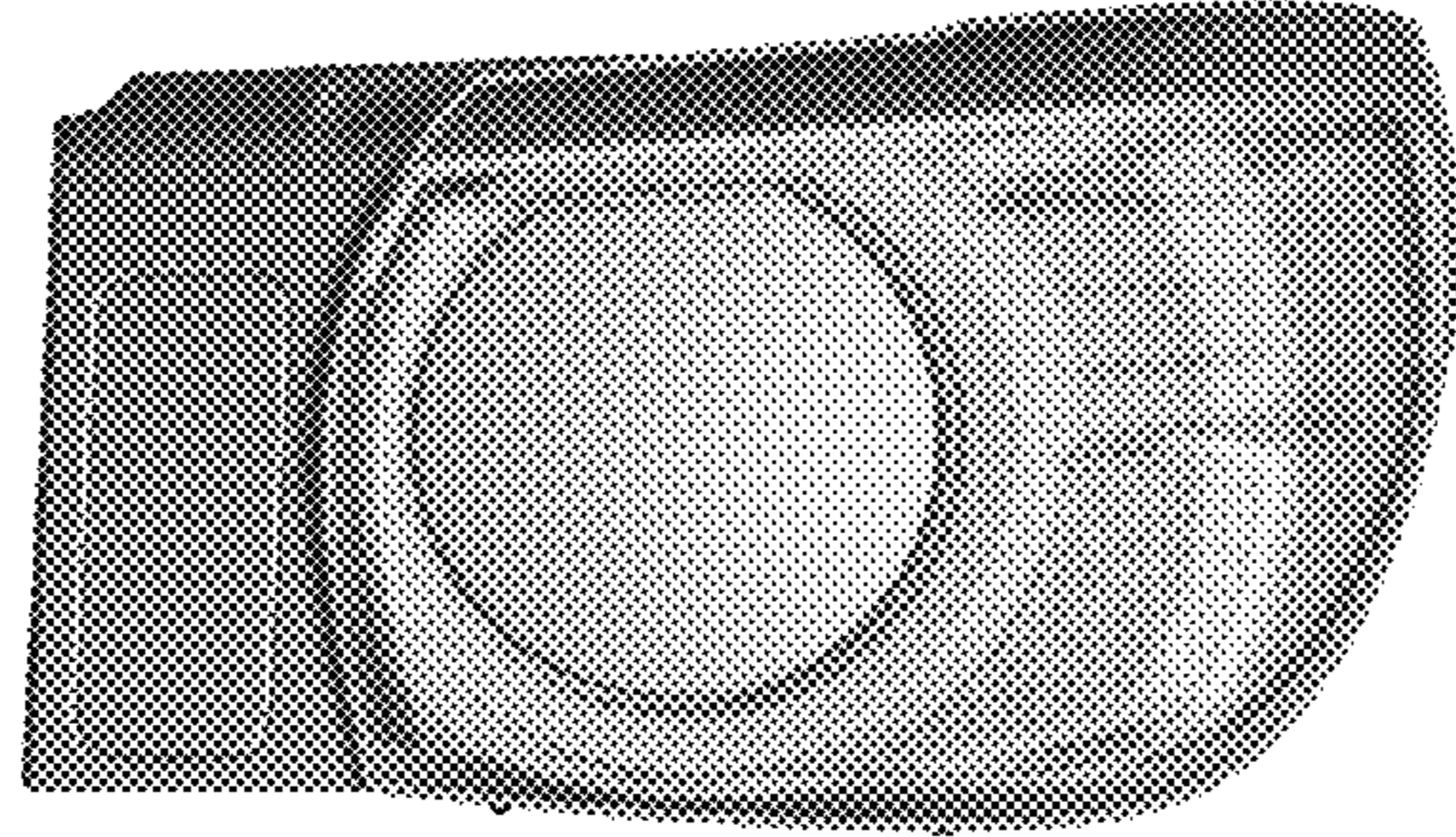


FIG. 3

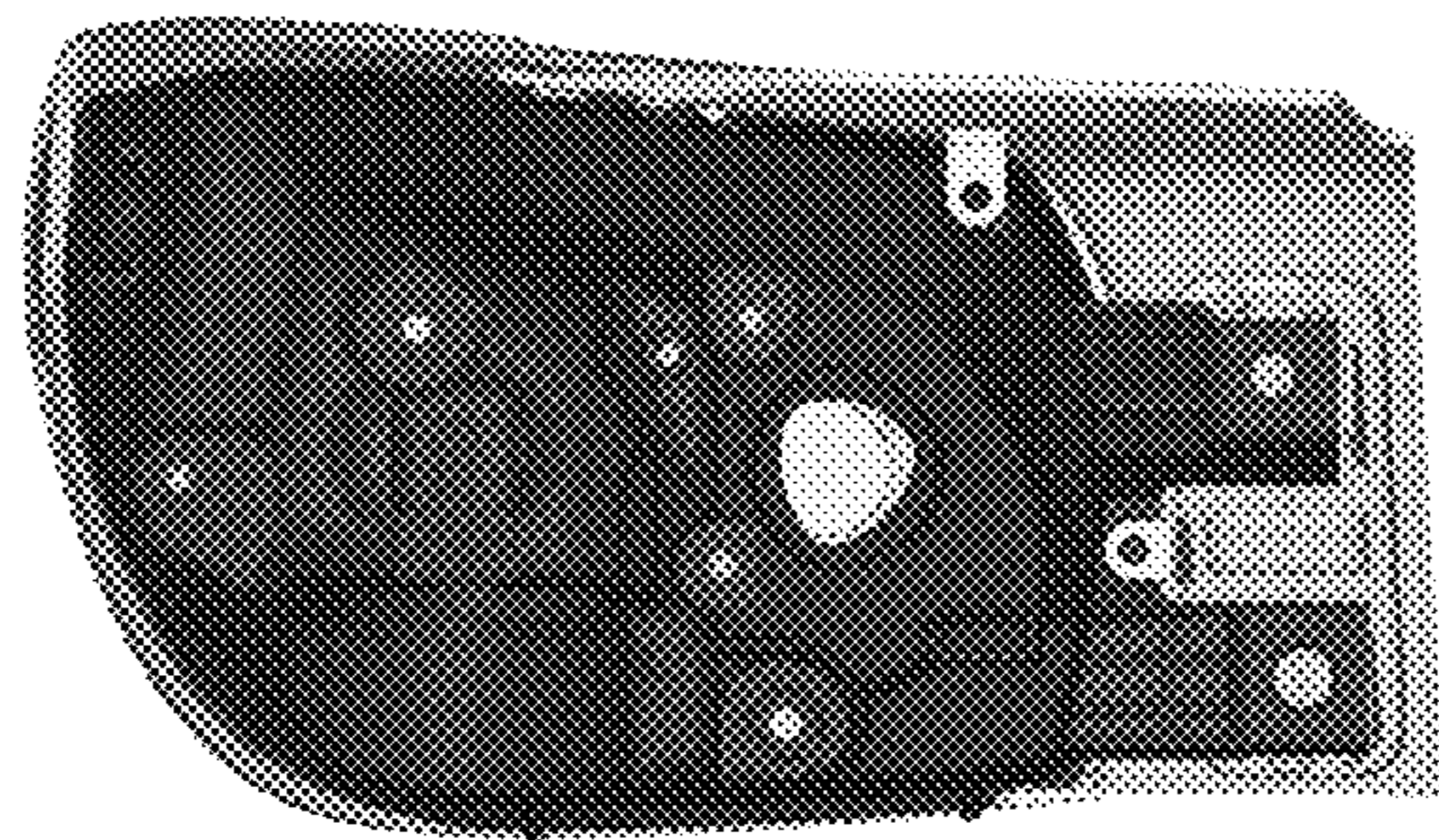


FIG. 4

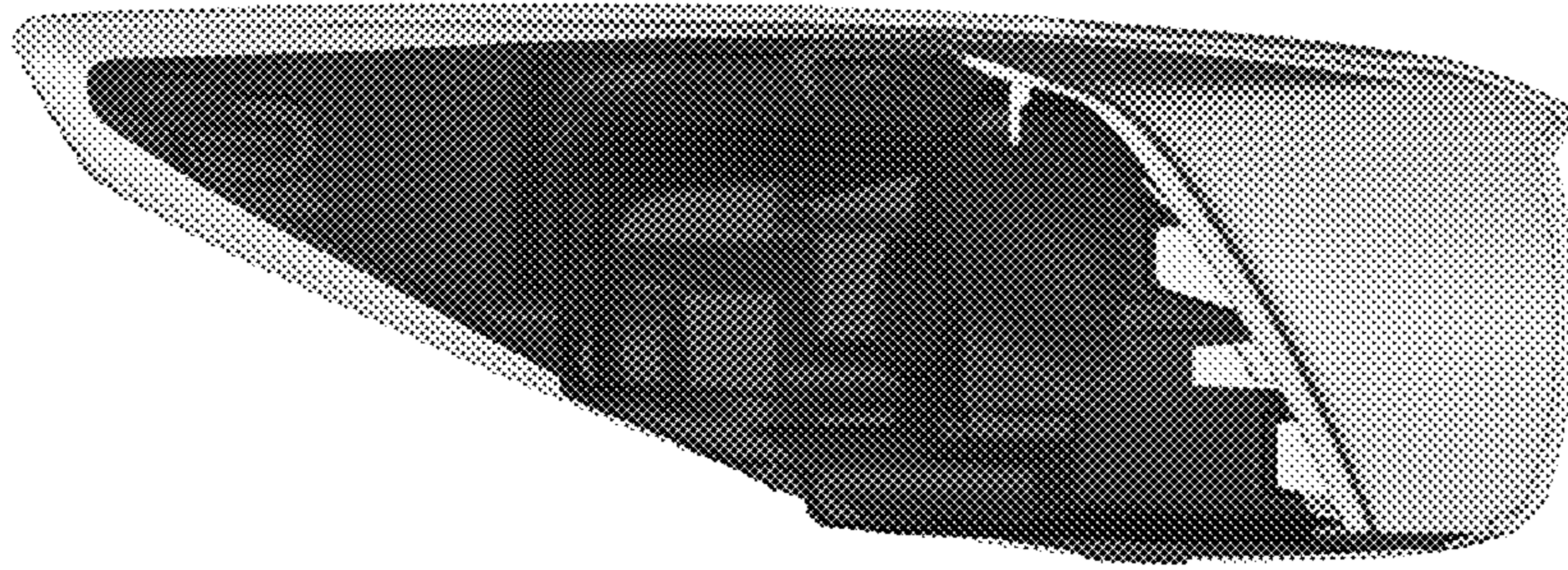


FIG. 5

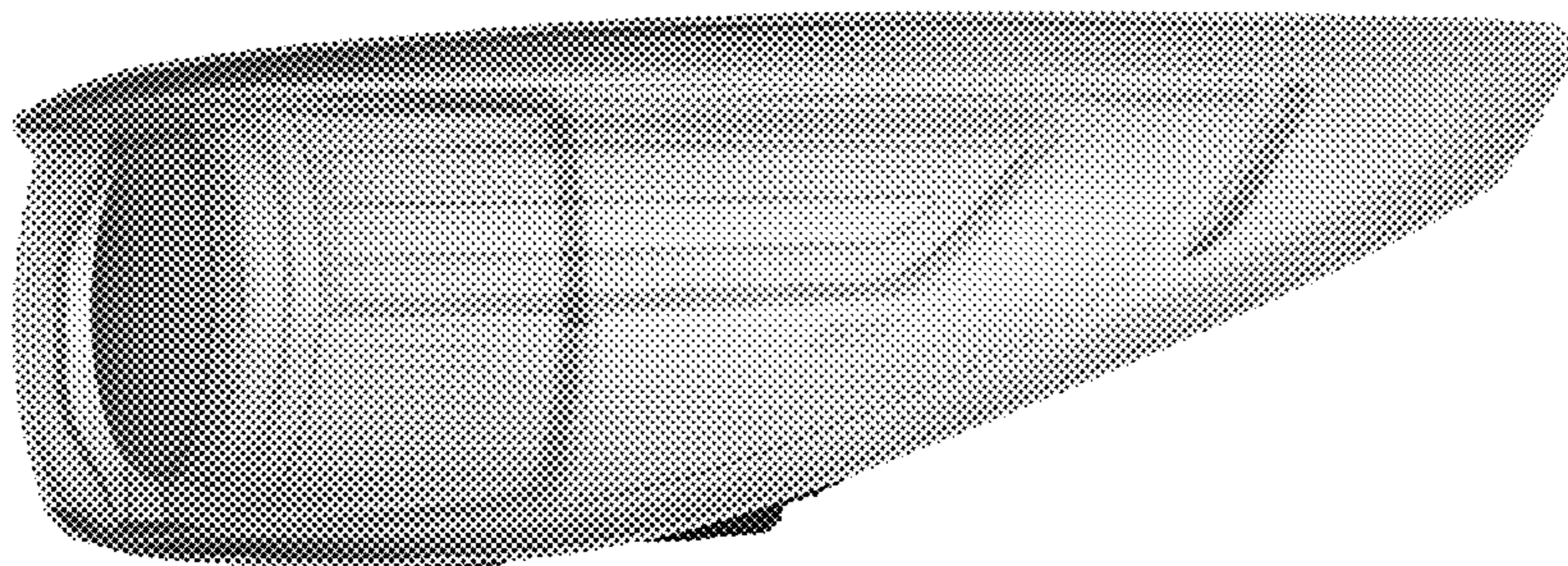


FIG. 6

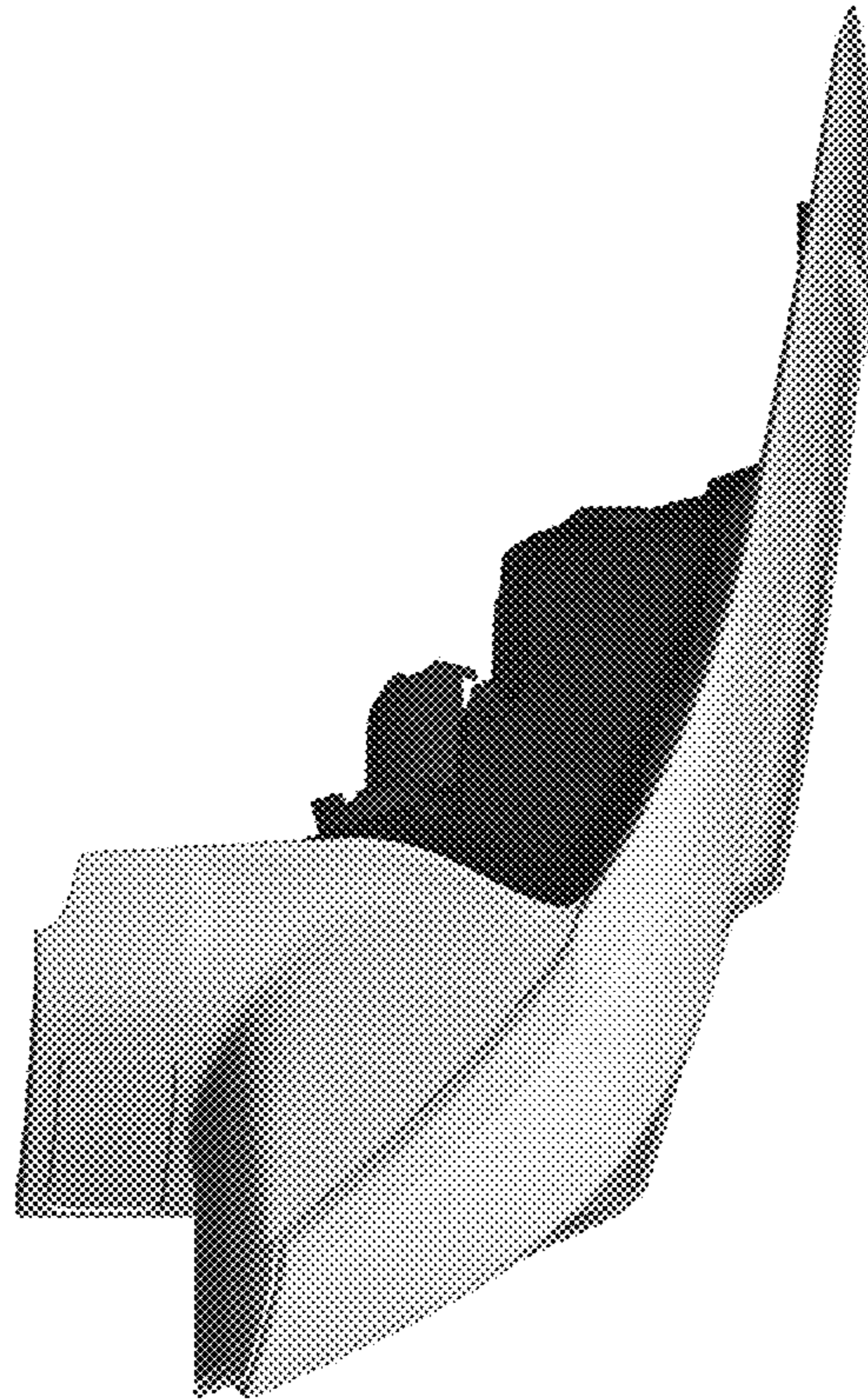


FIG. 7

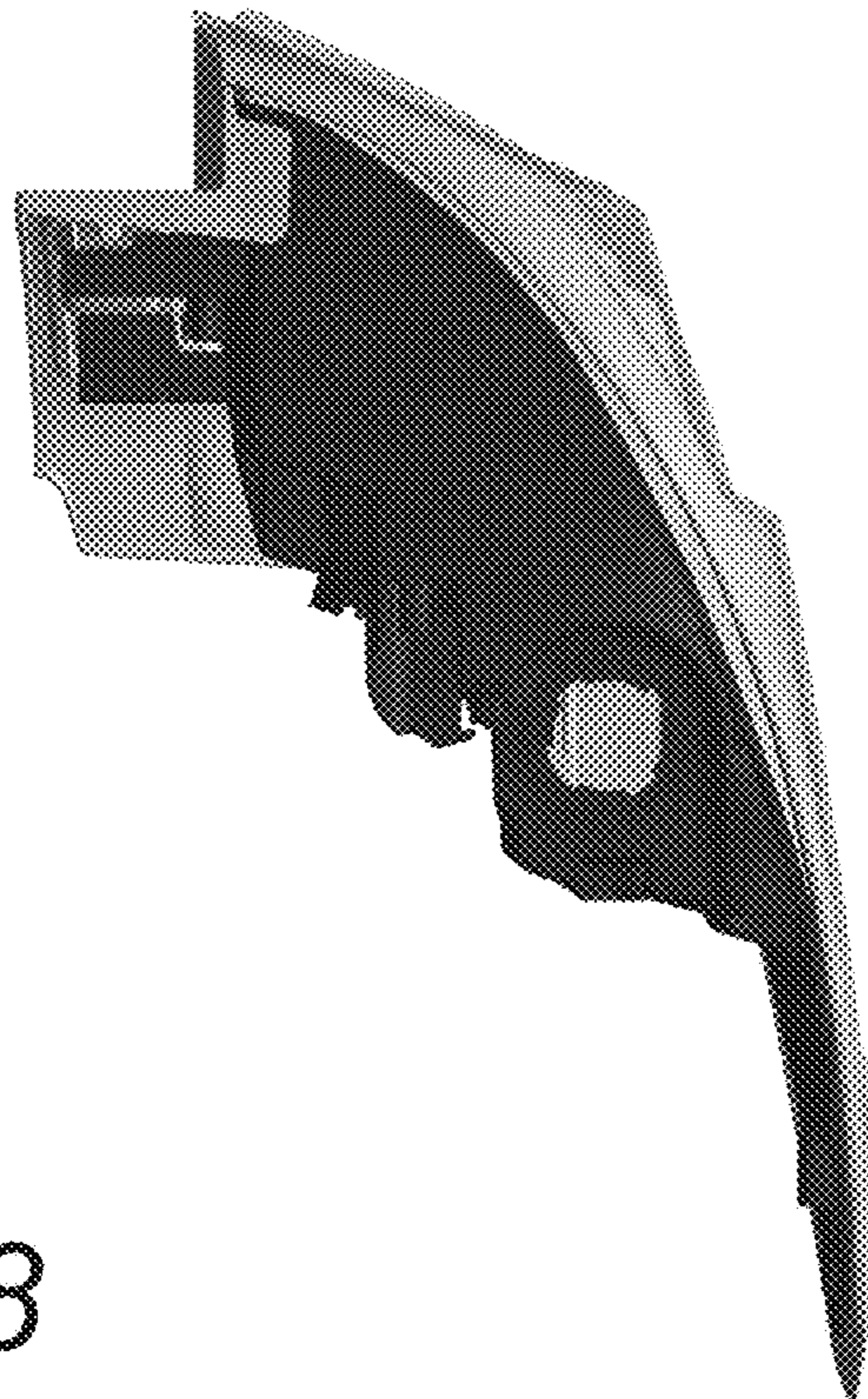


FIG. 8

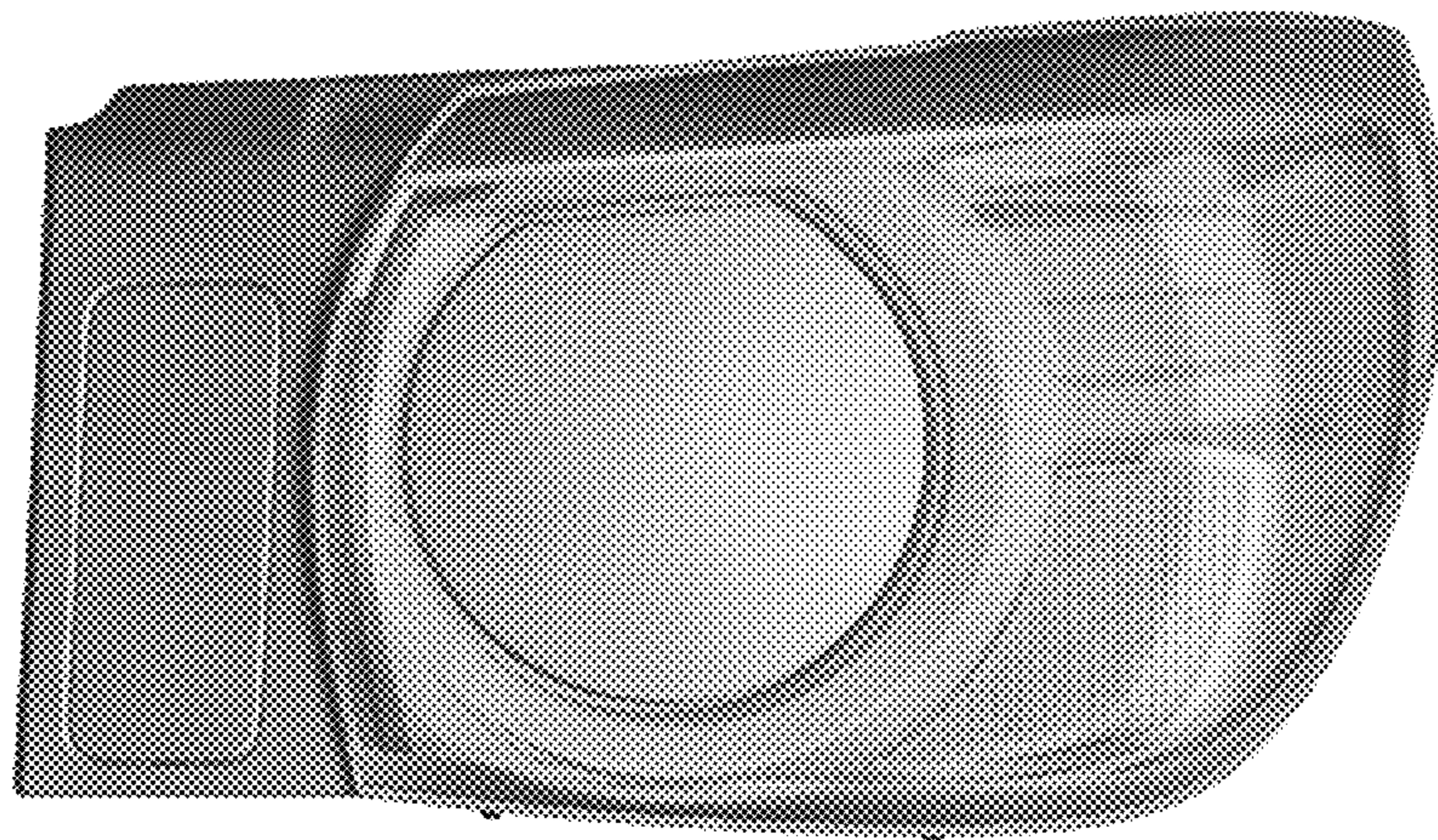


FIG.9