



US00D806284S

(12) **United States Design Patent**  
**Yamaguchi**

(10) **Patent No.:** **US D806,284 S**

(45) **Date of Patent:** **\*\* Dec. 26, 2017**

(54) **REAR COMBINATION LAMP FOR AN  
AUTOMOBILE**

(71) Applicant: **HONDA MOTOR CO., LTD.**, Tokyo  
(JP)

(72) Inventor: **Junichi Yamaguchi**, Wako (JP)

(73) Assignee: **HONDA MOTOR CO., LTD.**, Tokyo  
(JP)

(\*\*) Term: **15 Years**

(21) Appl. No.: **29/580,263**

(22) Filed: **Oct. 6, 2016**

(30) **Foreign Application Priority Data**

Apr. 12, 2016 (JP) ..... 2016-008099

(51) **LOC (10) Cl.** ..... **26-06**

(52) **U.S. Cl.**  
USPC ..... **D26/28**

(58) **Field of Classification Search**  
USPC ..... D26/28-36; 362/80-83, 267-269,  
362/459-468, 475-478, 485-487  
CPC ..... F21S 48/00; F21S 48/10; F21S 48/115;  
F21S 48/1233; F21S 48/1266; F21S  
48/1388; F21S 48/2268; F21V 21/04  
See application file for complete search history.

(56) **References Cited**

**U.S. PATENT DOCUMENTS**

D520,153 S \* 5/2006 Otto ..... D26/28  
D541,444 S \* 4/2007 Lamarre ..... D26/28

D607,589 S \* 1/2010 Mattin ..... D26/28  
D632,812 S \* 2/2011 Matsumoto ..... D26/28  
D656,642 S \* 3/2012 Shimada ..... D26/28  
D736,439 S \* 8/2015 Kamiura ..... D26/28  
D746,493 S \* 12/2015 Watanuki ..... D26/28

\* cited by examiner

*Primary Examiner* — Marcus Jackson

(74) *Attorney, Agent, or Firm* — Westerman, Hattori,  
Daniels & Adrian

(57) **CLAIM**

The ornamental design for a rear combination lamp for an automobile, as shown and described.

**DESCRIPTION**

FIG. 1 is a perspective view from a front side of a rear combination lamp for an automobile;  
FIG. 2 is a perspective view from a rear side thereof;  
FIG. 3 is a front elevation view thereof;  
FIG. 4 is a top plan view thereof;  
FIG. 5 is a bottom plan view thereof; and,  
FIG. 6 is a left side elevation view thereof.  
The broken lines in the drawings illustrate portions of the rear combination lamp for an automobile that forms no part of the claimed design.

**1 Claim, 6 Drawing Sheets**

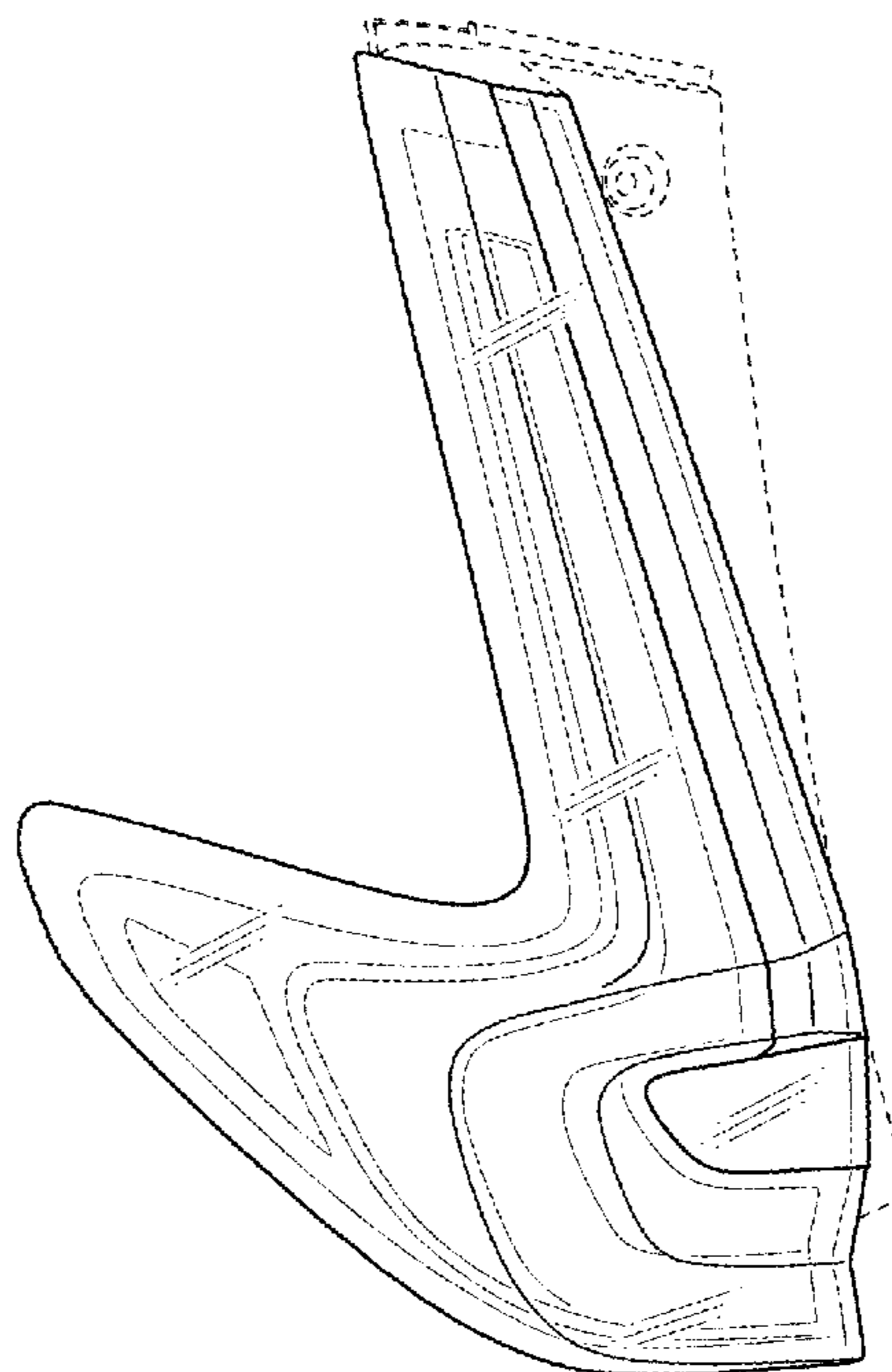


FIG. 1

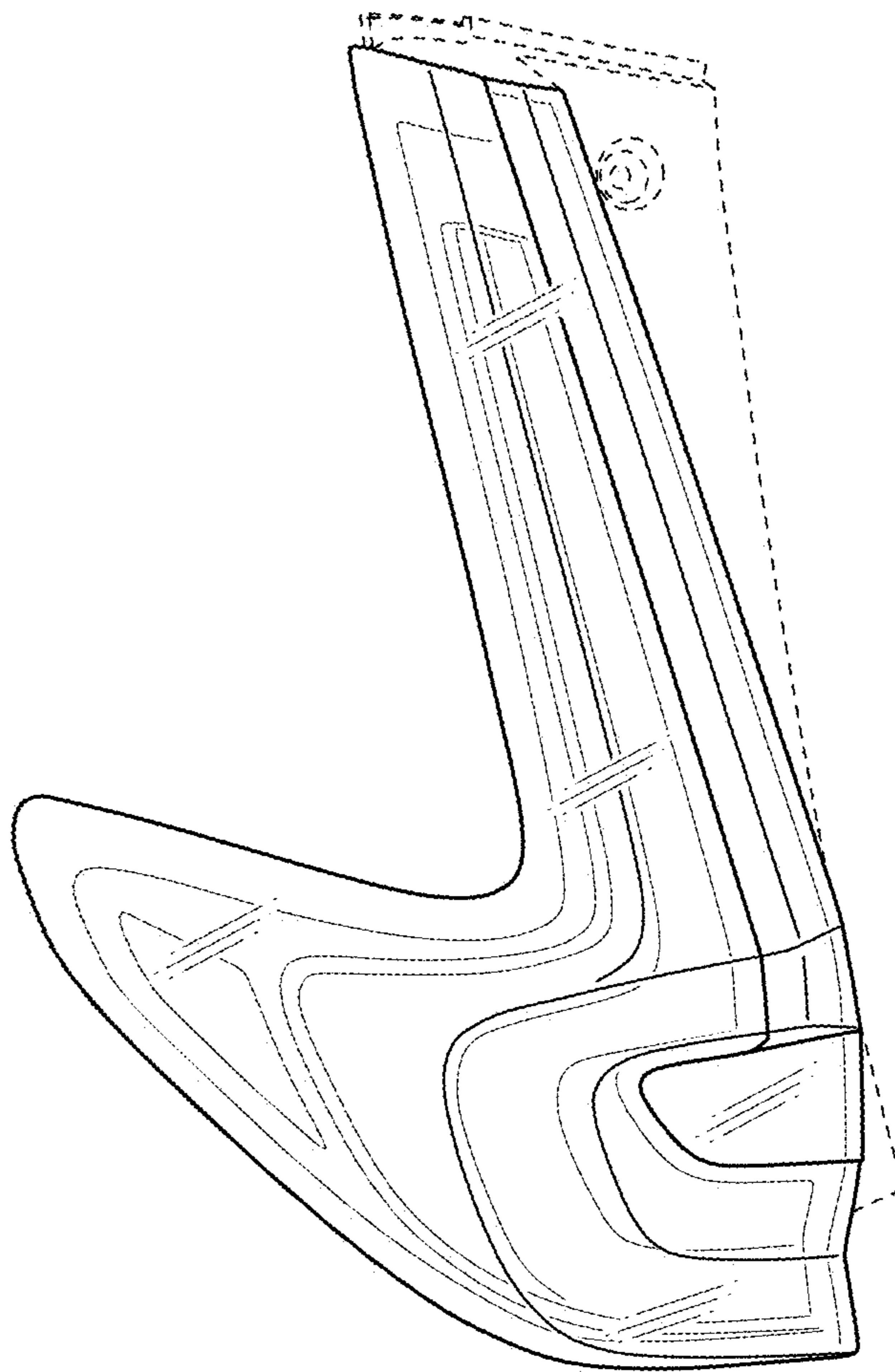


FIG. 2

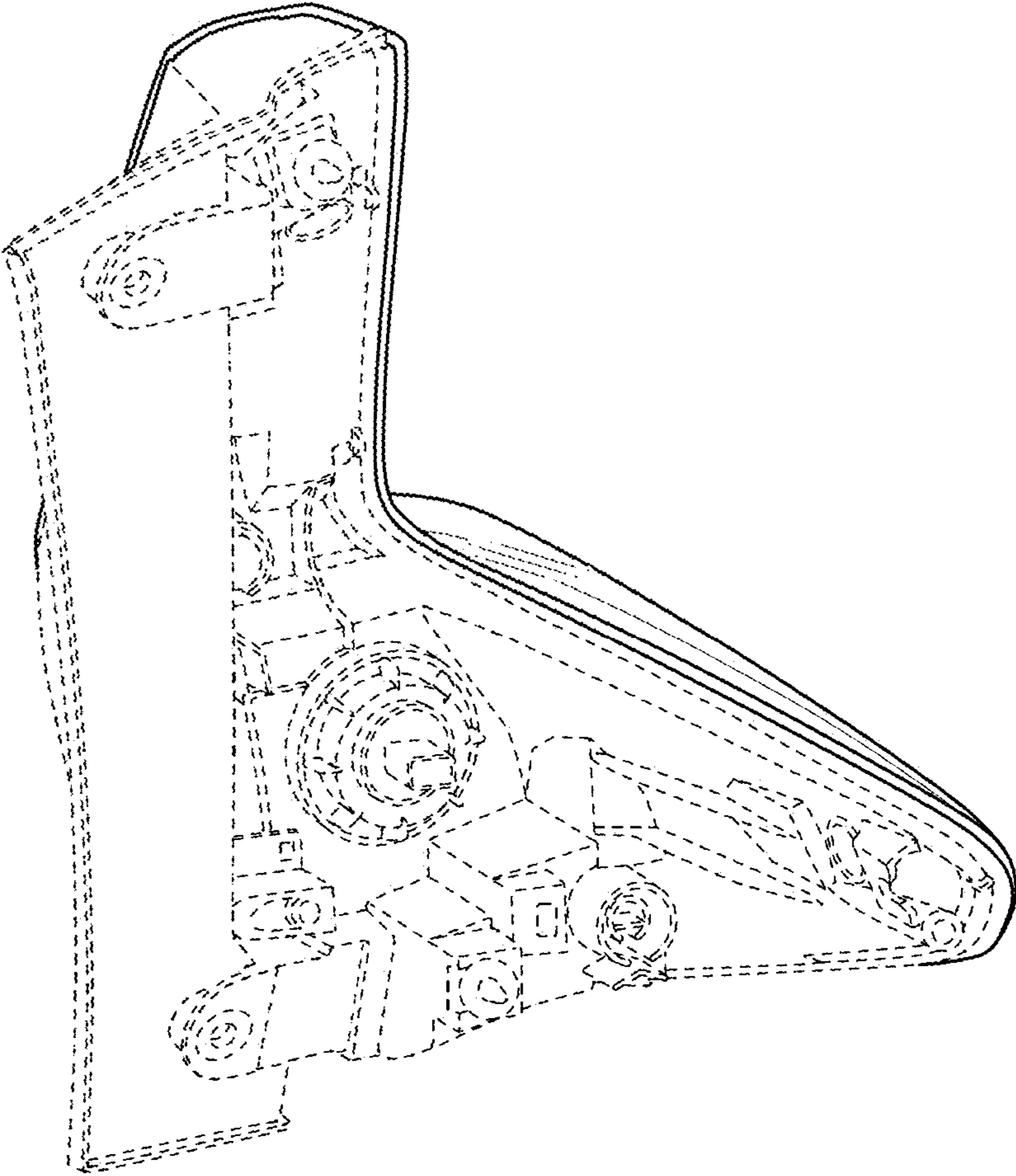


FIG. 3

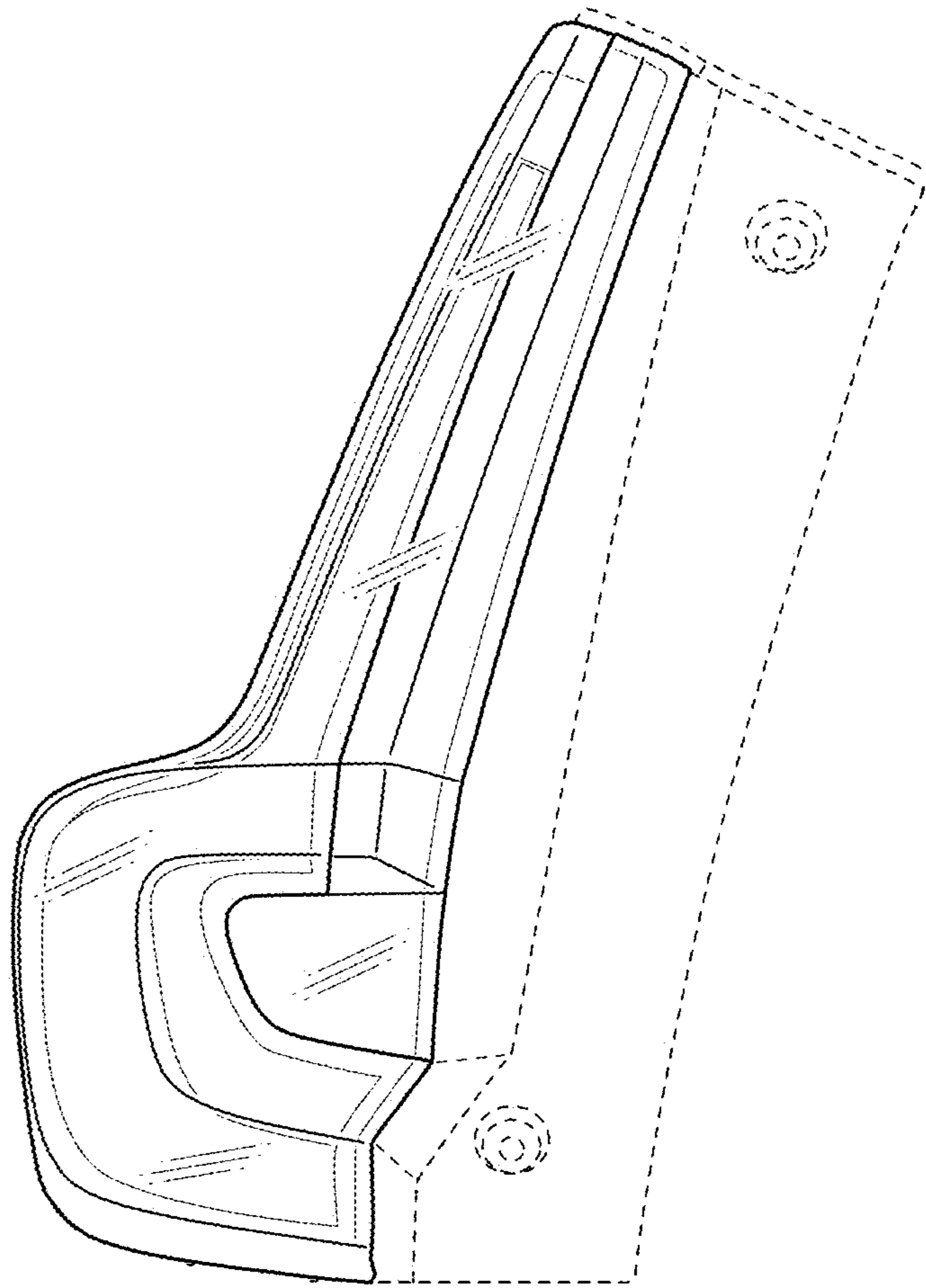


FIG. 4

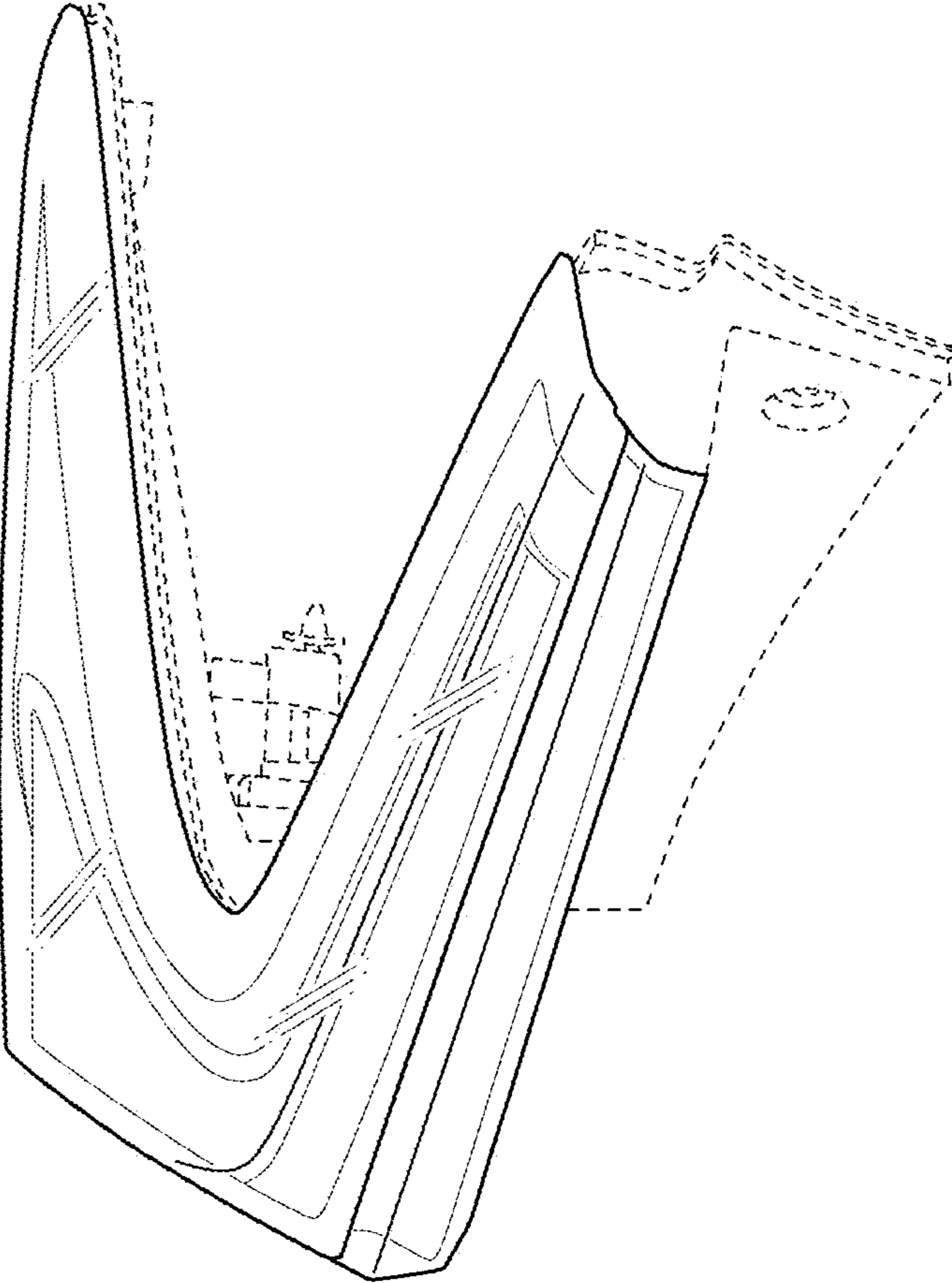


FIG. 5

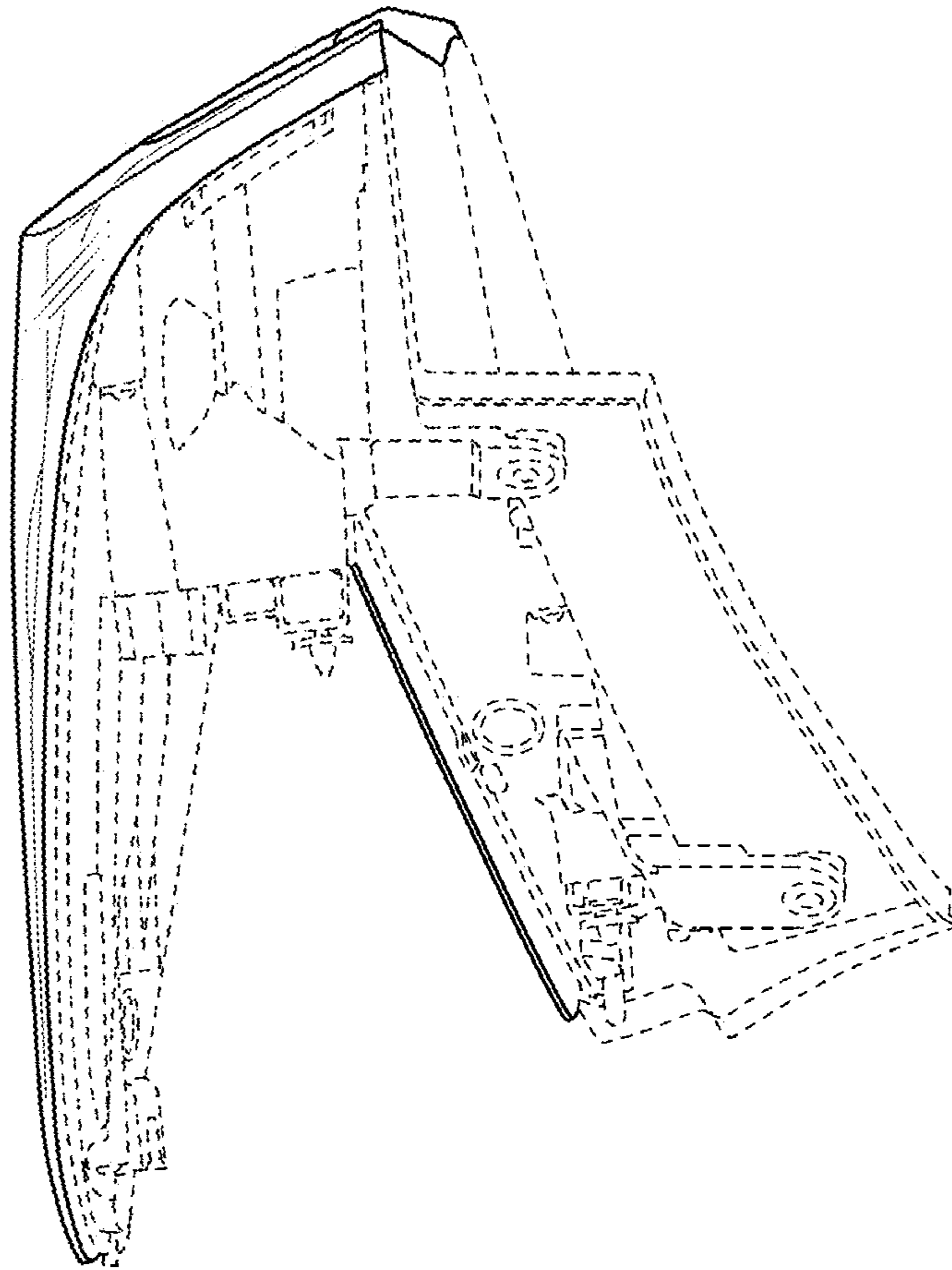


FIG. 6

