



US00D806282S

(12) **United States Design Patent** (10) **Patent No.:** **US D806,282 S**
Burke (45) **Date of Patent:** **** Dec. 26, 2017**

- (54) **NIGHT LIGHT**
- (71) Applicant: **Jasco Products Company LLC**,
Oklahoma City, OK (US)
- (72) Inventor: **Marde Burke**, Oklahoma City, OK
(US)
- (73) Assignee: **Jasco Products Company LLC**,
Oklahoma City, OK (US)
- (**) Term: **15 Years**
- (21) Appl. No.: **29/595,981**
- (22) Filed: **Mar. 3, 2017**
- (51) **LOC (10) Cl.** **26-05**
- (52) **U.S. Cl.**
USPC **D26/26**
- (58) **Field of Classification Search**
USPC D26/26, 24, 113, 118, 119, 120;
D23/366, 367, 369; 362/640, 641, 642,
362/643, 644, 650, 651, 652, 653, 659
CPC F21S 8/035; F21V 23/06; F21V 23/0442;
F21W 2121/00; H01R 2103/00
See application file for complete search history.

D380,564 S *	7/1997	Yuen	D26/26
D426,328 S *	6/2000	Yuen	D26/26
D431,660 S *	10/2000	Yuen	D26/26
D524,956 S *	7/2006	Chan	D26/26
D618,831 S *	6/2010	Pennington	D26/26
D642,709 S *	8/2011	Kang	D26/26
D677,811 S *	3/2013	Maxik	D26/26
D720,092 S *	12/2014	Trice	D26/26
D772,441 S *	11/2016	Burke	D26/26
2002/0163796 A1 *	11/2002	Dickie	B60Q 1/12 362/40

* cited by examiner

Primary Examiner — Angela J Lee

(74) *Attorney, Agent, or Firm* — Resolution Legal Group;
Bruce LaBrie

(57) **CLAIM**

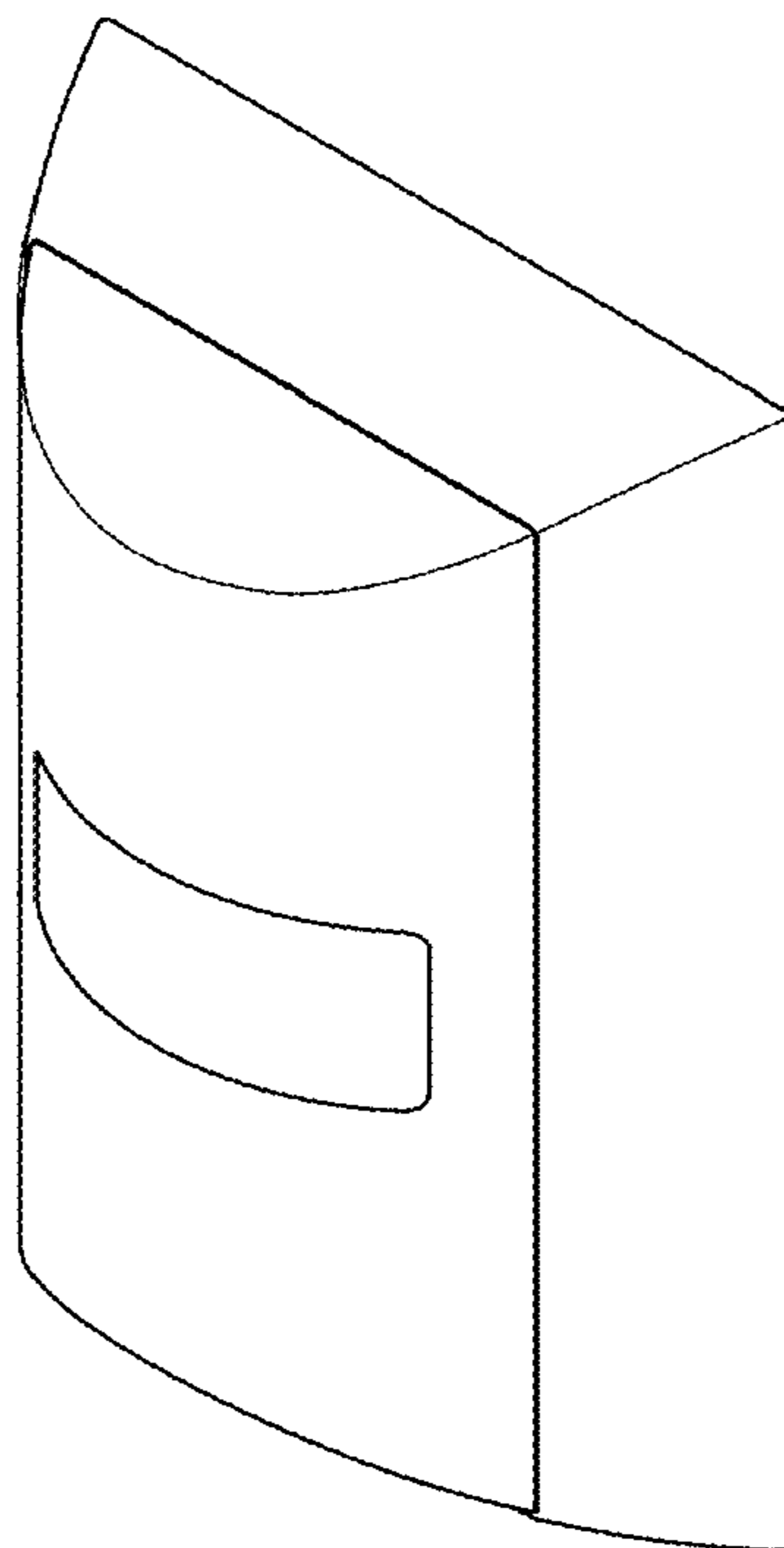
The ornamental design for a night light, as shown and described.

DESCRIPTION

FIG. 1 is a front elevational view of a night light showing my new design;
 FIG. 2 is a left elevational view thereof;
 FIG. 3 is a top plan view thereof;
 FIG. 4 is a bottom plan view thereof;
 FIG. 5 is a front perspective view thereof;
 FIG. 6 is a right elevational view thereof; and,
 FIG. 7 is a rear elevational view thereof.
 The structural features depicted by broken lines have been shown for the purpose of illustrating portions of the night light that form no part of the claimed design.

1 Claim, 2 Drawing Sheets

- (56) **References Cited**
U.S. PATENT DOCUMENTS
D323,898 S * 2/1992 Schwartz D26/26
D343,015 S * 1/1994 Yuen D26/26
D350,407 S * 9/1994 Yuen D26/26



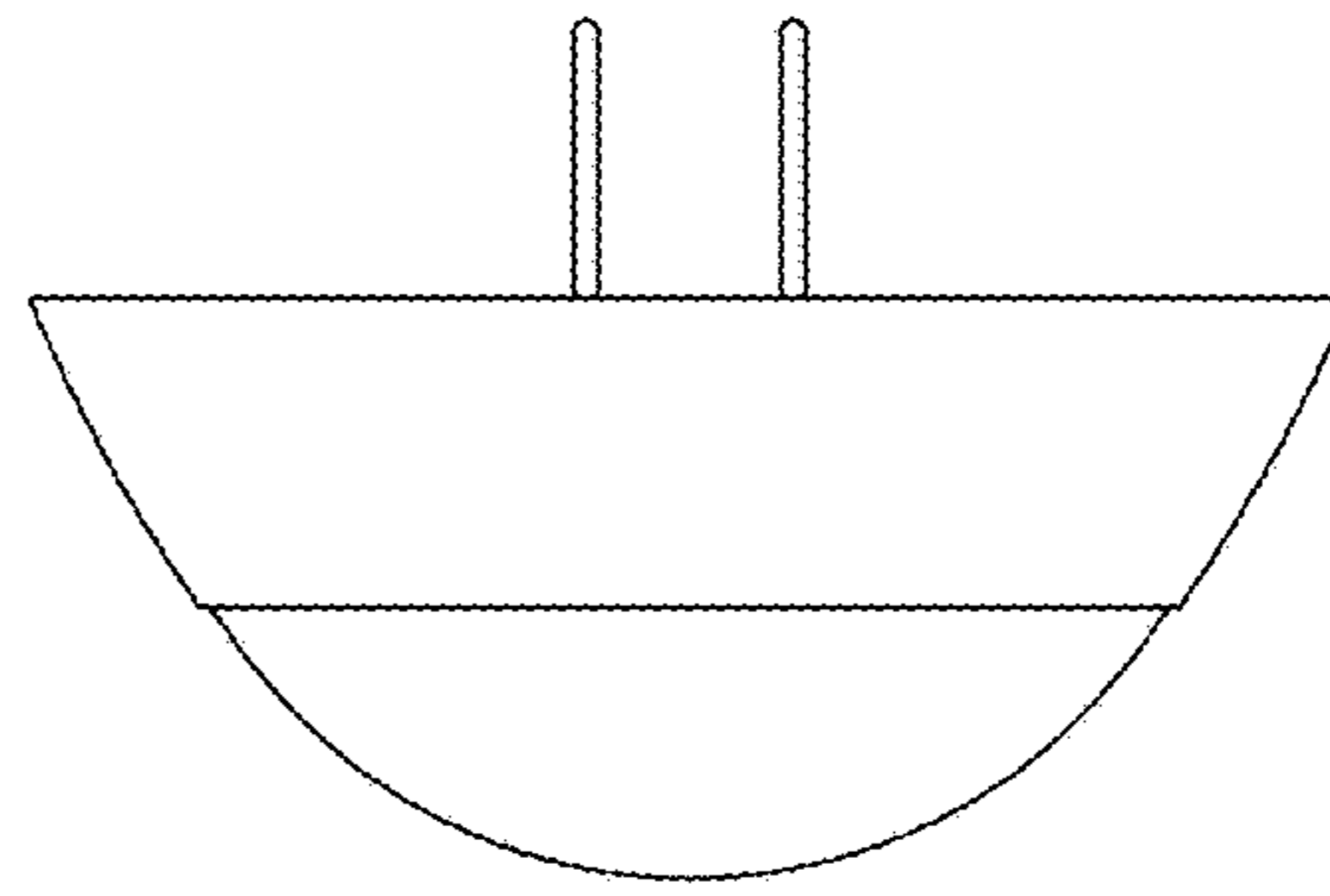


FIG. 3

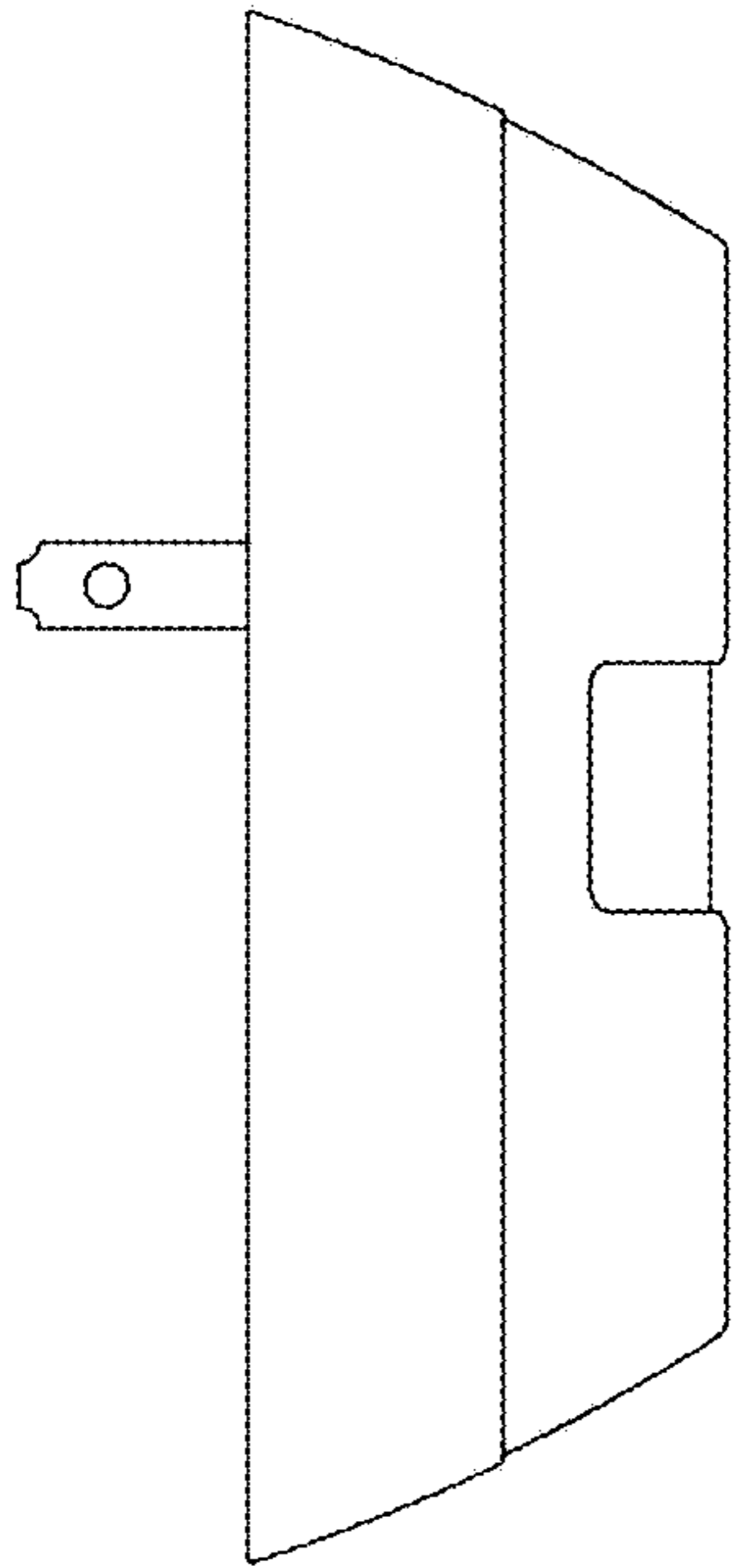


FIG. 2

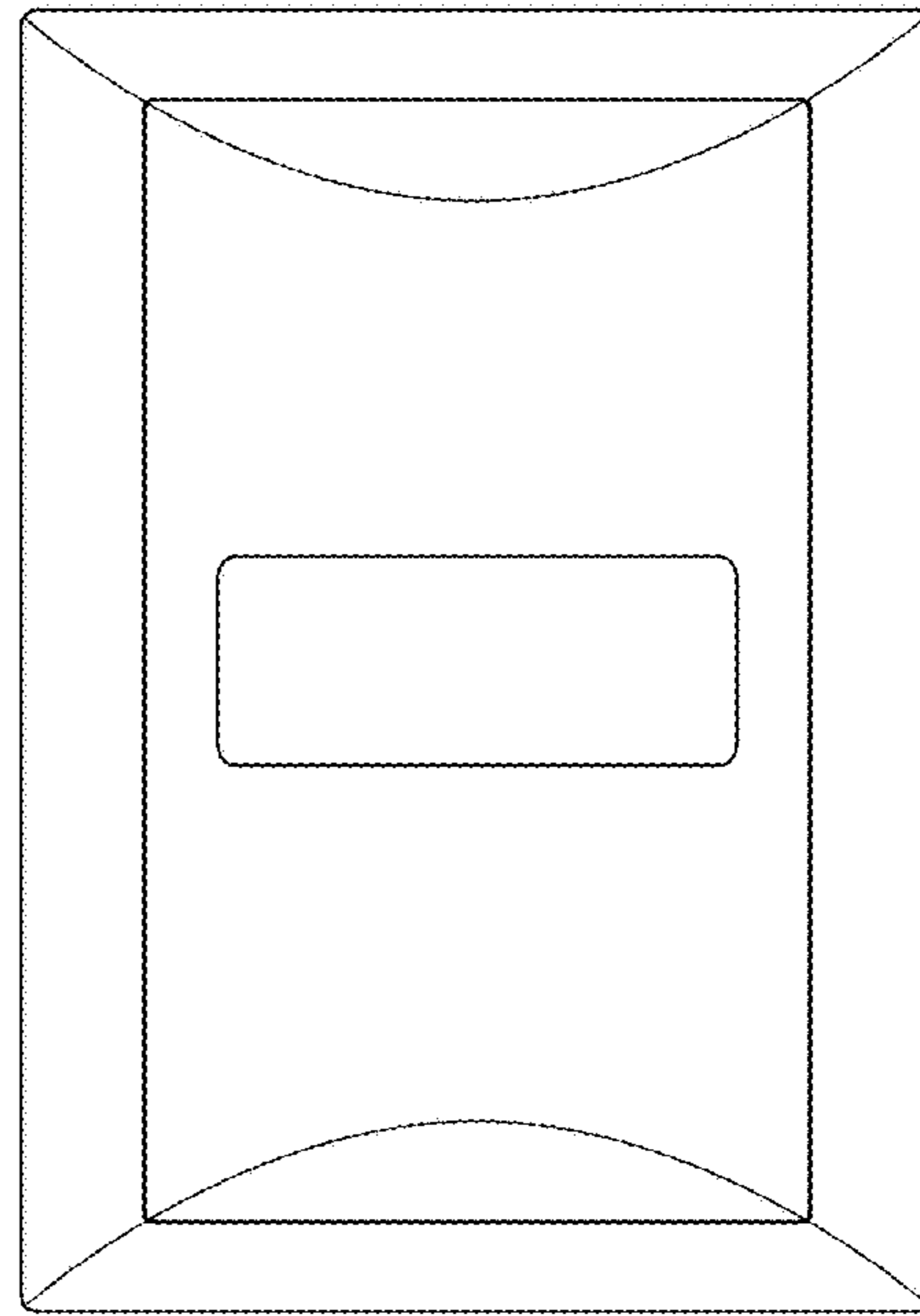


FIG. 1

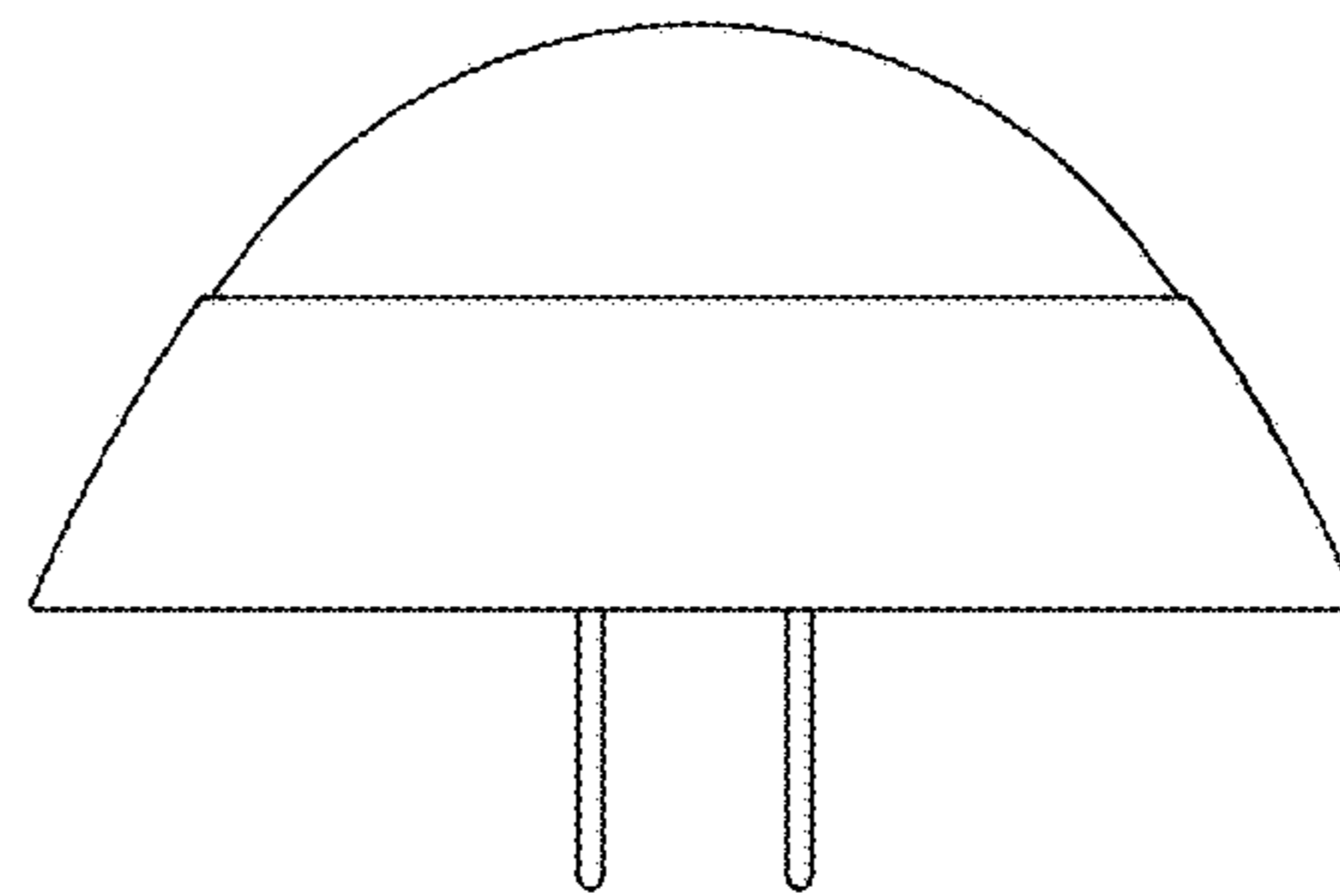


FIG. 4

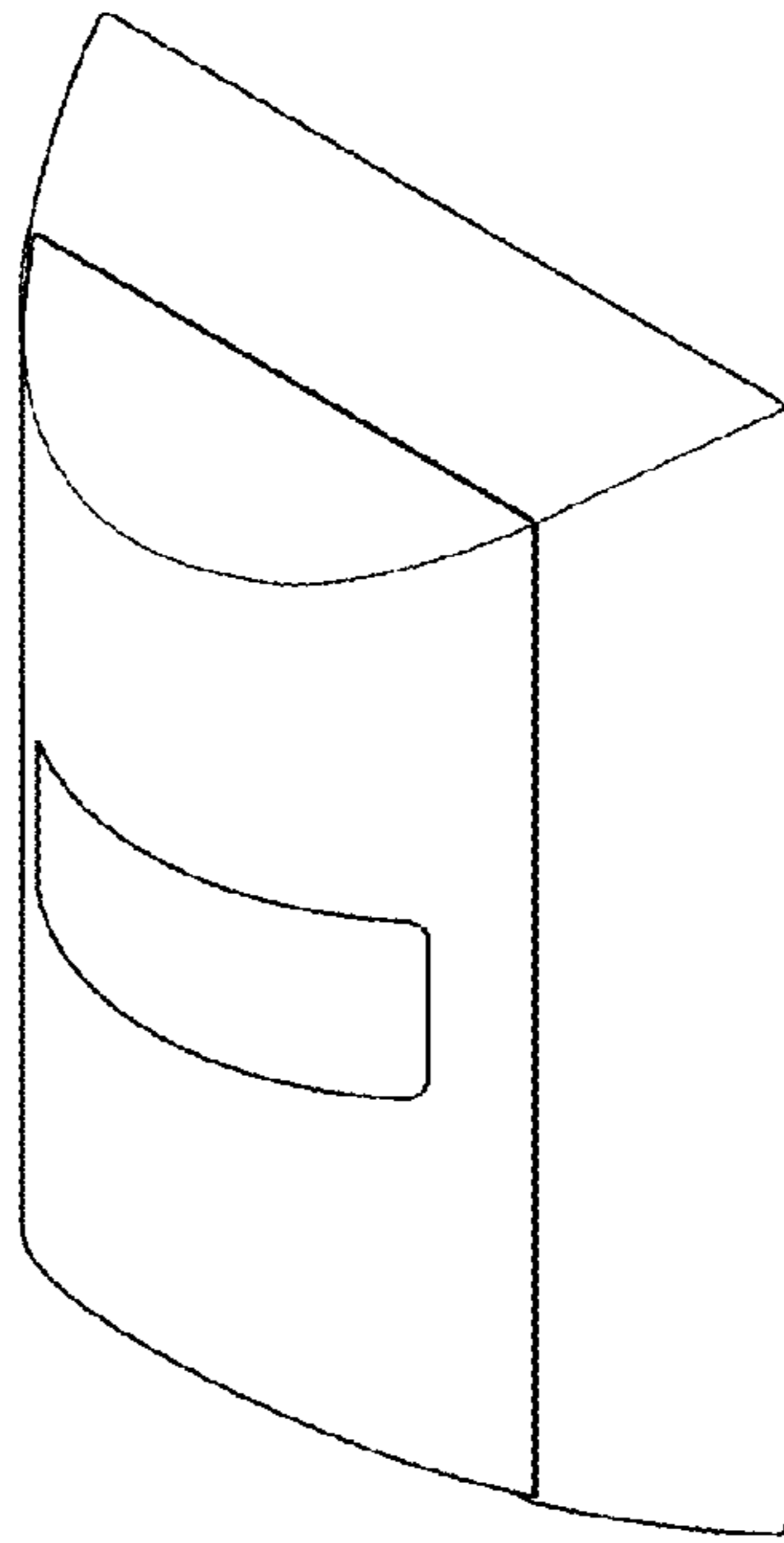


FIG. 5

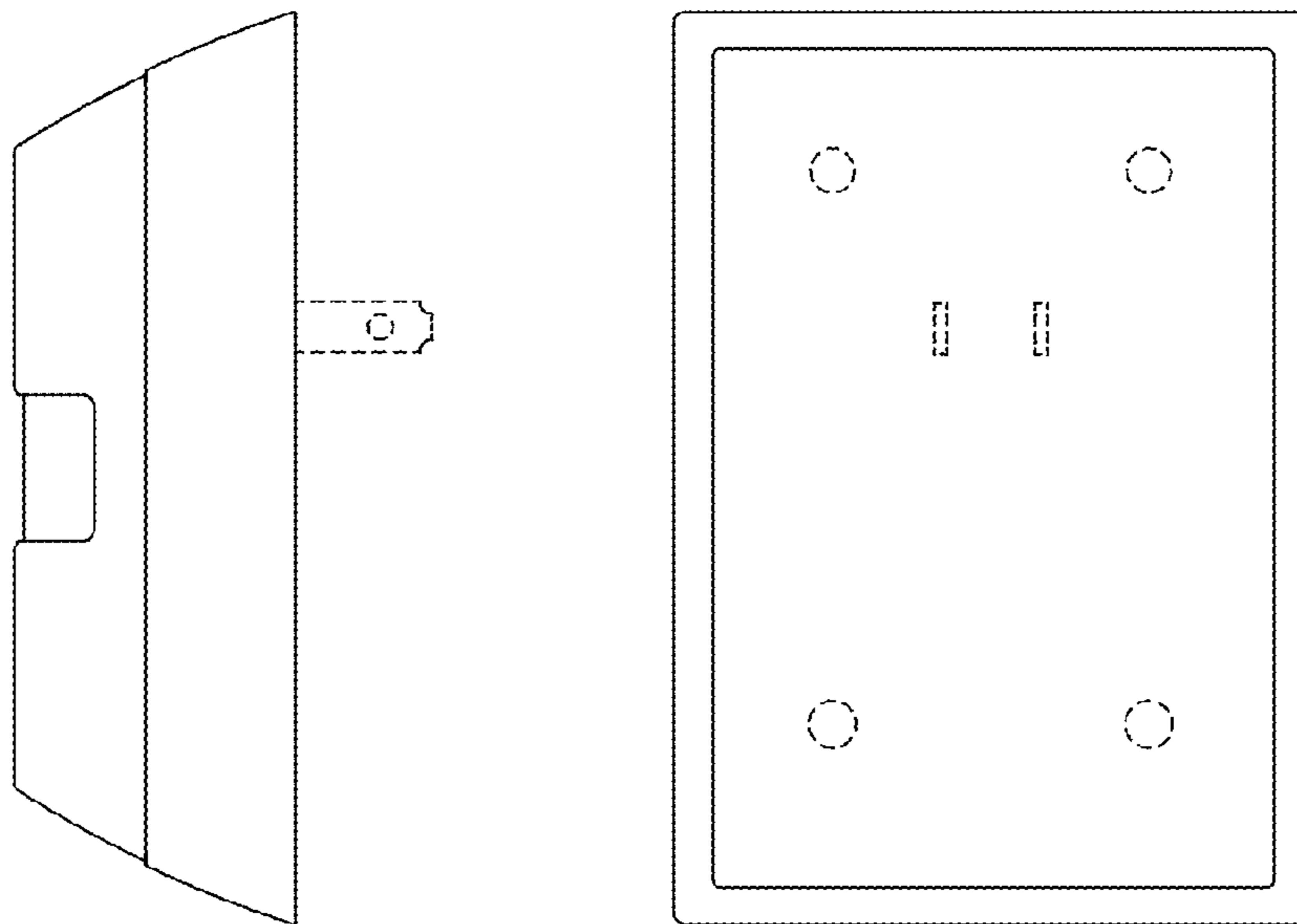


FIG. 6

FIG. 7